



US00D344660S

United States Patent [19]

[11] Patent Number: **Des. 344,660**

Krupa

[45] Date of Patent: **** Mar. 1, 1994**

[54] **SNACK FOOD CONTAINER WITH LID**

D. 304,658	11/1989	Mattel	D7/552	X
D. 338,373	8/1993	Sun	D7/538	X
4,351,164	9/1982	Christiani	D7/629	X

[75] Inventor: **Calvin S. Krupa**, Plymouth, Minn.

[73] Assignee: **Ultra Pac, Inc.**, Rogers, Minn.

[**] Term: **14 Years**

Primary Examiner—Terry A. Wallace
Attorney, Agent, or Firm—Haugen and Nikolai

[21] Appl. No.: **919,122**

[57] **CLAIM**

[22] Filed: **Jul. 27, 1992**

The ornamental design for the snack food container with lid, as shown and described.

[52] U.S. Cl. **D7/629; D7/539; D9/320**

DESCRIPTION

[58] **Field of Search** **D7/504, 538-542, D7/550-557, 571, 601-602, 629; 220/306, 912, 428; D9/307, 319, 320, 414**

FIG. 1 is a perspective view of the snack food container with lid showing my new design;
FIG. 2 is a top plan view thereof;
FIG. 3 is a front elevational view thereof;
FIG. 4 is a rear elevational view thereof;
FIG. 5 is a side elevational view thereof, the opposite side being a mirror image; and,
FIG. 6 is a bottom plan view thereof.

[56] **References Cited**

U.S. PATENT DOCUMENTS

D. 254,166 2/1980 Christian D7/629

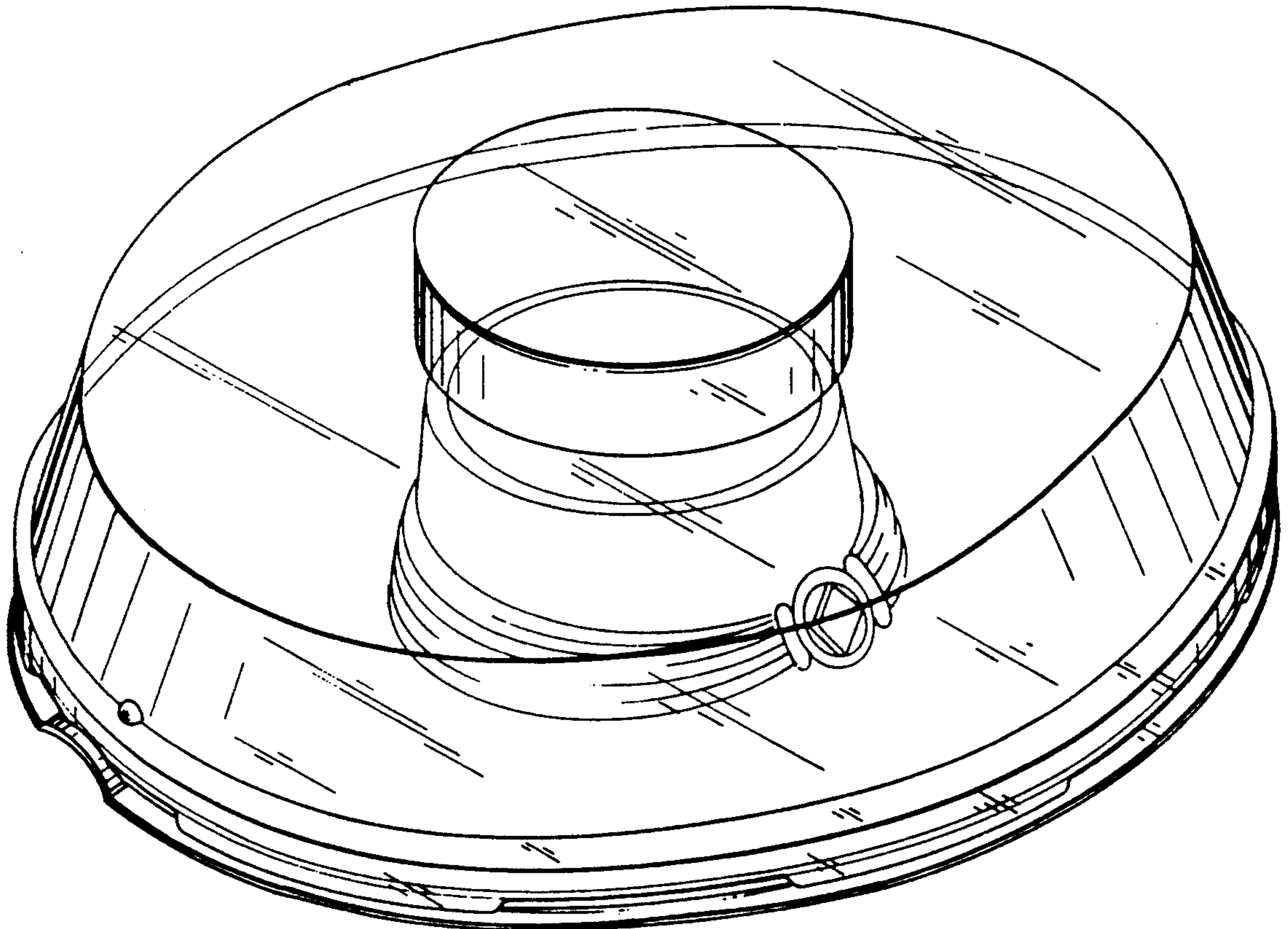


Fig.-1

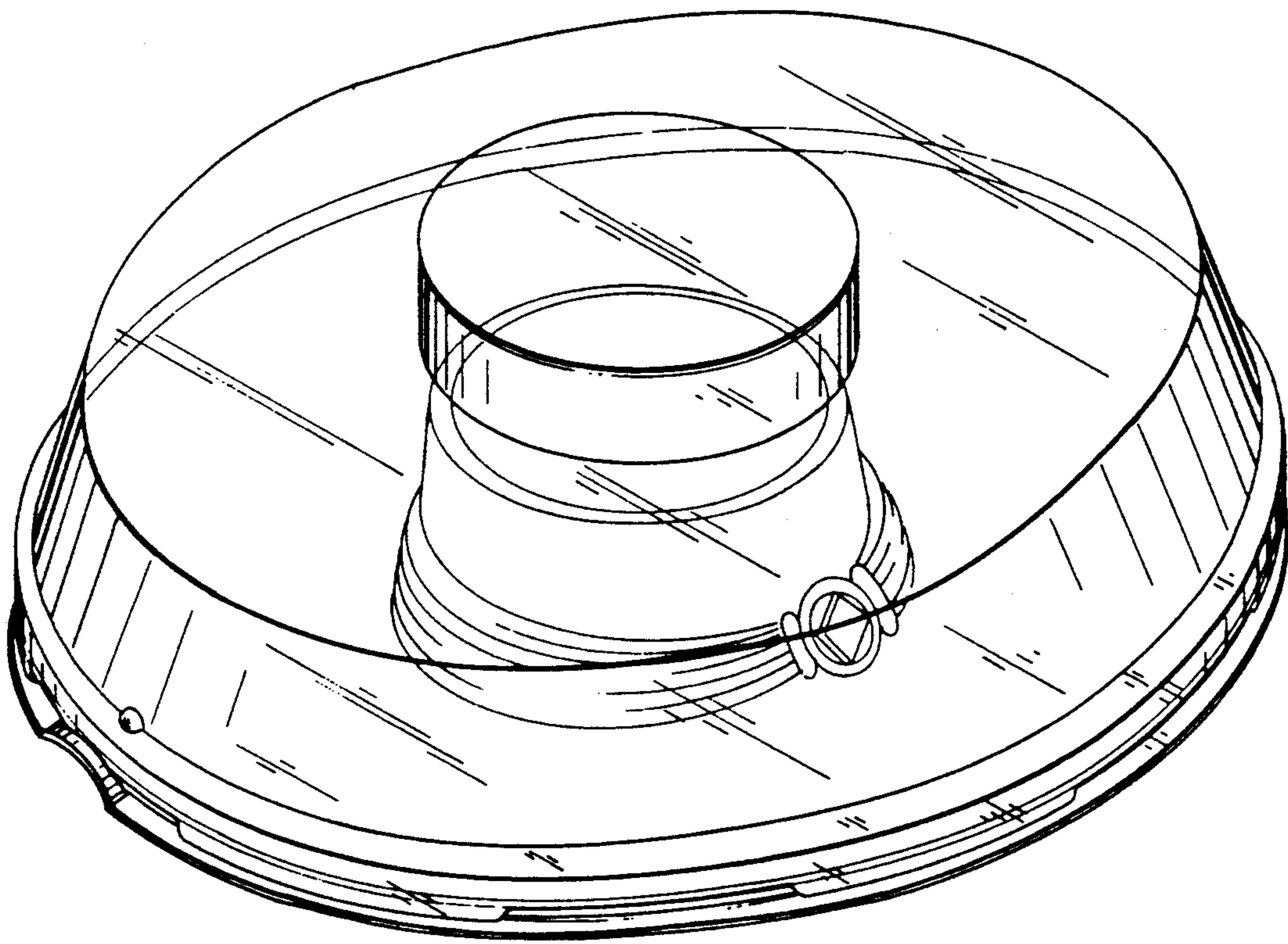


Fig.-2

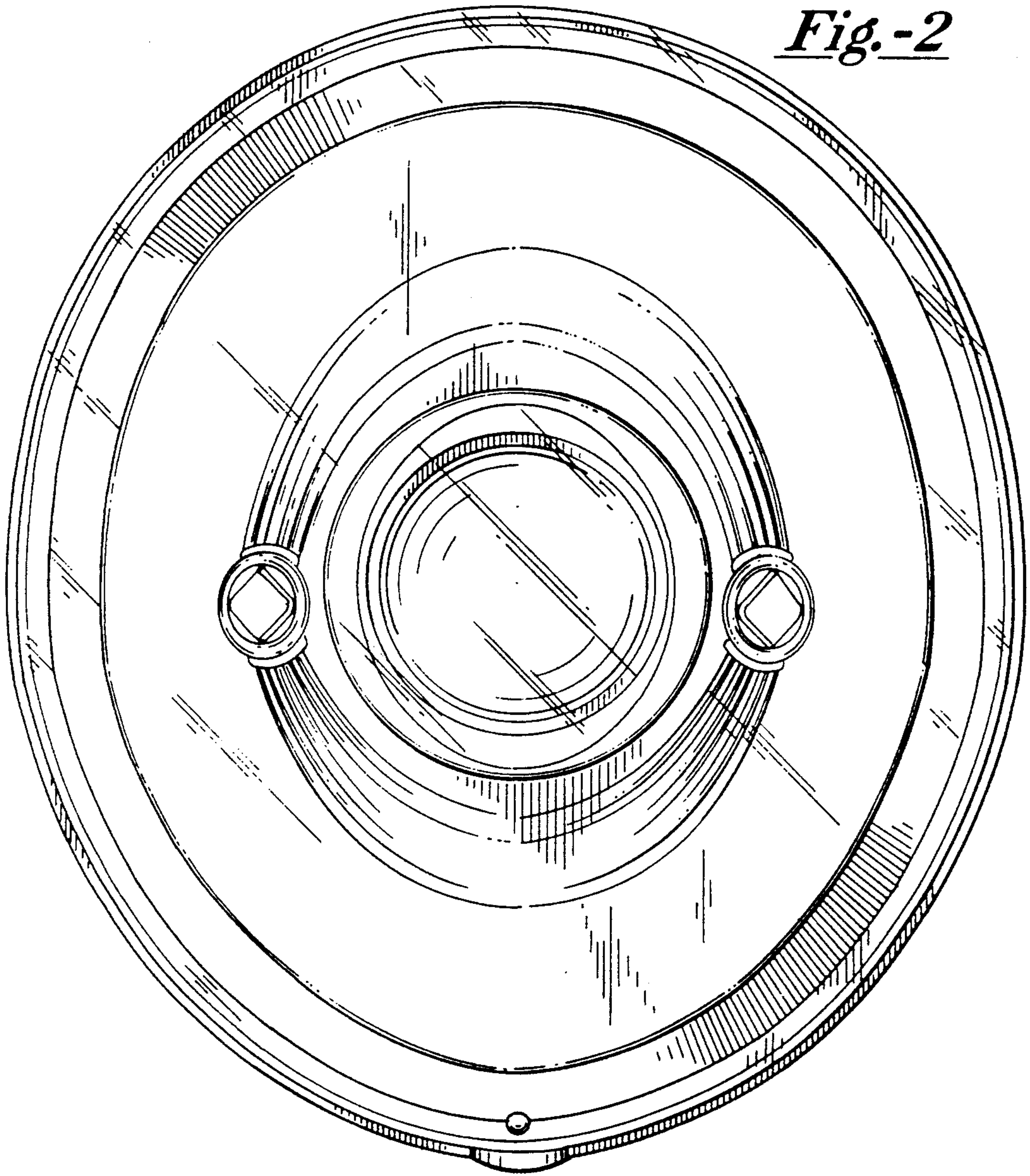


Fig.-3

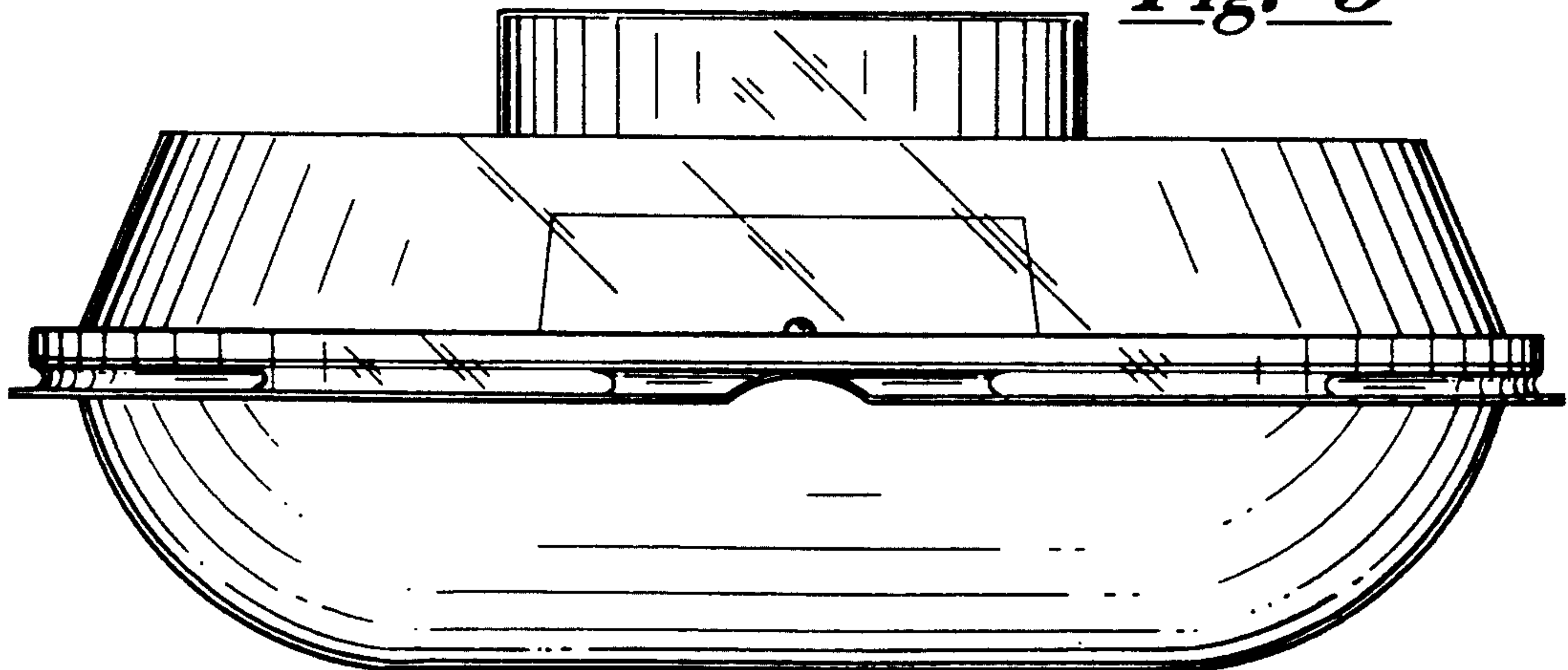


Fig.-4

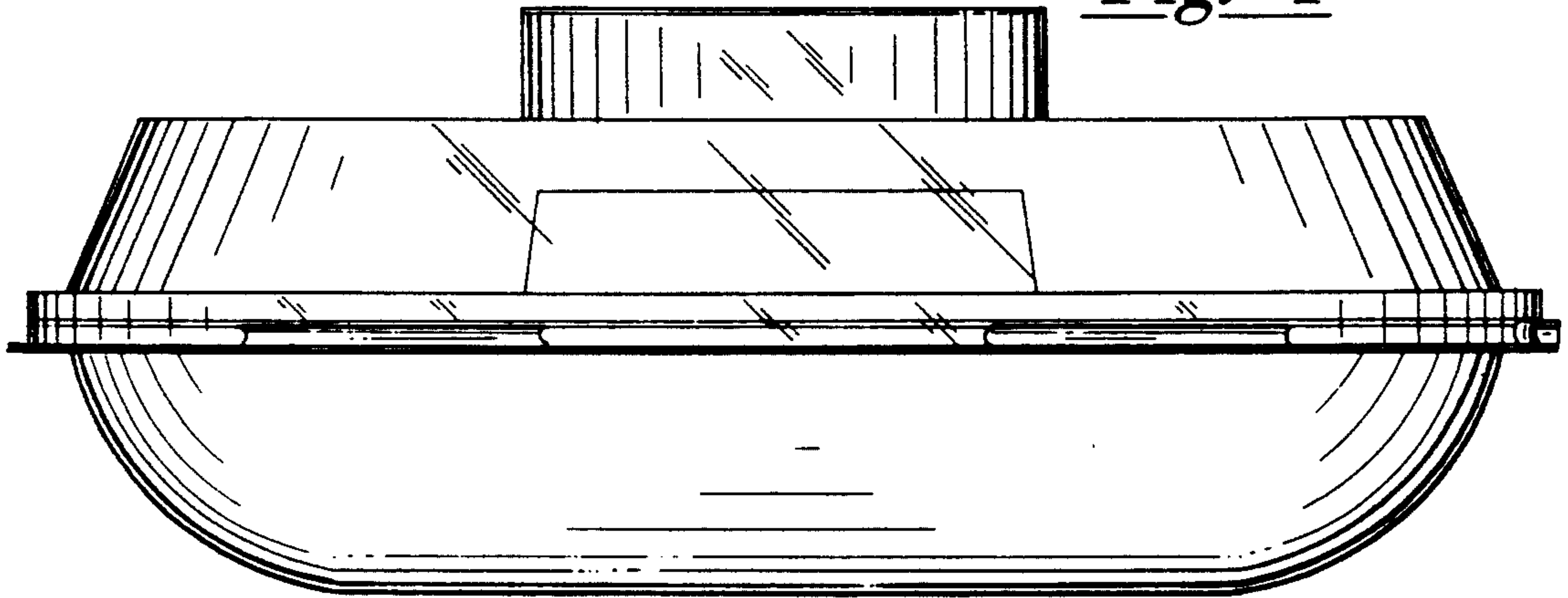


Fig.-5

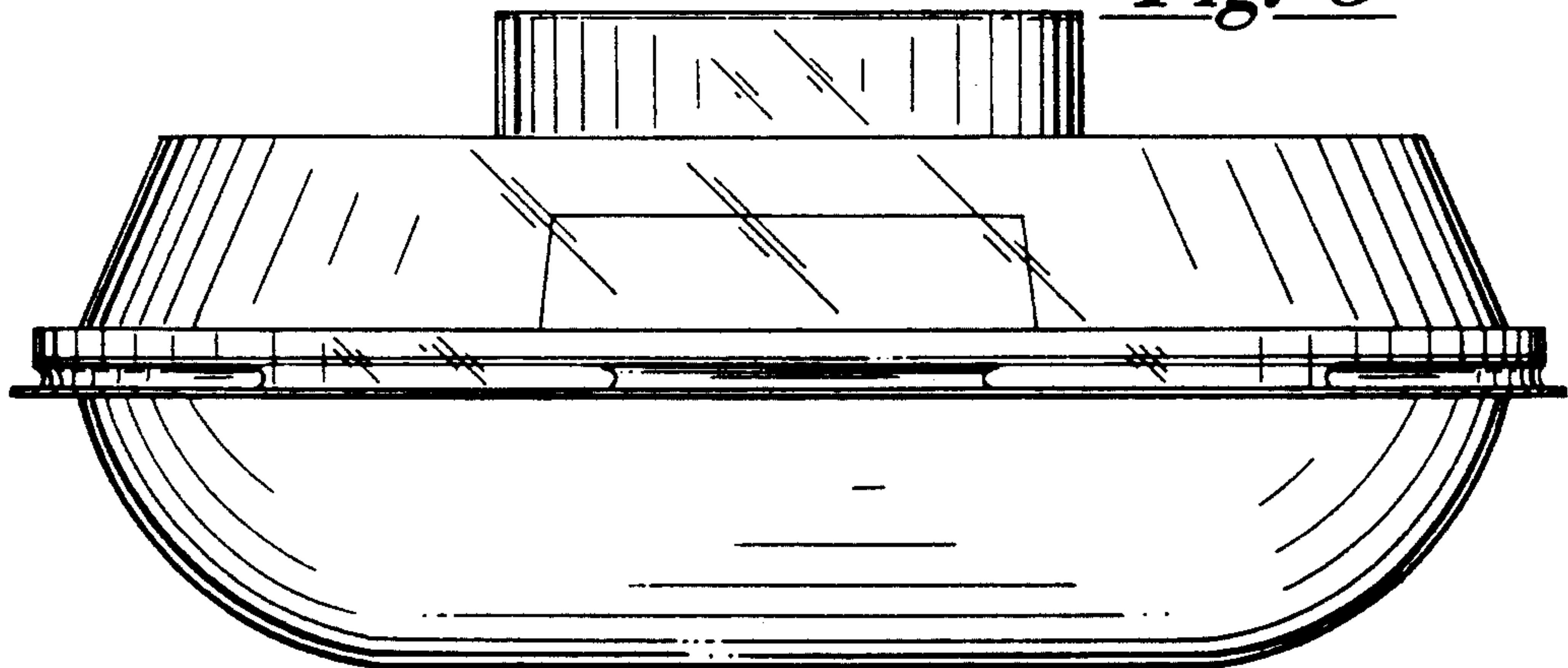


Fig.-6

