



US00D344657S

United States Patent [19]

[11] Patent Number: **Des. 344,657**

Knopp

[45] Date of Patent: **** Mar. 1, 1994**

[54] **COMBINED HOT AND COLD LIQUID CONTAINER**

3,910,461 10/1975 Eager .
4,360,105 11/1982 Williams .
4,505,408 3/1985 Sagol 222/131 X
4,541,540 9/1985 Gretz .

[76] Inventor: **Ronald H. Knopp**, Box 503, Ligonier, Pa. 15658

Primary Examiner—Terry A. Wallace
Attorney, Agent, or Firm—Terry M. Gernstein

[**] Term: **14 Years**

[57] **CLAIM**

[21] Appl. No.: **894,237**

The ornamental design for a combined hot and cold liquid container, as shown and described.

[22] Filed: **Jun. 9, 1992**

[52] U.S. Cl. **D7/313; D7/608**

[58] Field of Search **D7/603-608, D7/300, 313; 62/371, 389, 457.1; 222/129, 131, 185, 396, 481**

DESCRIPTION

FIG. 1 is a top, front and side perspective view of the combined hot and cold liquid container showing my new design;

FIG. 2 is a front elevational view thereof;

FIG. 3 is a rear elevational view thereof;

FIG. 4 is a side elevational view thereof, the side opposite being a mirror image of the side shown in FIG. 4;

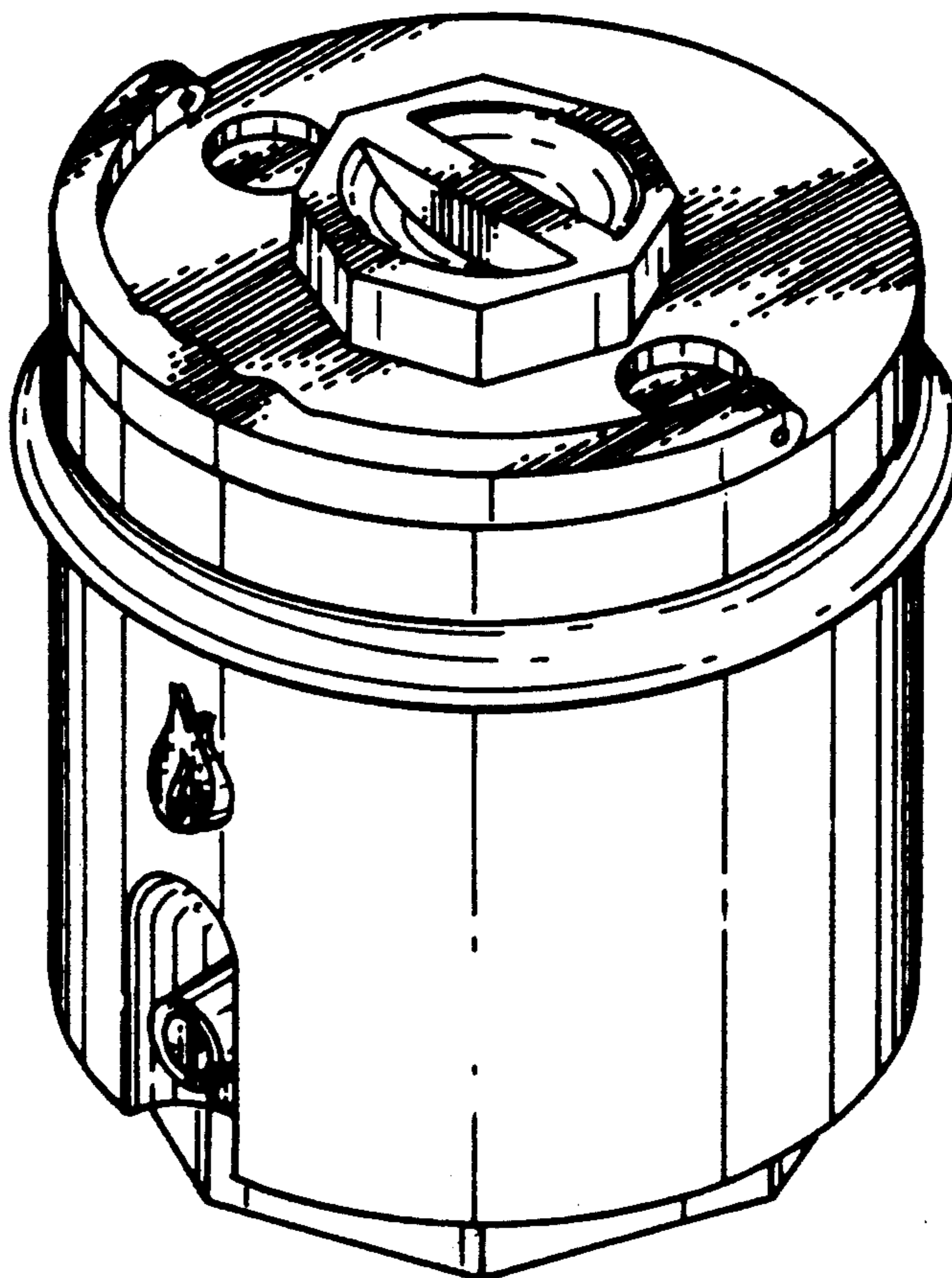
FIG. 5 is a top plan view thereof; and,

FIG. 6 is a bottom plan view thereof.

[56] **References Cited**

U.S. PATENT DOCUMENTS

- D. 210,307 2/1968 Branscum D7/608 X
- D. 309,396 7/1990 Lundblade et al. D7/605 X
- 3,304,603 2/1967 Piker 215/13.1 X
- 3,337,073 8/1967 Angelo .



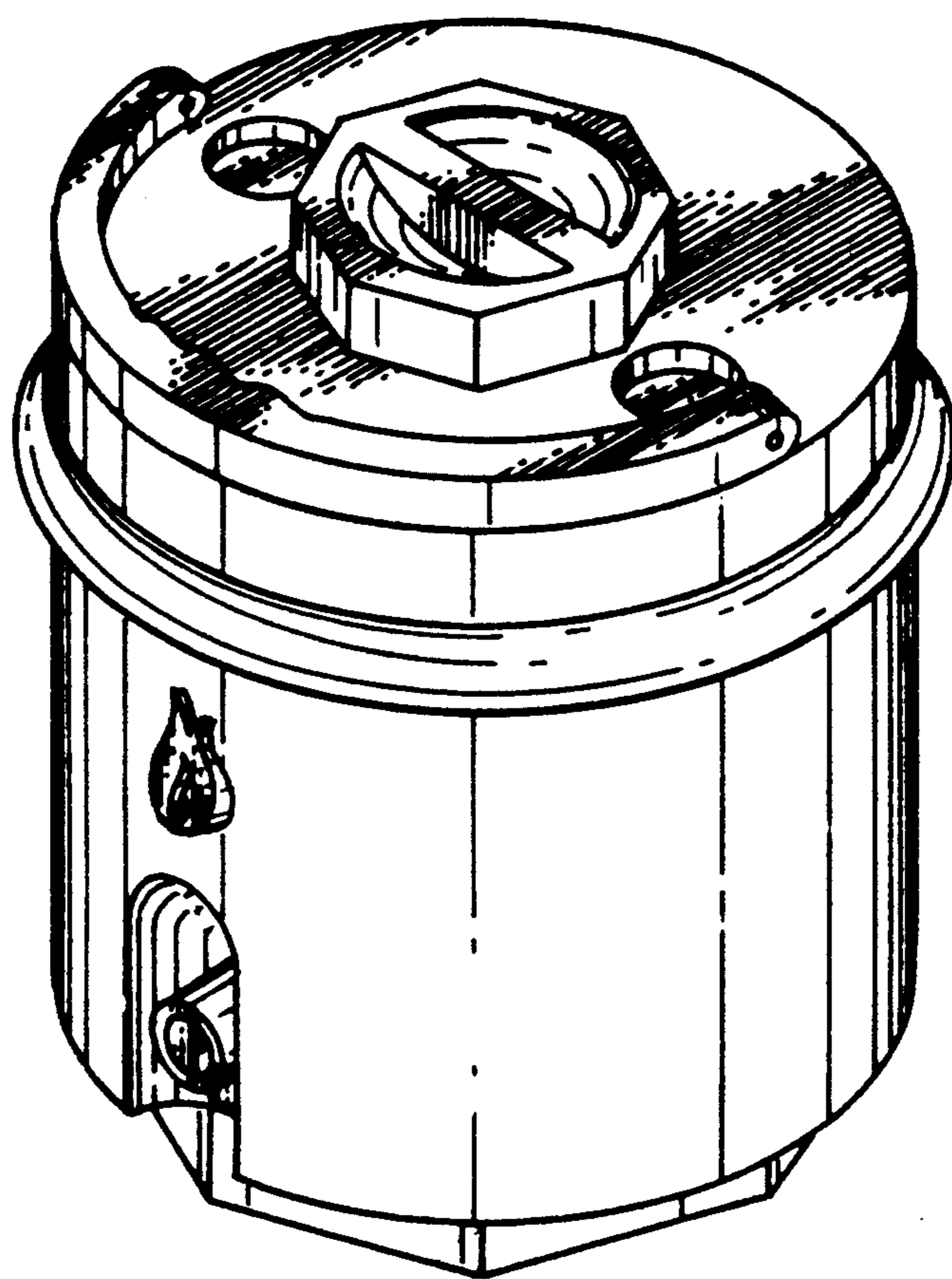


FIG. 1

FIG. 2

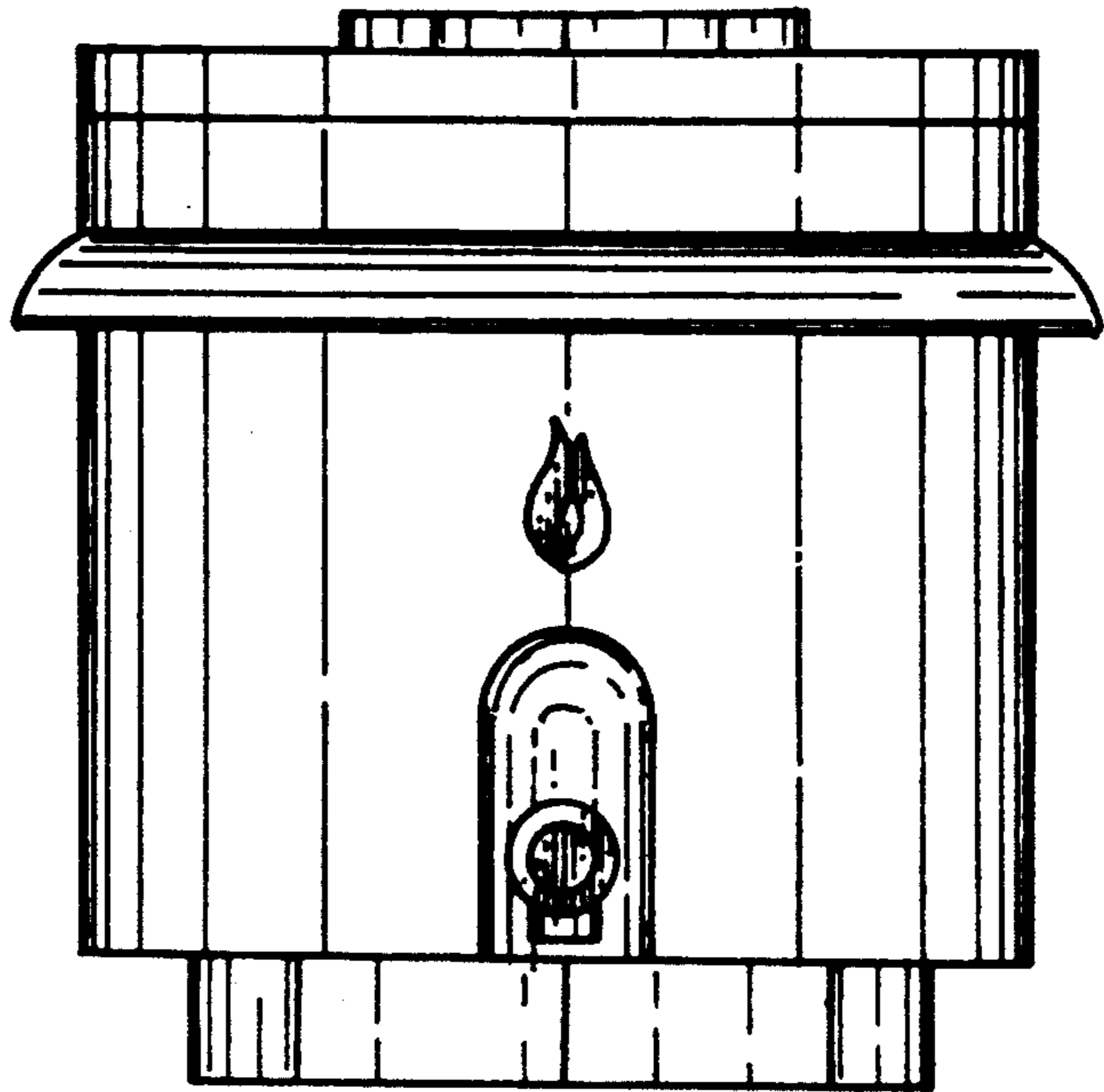
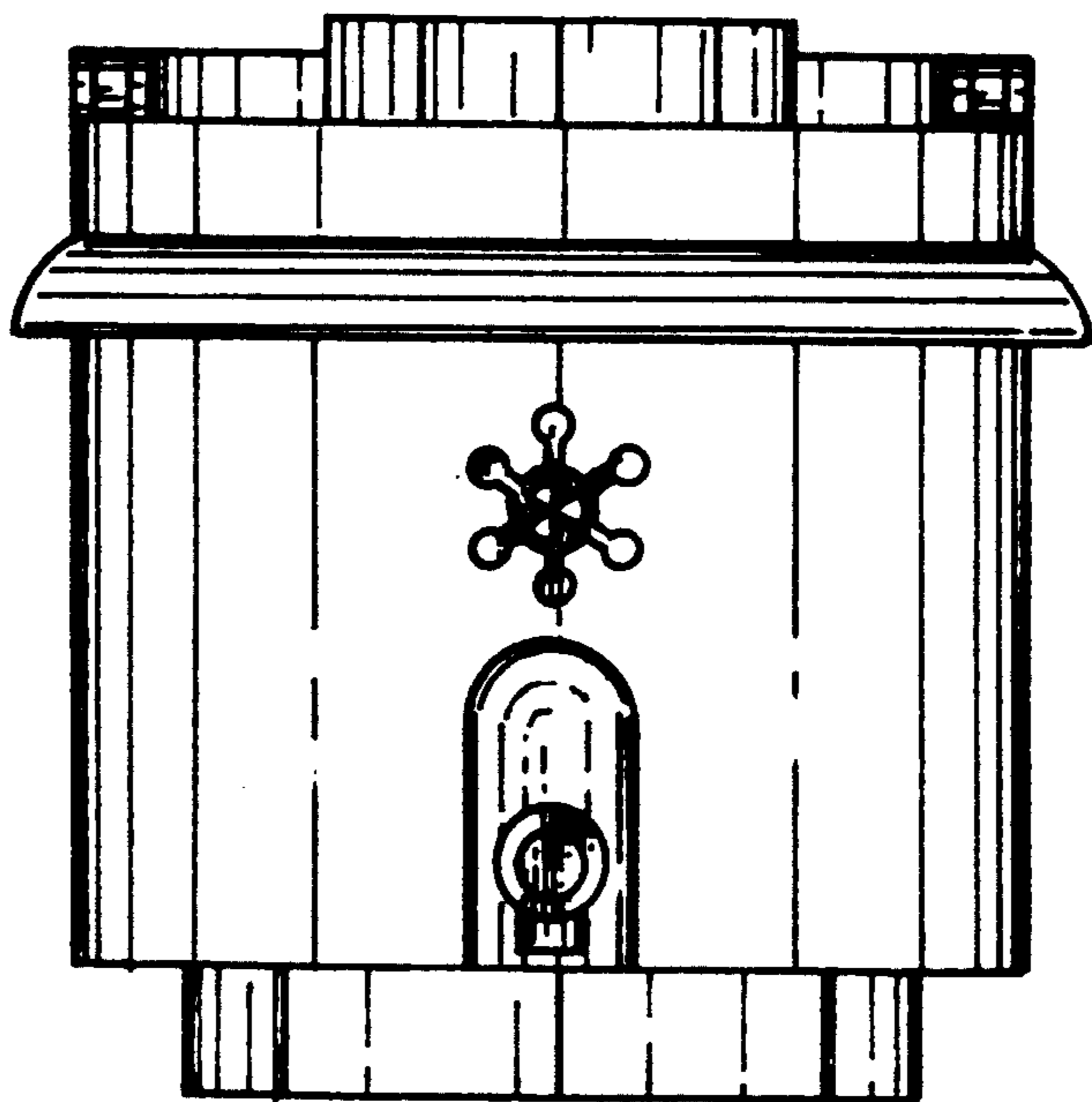


FIG. 3



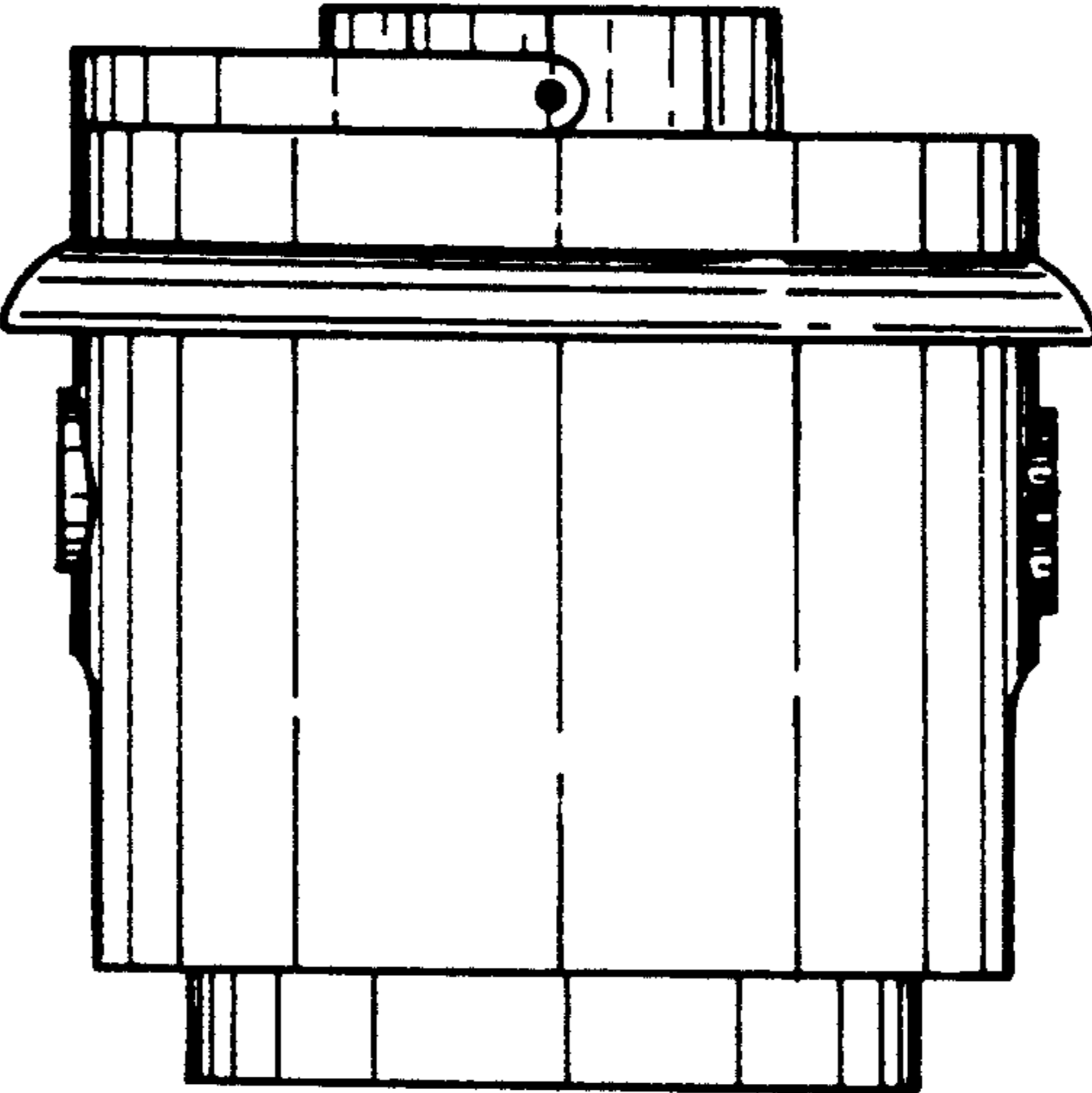


FIG. 4

FIG. 5

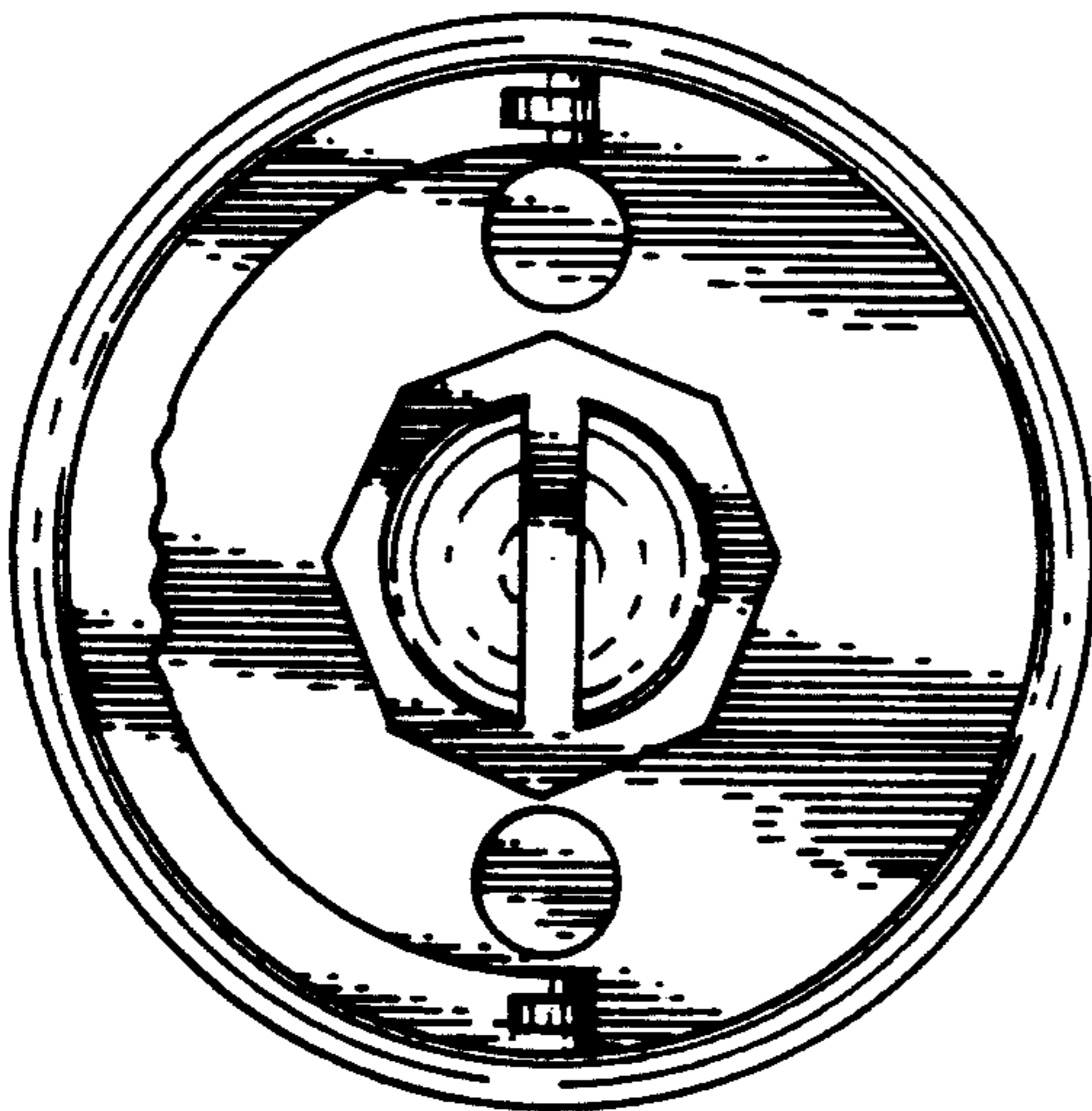


FIG. 6

