



US00D344656S

**United States Patent** [19]  
**De Felip**

[11] **Patent Number: Des. 344,656**  
[45] **Date of Patent: \*\* Mar. 1, 1994**

[54] **ESPRESSO COFFEE MACHINE  
SUPPORTED BY FOUR COLUMNS**

D. 299,999 2/1989 Pandolfi ..... D7/311 X

[75] **Inventor: Aldo De Felip, Milan, Italy**  
[73] **Assignee: Brevetti Gaggia S.p.A., Milan, Italy**  
[\*\*] **Term: 14 Years**  
[21] **Appl. No.: 798,621**  
[22] **Filed: Nov. 26, 1991**

**OTHER PUBLICATIONS**

Girmi Caffee concerto Espresso Machine Form 105  
Jan. 1984 p. 56.

*Primary Examiner*—Nelson C. Holtje  
*Assistant Examiner*—M. N. Pandozzi  
*Attorney, Agent, or Firm*—Harness, Dickey & Pierce

[30] **Foreign Application Priority Data**

Jul. 3, 1991 [IT] Italy ..... MI91-0-000505

[52] **U.S. Cl.** ..... **D7/309; D7/310;**  
D7/311

[58] **Field of Search** ..... D7/300, 301, 305, 306,  
D7/307, 308, 309, 310, 311, 312, 313; 97/295,  
293, 290

[57] **CLAIM**

The ornamental design for an espresso coffee machine  
supported by four columns, as shown and described.

**DESCRIPTION**

FIG. 1 is a top right side perspective view of an  
espresso coffee machine supported by four columns all  
in accordance with my new design;  
FIG. 2 is a right side elevational view thereof;  
FIG. 3 is a left side elevational view thereof;  
FIG. 4 is a front elevational view;  
FIG. 5 is a top plan view thereof;  
FIG. 6 is a bottom plan view thereof; and,  
FIG. 7 is a rear elevational view thereof.

[56] **References Cited**

**U.S. PATENT DOCUMENTS**

D. 148,347 1/1948 Blickman ..... D7/300

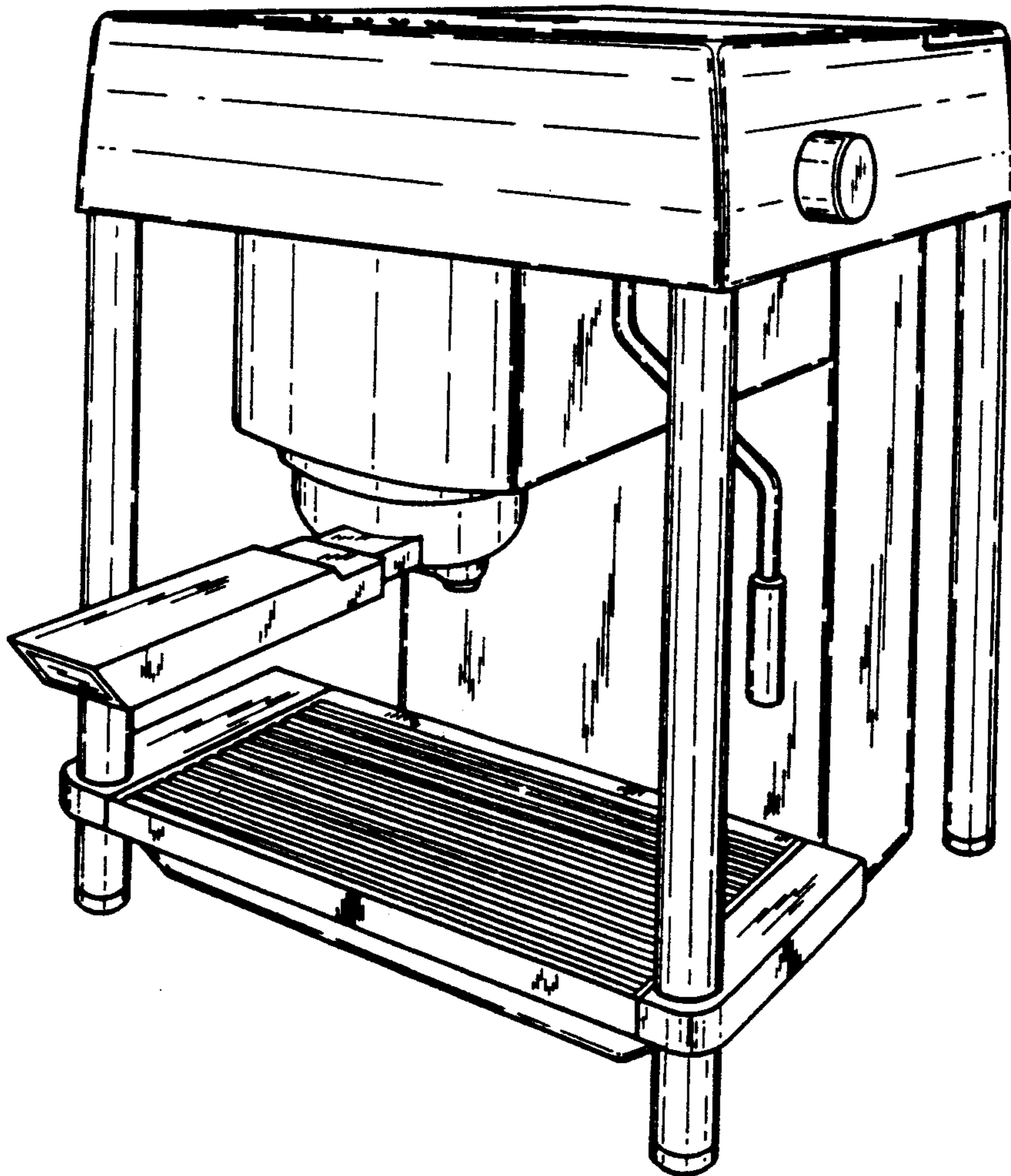
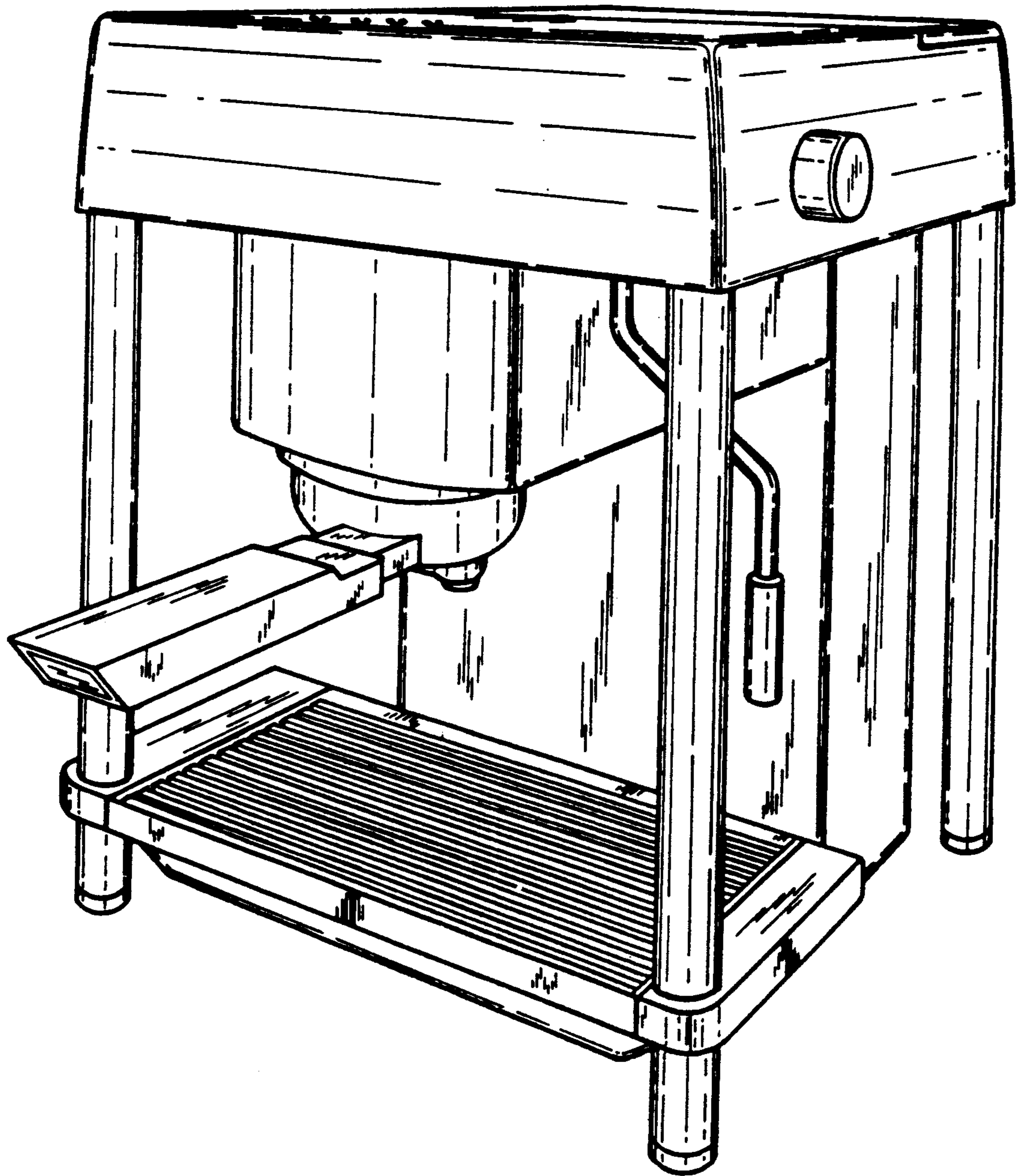
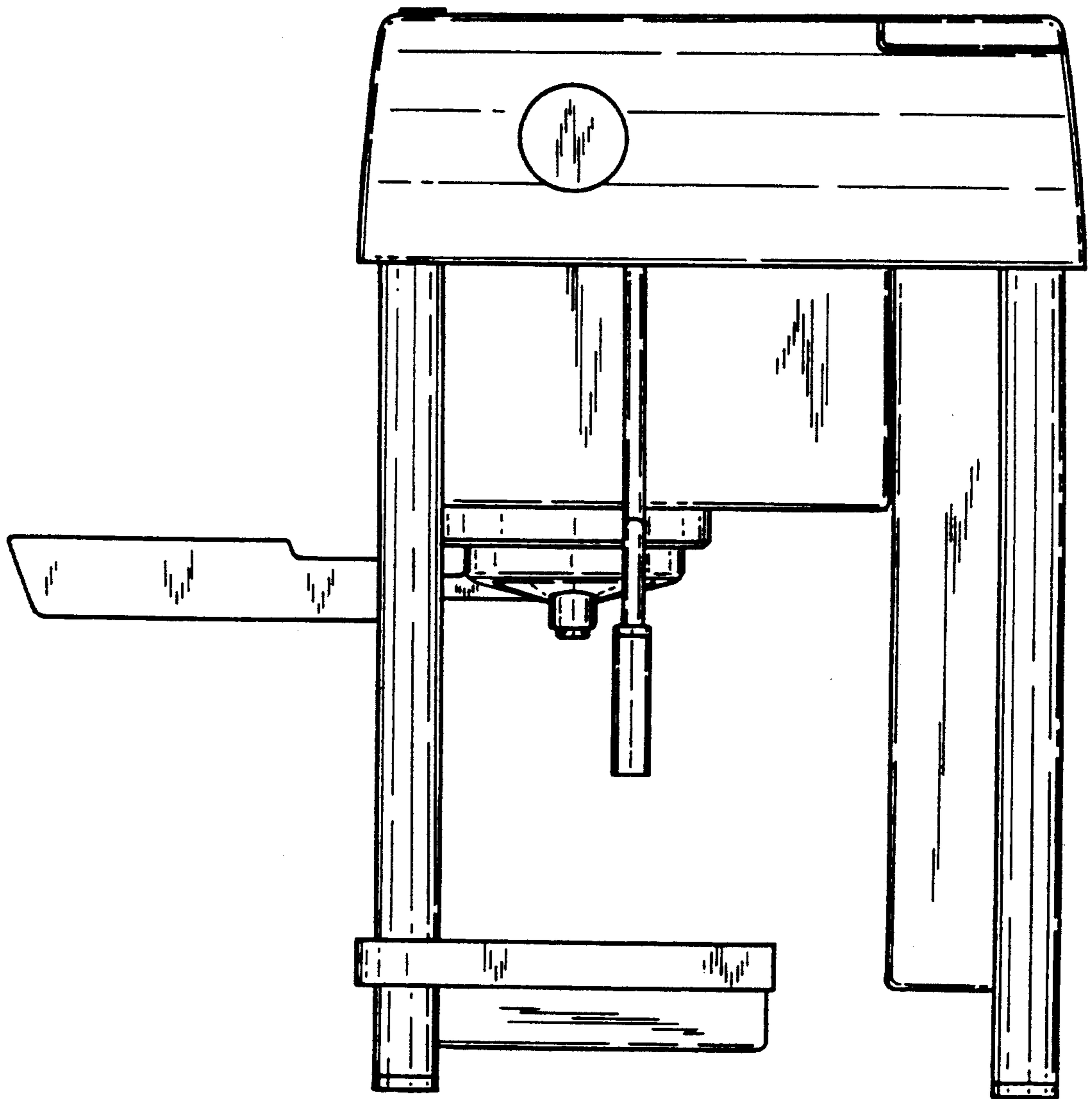


FIG. 1



**FIG. 2**



**FIG. 3**

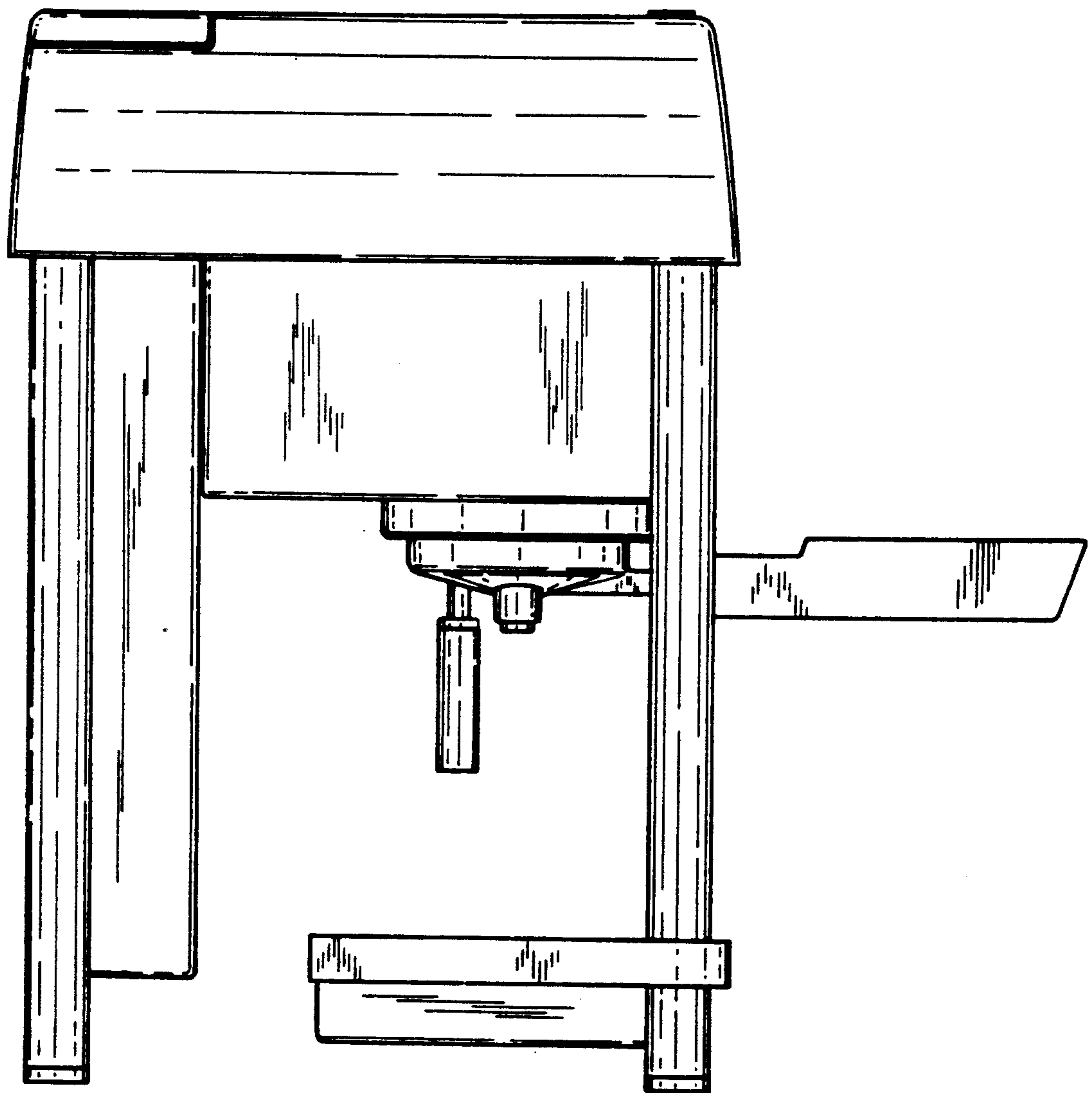


FIG. 4

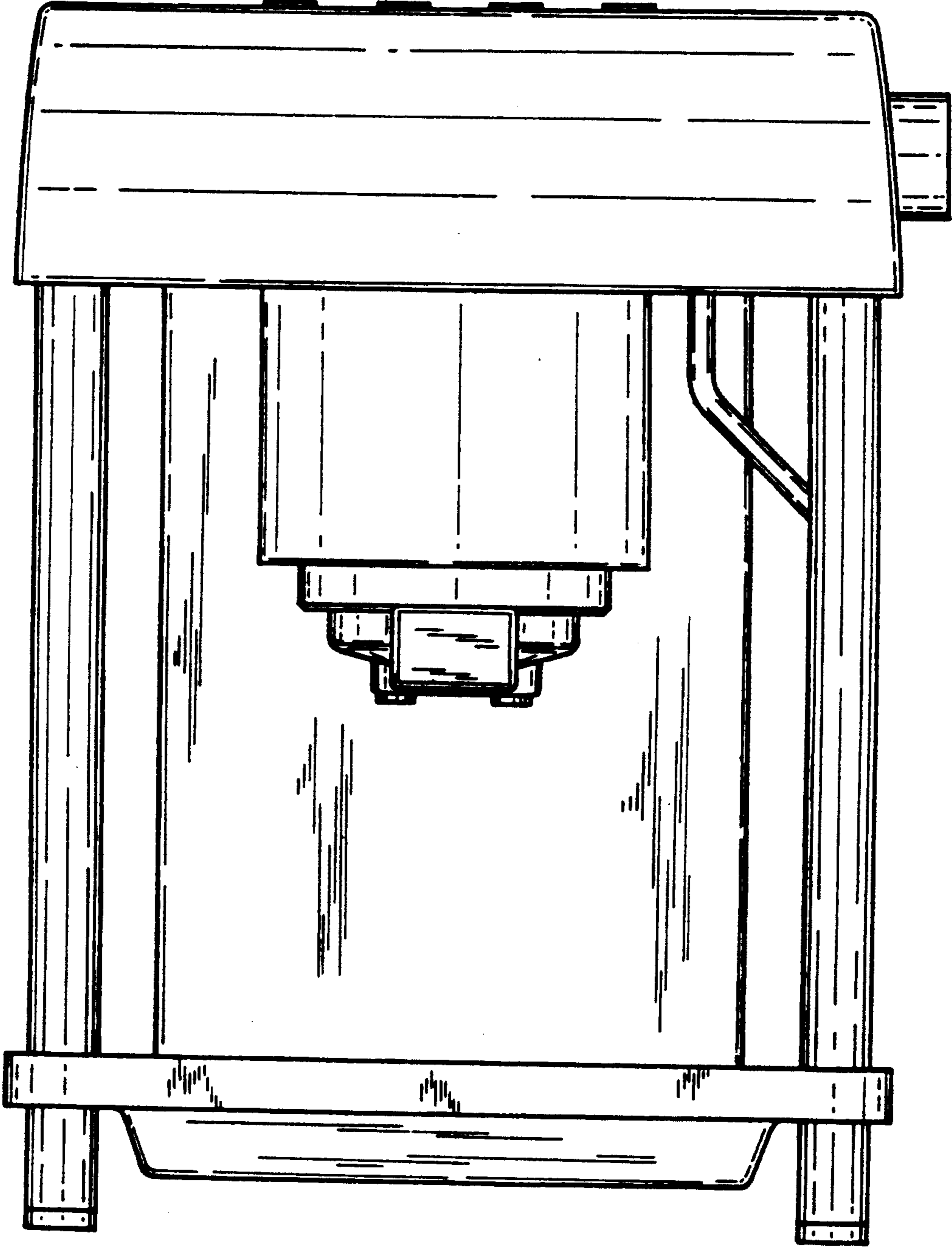
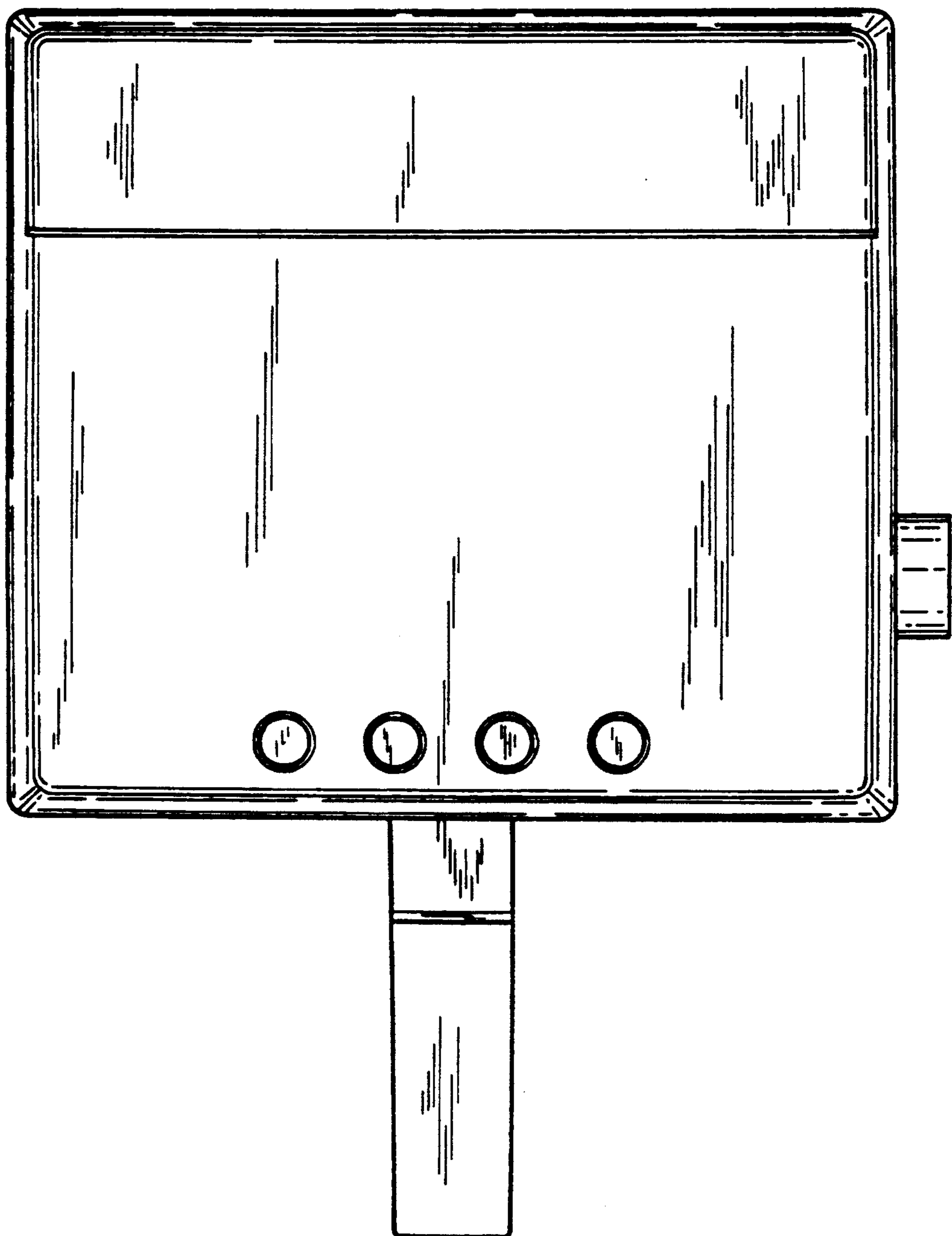
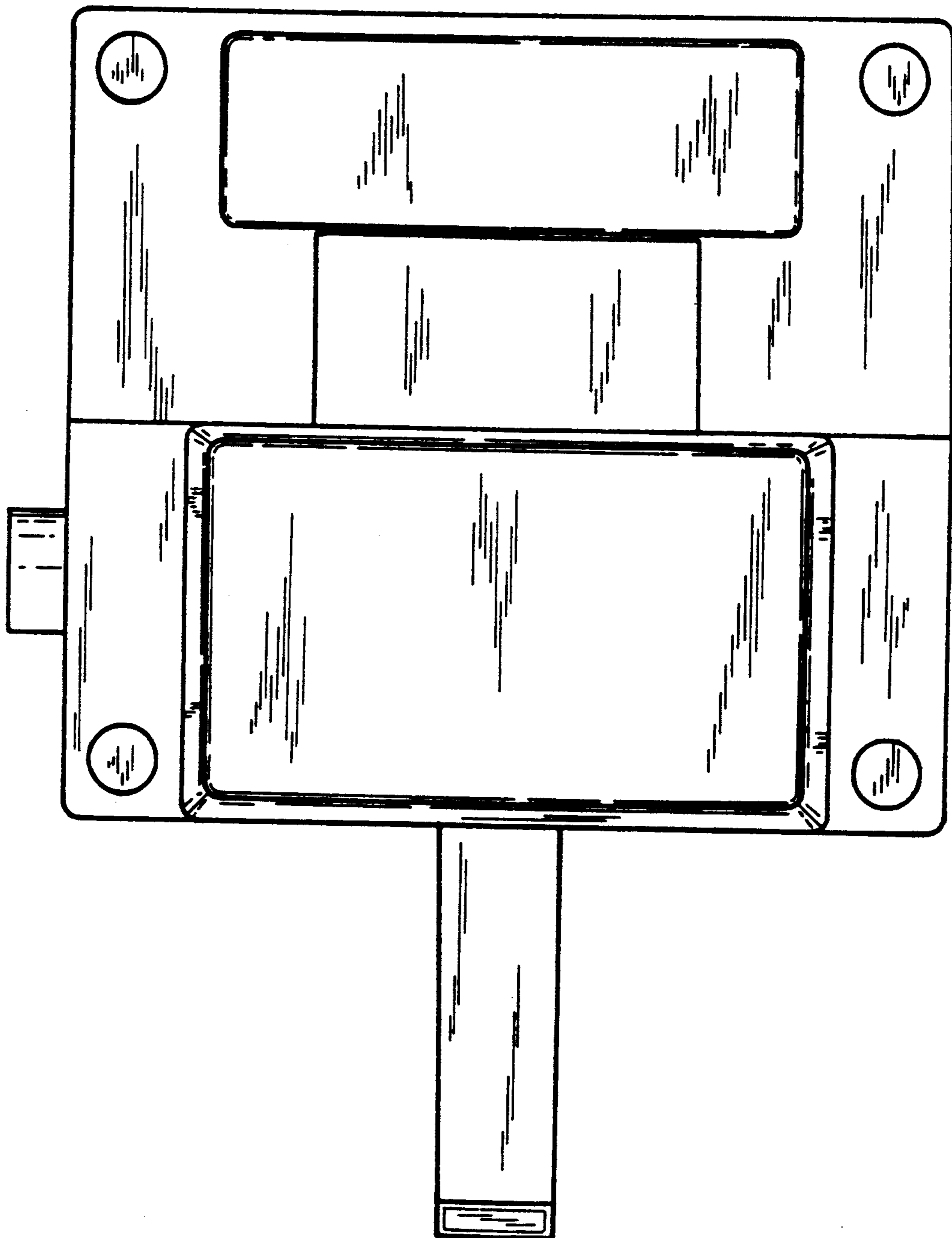


FIG. 5.



**FIG. 6**



**FIG. 7**

