



US00D344652S

United States Patent [19]

[11] Patent Number: **Des. 344,652**

Hatcher

[45] Date of Patent: **** Mar. 1, 1994**

[54] **COMPUTER KEYBOARD SUPPORT MOUNTABLE TO THE UNDERSIDE OF A DESK**

[75] Inventor: **David M. Hatcher, Buffalo, N.Y.**

[73] Assignee: **Posting Equipment Corporation, Buffalo, N.Y.**

[**] Term: **14 Years**

[21] Appl. No.: **934,008**

[22] Filed: **Aug. 21, 1992**

[52] U.S. Cl. **D6/511; D14/114**

[58] Field of Search **D6/491, 510, 511; 312/208.1, 208.2, 208.4, 281, 282; 248/918; 108/90; D14/114**

[56] **References Cited**

U.S. PATENT DOCUMENTS

- D. 287,678 1/1987 Hatcher et al. D14/114 X
- D. 316,710 5/1991 Drake et al. D14/114
- D. 330,892 11/1992 Hassel et al. D14/114
- D. 333,300 2/1993 Hatcher D14/114
- 2,757,999 8/1956 De Lyle 312/208.1 X

OTHER PUBLICATIONS

Bretford Product Guide, Feb. 1989, p. 13.

Primary Examiner—Nelson C. Holtje
Assistant Examiner—J. E. Seeger
Attorney, Agent, or Firm—Hodgson, Russ, Andrews, Woods & Goodyear

[57] **CLAIM**

The ornamental design for a computer keyboard support mountable to the underside of a desk, as shown and described.

DESCRIPTION

FIG. 1 is a front elevational view of computer keyboard support mountable to the underside of a desk, showing my new design;

FIG. 2 is a rear elevation view of the computer keyboard support;

FIG. 3 is a top plan view thereof;

FIG. 4 is a left side elevational view thereof;

FIG. 5 is a bottom view thereof;

FIG. 6 is a right side elevational view thereof, the keyboard shelf shown extended from the front side;

FIG. 7 is a perspective view thereof; and,

FIG. 8 is a perspective view thereof, the keyboard shelf shown extended from the front side.

The broken lines, showing a desk in FIG 1, are for illustrative purposes only and form no part of the claimed design.

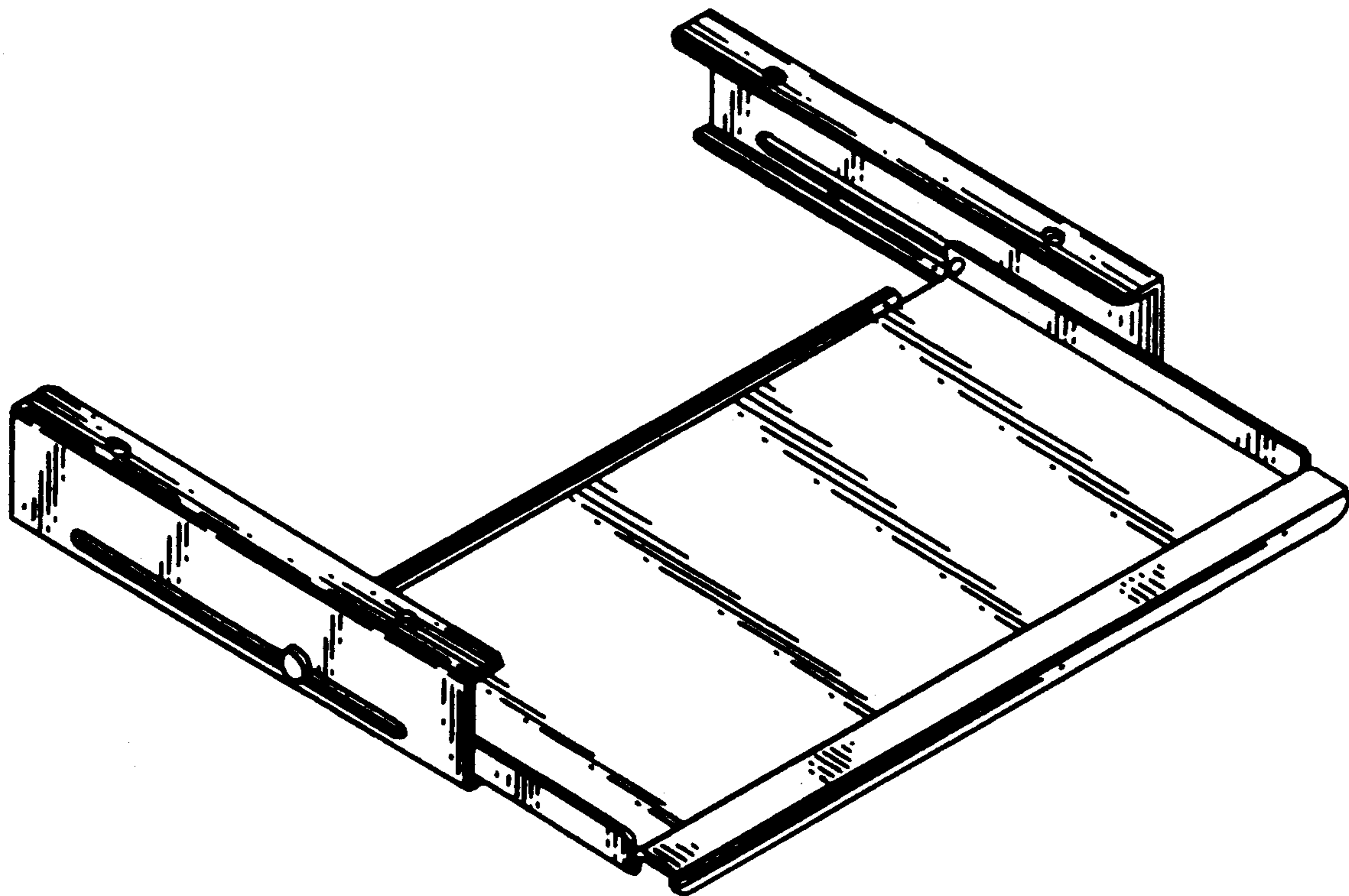


Fig. 1.

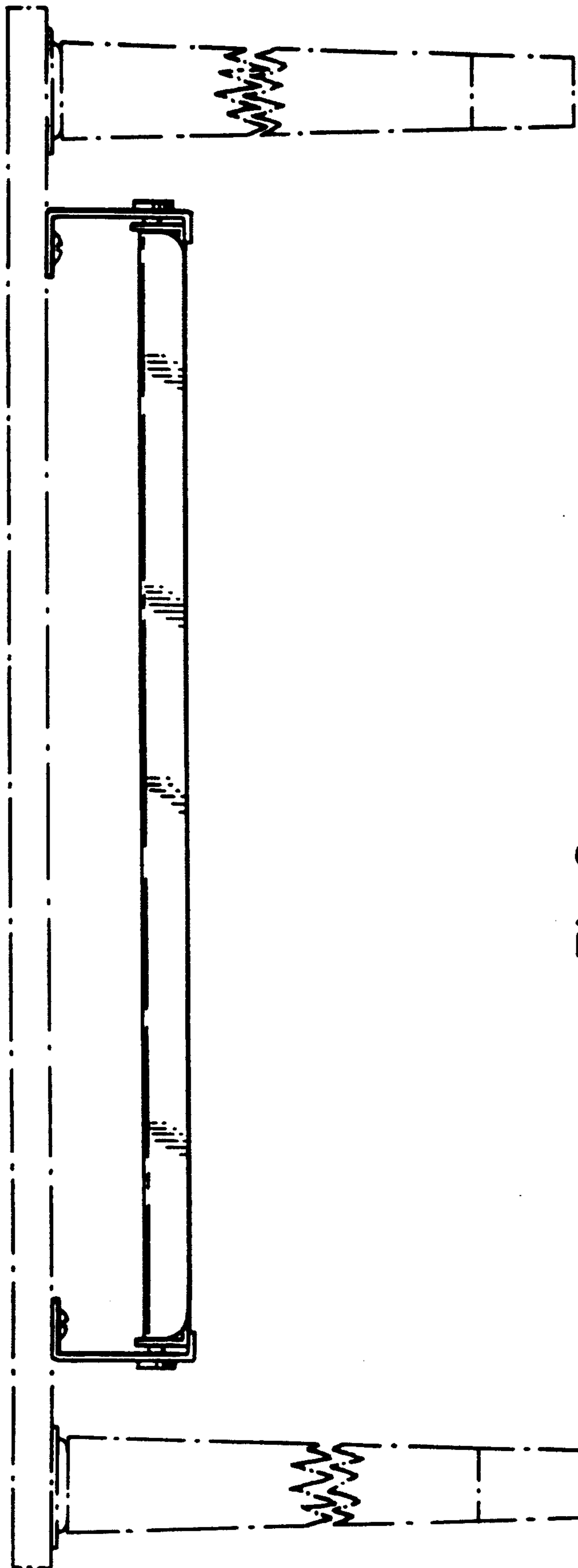


Fig. 2.

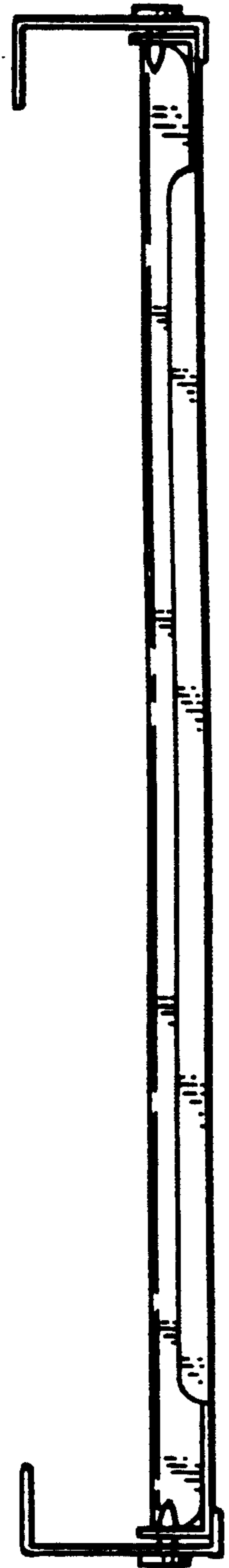


Fig. 3.

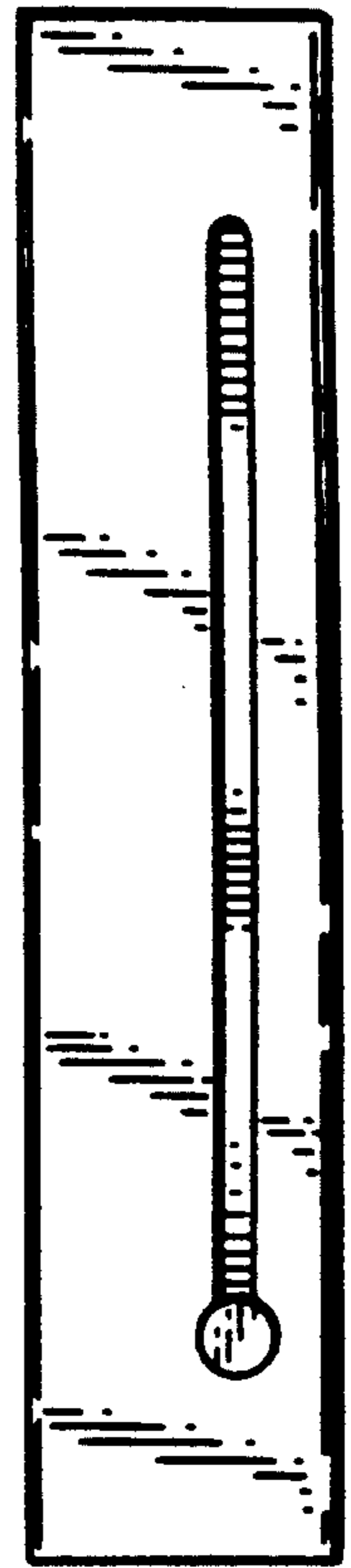
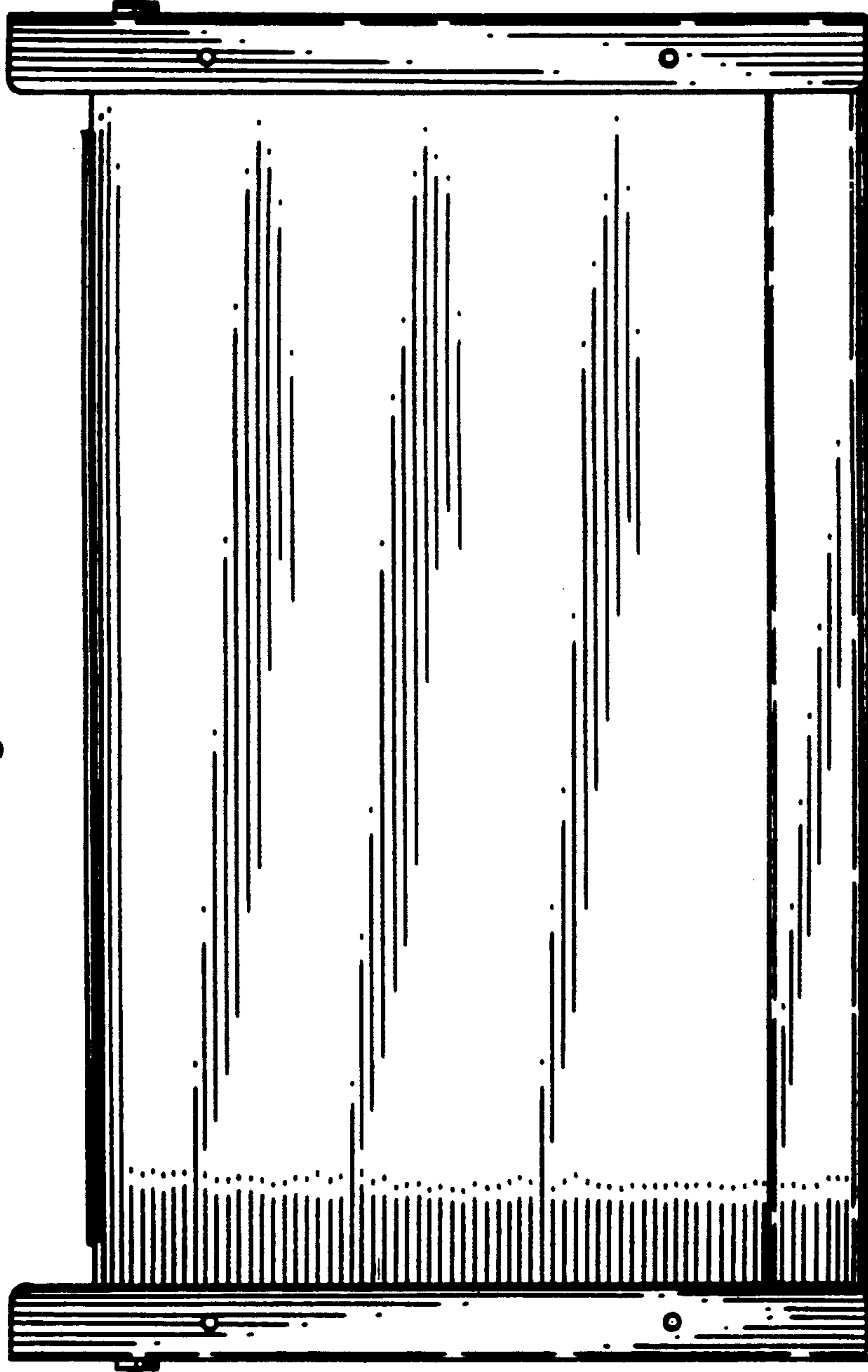


Fig. 4.

Fig. 5.

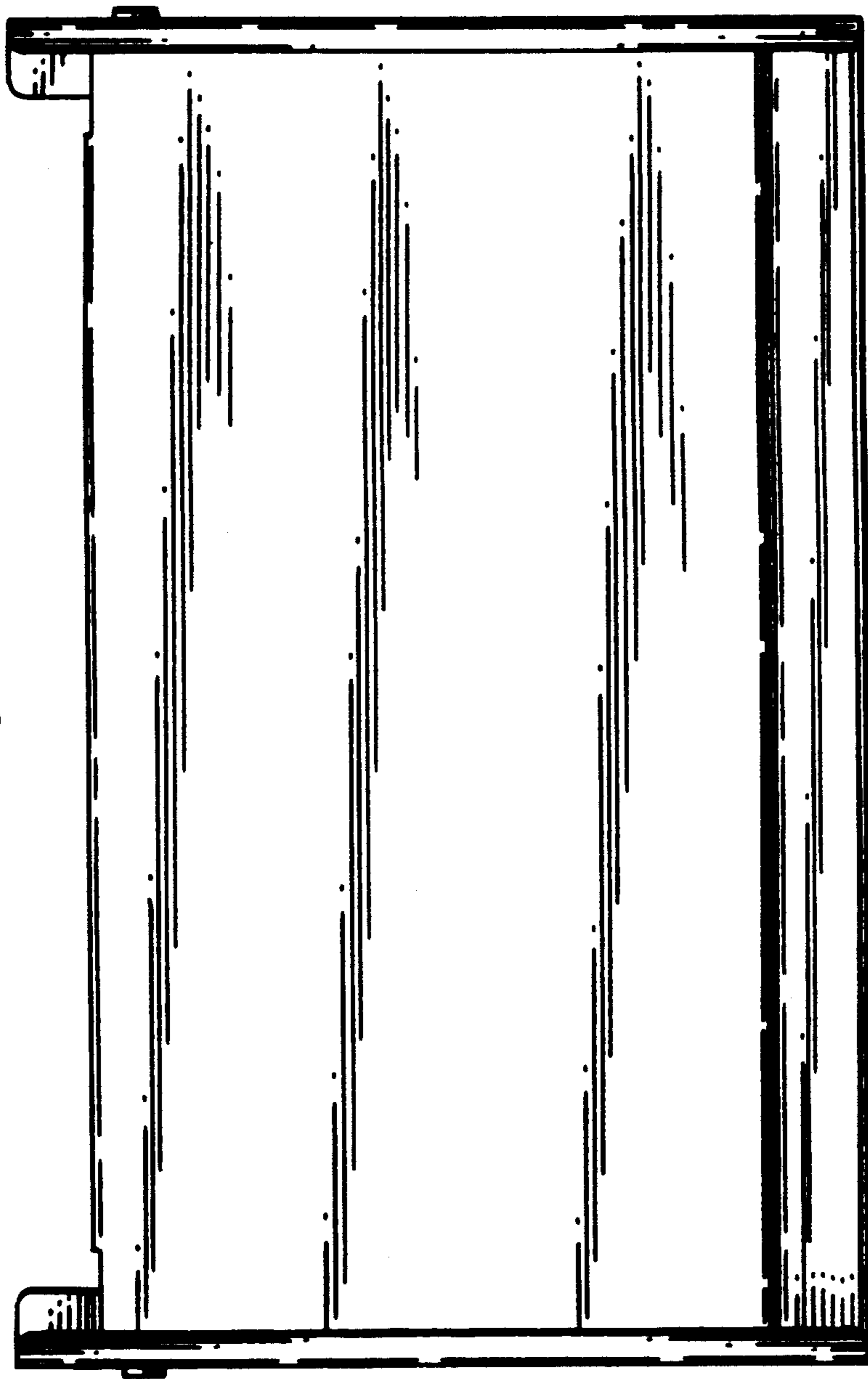


Fig. 6.

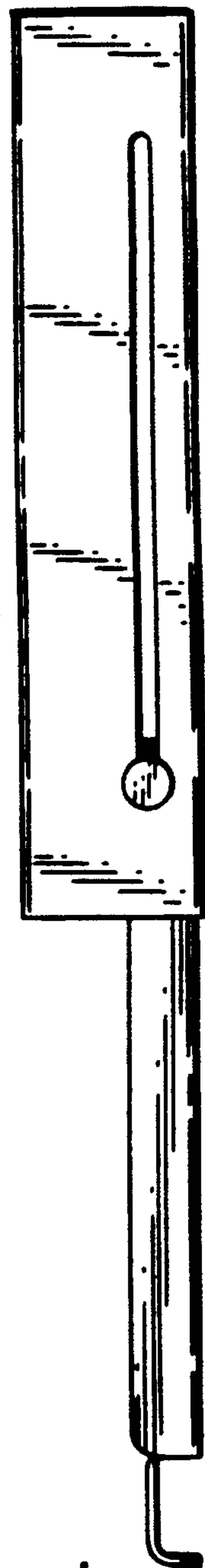


Fig. 7.

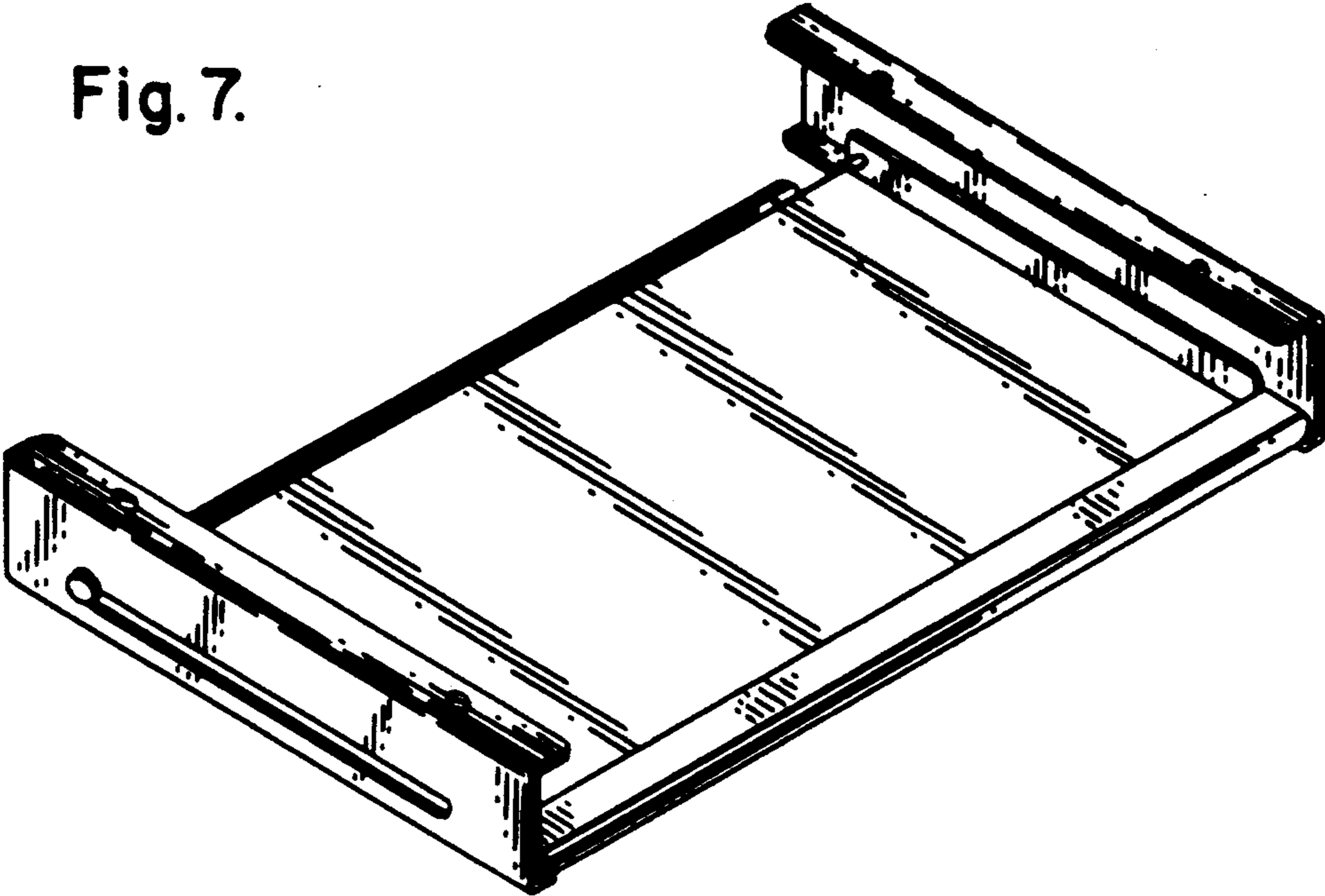


Fig. 8.

