



US00D344650S

United States Patent [19]

Arcularius

[11] Patent Number: **Des. 344,650**

[45] Date of Patent: **** Mar. 1, 1994**

[54] TOWEL RACK

[76] Inventor: **William H. Arcularius**, 1691 Lone Oak Rd., Vista, Calif. 92084

[**] Term: **14 Years**

[21] Appl. No.: **929,115**

[22] Filed: **Aug. 13, 1992**

[52] U.S. Cl. **D6/548; D6/513**

[58] Field of Search **D6/513-514, D6/546-550; 248/205.1, 214, 251, 317; 211/86, 113, 123**

[56] **References Cited**

U.S. PATENT DOCUMENTS

D. 336,525 6/1993 Clemons D6/513 X
4,559,738 12/1985 Helfman 248/214

OTHER PUBLICATIONS

House Beautiful (Aug. 1959) Towel Rack.

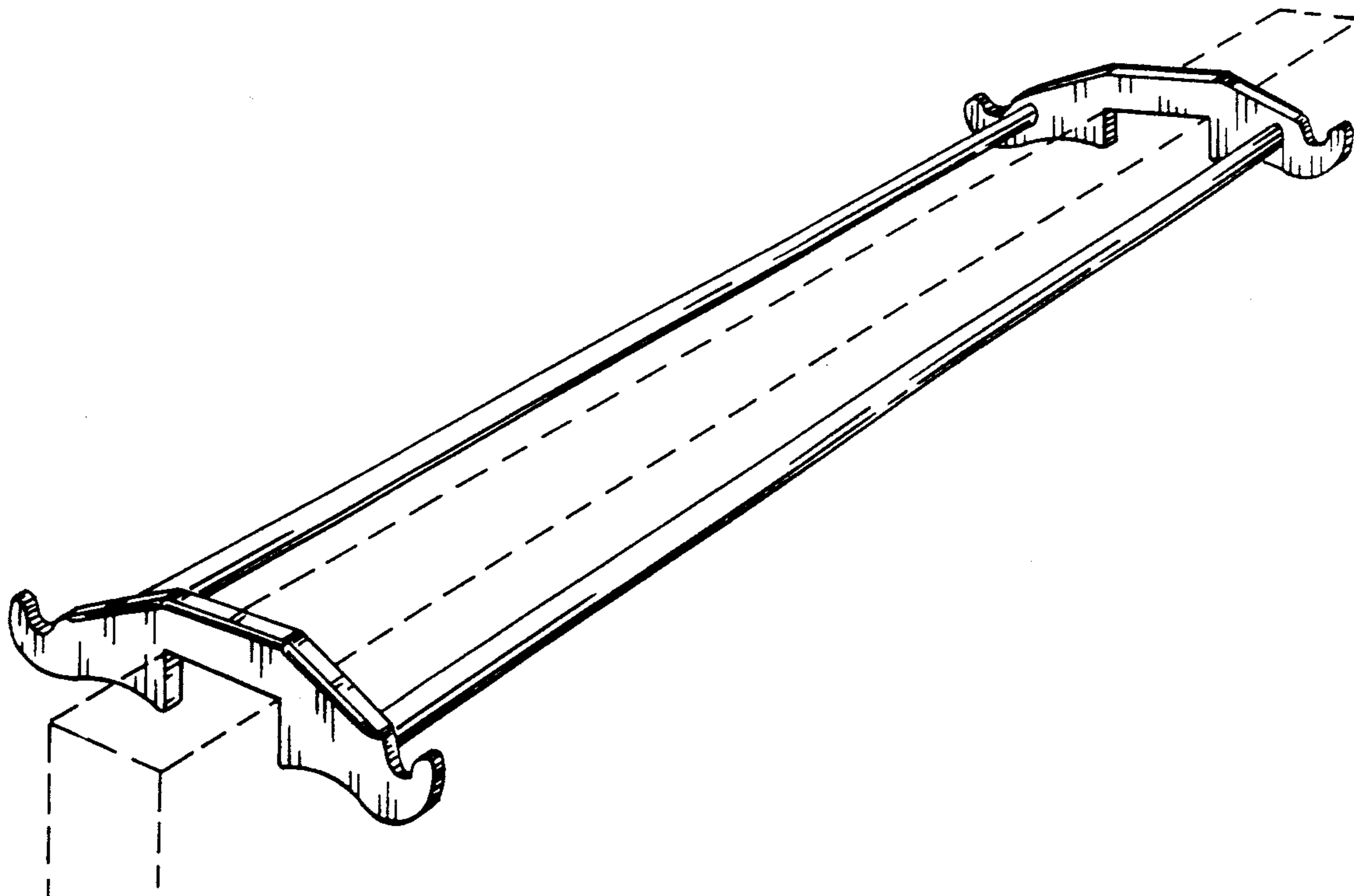
Primary Examiner—Brian N. Vinson
Attorney, Agent, or Firm—Henri J. A. Charmasson

[57] **CLAIM**

The ornamental design for towel rack, as shown and described.

DESCRIPTION

FIG. 1 is a top plan view of a towel rack showing my new design;
FIG. 2 is a bottom plan view thereof;
FIG. 3 is a front elevational view thereof, the back view being a mirror image;
FIG. 4 is a right end elevational view thereof, the left end being a mirror image; and,
FIG. 5 is a perspective view thereof with a supporting structure which is not part of the design, shown in broken lines.



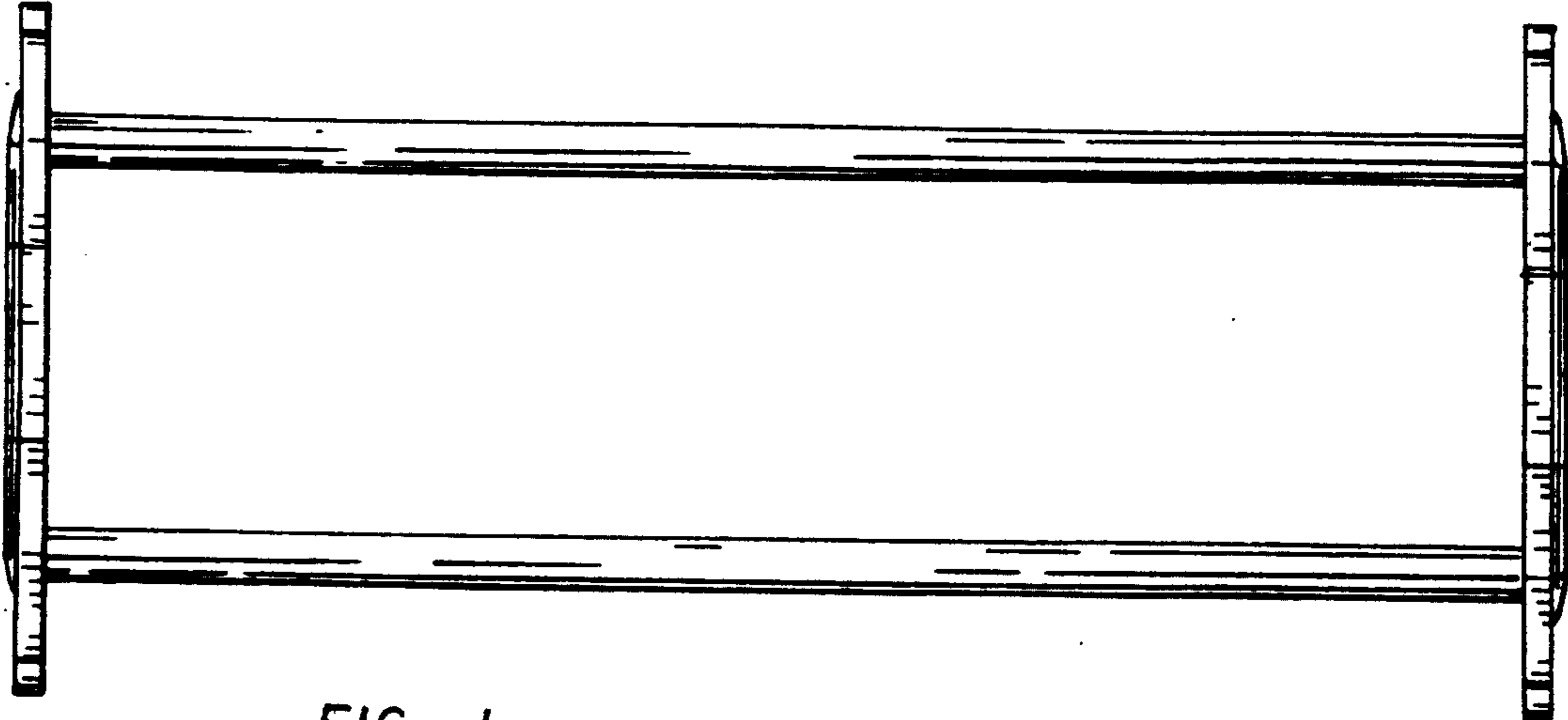


FIG. 1

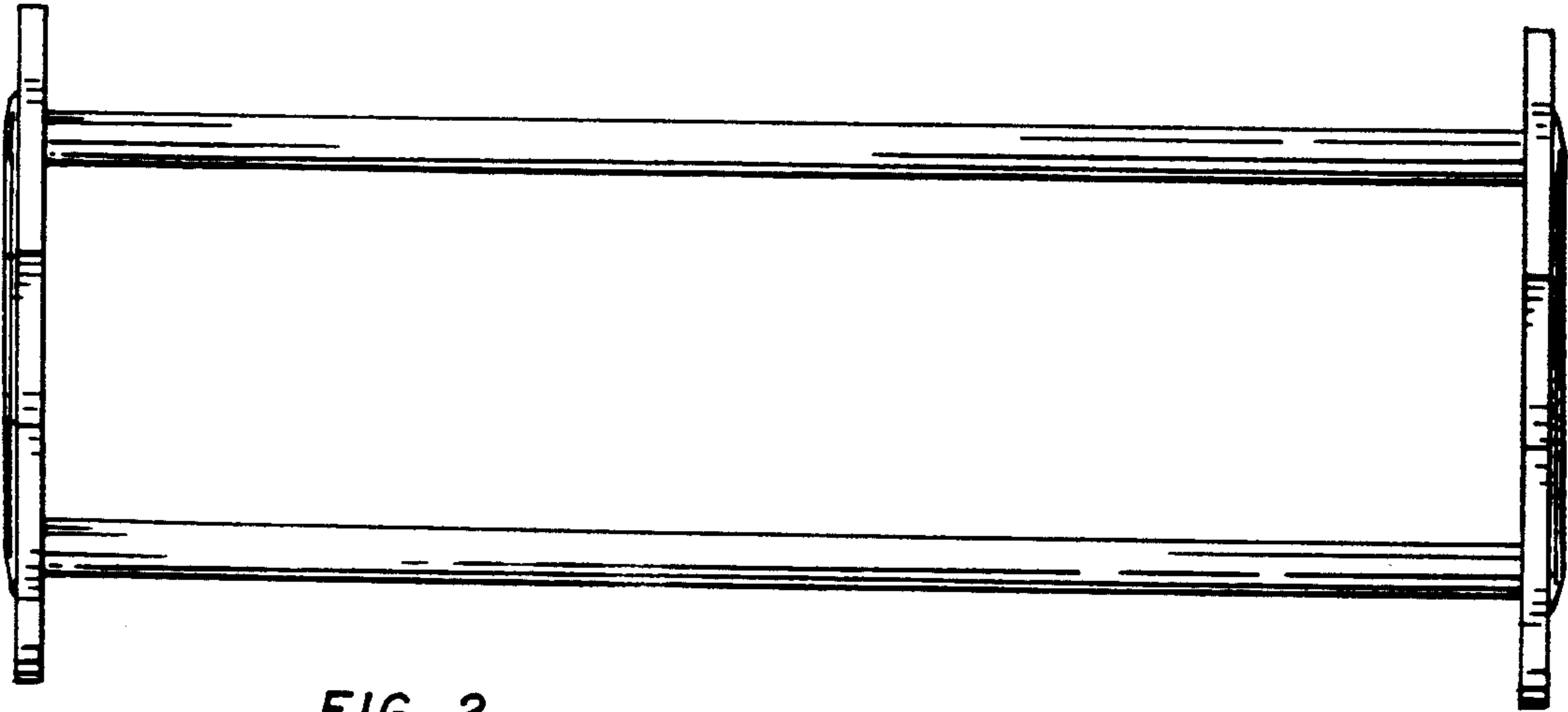


FIG. 2

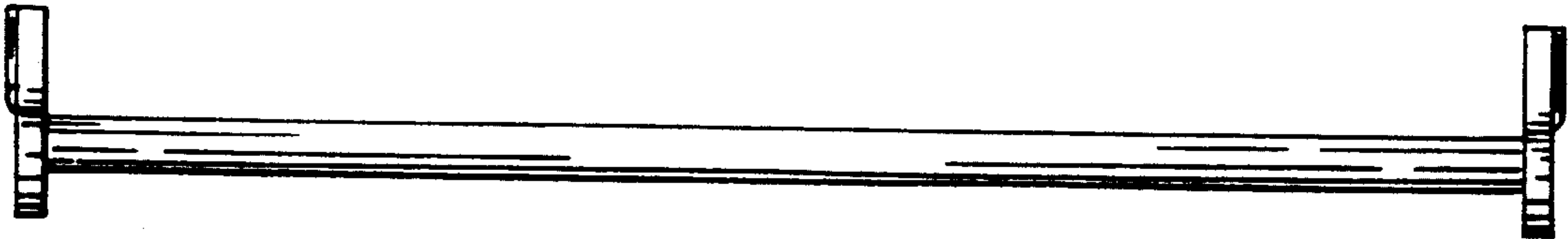


FIG. 3

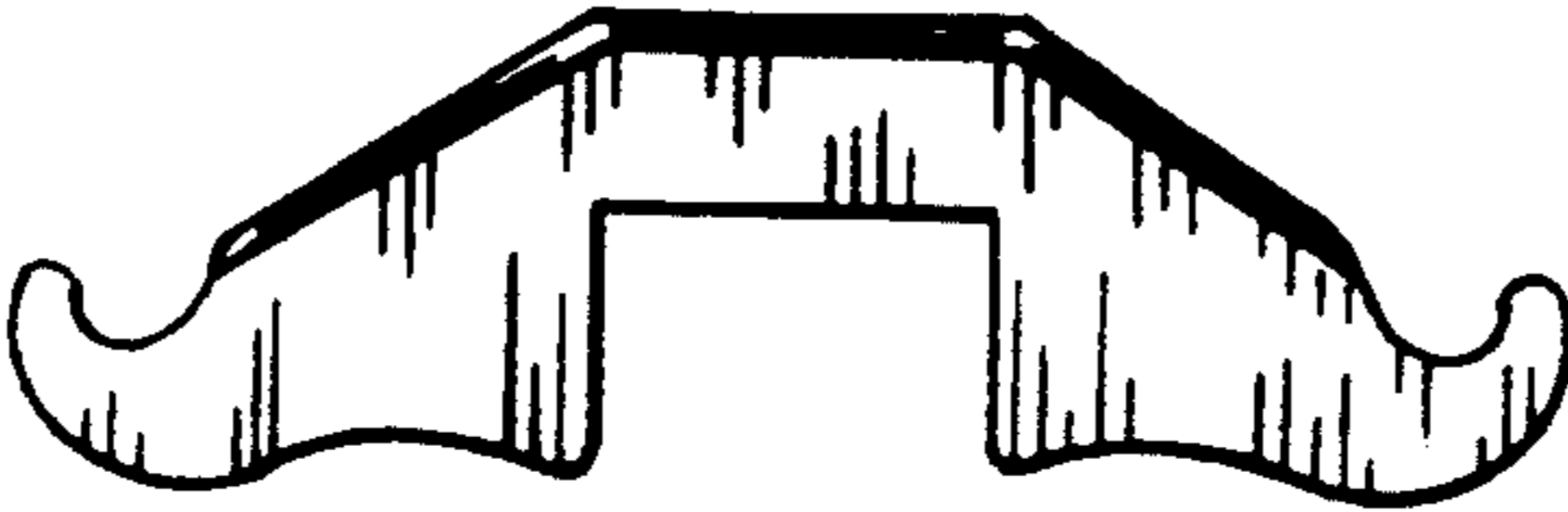


FIG. 4

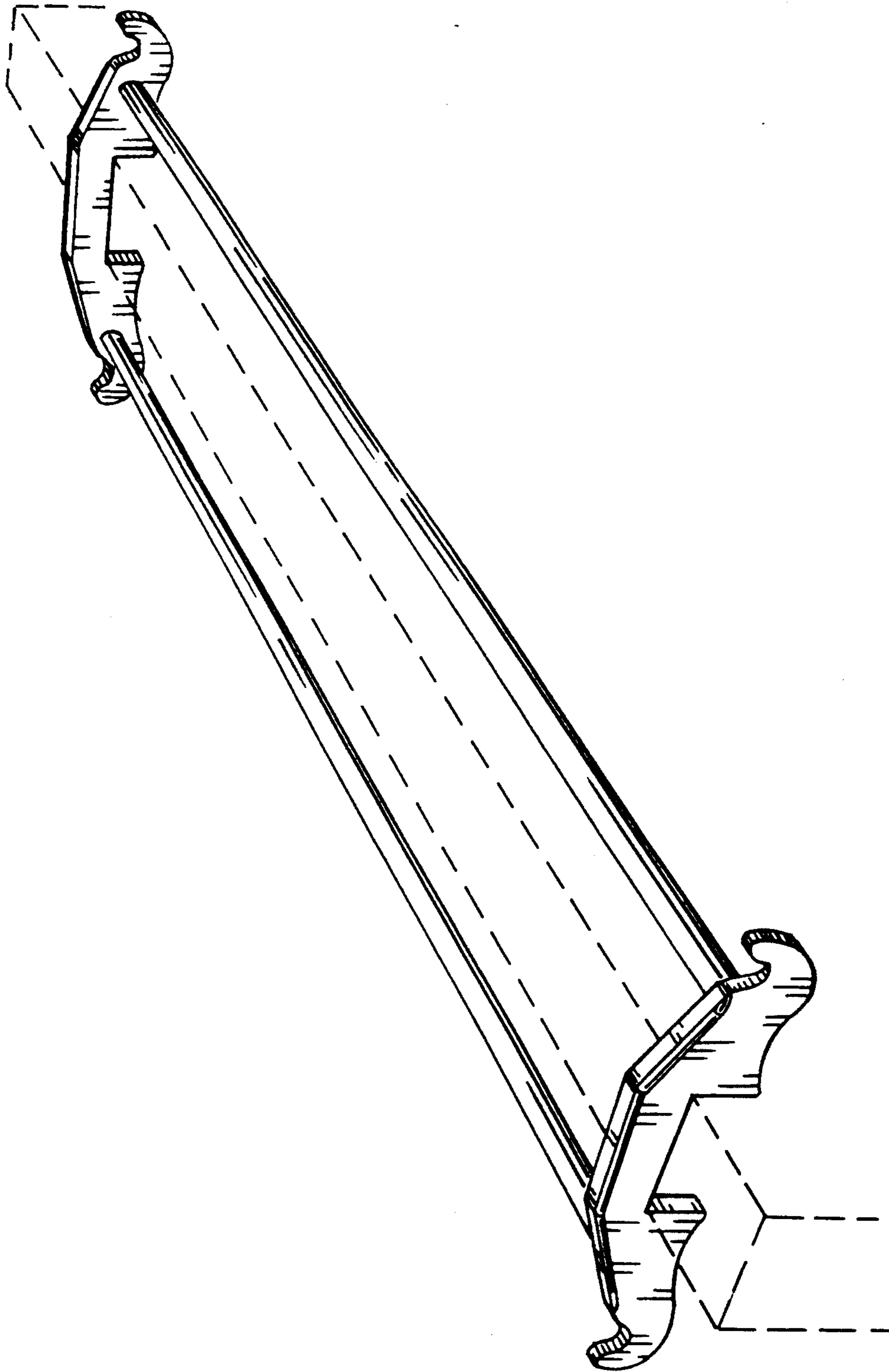


FIG. 5