



US00D344643S

# United States Patent [19]

[11] Patent Number: **Des. 344,643**

Rosen

[45] Date of Patent: **\*\* Mar. 1, 1994**

## [54] BED FRAME

[75] Inventor: **Leon Rosen, Scarsdale, N.Y.**

[73] Assignee: **The Pace Collection, Long Island City, N.Y.**

[\*\*] Term: **14 Years**

[21] Appl. No.: **951,419**

[22] Filed: **Sep. 25, 1992**

[52] U.S. Cl. .... **D6/393; D6/388**

[58] Field of Search ..... **D6/382, 388, 389, 393-395, D6/505-508; 5/53.1, 279.1, 281, 131**

## [56] References Cited

### U.S. PATENT DOCUMENTS

D. 104,838	6/1937	Feldman	.....	D6/388
1,700,338	1/1929	Scoggins	.....	5/279.1 X

## OTHER PUBLICATIONS

Thomasville-Prestige II-headboard at top. IKEA 1991, p. 104, Alesund Bed.

*Primary Examiner*—Nelson C. Holtje  
*Assistant Examiner*—J. E. Seeger  
*Attorney, Agent, or Firm*—Darby & Darby

## [57] CLAIM

The design for a bed frame, as shown and described.

## DESCRIPTION

FIG. 1 is a top perspective view of a bed frame showing my new design;  
FIG. 2 is a top plan view thereof;  
FIG. 3 is a front elevational view thereof;  
FIG. 4 is a rear elevational view thereof;  
FIG. 5 is a left side elevational view thereof, the right side being a mirror image of the left side shown; and,  
FIG. 6 is a bottom plan view.

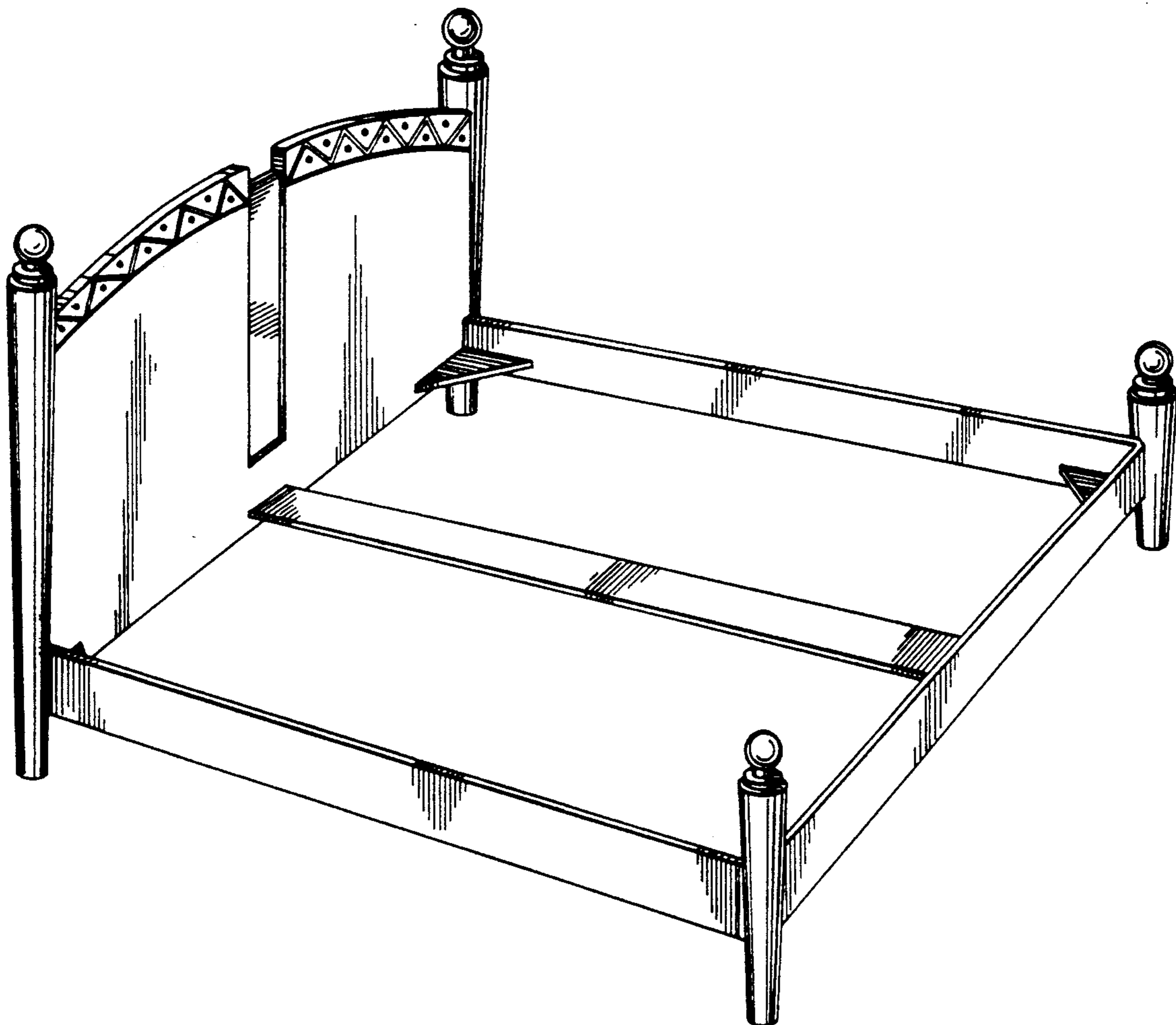


FIG. 1

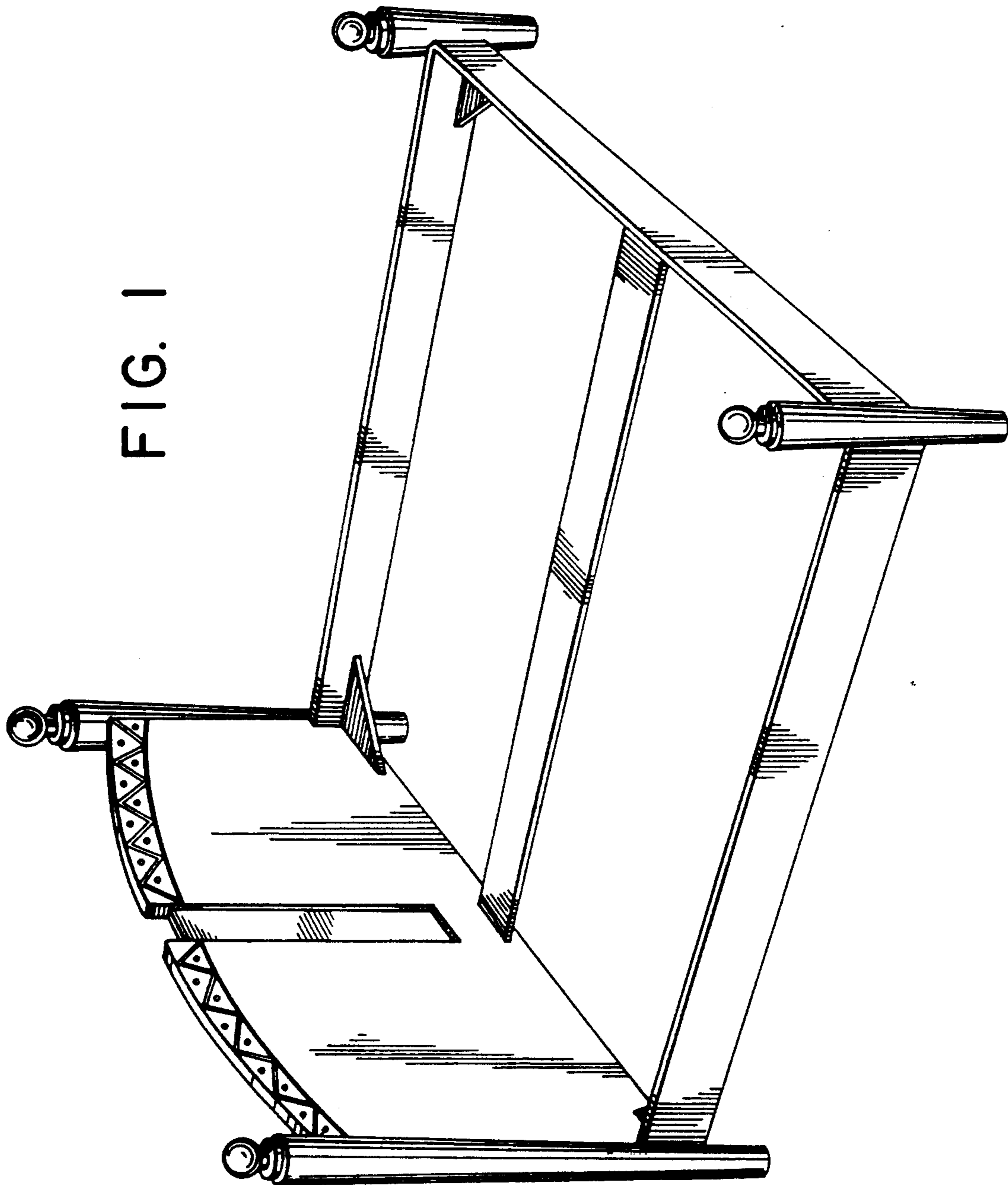


FIG. 2

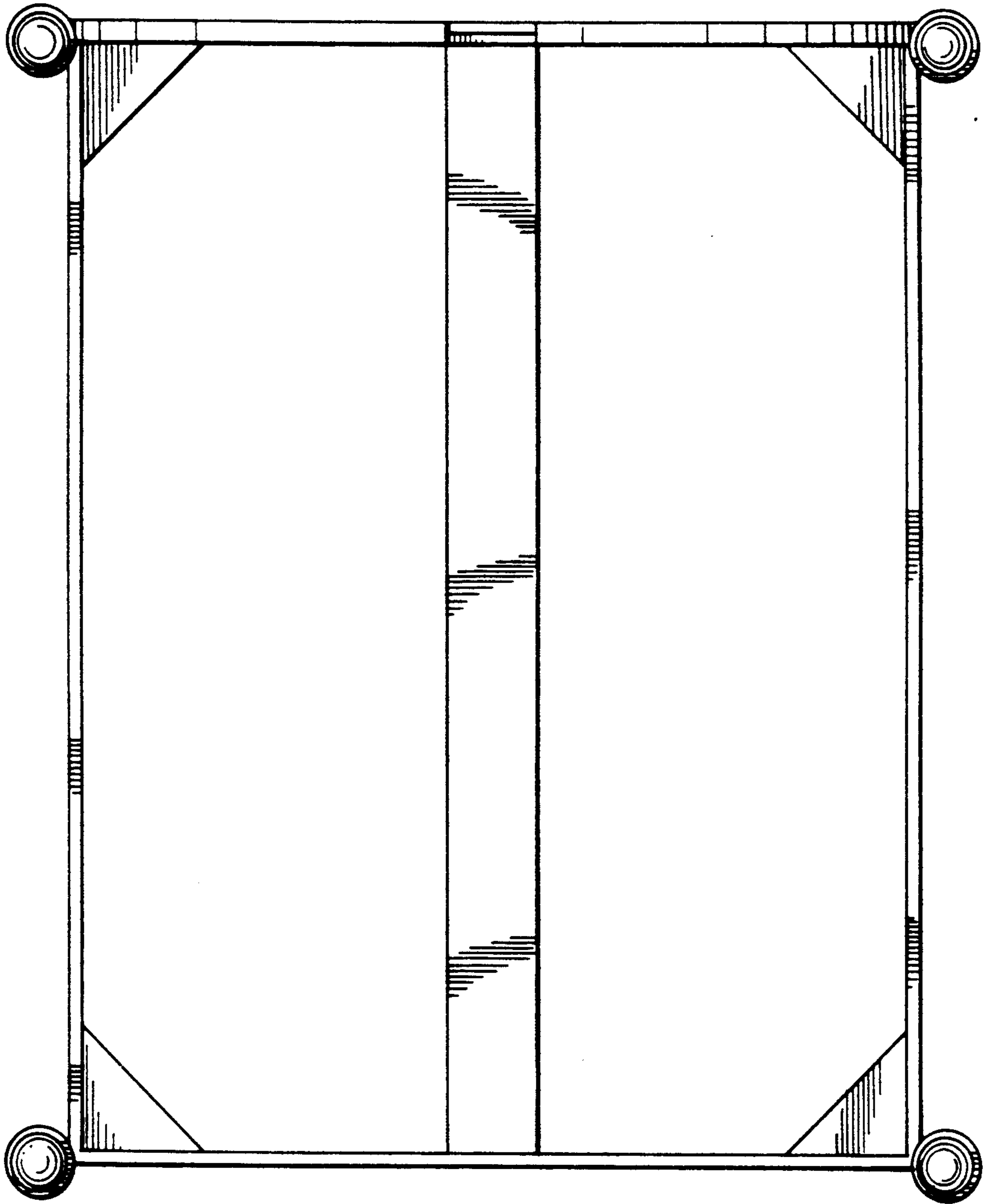


FIG. 3

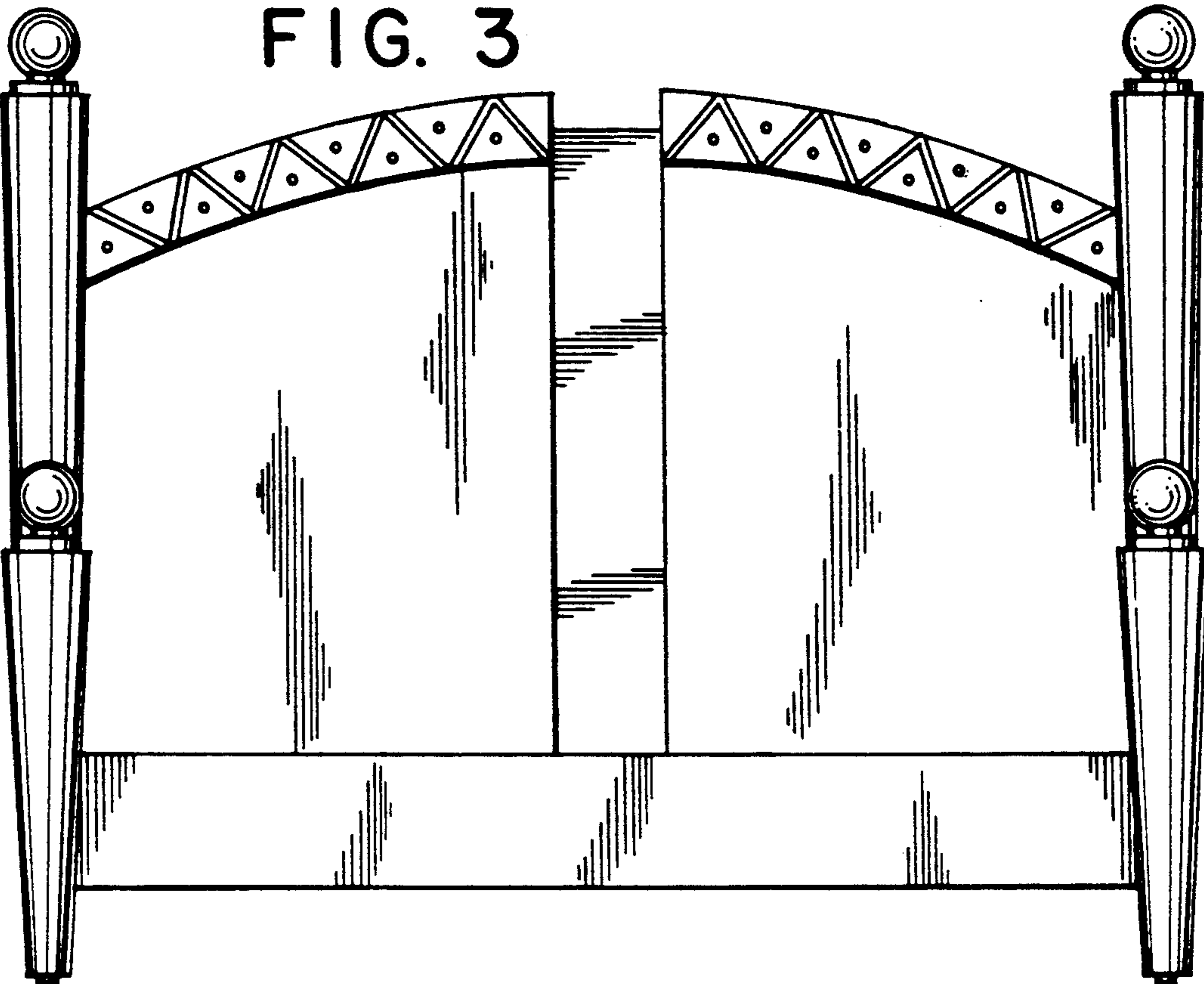


FIG. 4

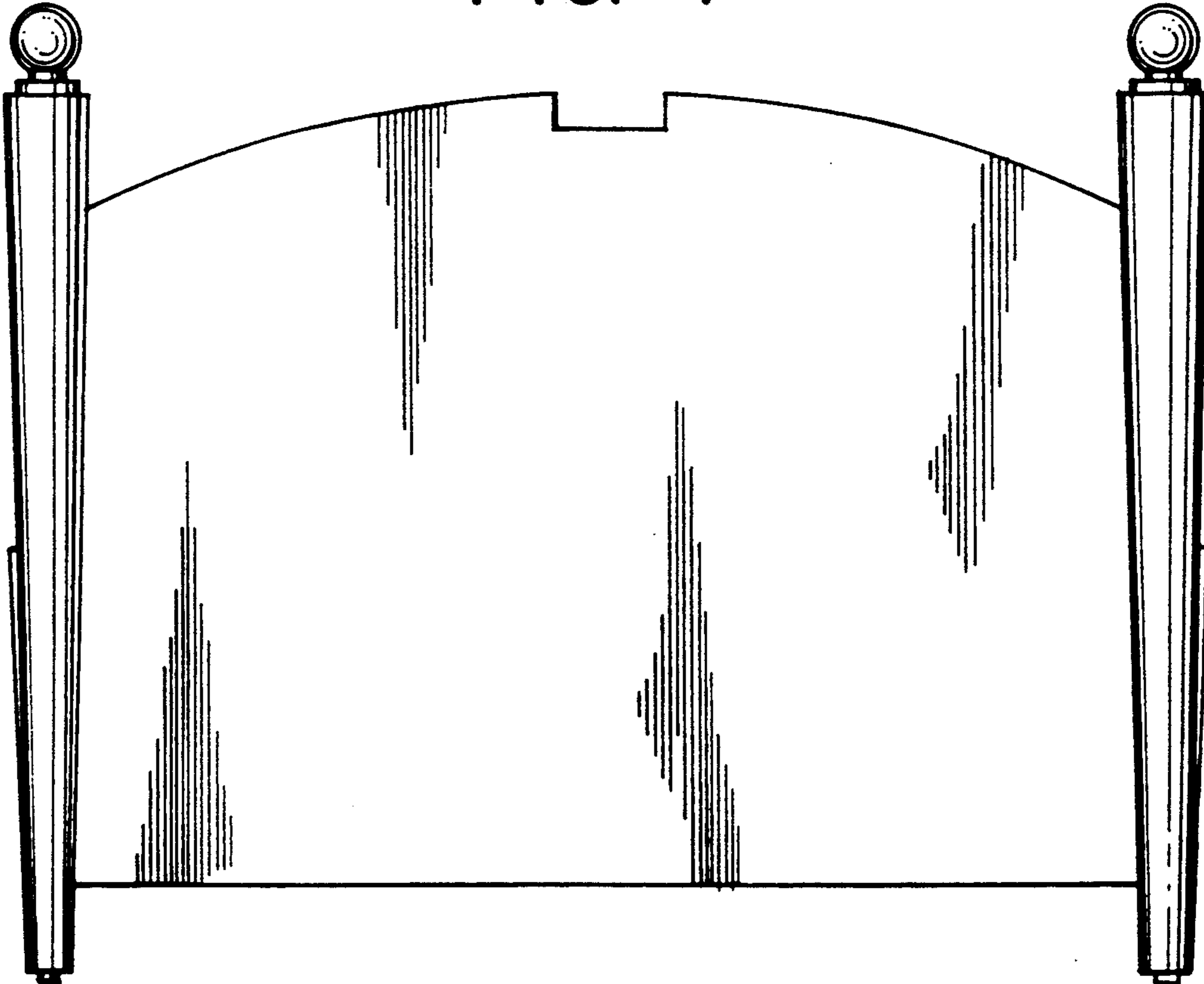


FIG. 5

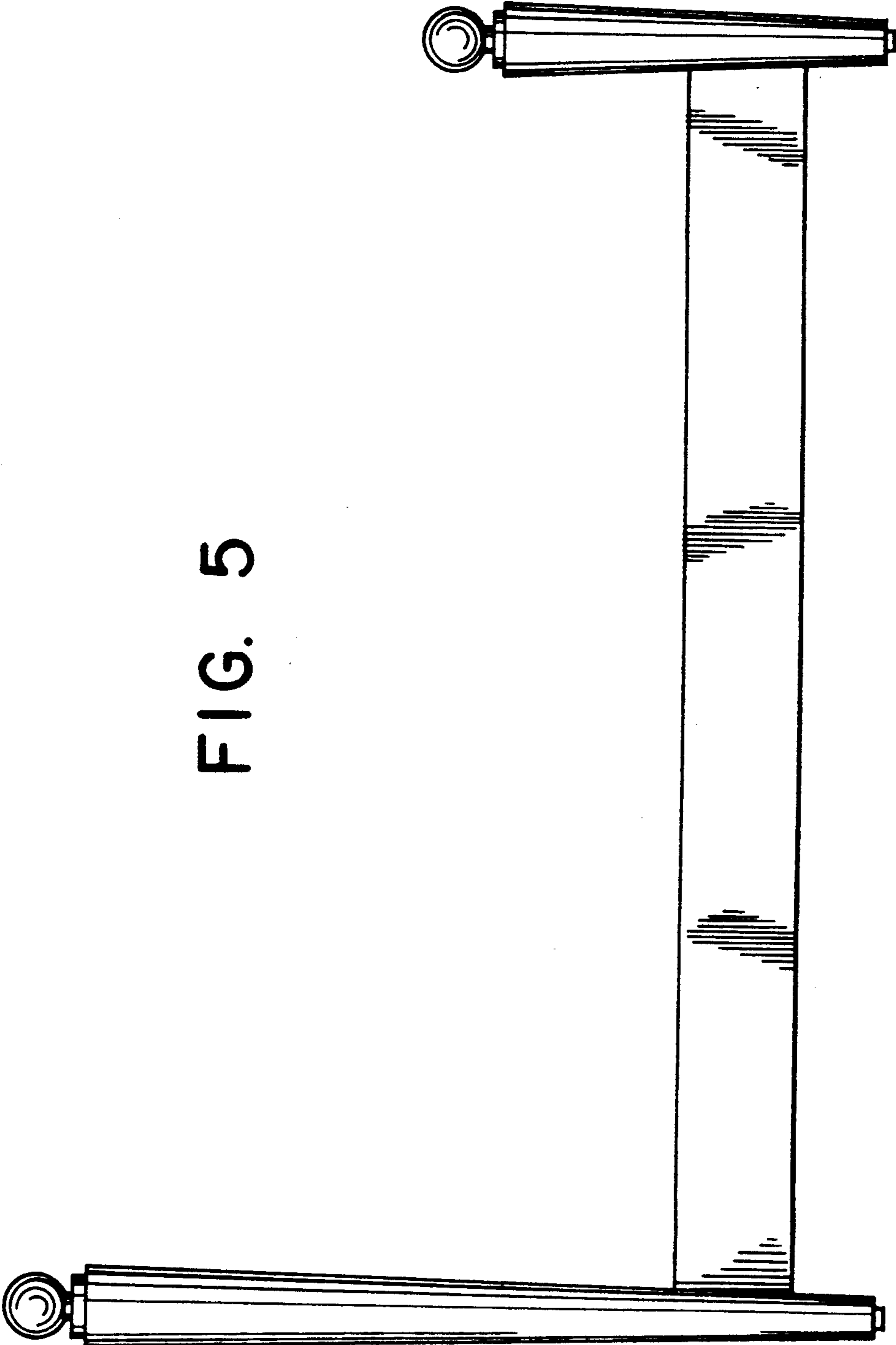


FIG. 6

