



US00D344642S

United States Patent [19]

[11] Patent Number: **Des. 344,642**

Artz

[45] Date of Patent: **** Mar. 1, 1994**

[54] **INFLATABLE CRIB**

[75] Inventor: **Lawrence Artz, Wilton, Conn.**

[73] Assignee: **Babystar, Brooklyn, N.Y.**

[**] Term: **14 Years**

[21] Appl. No.: **940,173**

[22] Filed: **Sep. 3, 1992**

[52] U.S. Cl. **D6/390; D6/391**

[58] Field of Search **D6/382-384, D6/388-395, 505-508; 5/93.1, 93.2, 99.1, 449**

3,833,947	9/1974	Sorensen .	
4,003,098	1/1977	Fink .	
4,104,750	8/1978	Kelter et al. .	
4,340,271	3/1969	Junod-Deile .	
4,750,223	6/1988	D'Arcy et al.	D6/391 X
4,815,153	3/1989	Bleser et al. .	
4,819,284	4/1989	Brown	5/99.1 X
4,827,542	5/1989	Kurtenbach	5/93.1

Primary Examiner—Nelson C. Holtje
Assistant Examiner—J. E. Seeger
Attorney, Agent, or Firm—Amster, Rothstein & Ebenstein

[56] **References Cited**

U.S. PATENT DOCUMENTS

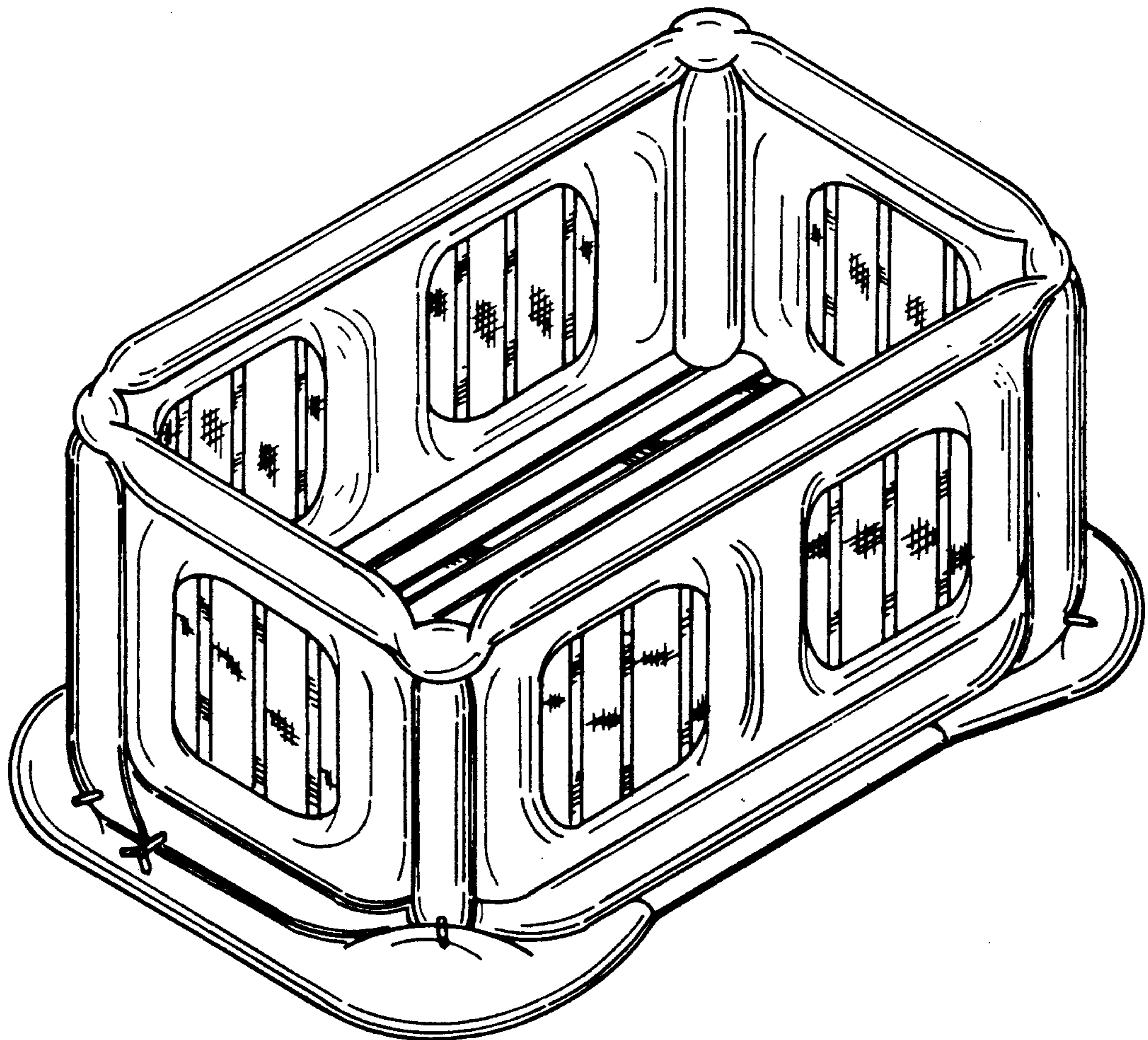
D. 197,551	2/1964	Choy .	
D. 276,384	11/1984	Kroll .	
D. 315,838	4/1991	Penrod .	
2,644,173	7/1953	James .	
3,049,728	8/1962	Lund	5/99.1
3,137,870	6/1964	Fink .	
3,323,147	6/1967	VanDean .	
3,513,489	5/1970	Miller et al. .	
3,619,825	11/1971	Taub et al. .	
3,763,506	10/1973	Szego .	

[57] **CLAIM**

The ornamental design for an inflatable crib, as shown and described.

DESCRIPTION

FIG. 1 is a top, front, left isometric view of an inflatable crib showing my new design, the top, rear, right isometric view being identical except for the absence of the two adjacent valves; and, FIG. 2 is a bottom plan view thereof. The mesh pattern schematically shown is continuous throughout.



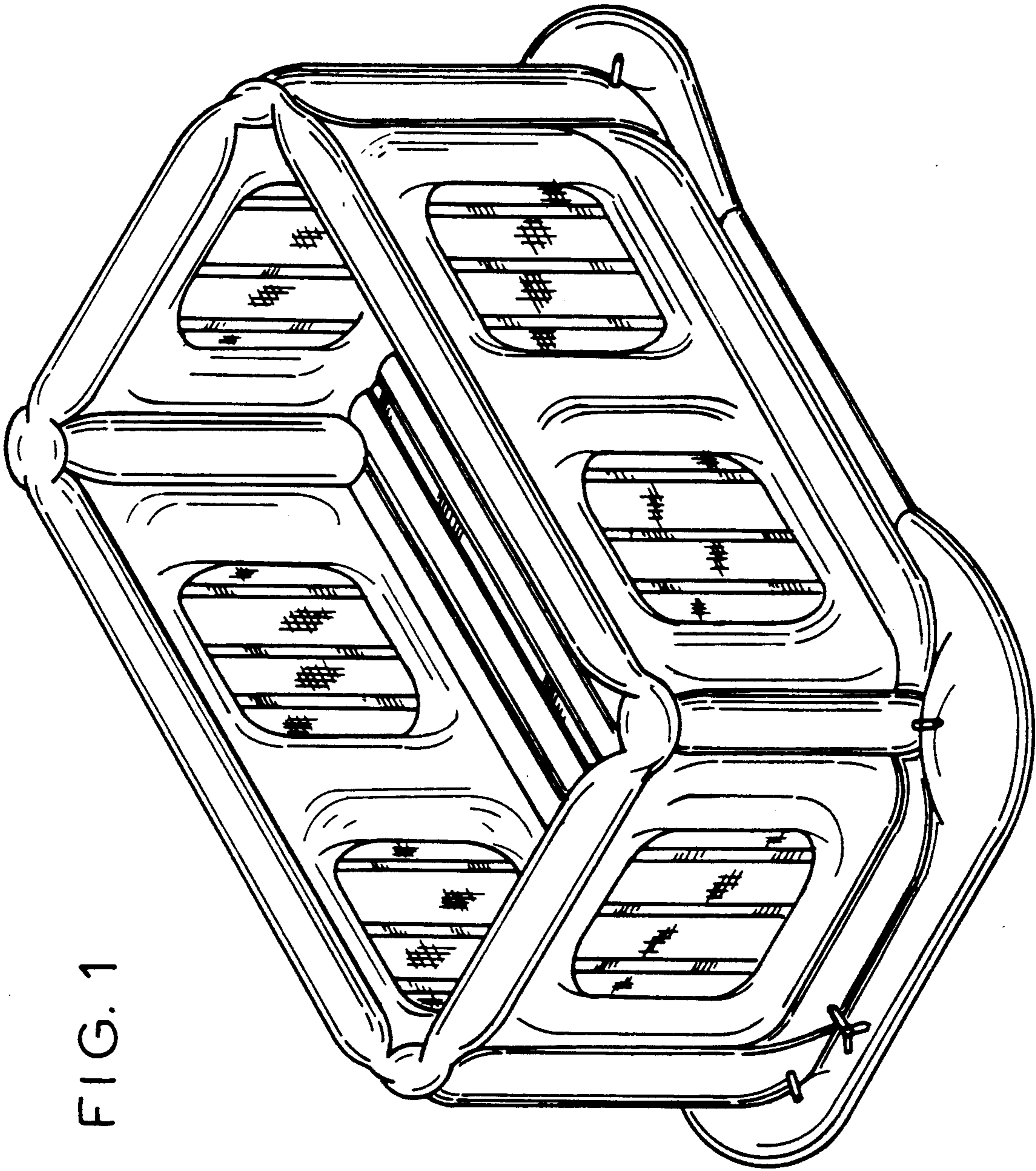


FIG. 1

FIG. 2

