



US00D344640S

# United States Patent [19]

Chuang

[11] Patent Number: **Des. 344,640**

[45] Date of Patent: **\*\* Mar. 1, 1994**

[54] **HIGH CHAIR FOR KIDS**

[76] Inventor: **Ruey-Chang Chuang**, No. 116, San Yuan St., Ku Ting Dist., Taipei, Taiwan

[\*\*] Term: **14 Years**

[21] Appl. No.: **816,047**

[22] Filed: **Jan. 2, 1992**

[52] U.S. Cl. .... **D6/339**

[58] Field of Search ..... **D6/335-340, D6/342; 297/5, 135, 136, 148, 153, 156, 157, 158, 170, 171, 174**

4,019,756 4/1977 Ishida ..... 297/5 X  
 4,615,523 10/1986 Chen ..... 297/5 X  
 4,699,392 10/1987 Ku ..... 297/5 X

*Primary Examiner*—Nelson C. Holtje  
*Assistant Examiner*—J. E. Seeger  
*Attorney, Agent, or Firm*—Bacon & Thomas

### [57] CLAIM

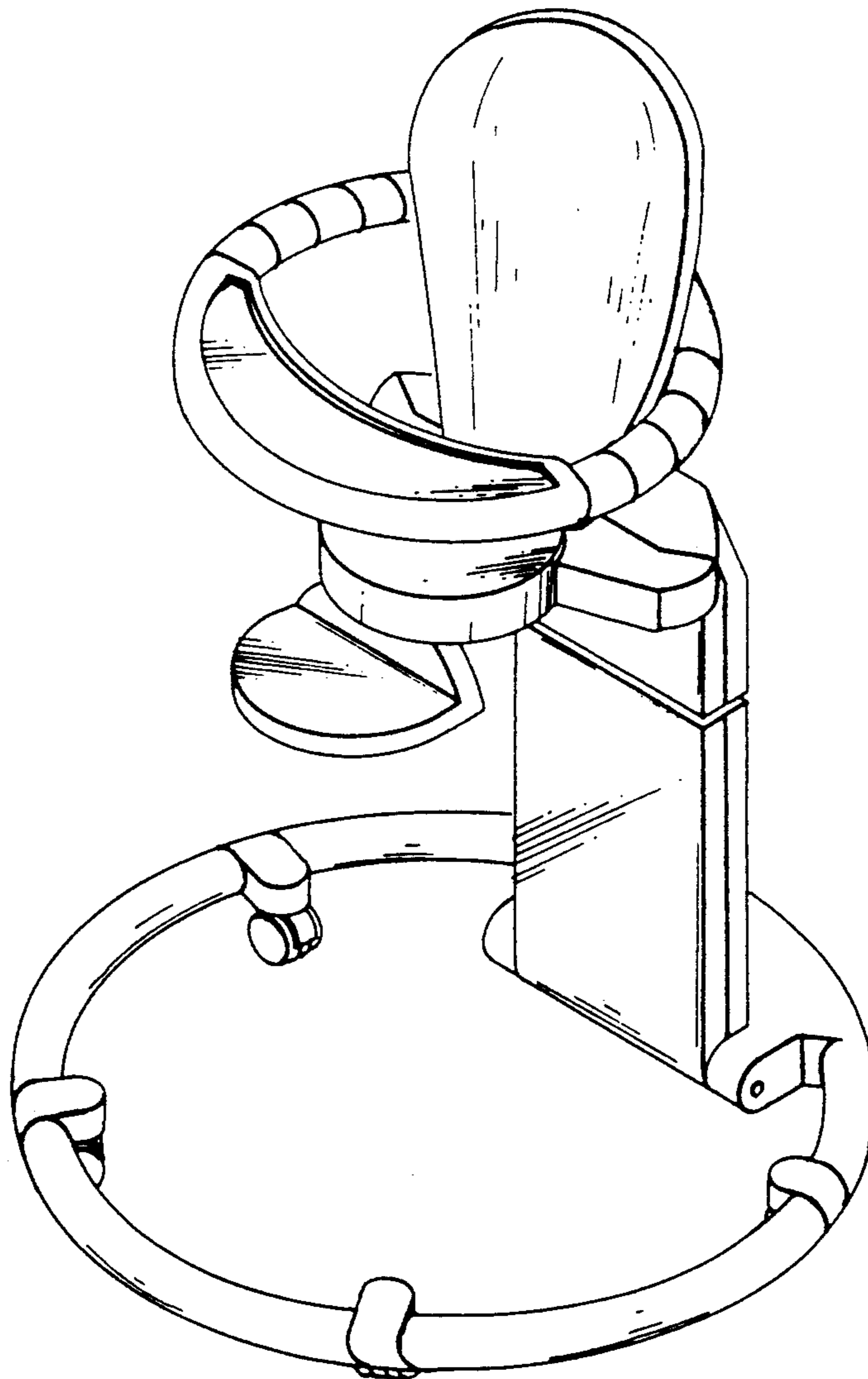
The ornamental design for a high chair for kids, as shown and described.

### DESCRIPTION

FIG. 1 is a front elevational view of the a high chair for kids in accordance with the present invention;  
 FIG. 2 is a back side elevational view thereof;  
 FIG. 3 is a left side view thereof;  
 FIG. 4 is a right side view thereof;  
 FIG. 5 is a top plan view thereof;  
 FIG. 6 is a bottom plan view thereof; and,  
 FIG. 7 is a perspective view thereof.

[56] **References Cited**  
**U.S. PATENT DOCUMENTS**

D. 146,796 5/1947 Johnson ..... 297/136  
 D. 163,619 6/1951 McKean ..... D6/339  
 D. 175,157 7/1955 Crehan ..... D6/338  
 D. 194,668 2/1963 DeVoss ..... D6/340 X



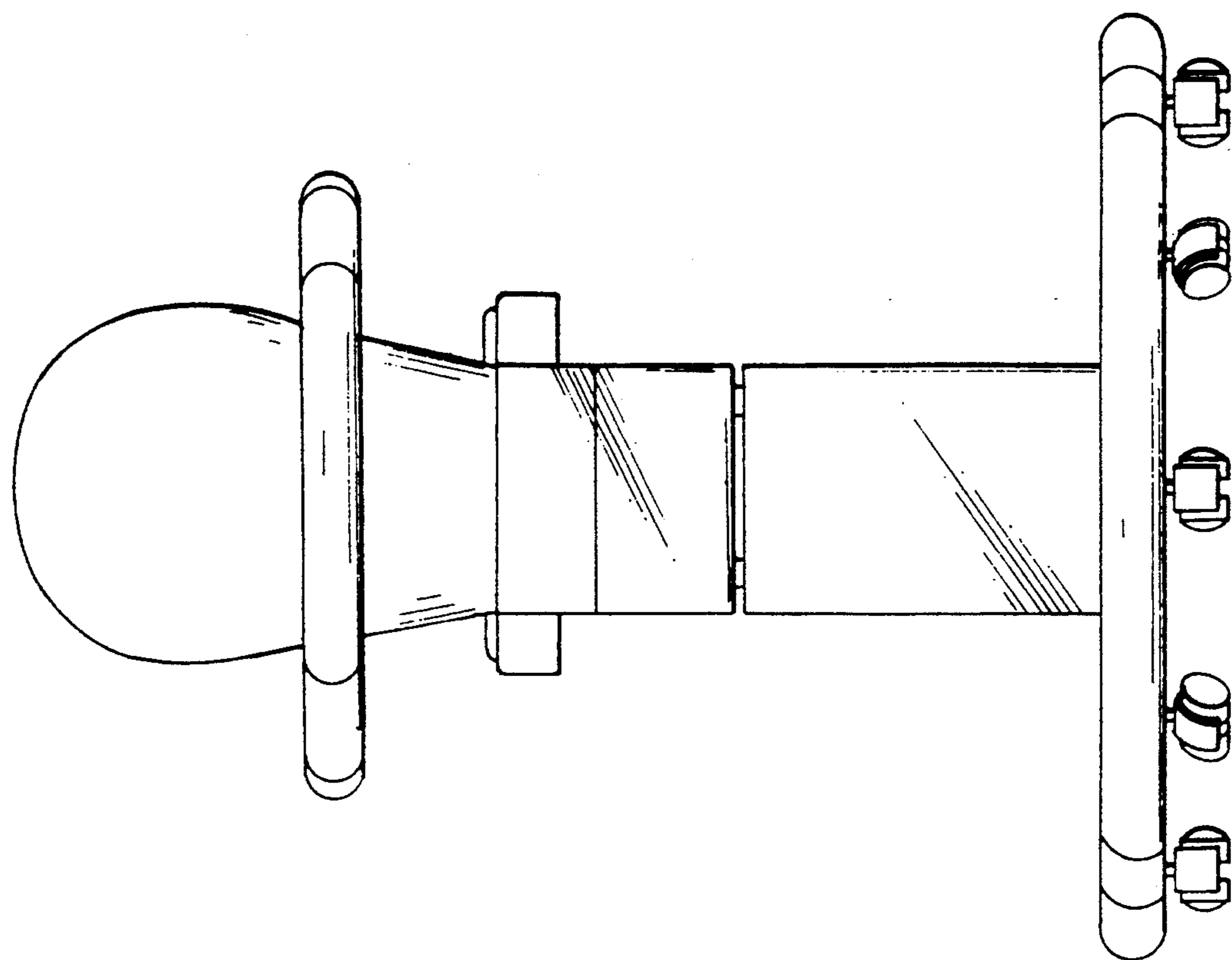


FIG. 1

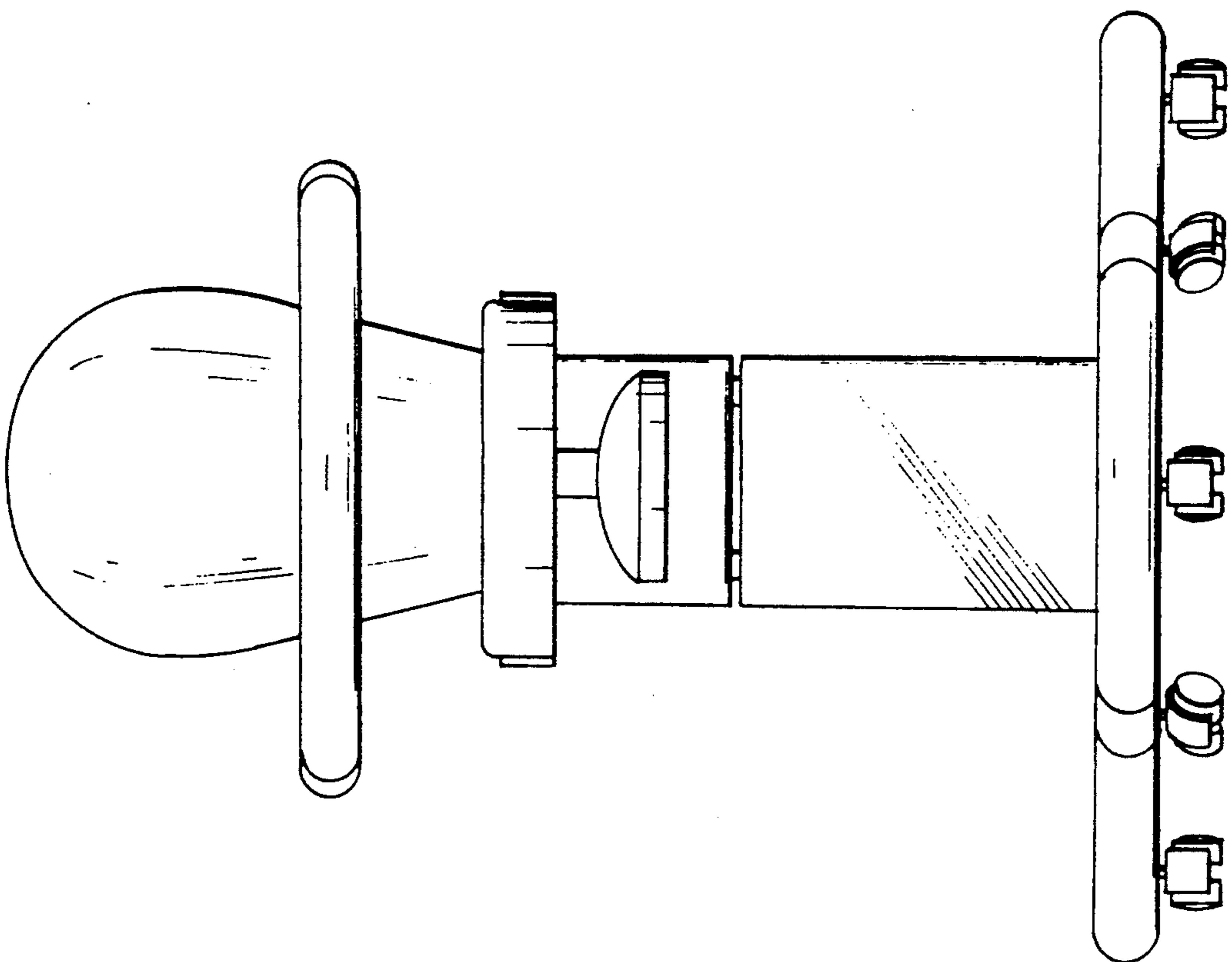


FIG. 2

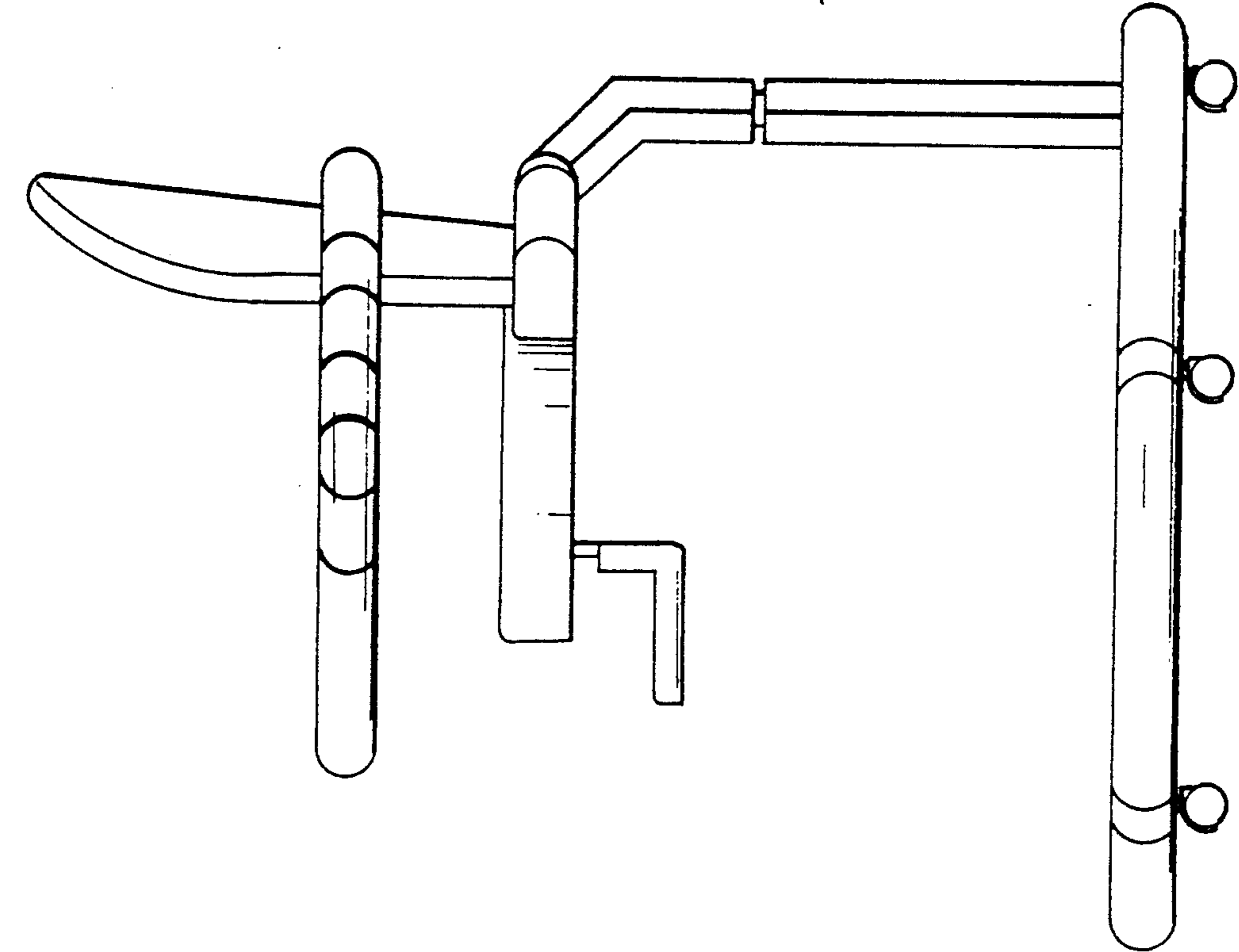


FIG. 3

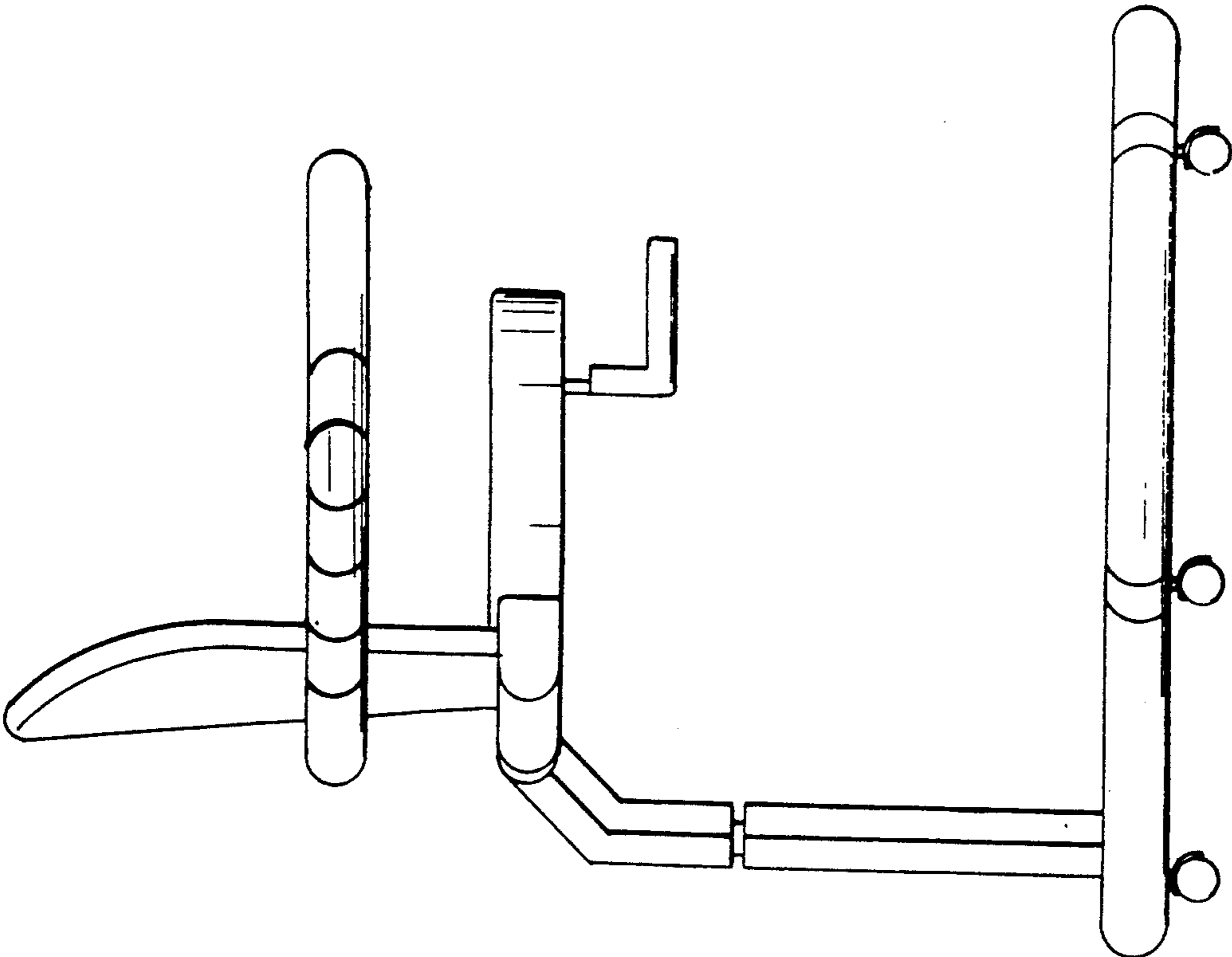


FIG. 4

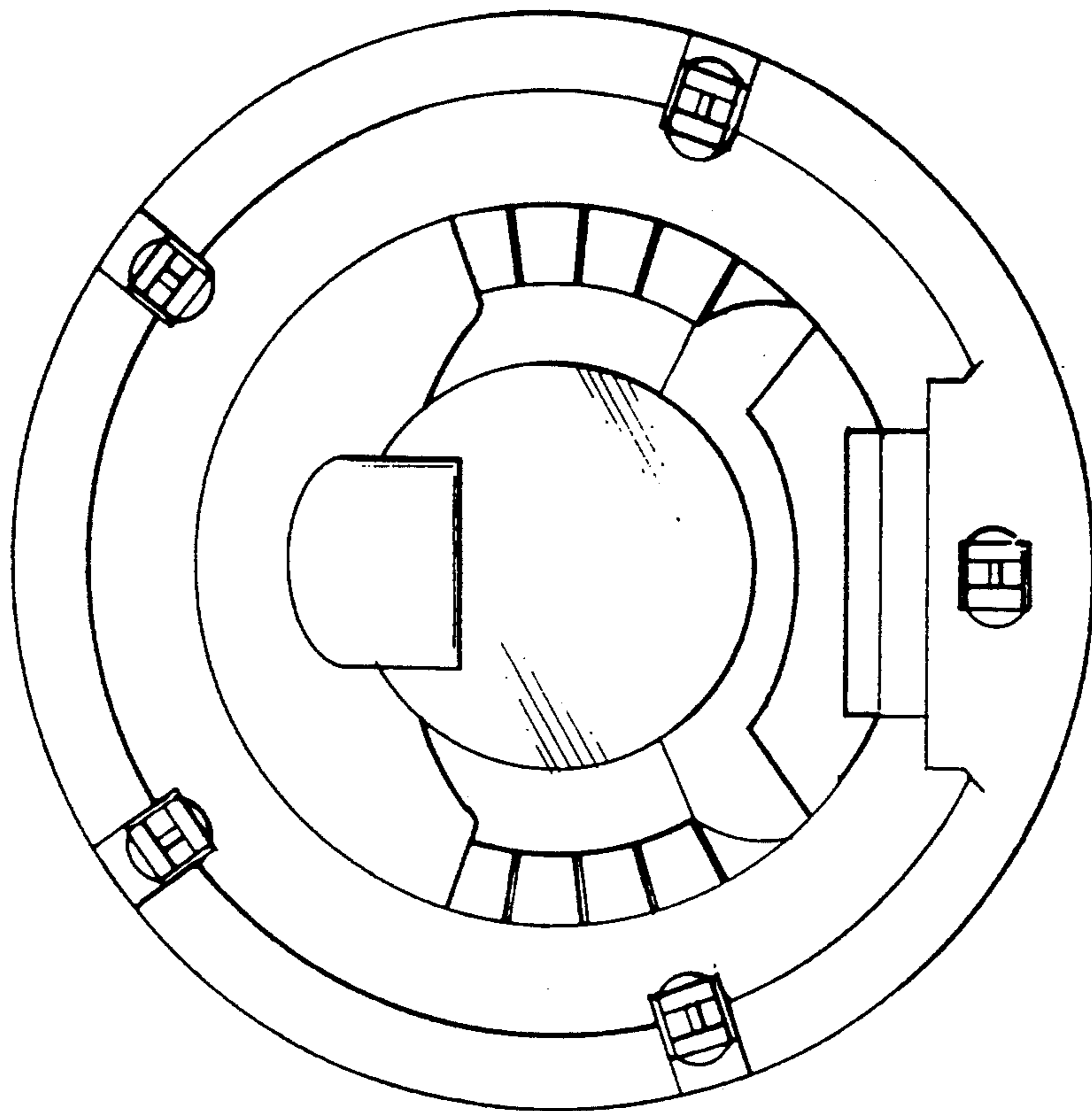


FIG. 5

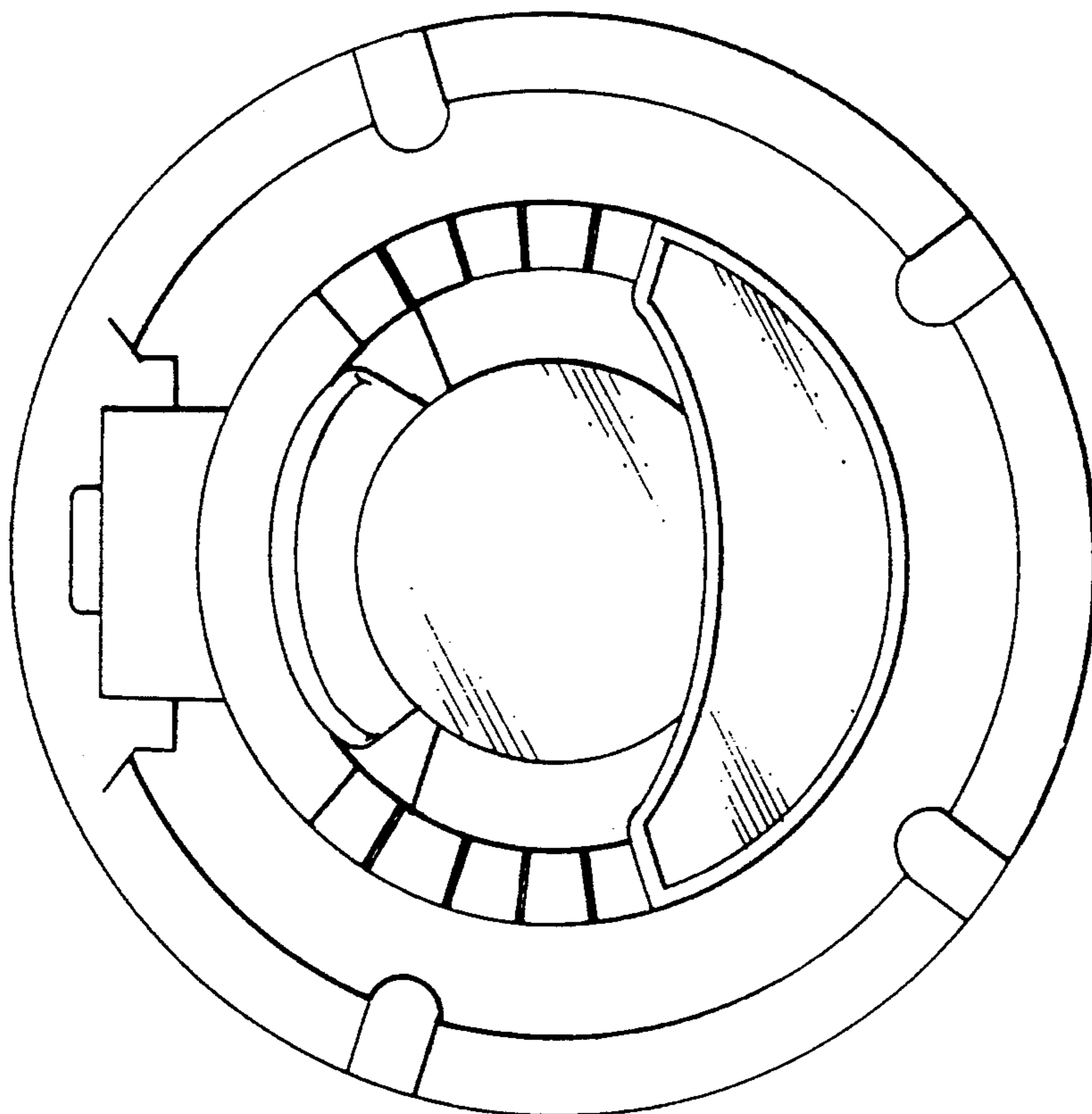


FIG. 6

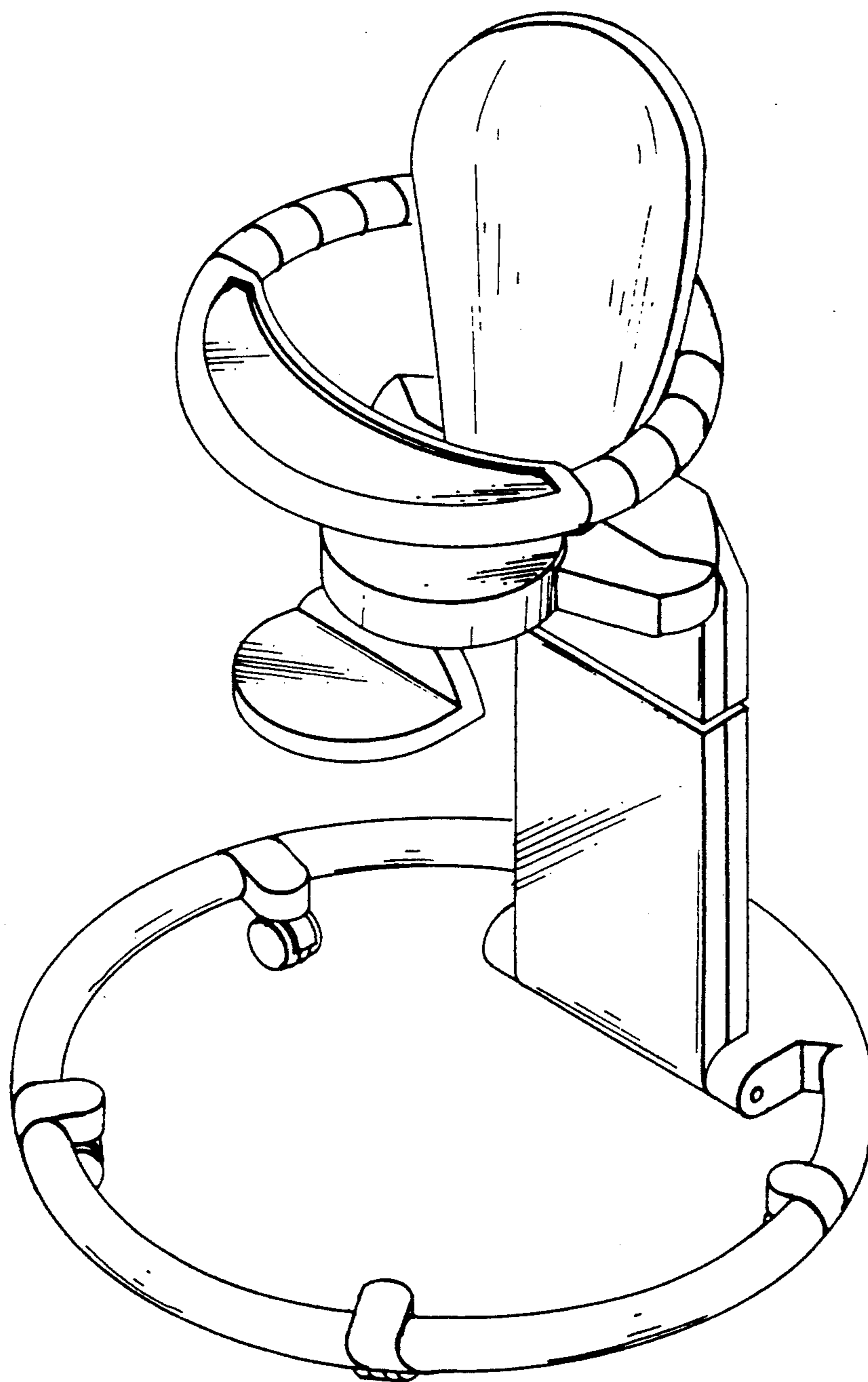


FIG. 7