



US00D344637S

# United States Patent [19]

[11] Patent Number: Des. 344,637

Brown

[45] Date of Patent: \*\* Mar. 1, 1994

## [54] COLLAPSIBLE DISPLAY EASEL

[75] Inventor: Lindsay A. Brown, Irvine, Calif.

[73] Assignee: Pierce Companies, Inc., Santa Ana, Calif.

[\*\*] Term: 14 Years

[21] Appl. No.: 884,780

[22] Filed: May 18, 1992

[52] U.S. Cl. .... D6/310; D19/35; D6/312

[58] Field of Search ..... D6/300-302, D6/310-314; 248/441.1, 449, 448, 464, 465; D19/35

### [56] References Cited

#### U.S. PATENT DOCUMENTS

D. 205,514	8/1966	Rubin .....	D6/311
2,480,952	9/1949	Nilsson .	
3,368,786	2/1968	Bulman .	
3,715,097	2/1973	Kalajian .....	248/449
4,042,203	8/1977	Warkentin .....	248/449
4,690,363	9/1987	Koves .	
5,003,328	3/1991	Gaynor .	
5,205,526	4/1993	Deutsch .....	248/449

## FOREIGN PATENT DOCUMENTS

923264 1/1962 United Kingdom .

*Primary Examiner*—Nelson C. Holtje  
*Assistant Examiner*—J. E. Seeger  
*Attorney, Agent, or Firm*—Price, Gess & Ubell

### [57] CLAIM

The ornamental design for a collapsible display easel, as shown and described.

### DESCRIPTION

FIG. 1 is a perspective view of the design of the present invention;  
FIG. 2 is a top plan view of the design of the present invention;  
FIG. 3 is a bottom plan view of the design of the present invention;  
FIG. 4 is a front plan view of the design of the present invention;  
FIG. 5 is a left side view of the design of the present invention;  
FIG. 6 is a back plan view of the design of the present invention; and,  
FIG. 7 is a right side view of the design of the present invention.

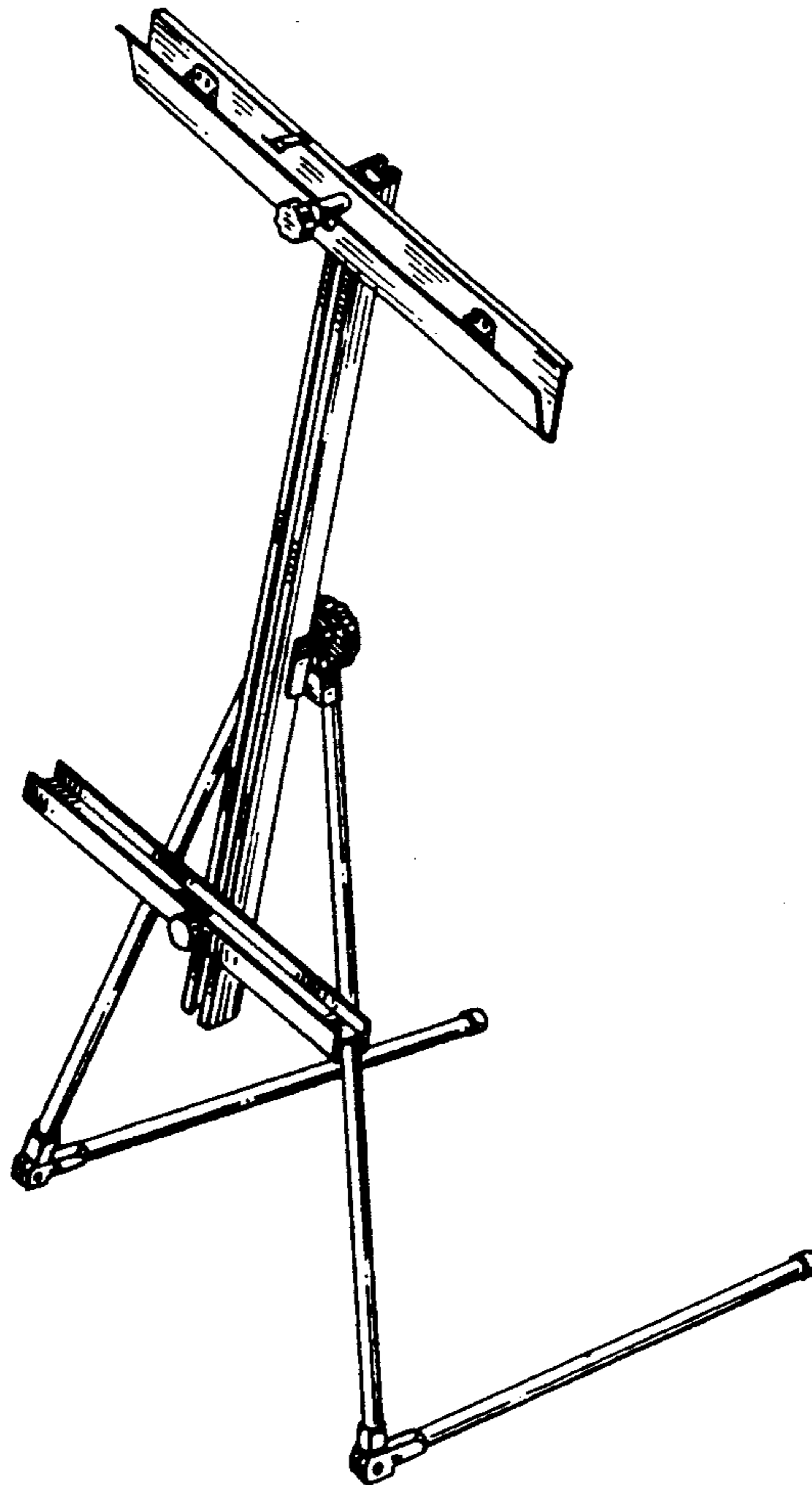


FIG. 1

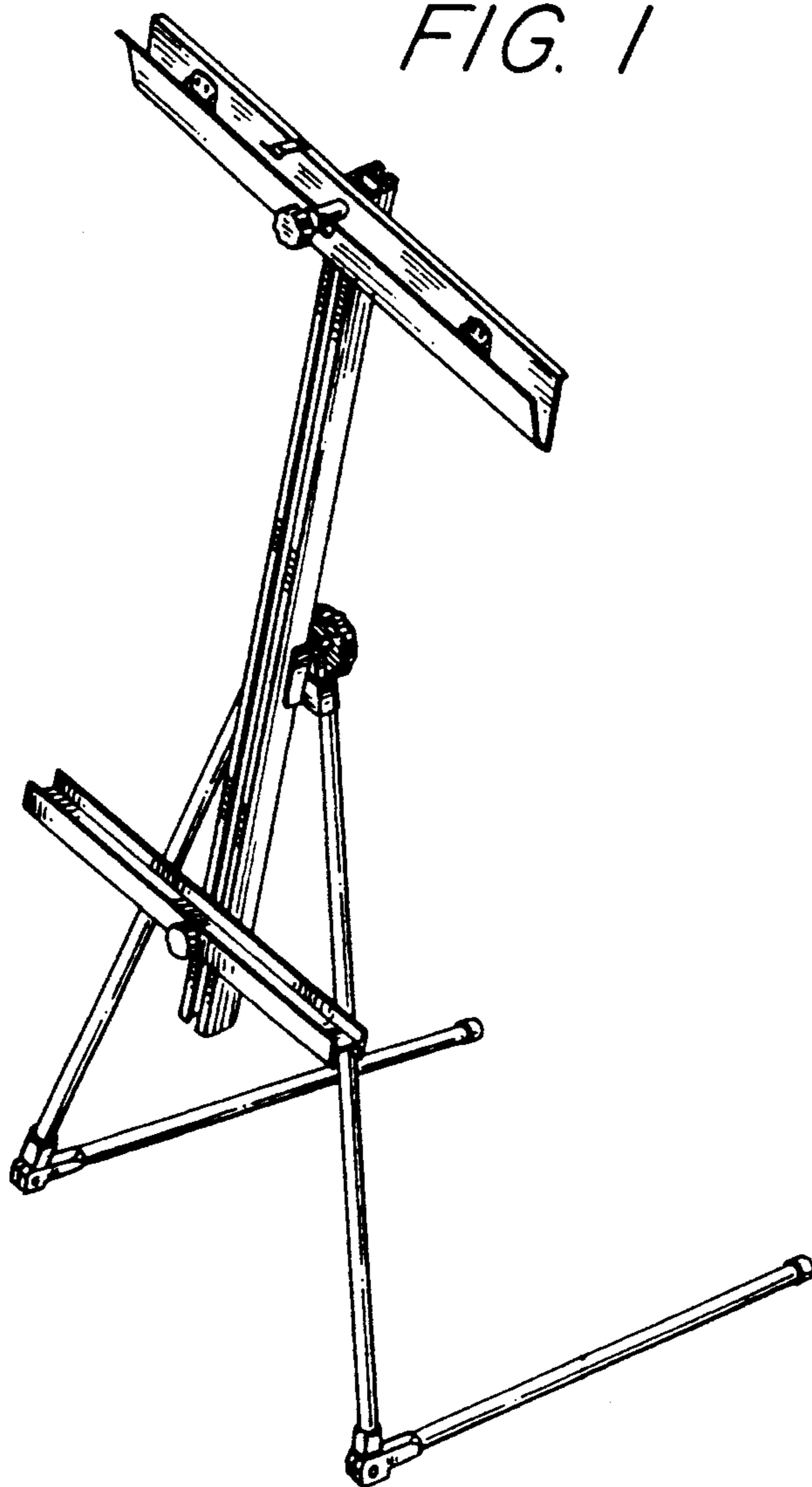


FIG. 2

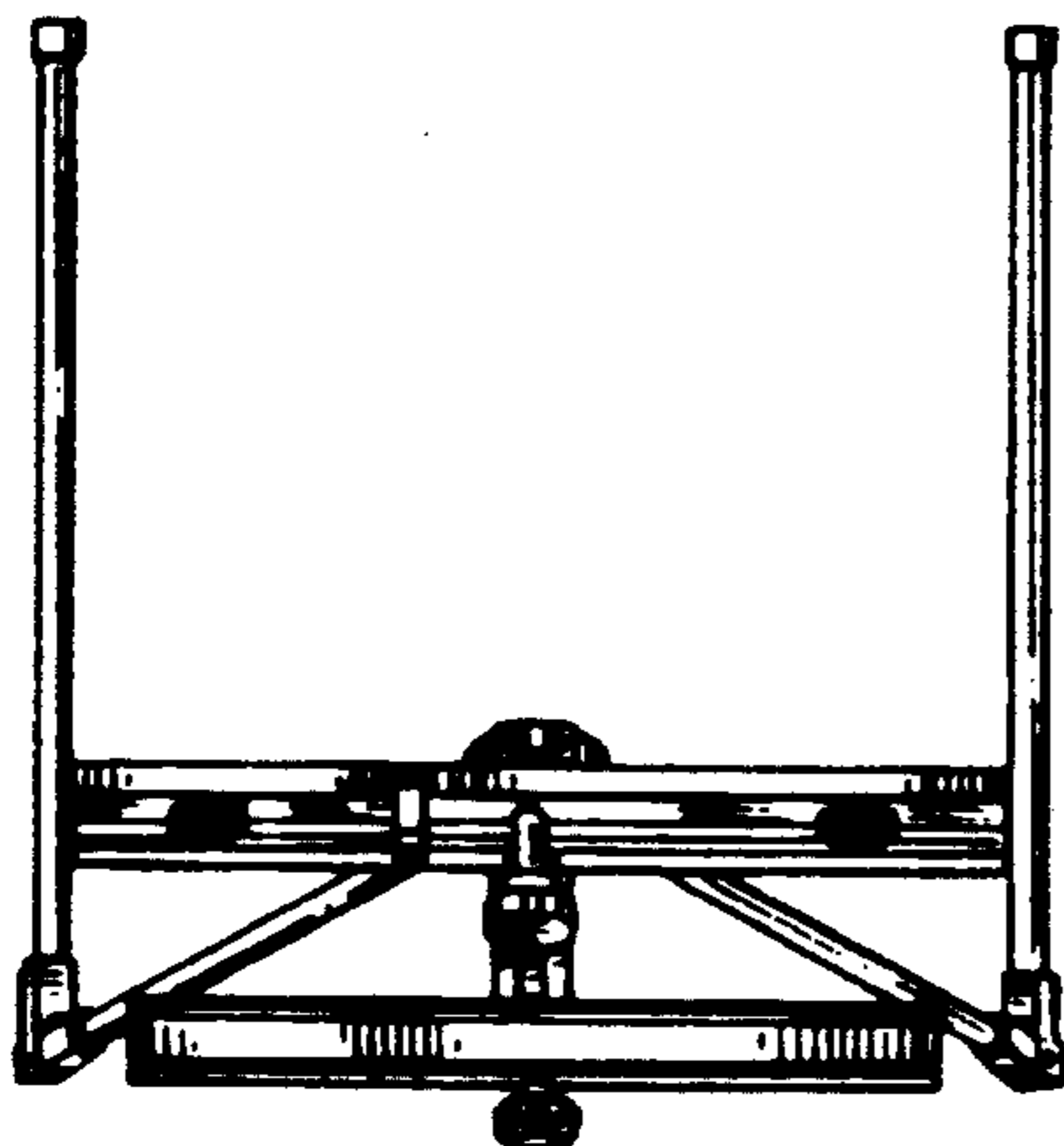


FIG. 3

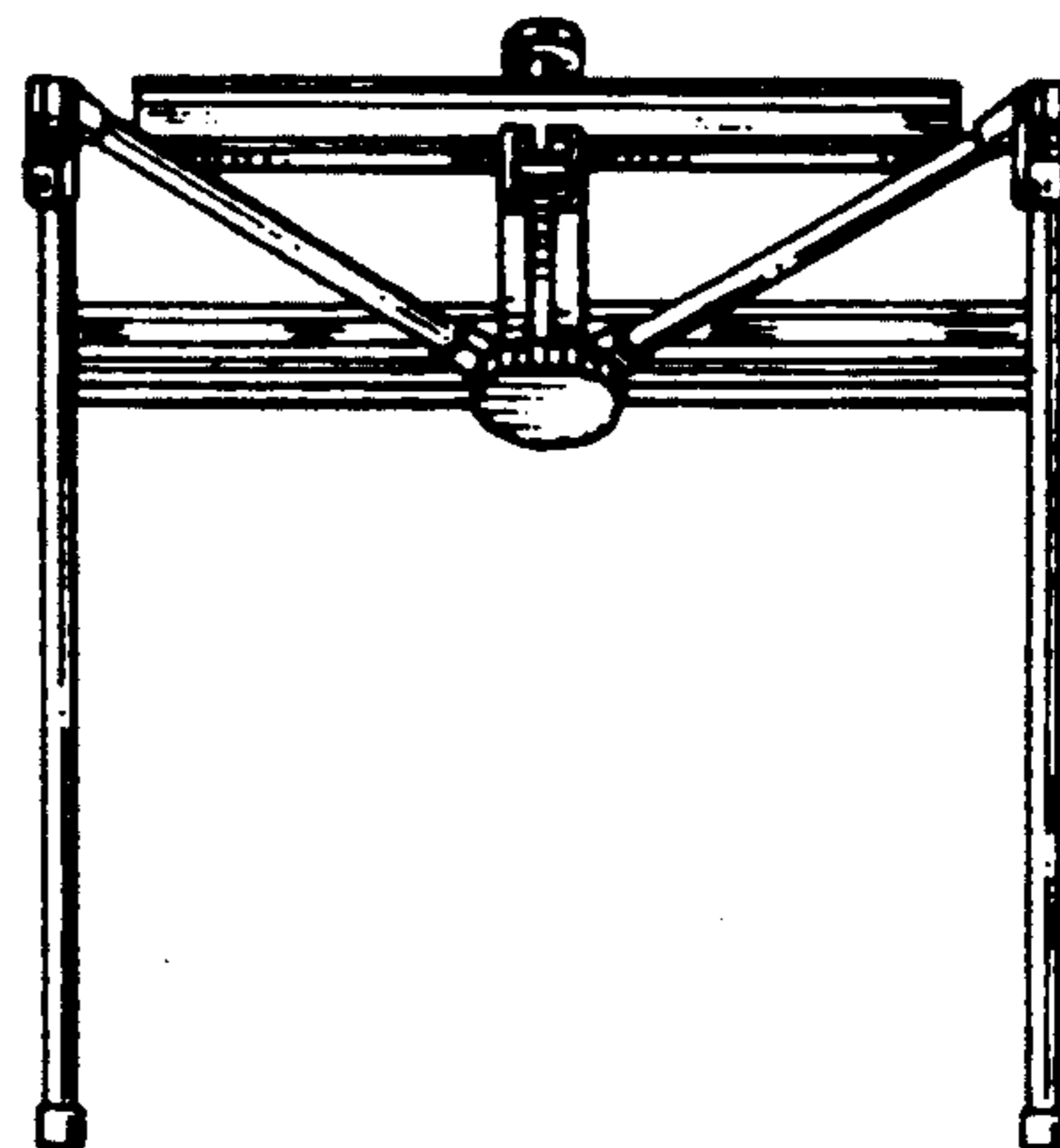


FIG. 4

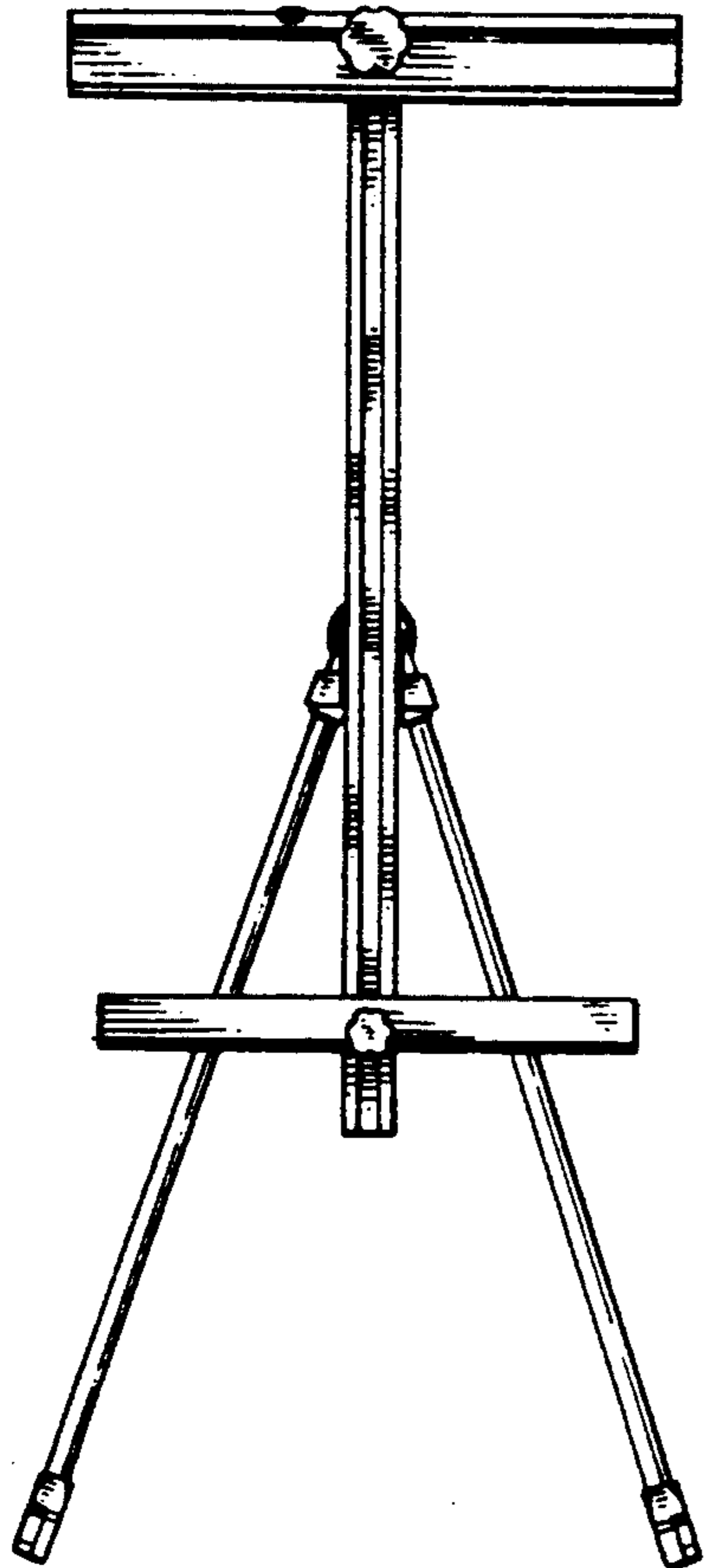


FIG. 5

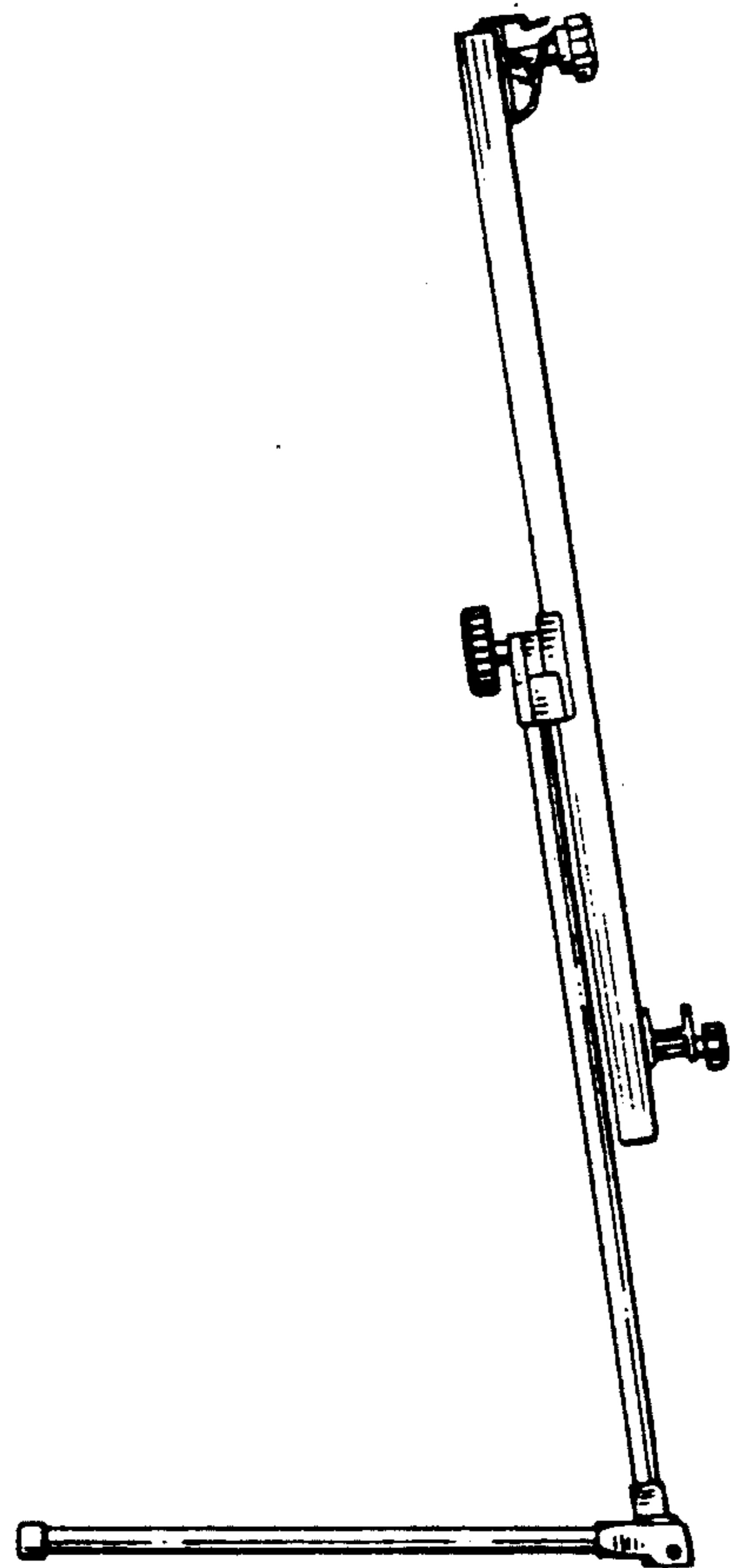


FIG. 6

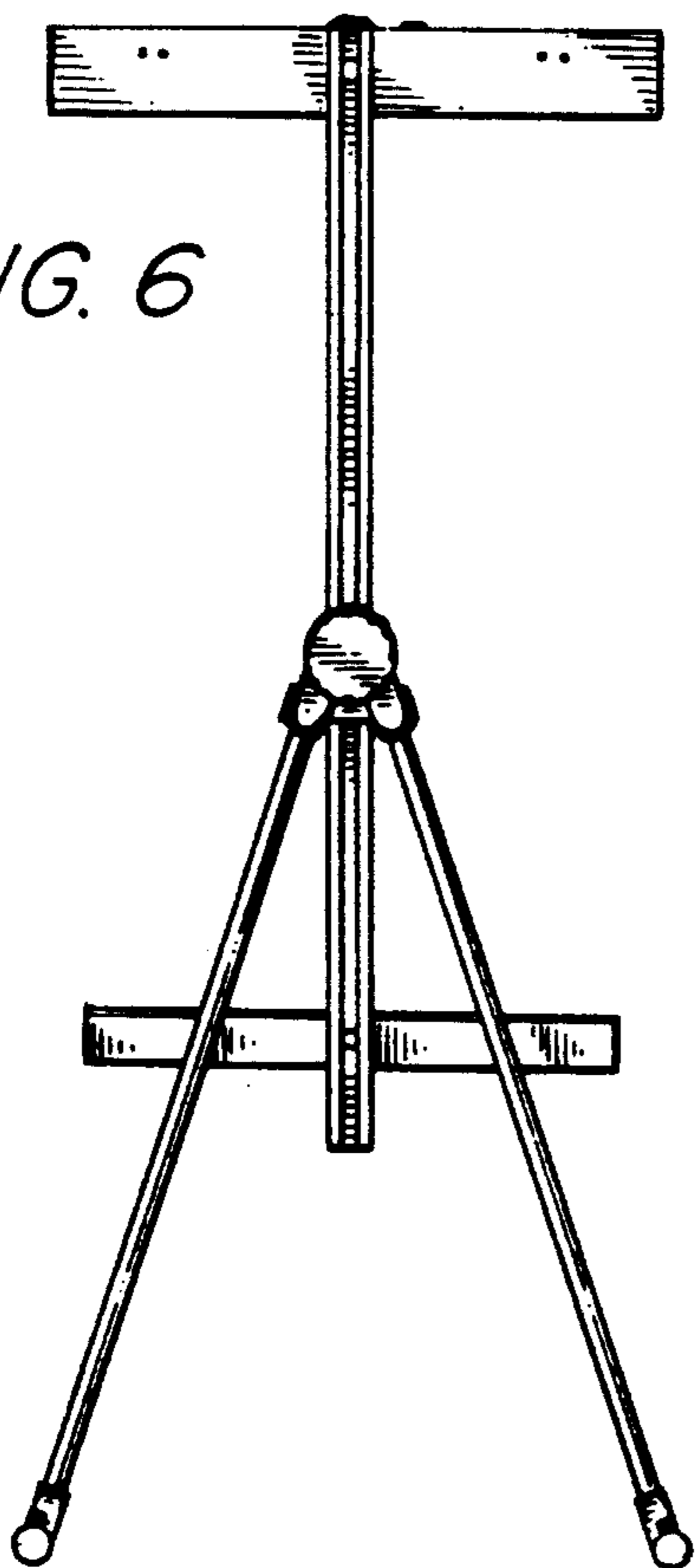


FIG. 7

