



US00D344622S

United States Patent [19]

[11] Patent Number: **Des. 344,622**

Kilgore

[45] Date of Patent: **** Mar. 1, 1994**

- [54] **HEEL INSERT FOR A SHOE SOLE**
- [75] Inventor: **Bruce J. Kilgore, Lake Oswego, Oreg.**
- [73] Assignee: **Nike, Inc., Beaverton, Oreg.**
- [**] Term: **14 Years**
- [21] Appl. No.: **786,934**
- [22] Filed: **Nov. 1, 1991**
- [52] U.S. Cl. **D2/964**
- [58] Field of Search **D2/264, 265, 278, 308-314, D2/317-324; 36/1, 38, 7.8, 28, 29, 35 R, 35 B, 37, 38, 43, 89, 114, 132, 136**

4,680,875	7/1987	Danieli	36/288
4,680,876	7/1987	Peng	36/35 B
4,715,130	12/1987	Scatena	36/28 X
4,722,131	2/1988	Huang .	
4,815,221	3/1989	Diaz	36/28 X
4,817,304	4/1989	Parker et al.	36/114
4,843,741	7/1989	Yung-Mao	36/114
4,878,300	11/1989	Bogaty	36/28 X
4,887,367	12/1989	Mackness et al.	36/28
4,918,838	4/1990	Chang	36/28
4,918,841	4/1990	Turner et al.	36/114
4,936,029	6/1990	Rudy	36/29
4,956,927	9/1990	Misevich et al.	36/28 X
5,014,449	5/1991	Richard et al.	36/114

[56] **References Cited**

U.S. PATENT DOCUMENTS

D. 39,747	1/1909	McKenna .	
D. 136,960	1/1944	Shuford	D2/324
D. 260,196	8/1981	Plagenhoef	D2/319
D. 261,946	11/1981	Trask	D2/322
D. 296,493	7/1988	Diaz	D2/318
D. 308,285	6/1990	Serna	D2/320
507,490	10/1893	Gambino	36/28
622,673	4/1899	Ferrata	36/3 B
1,075,039	10/1913	Keith	36/1
2,048,683	7/1936	Brockman	36/35 R
2,710,460	6/1955	Stasinos	36/28 X
2,985,971	8/1960	Murawski	36/29
3,822,490	7/1974	Murawski	36/35 R
4,223,457	9/1980	Borgeas	36/37 X
4,237,625	12/1980	Cole et al.	36/28
4,322,892	4/1982	Inohora	36/29
4,438,573	3/1984	McBarron	36/3 B
4,535,553	8/1985	Derderian et al.	36/28
4,573,279	3/1986	Feurer-Zogel et al.	36/35 R
4,611,412	9/1986	Cohen	36/28
4,616,431	10/1986	Dassler	36/28
4,660,299	4/1987	Omilusik	36/78
4,663,865	5/1987	Telecemian	36/114

FOREIGN PATENT DOCUMENTS

1227420	8/1960	France .
15226637A1	12/1989	U.S.S.R. .

Primary Examiner—Louis S. Zarfaz
Attorney, Agent, or Firm—Banner, Birch, McKie & Beckett

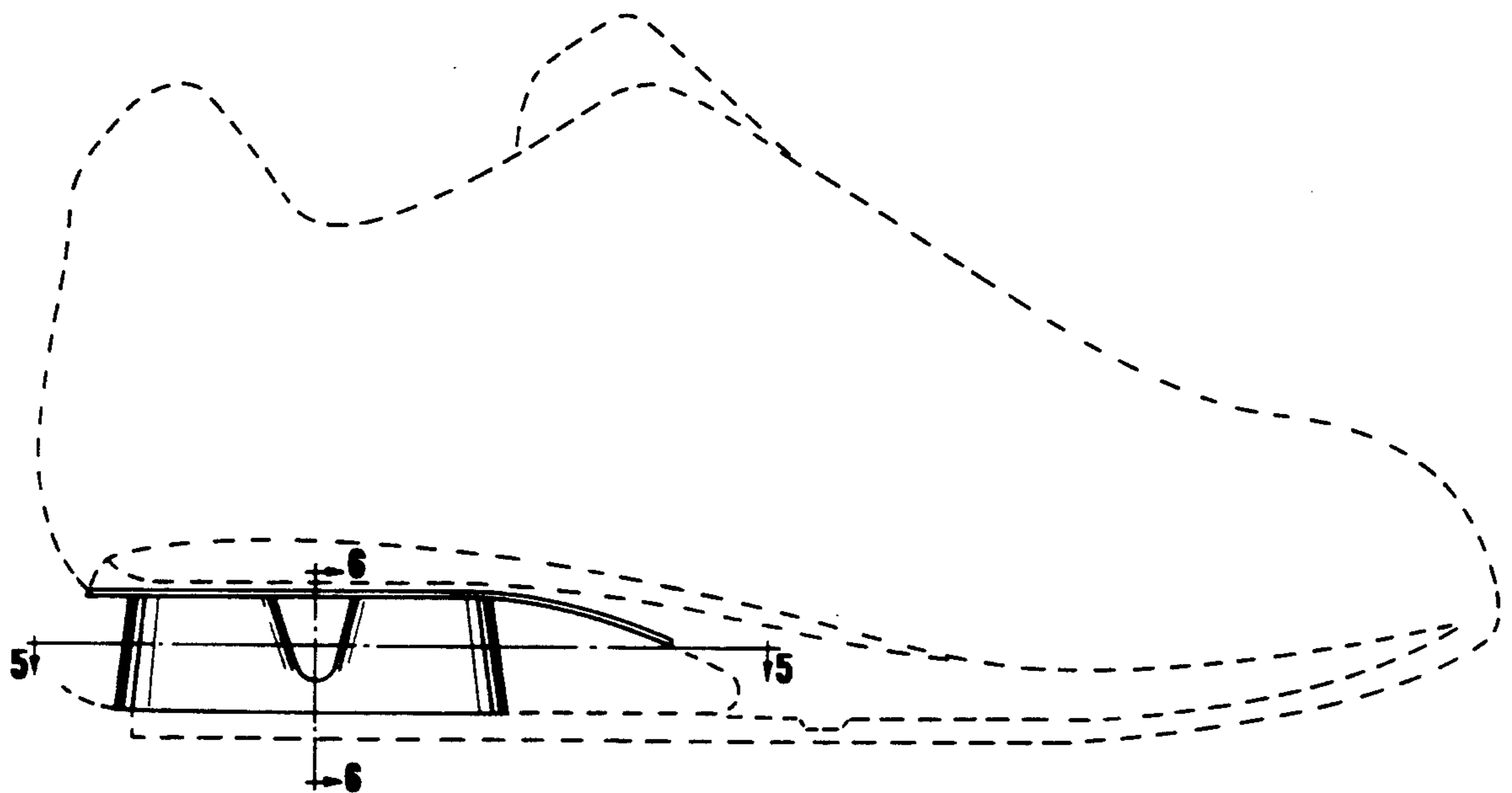
[57] **CLAIM**

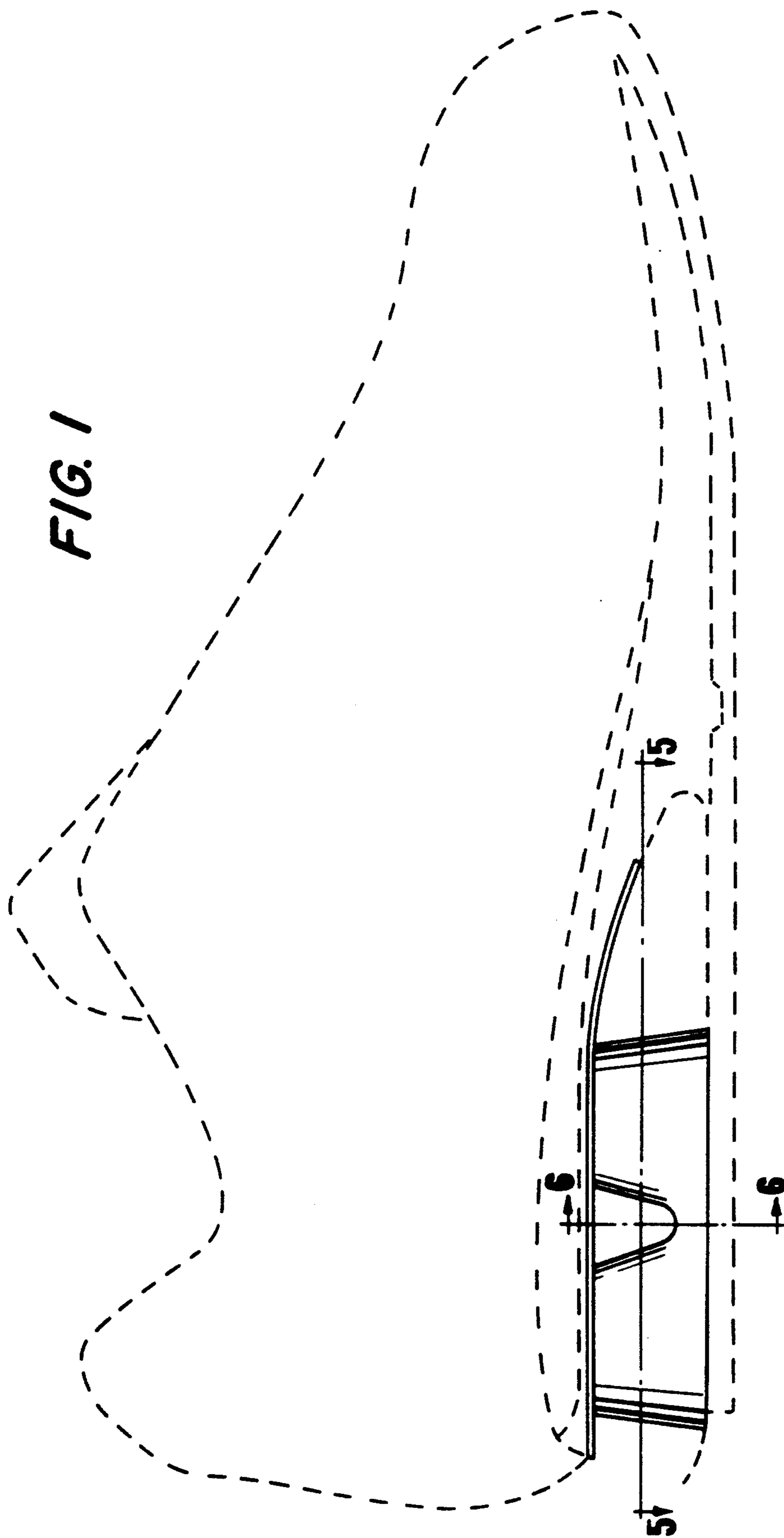
The ornamental design for a heel insert for a shoe sole, as shown and described.

DESCRIPTION

FIG. 1 is a left side elevational view of a heel insert for a shoe sole showing my new design;
FIG. 2 is a right side elevational view;
FIG. 3 is a top plan view;
FIG. 4 is a rear elevational view;
FIG. 5 is a cross-sectional view taken on line 5—5 of FIG. 1; and
FIG. 6 is a cross-sectional view taken on line 6—6 of FIG. 1.

The broken line showing of the remaining portions of the shoe sole and upper is for illustrative purposes only and forms no part of the claimed design.





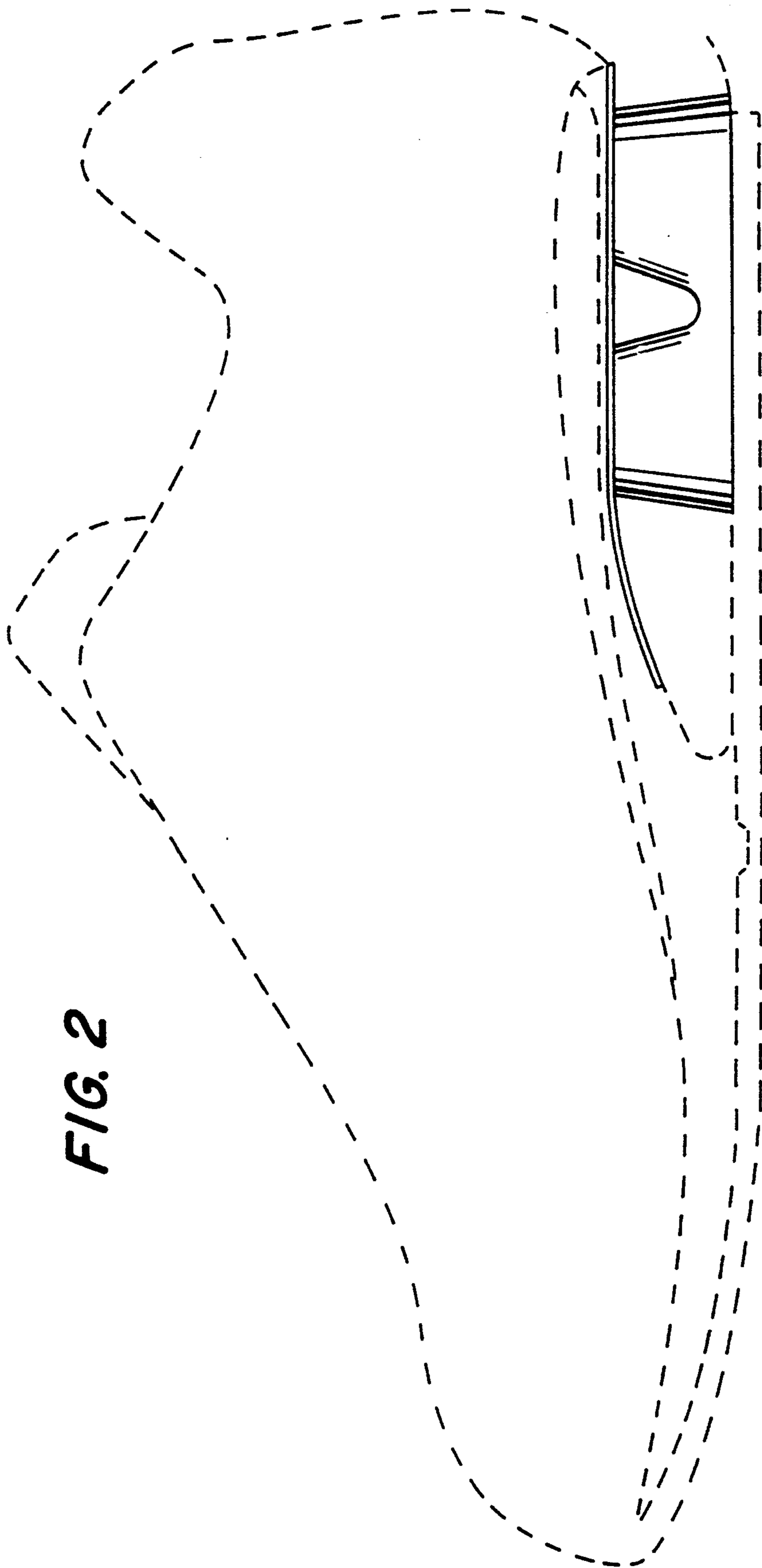


FIG. 2

FIG. 3

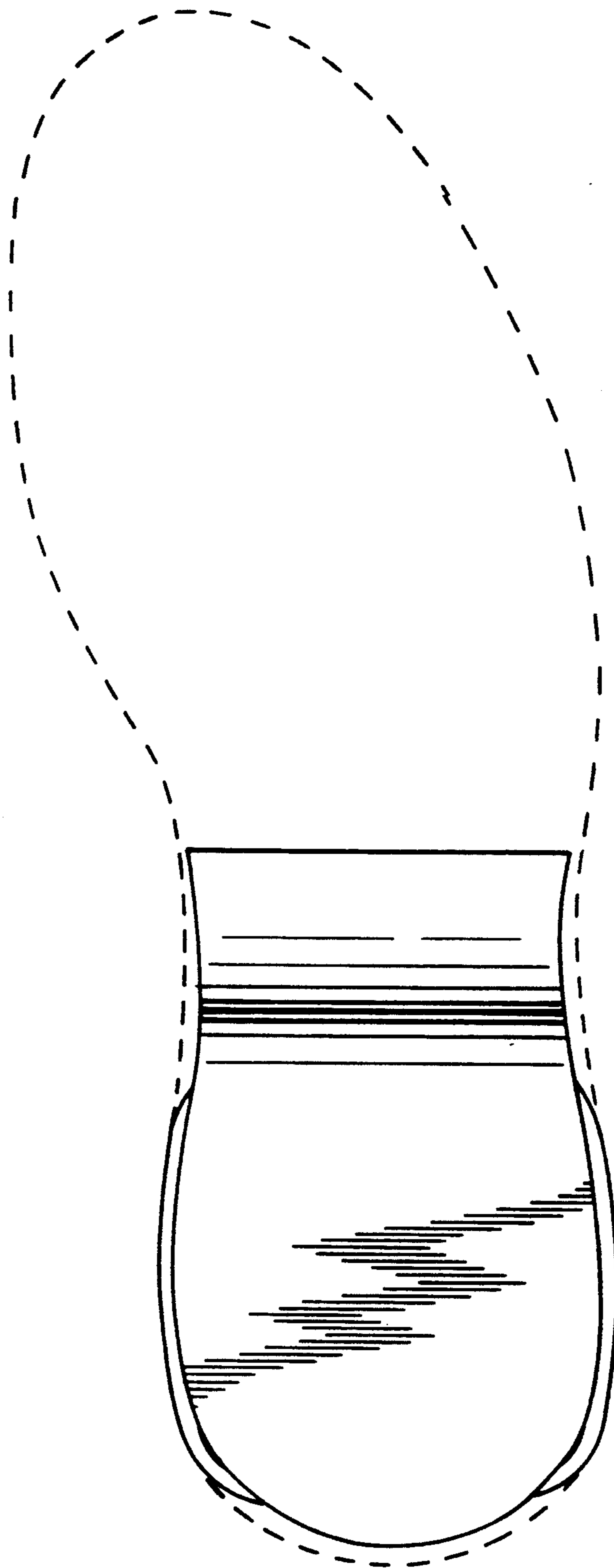


FIG. 5

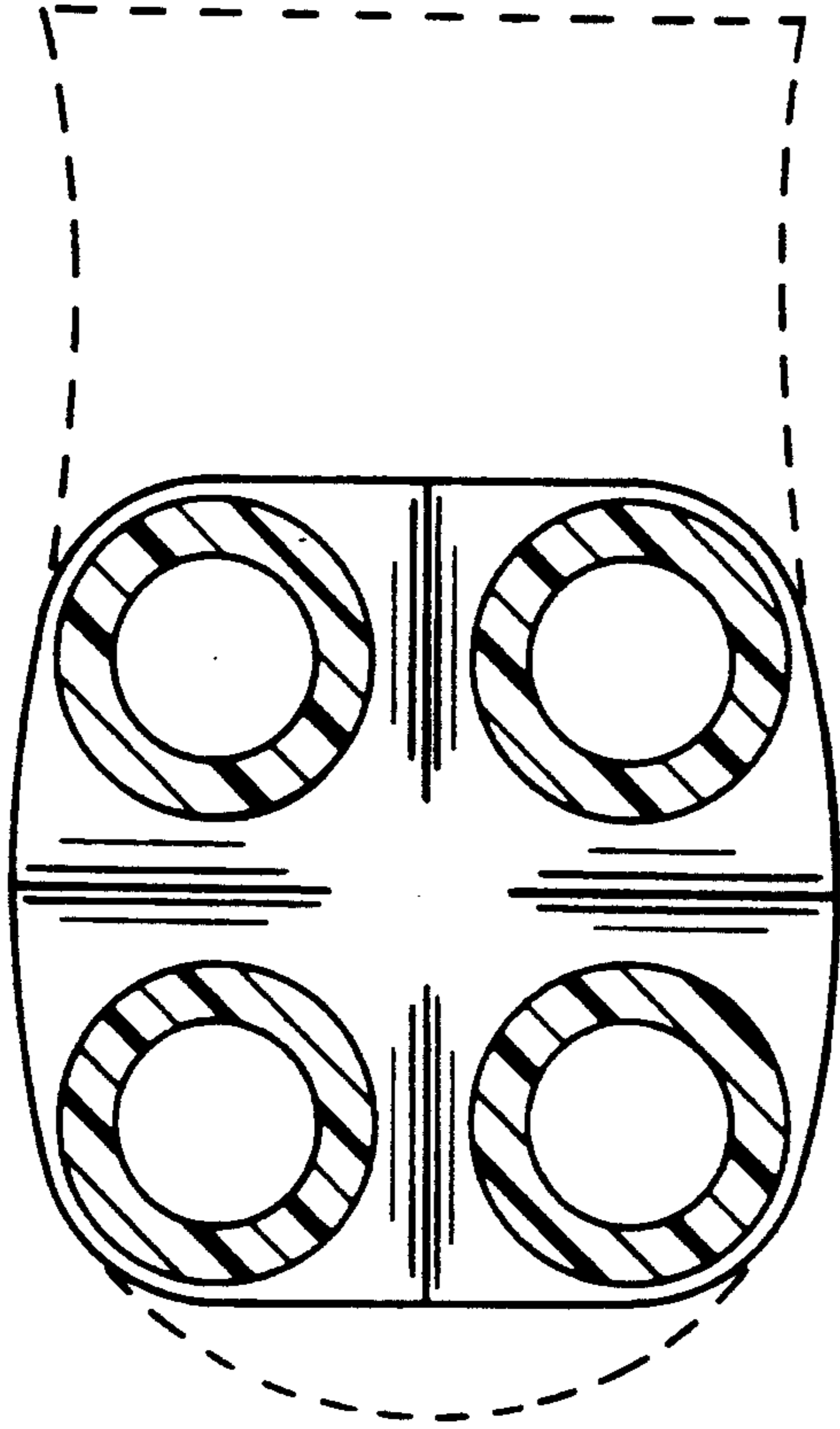


FIG. 6

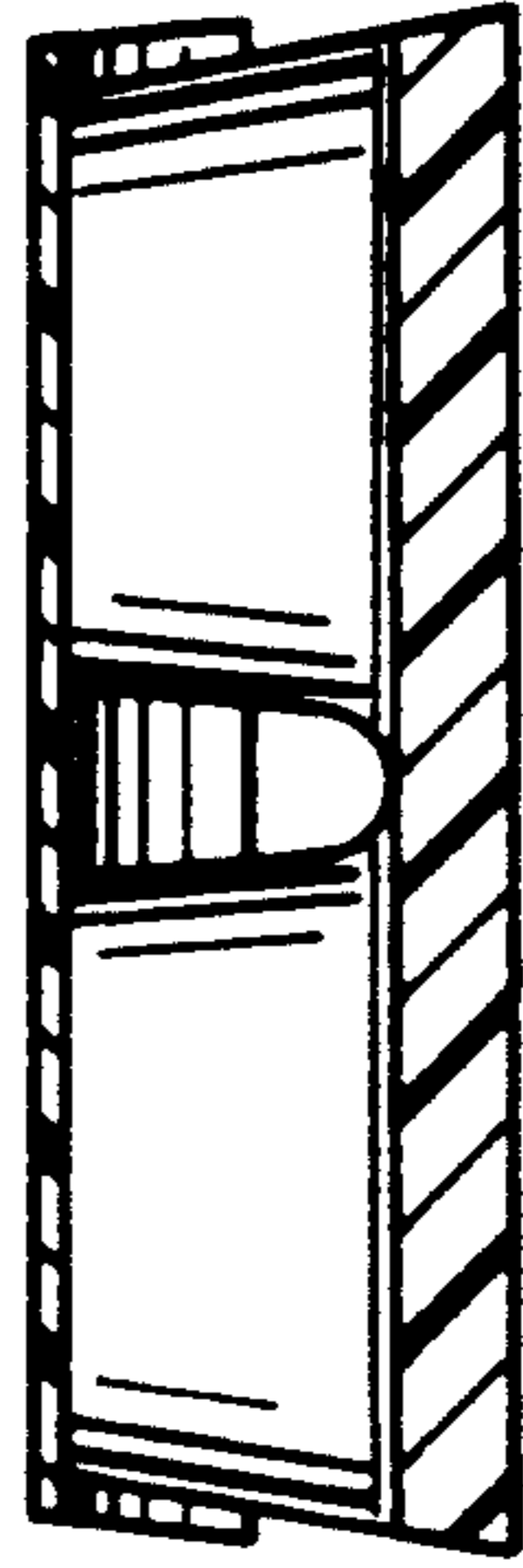


FIG. 4

