



US00D344617S

United States Patent [19]

[11] Patent Number: **Des. 344,617**

Farmer

[45] Date of Patent: **** Feb. 22, 1994**

[54] WINDSHIELD ICE SCRAPER

[76] Inventor: **Michael J. Farmer, 809 S. Conklin Ave., Sioux Falls, S. Dak. 57103**

[**] Term: **14 Years**

[21] Appl. No.: **855,867**

[22] Filed: **Mar. 23, 1992**

[52] U.S. Cl. **D32/49**

[58] Field of Search **D8/14, 45; 15/105, 236.01, 15/236.02, 236.05, 236.06, 236.08; 30/164.8, 169, 171-172; D32/40, 46, 48-49**

D. 279,415	6/1985	Osrow et al.	D32/49
D. 292,532	10/1987	Strongwater	D32/49
D. 323,046	1/1992	Farmer	D32/46
4,719,660	1/1988	Hopkins	15/105

Primary Examiner—Wallace R. Burke
Assistant Examiner—Lavone D. Tabor

[57] **CLAIM**

The ornamental design for a windshield ice scraper, as shown.

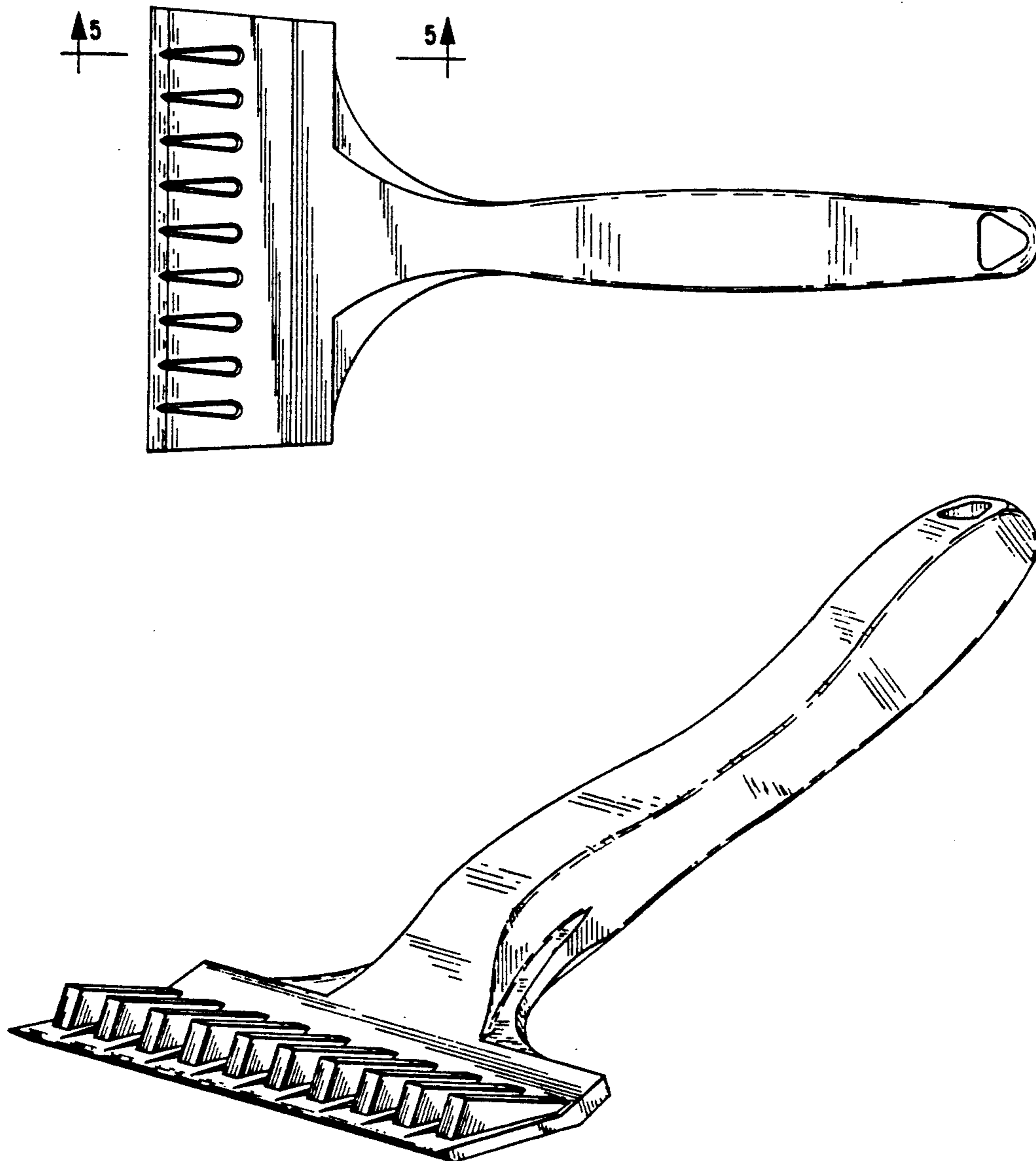
DESCRIPTION

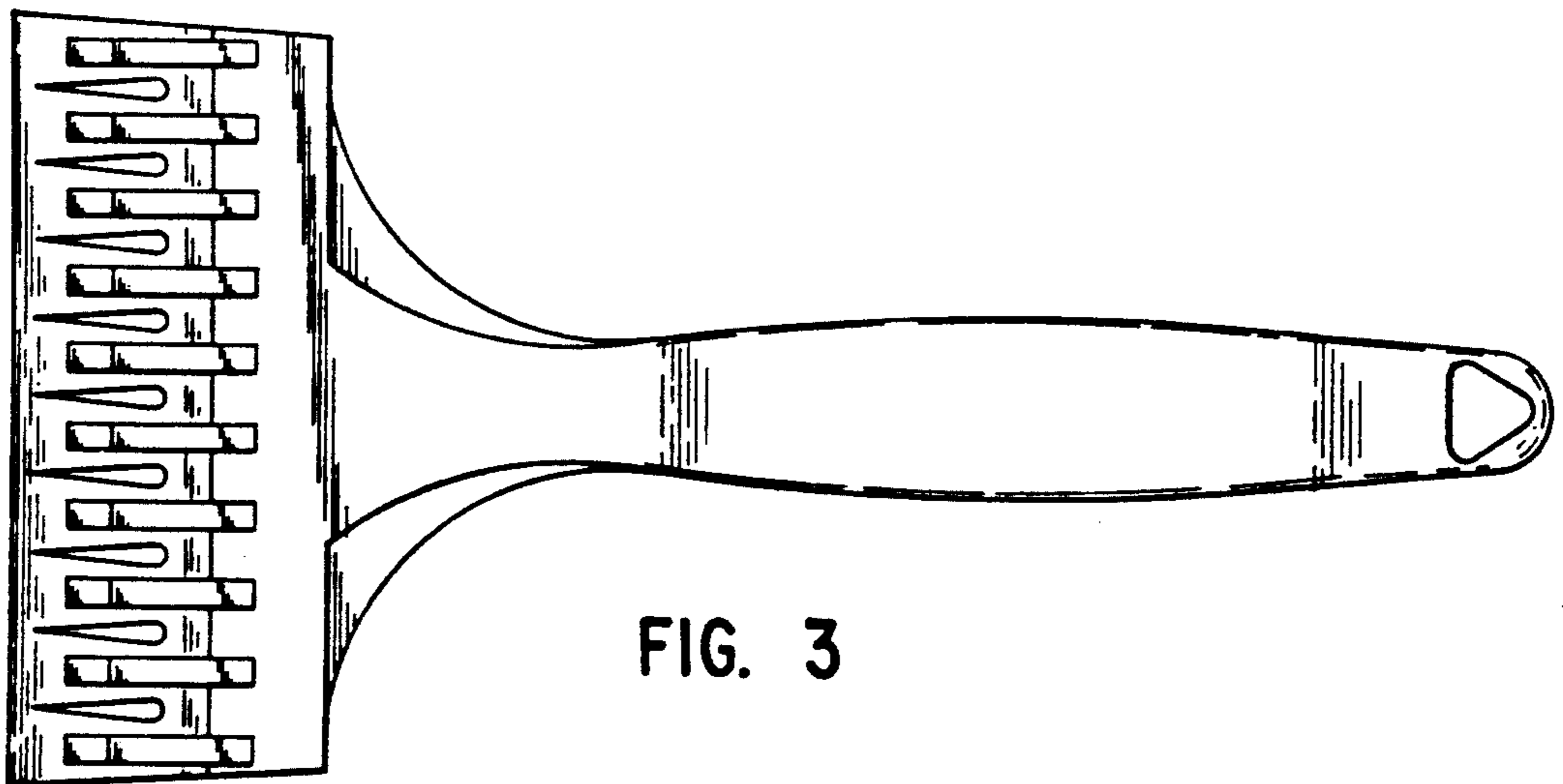
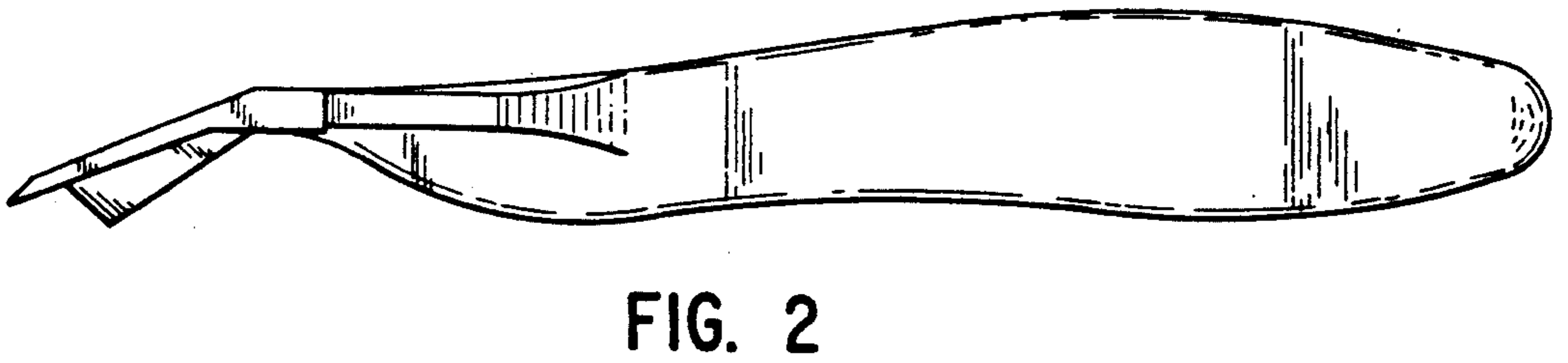
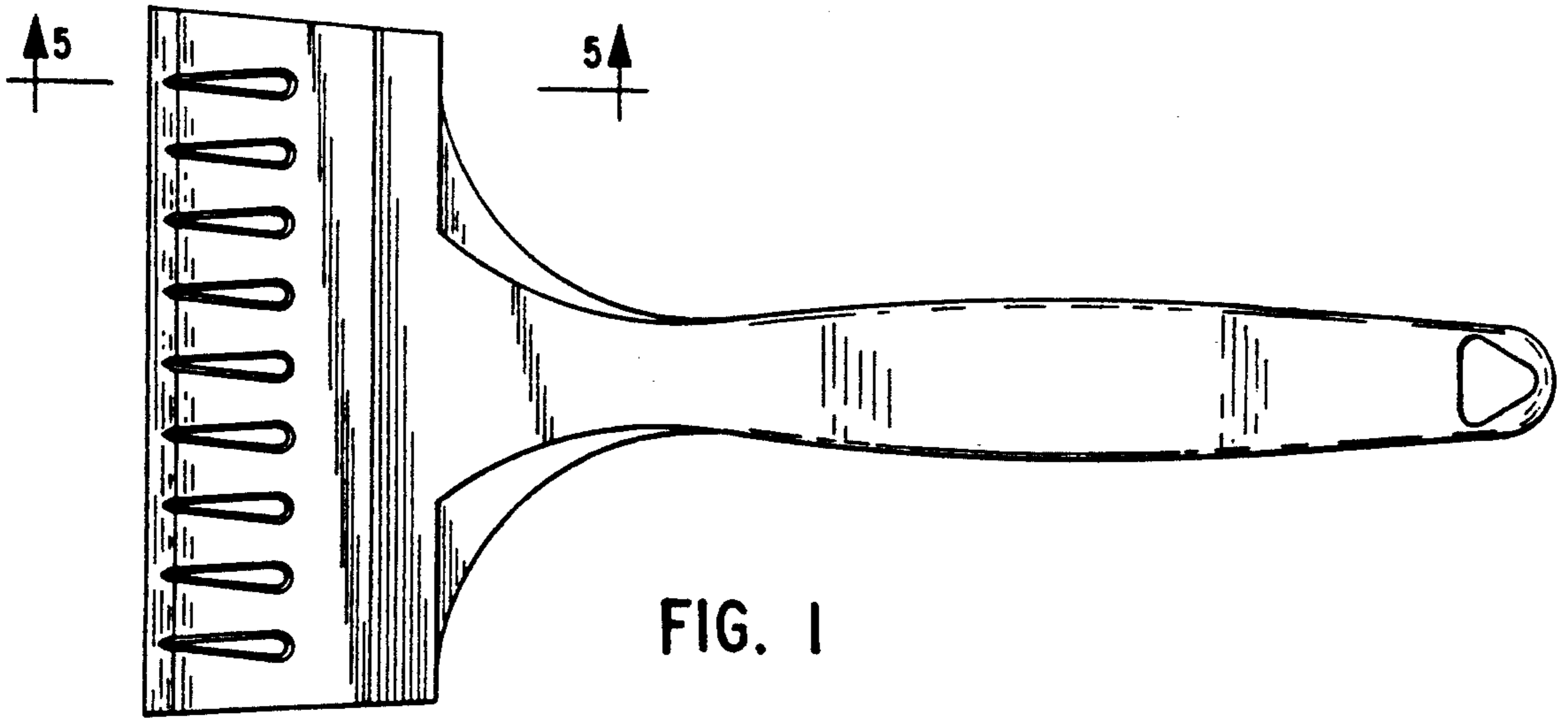
FIG. 1 is a top plan view of a windshield ice scraper; FIG. 2 is a side elevational view of the scraper; FIG. 3 is a bottom plan view of the scraper; FIG. 4 is a perspective view from the lower scraper end; and, FIG. 5 is a sectional view from line 5-5 of FIG. 1.

[56] **References Cited**

U.S. PATENT DOCUMENTS

D. 187,462	3/1960	Elliott, Jr.	D32/49
D. 241,498	9/1976	Smith	D32/49





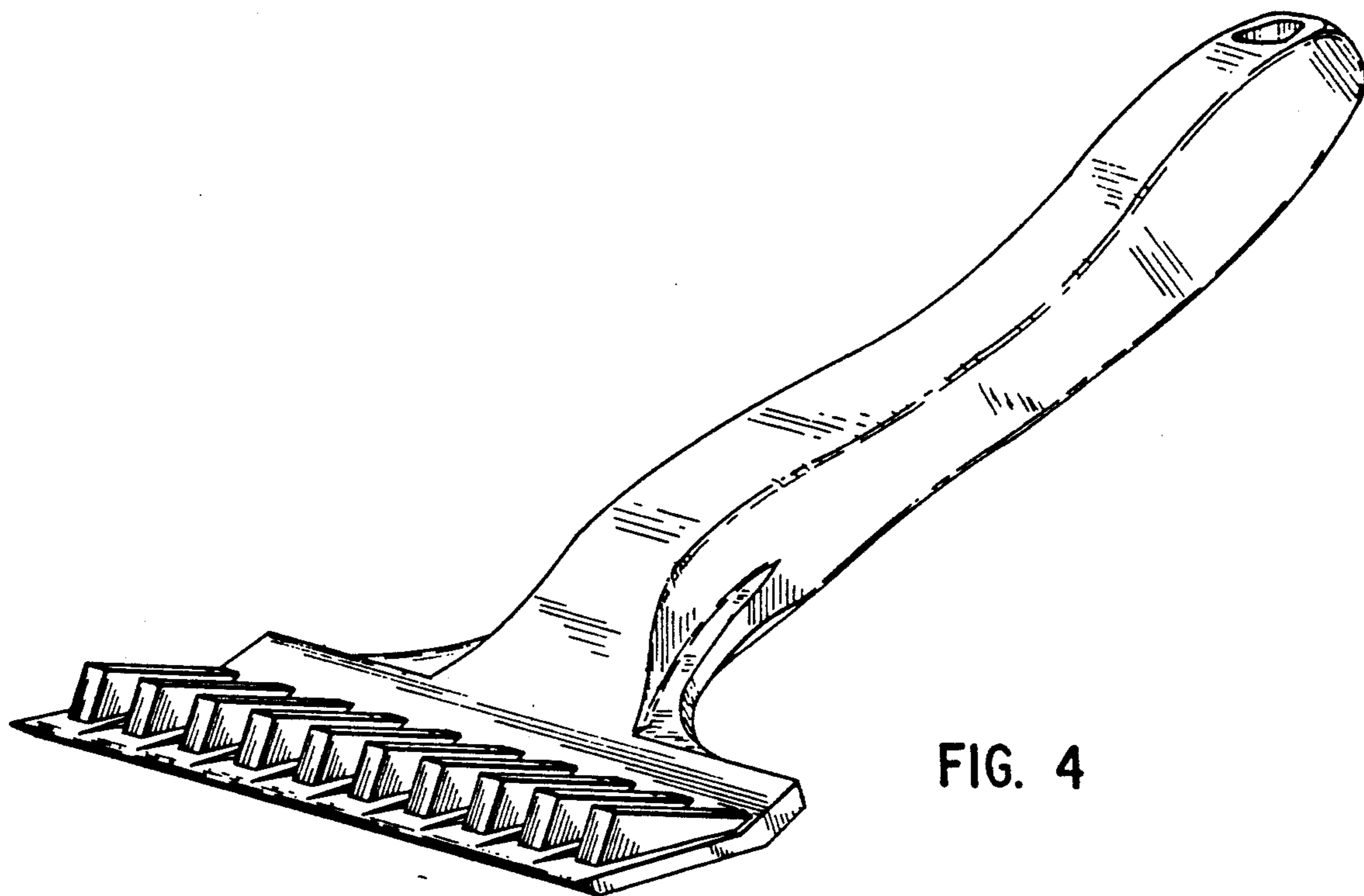


FIG. 4

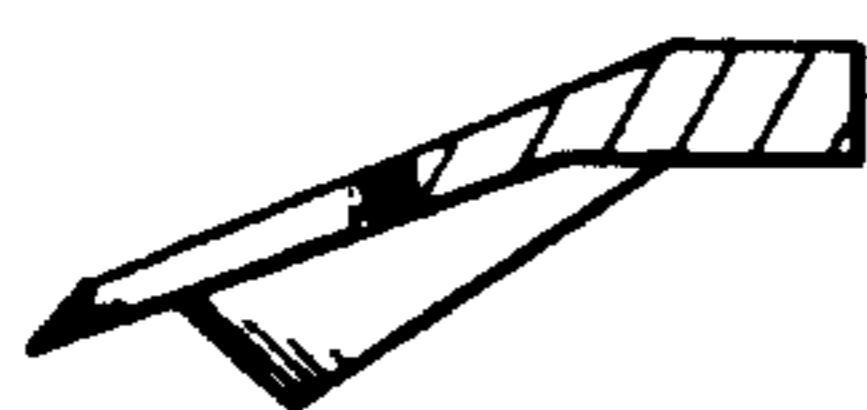


FIG. 5