



US00D344615S

United States Patent [19]

[11] Patent Number: **Des. 344,615**

Berfield et al.

[45] Date of Patent: **** Feb. 22, 1994**

[54] **COMBINED BLOWER AND VACUUM**

[75] Inventors: **Robert C. Berfield, Jersey Shore;
Craig Seasholtz, Avis, both of Pa.**

[73] Assignee: **Shop-Vac Corporation, Williamsport,
Pa.**

[**] Term: **14 Years**

[21] Appl. No.: **822,555**

[22] Filed: **Jan. 15, 1992**

[52] U.S. Cl. **D32/15**

[58] Field of Search 15/316.1-318.1,
15/344, 405, 415.1; 239/DIG. 13, DIG. 19,
DIG. 21, DIG. 22, 589, 597, 598, 599; D32/15,
17, 21, 25, 32; D23/213

4,644,606 2/1987 Luerken et al. 15/344
4,694,528 9/1987 Comer et al. 15/344
4,713,858 12/1987 Kelber 15/344
4,870,714 10/1989 Miner 15/344

Primary Examiner—Ruth McInroy
Attorney, Agent, or Firm—Marshall, O'Toole, Gerstein,
Murray & Borun

[57] **CLAIM**

The ornamental design for a combined blower and vacuum, as shown.

DESCRIPTION

FIG. 1 is a left side elevational view of a combined blower and vacuum showing our new design; FIG. 2 is a top view thereof; FIG. 3 is a right side view thereof; FIG. 4 is a bottom view thereof; FIG. 5 is a front view thereof; FIG. 6 is a rear view thereof; and, FIG. 7 is a perspective view thereof.

[56] **References Cited**

U.S. PATENT DOCUMENTS

D. 307,655 5/1990 Hinklin et al. D32/15
D. 310,437 9/1990 Gierke et al. D32/15

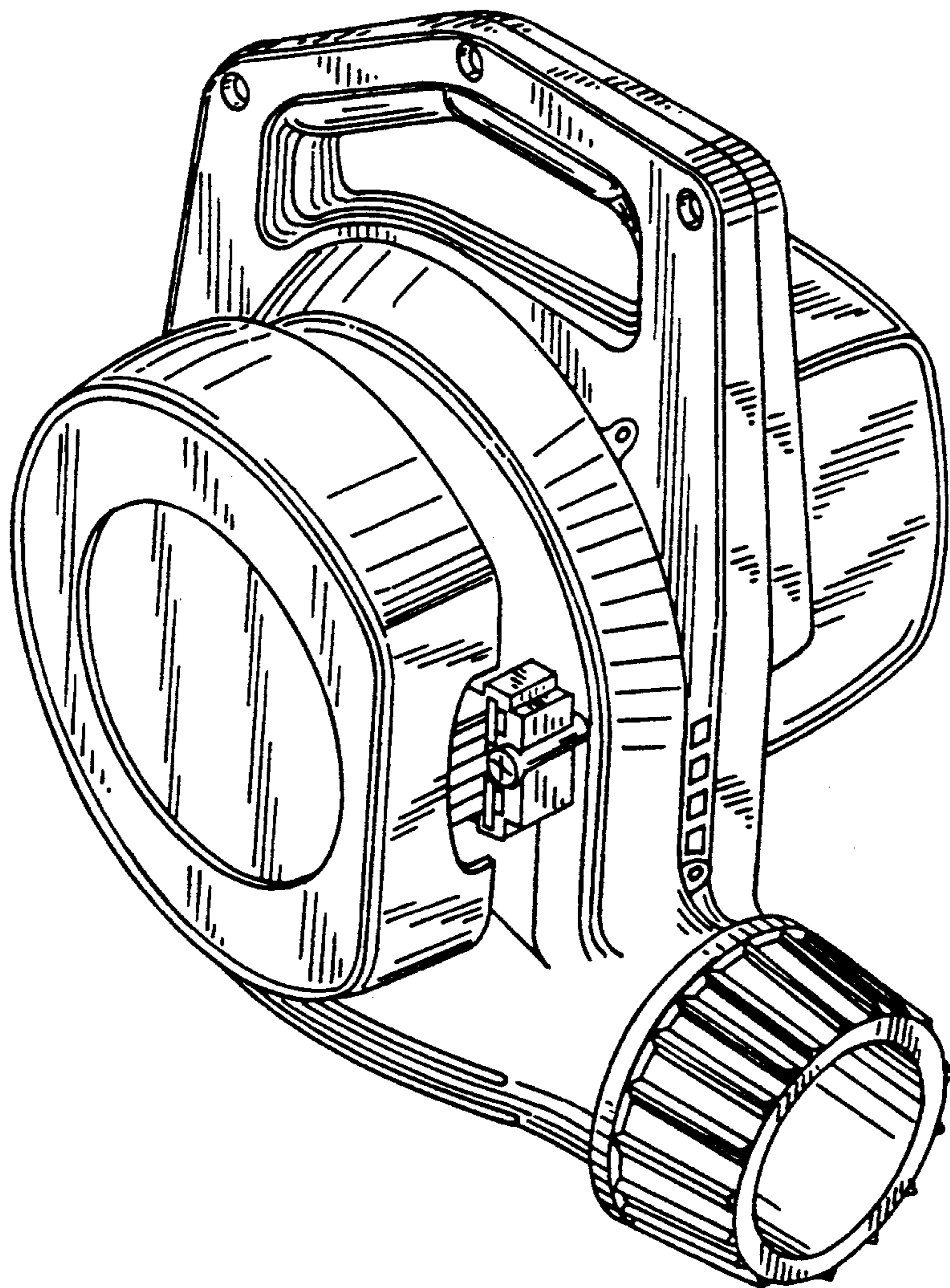


FIG. 1

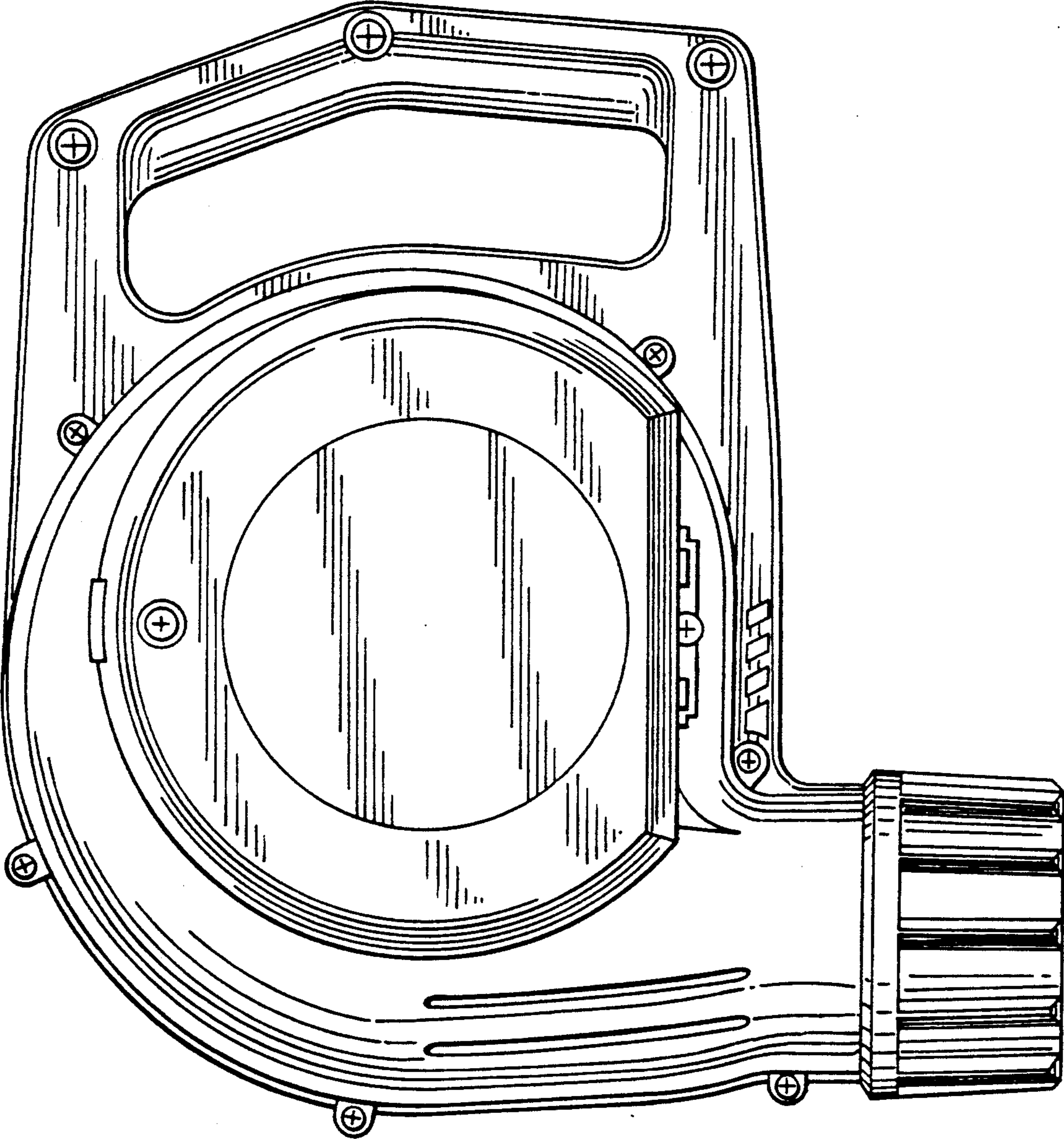


FIG. 2

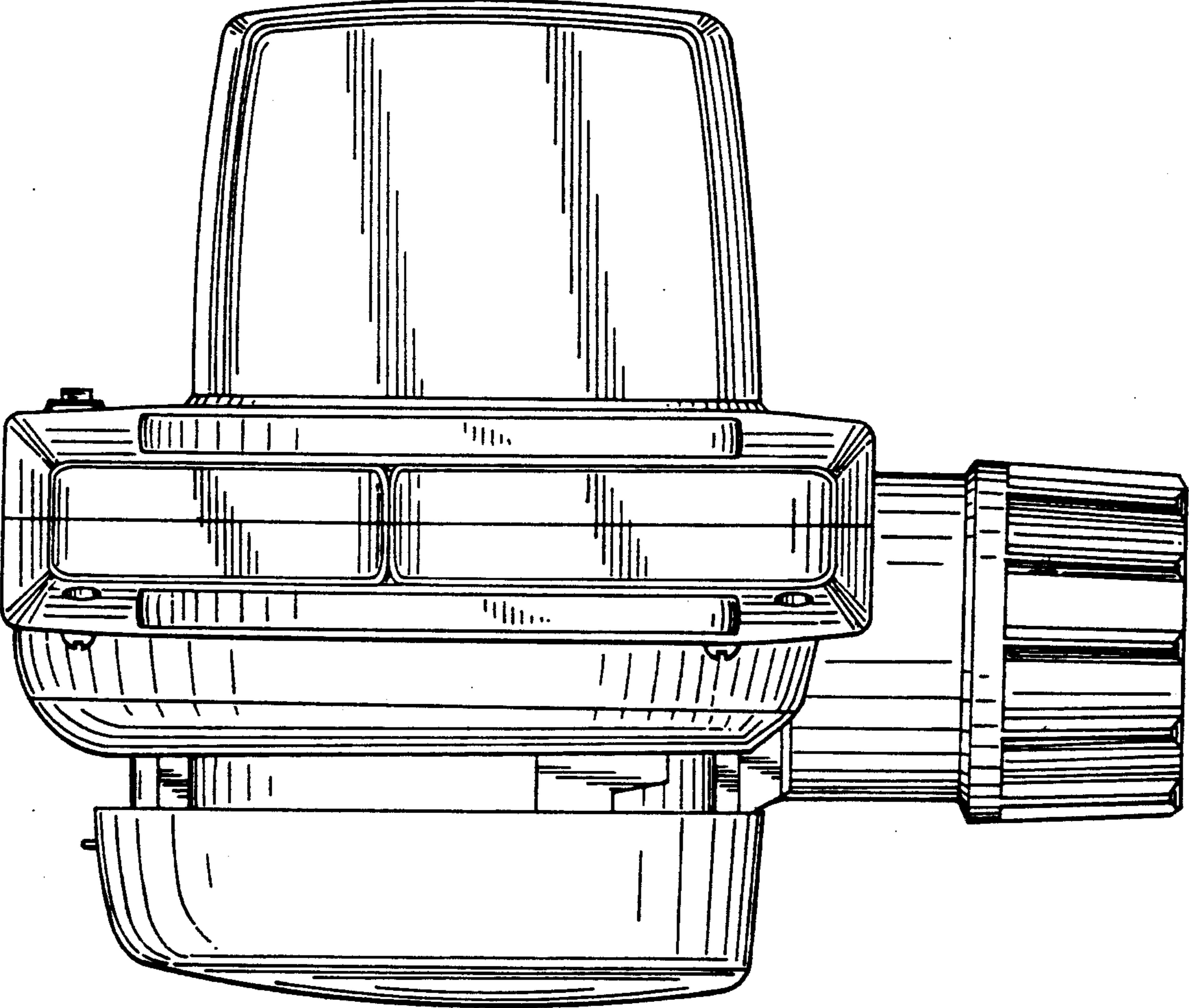


FIG. 3

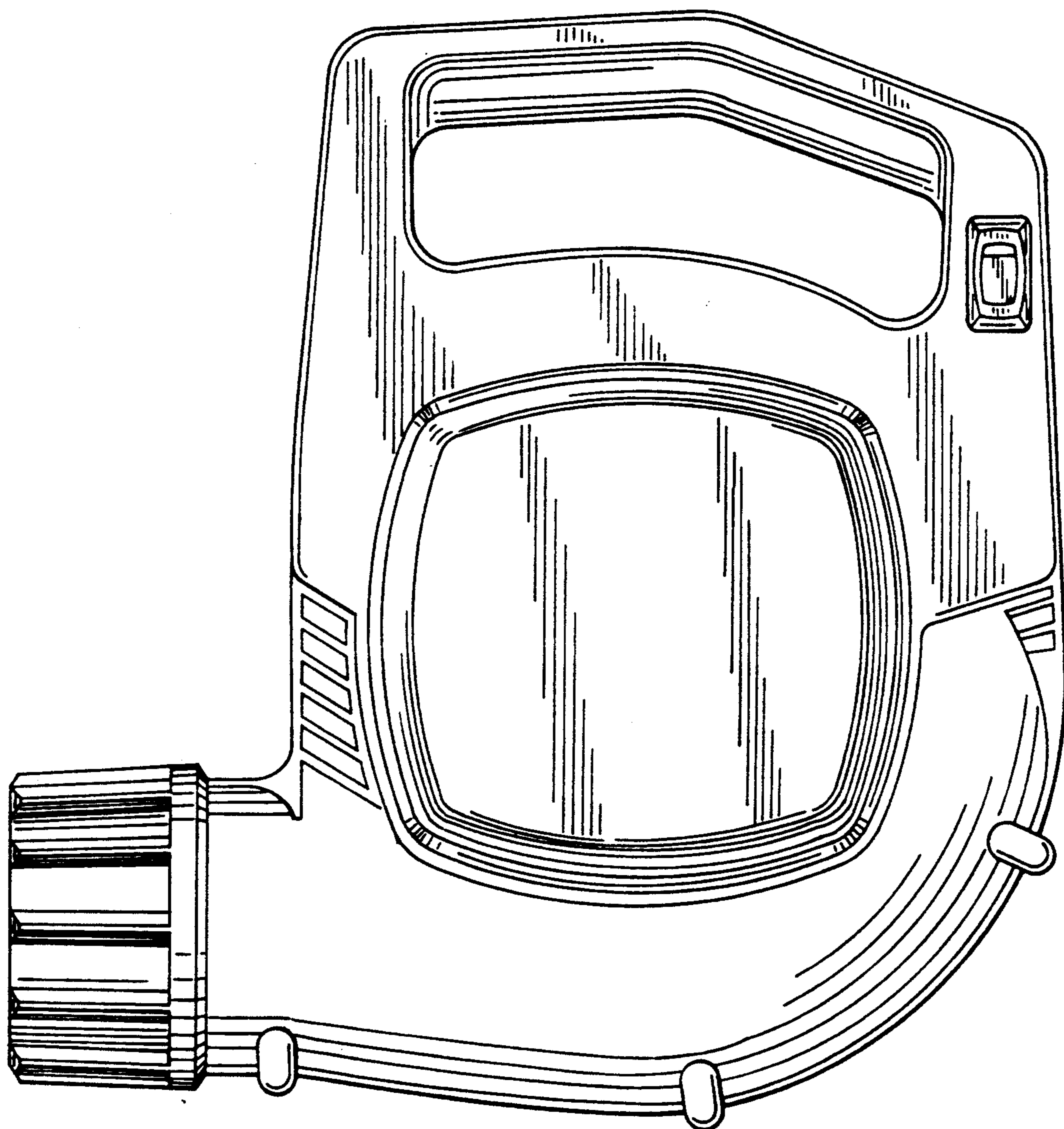


FIG. 4

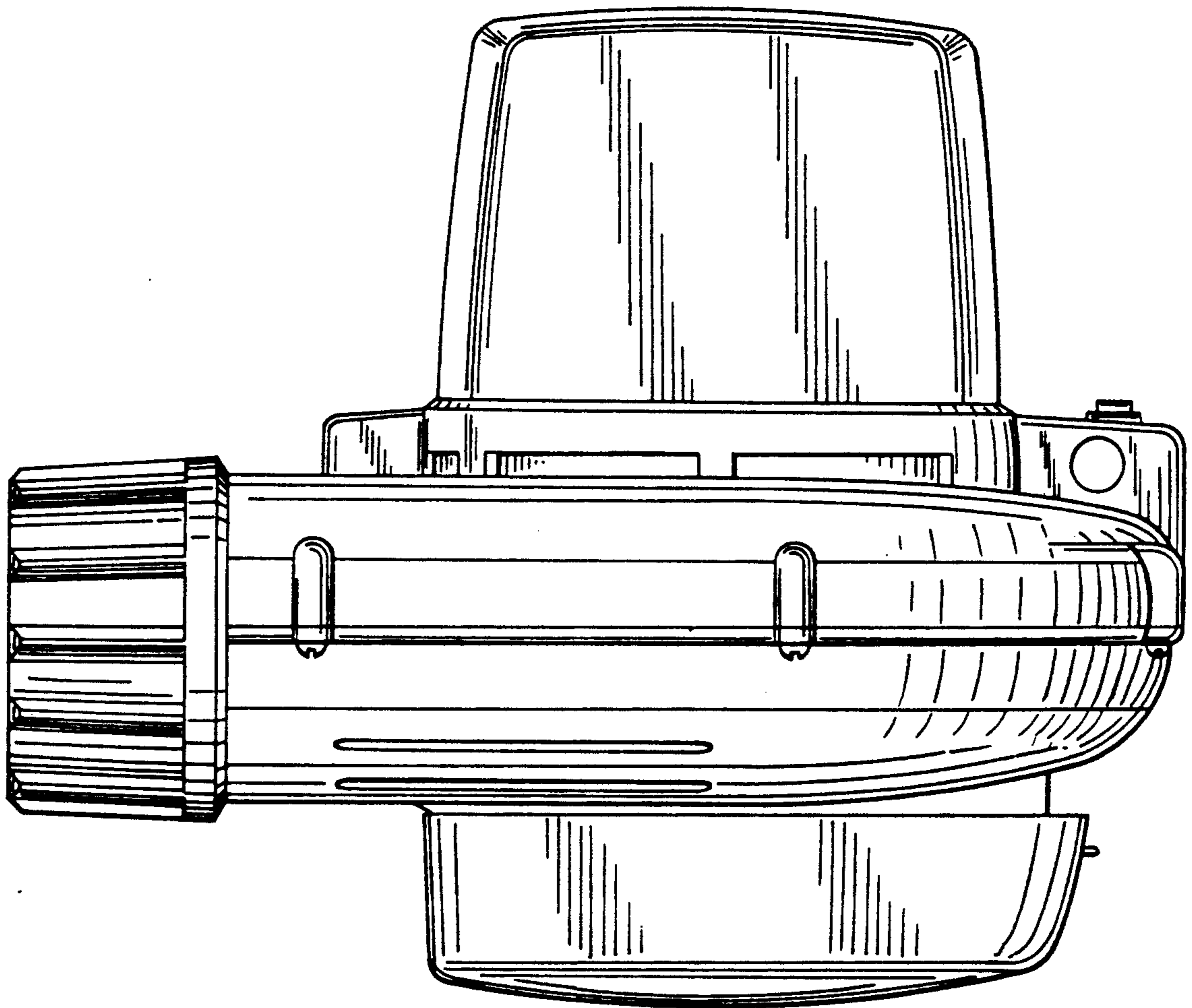


FIG. 5

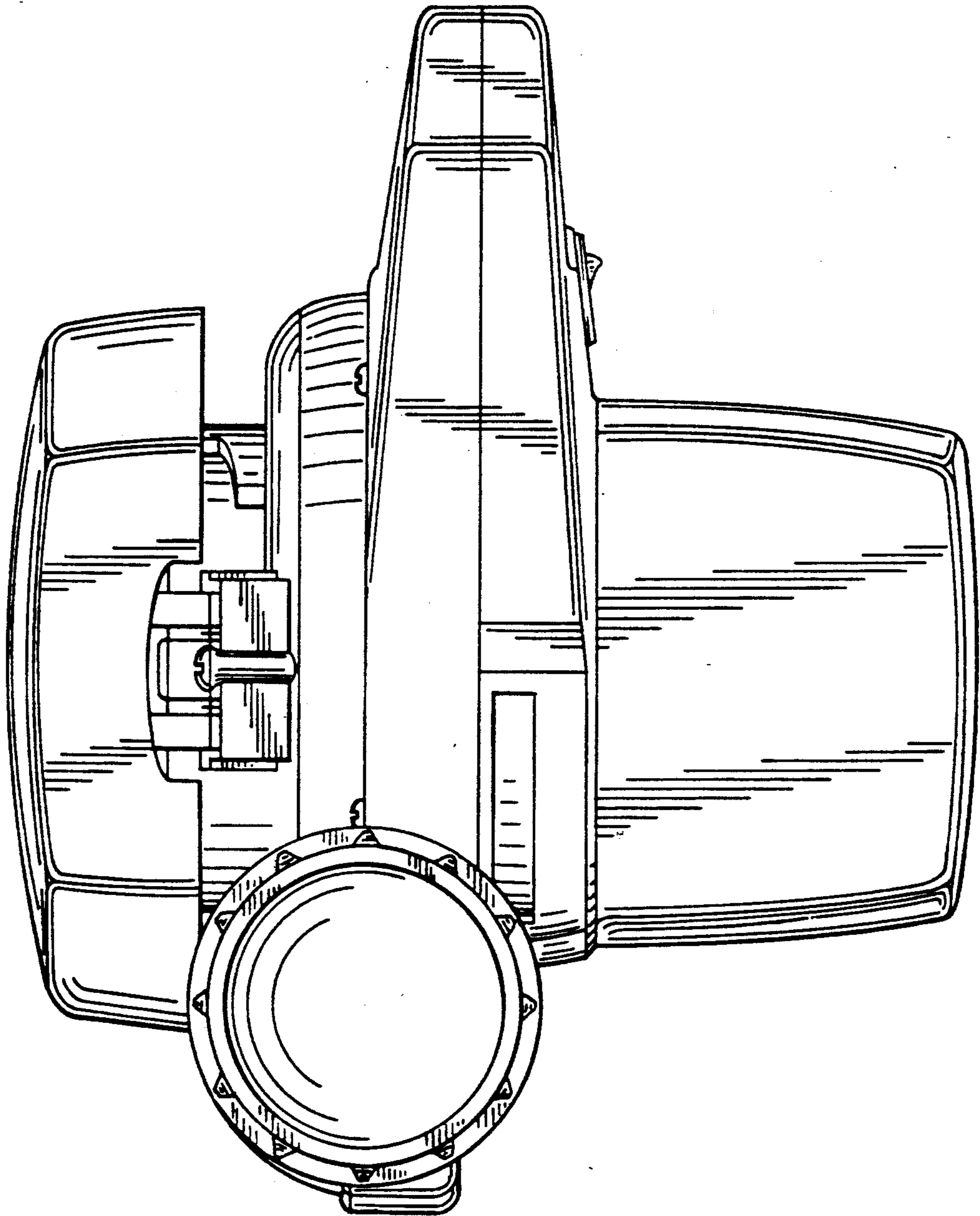


FIG. 6

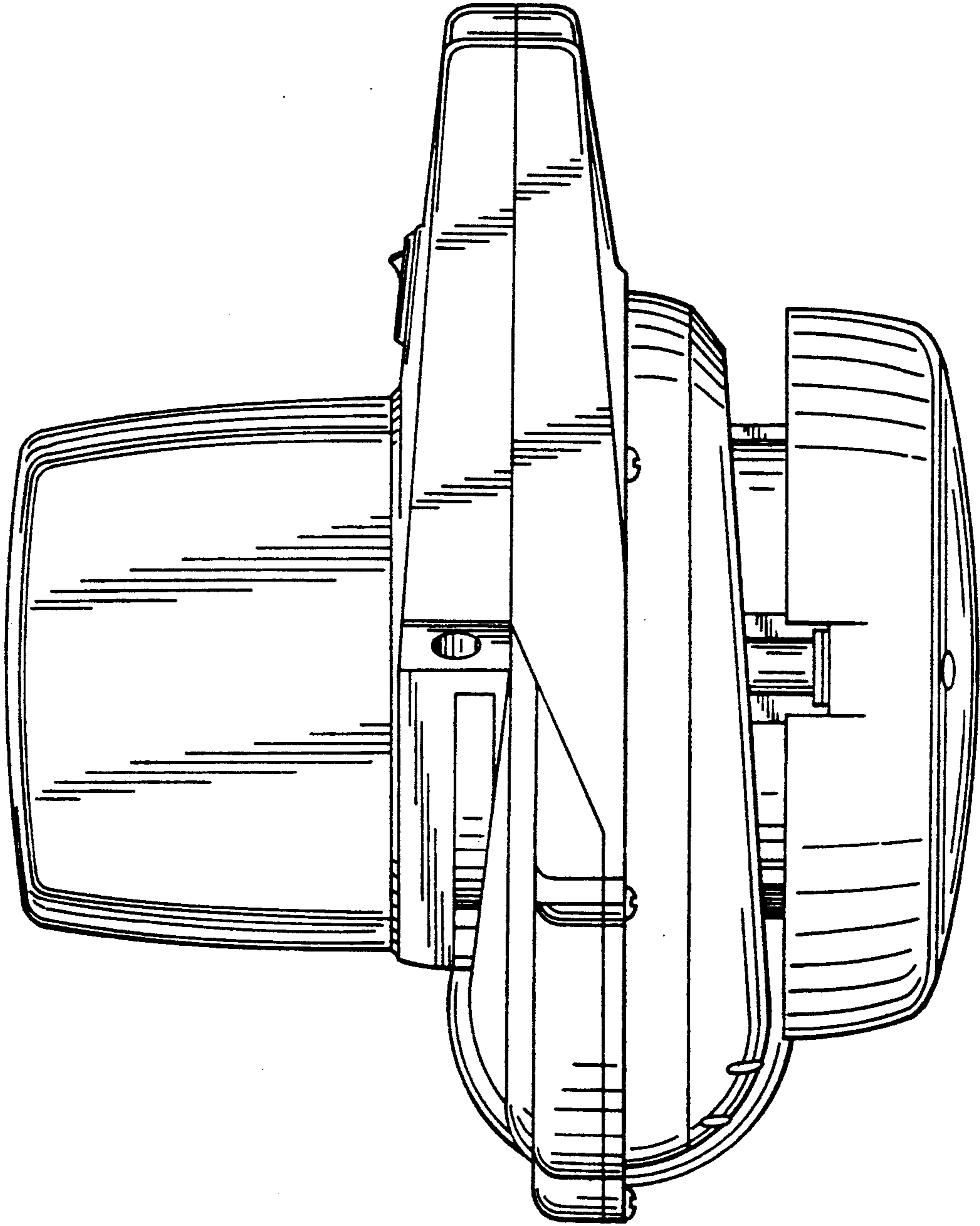


FIG. 7

