



US00D344614S

# United States Patent [19] Cheng

[11] Patent Number: Des. 344,614

[45] Date of Patent: \*\* Feb. 22, 1994

## [54] WATER CLEANING DEVICE

[76] Inventor: Tzu-Keng Cheng, 197 Shin-Sheng St., Chung-Ho City, Taipei, Taiwan

[\*\*] Term: 14 Years

[21] Appl. No.: 520,381

[22] Filed: May 3, 1990

[52] U.S. Cl. .... D32/1

[58] Field of Search ..... 134/166 R, 168 R, 169 R, 134/170-171, 199; 210/169; 15/1.7; D32/1, 26; D23/207, 209

### [56] References Cited

#### U.S. PATENT DOCUMENTS

D. 240,531	7/1976	Elkington	.....	D23/207
4,798,670	1/1989	Treene	.....	210/169
4,802,980	2/1989	Gilkey et al.	.....	210/169
4,818,389	4/1989	Tobias et al.	.....	210/169
4,842,726	6/1989	Willinger	.....	210/169

## OTHER PUBLICATIONS

Jacuzzi, Nov. 1985, Series PMT Automatic Skimmers, no pg. no. (top left corner).

Primary Examiner—Ruth McInroy

Attorney, Agent, or Firm—Jacobson, Price, Holman & Stern

## [57] CLAIM

The ornamental design for a water cleaning device, as shown and described.

## DESCRIPTION

FIG. 1 is a perspective view of water cleaning device showing my new design;

FIG. 2 is a top plan view thereof;

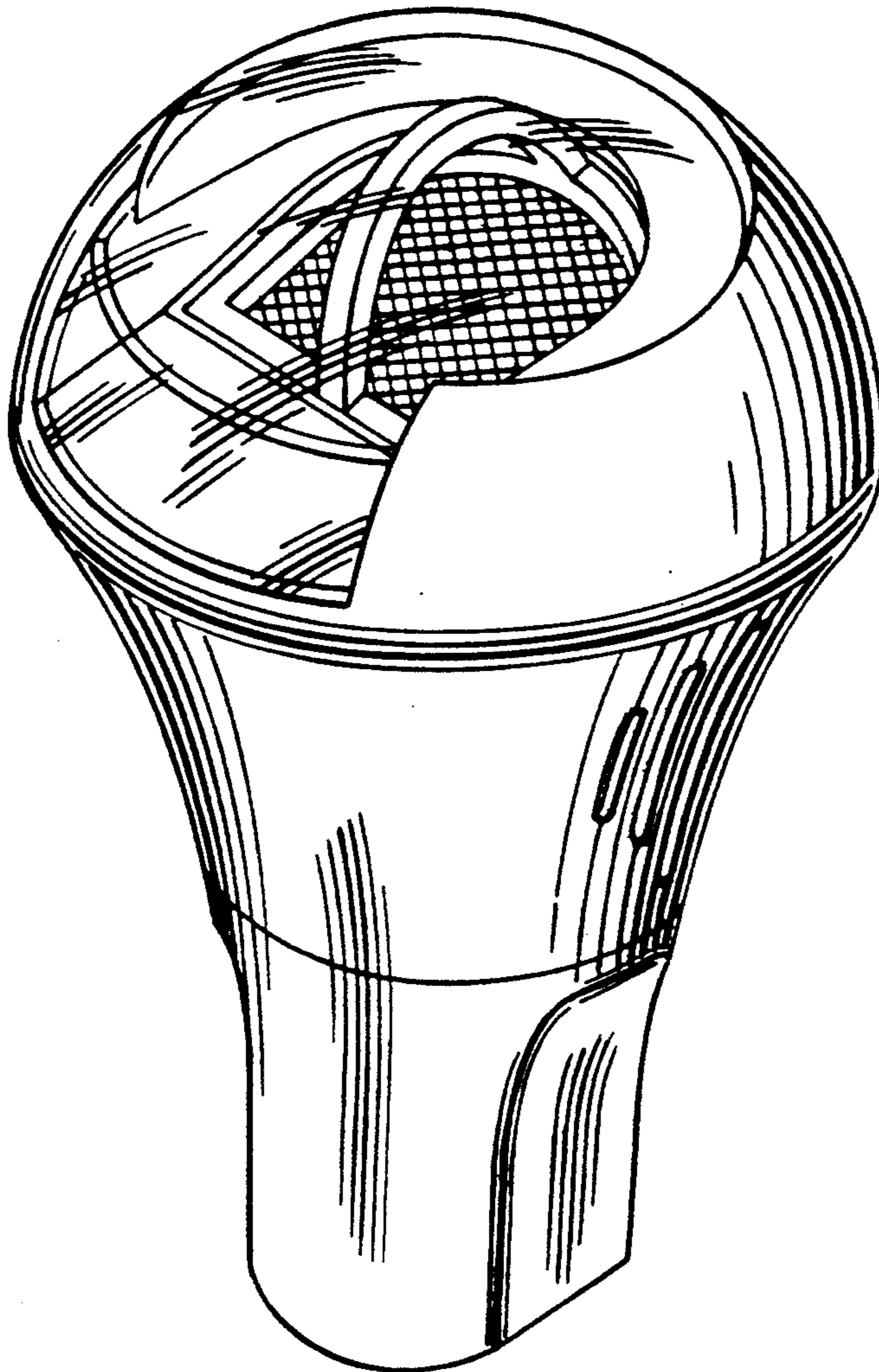
FIG. 3 is a bottom plan view thereof;

FIG. 4 is a front elevational view thereof;

FIG. 5 is a back elevational view thereof;

FIG. 6 is a right side elevational view thereof; and,

FIG. 7 is a left side elevational view thereof.



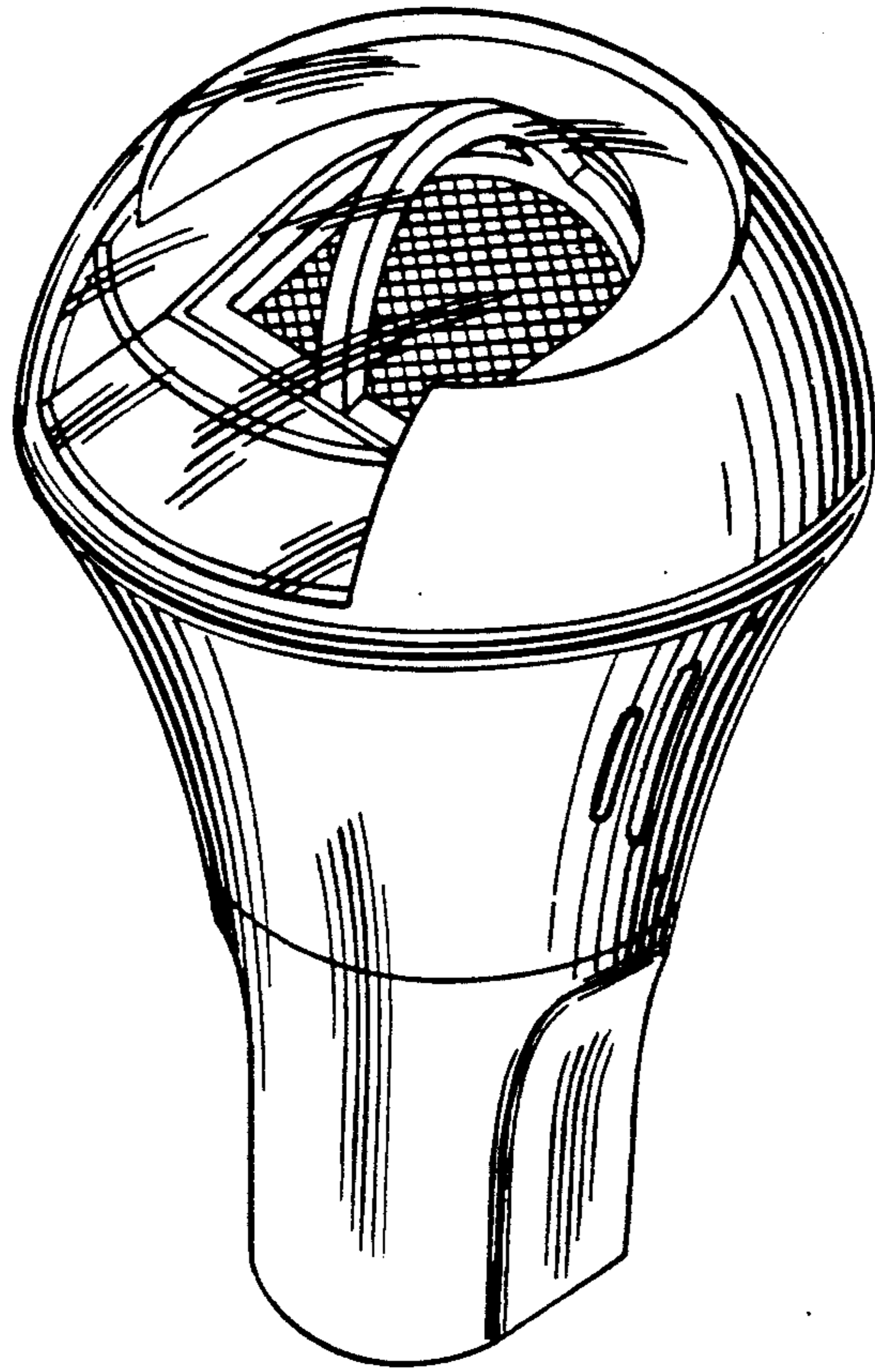


FIG. 1

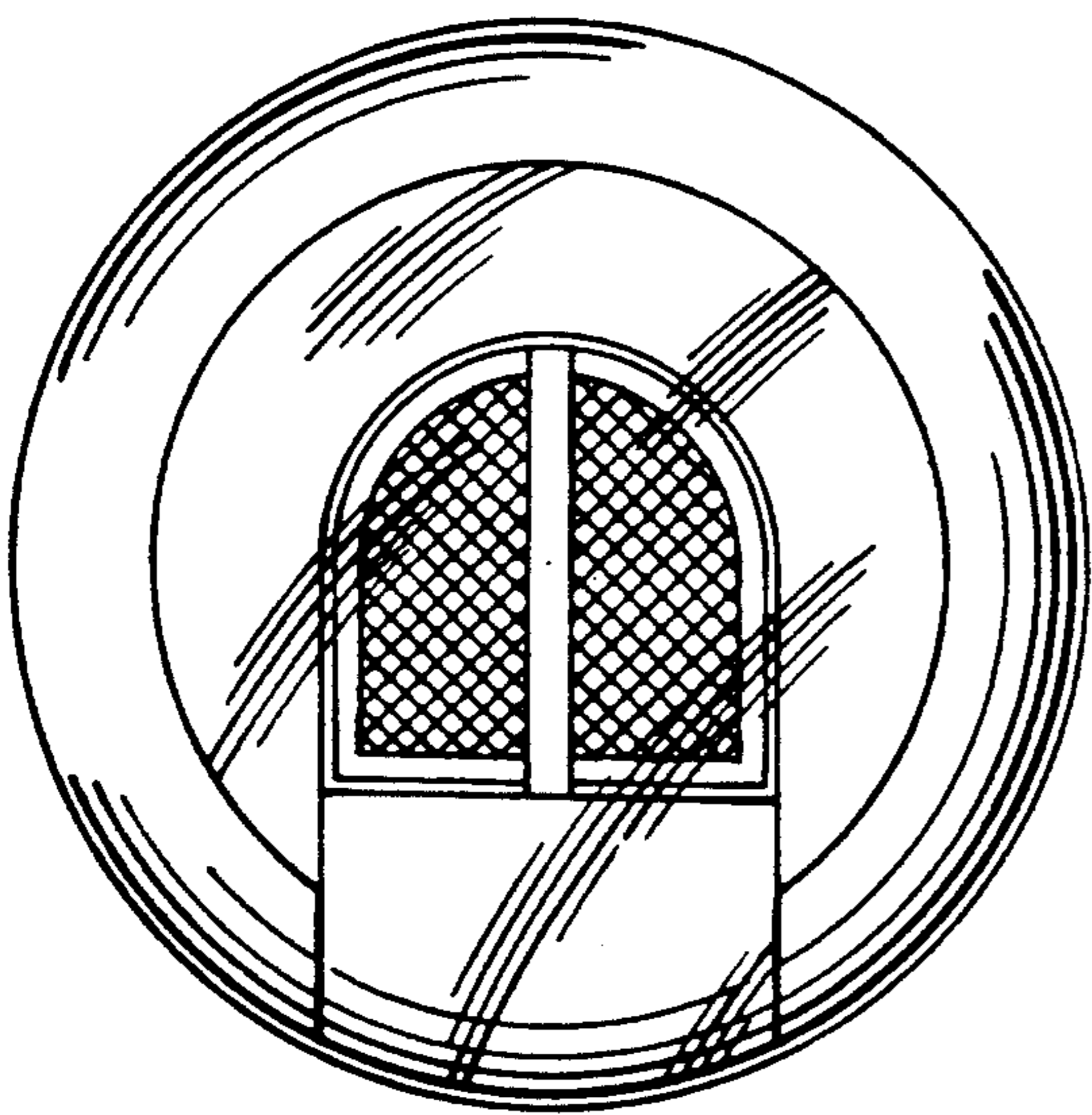


FIG. 2

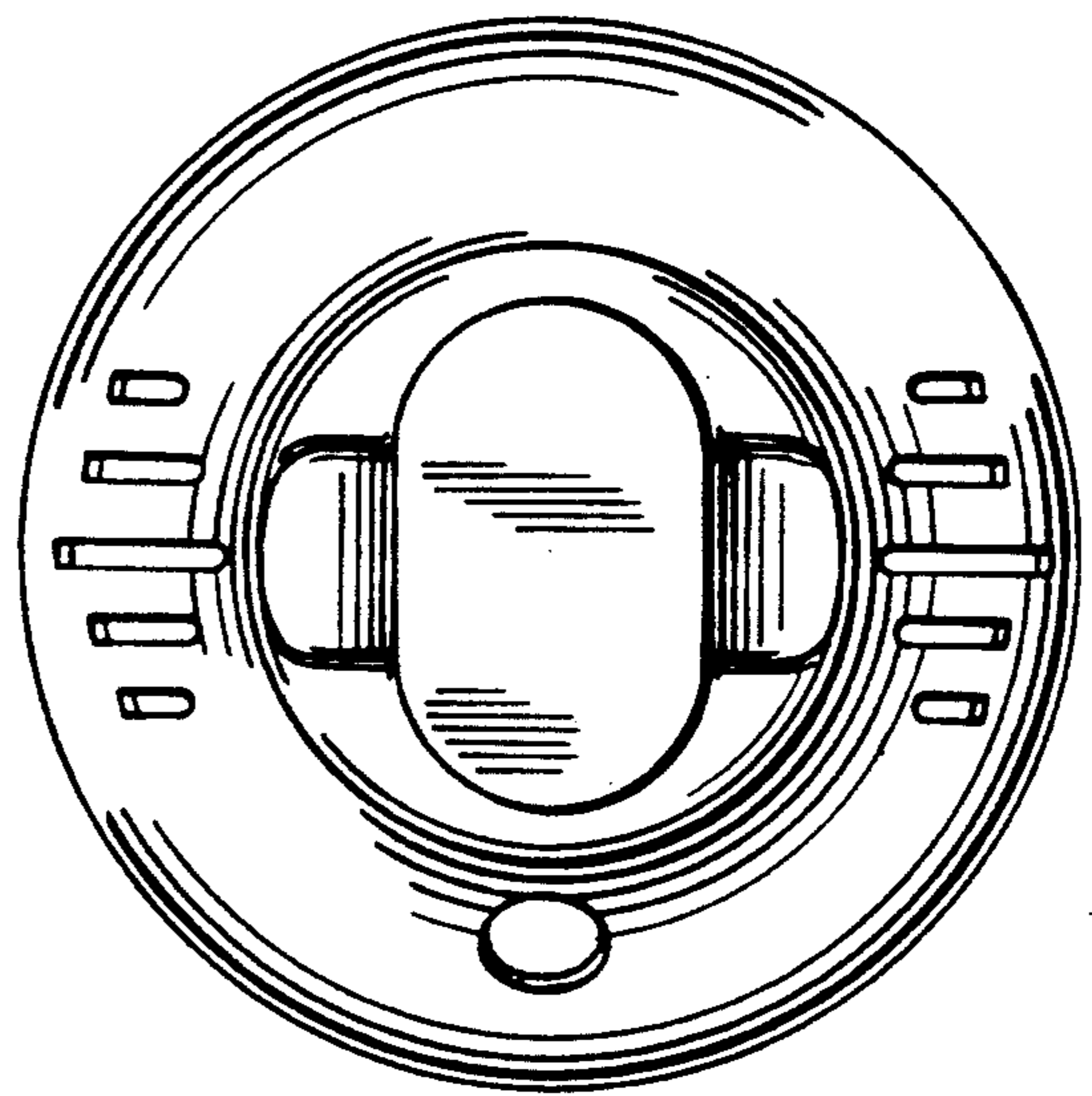


FIG. 3

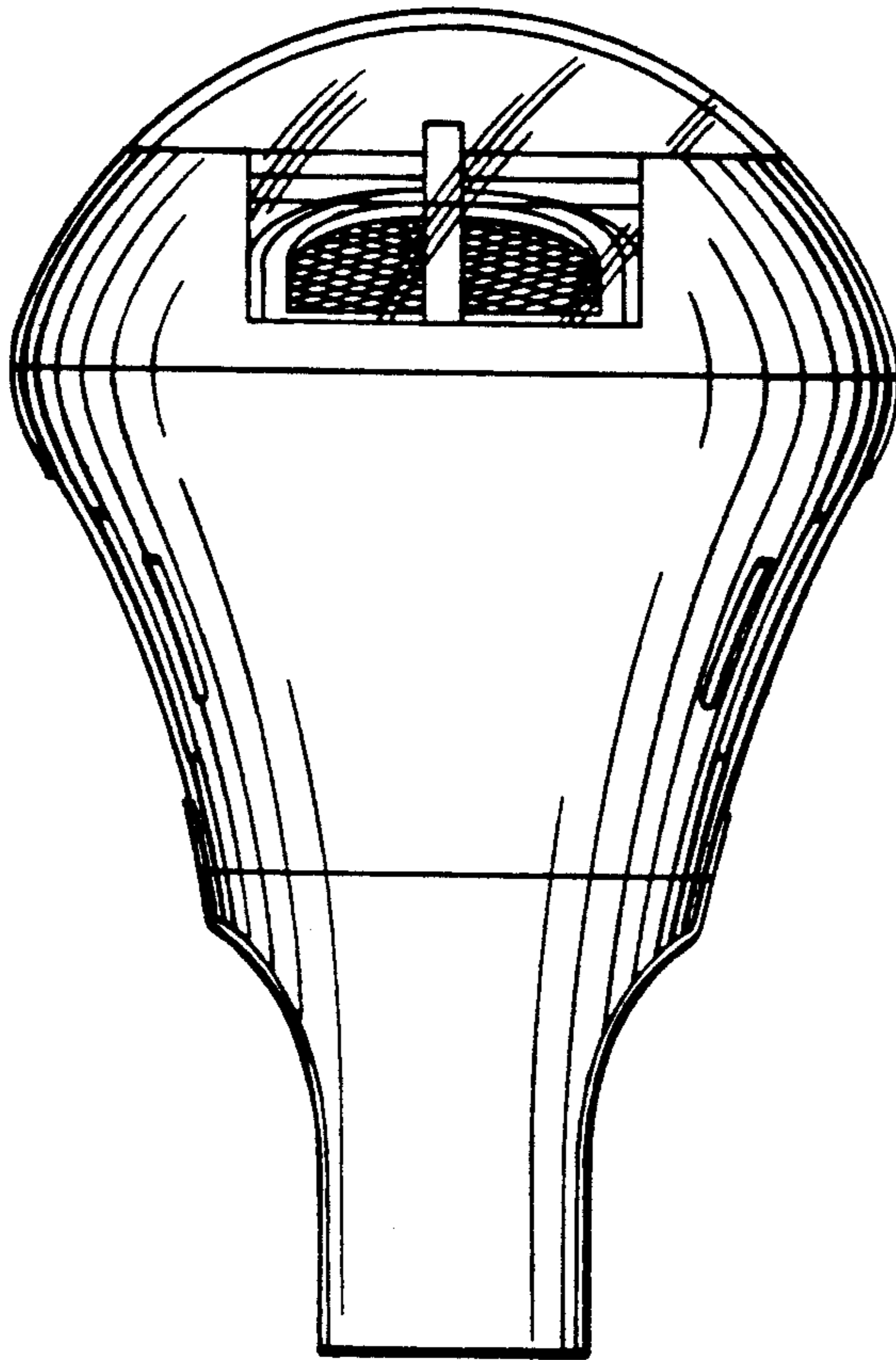


FIG. 4

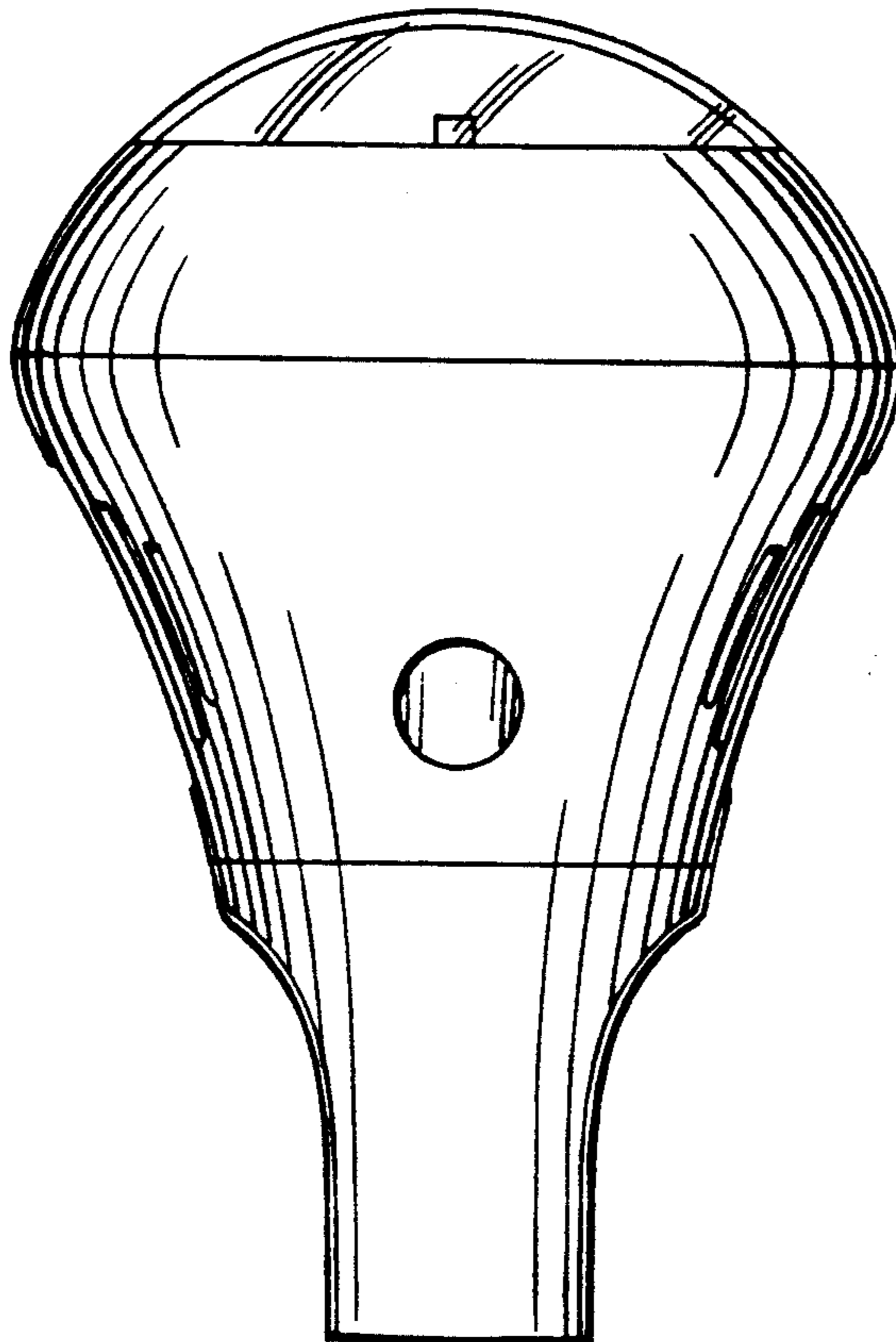


FIG. 5

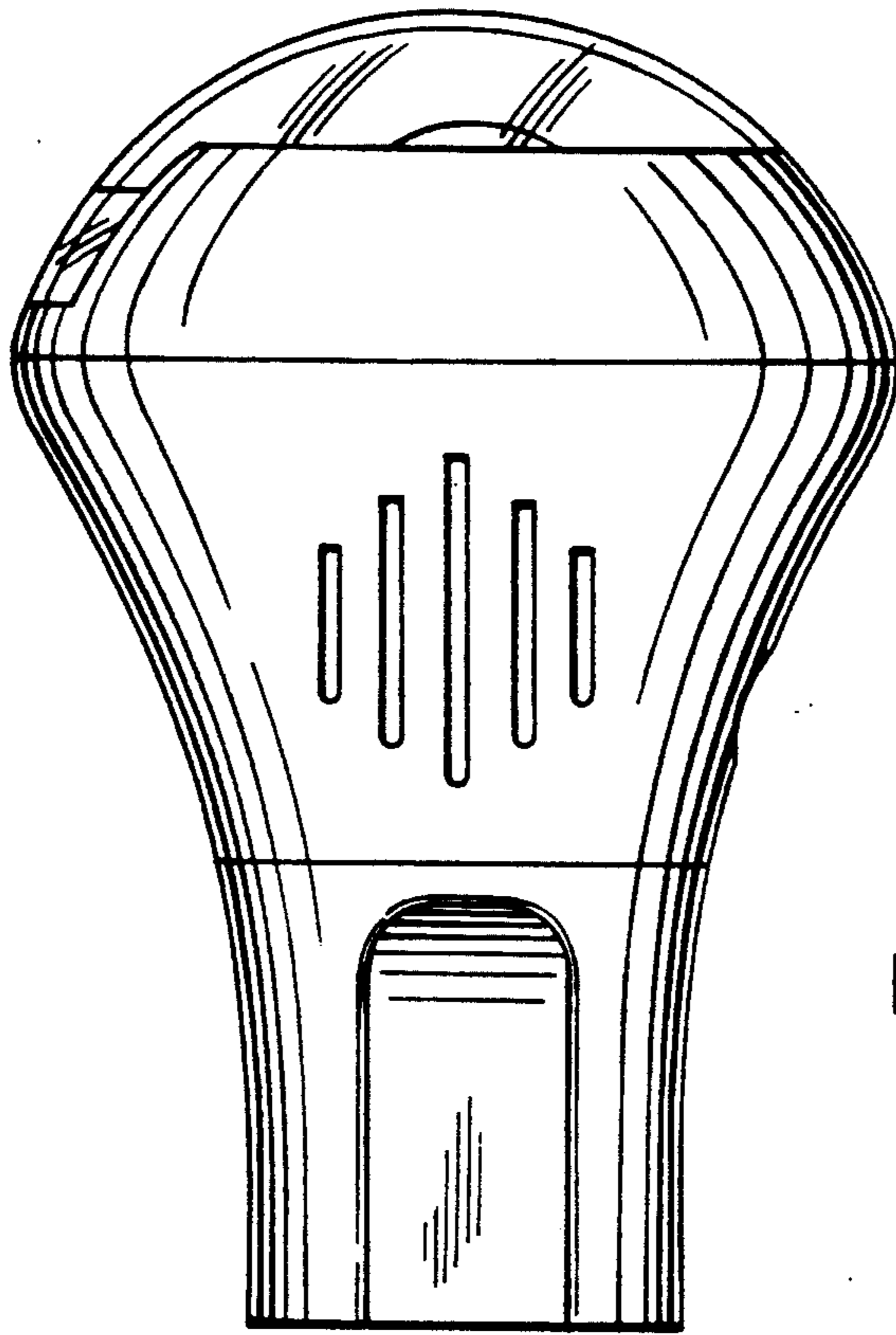


FIG. 6

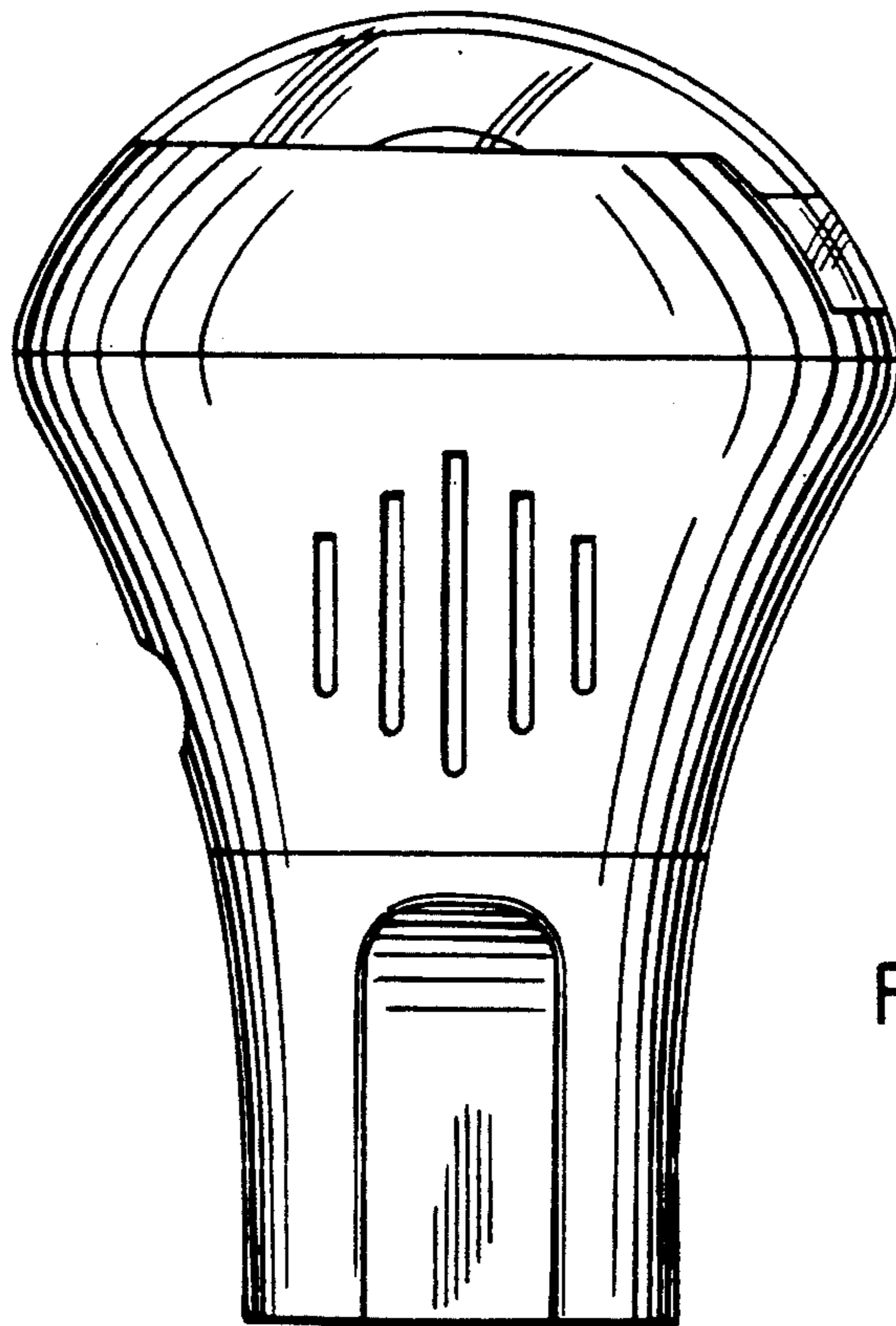


FIG. 7