



US00D344610S

United States Patent [19]

Keller

[11] Patent Number: **Des. 344,610**

[45] Date of Patent: **** Feb. 22, 1994**

[54] **STRAP ADJUSTMENT BUCKLE FOR HELMETS**

[75] Inventor: **Steven C. Keller, Island Lake, Ill.**

[73] Assignee: **Illinois Tool Works Inc., Glenview, Ill.**

[**] Term: **14 Years**

[21] Appl. No.: **877,159**

[22] Filed: **May 1, 1992**

[52] U.S. Cl. **D29/16; D8/383; D11/218**

[58] Field of Search **D8/383; 2/421, 425; 24/68 R, 71.1, 71.3, 198, 200, 68 E; D11/218; D29/12, 16**

[56] **References Cited**

U.S. PATENT DOCUMENTS

D. 328,044 7/1992 Murai D11/218

3,279,019	10/1966	Eubank et al.	24/200
4,044,400	8/1977	Lewicki et al.	2/421
4,637,099	1/1987	Kasai	24/200
4,897,888	2/1990	Broersma et al.	2/241
5,077,839	1/1992	Keller	24/200

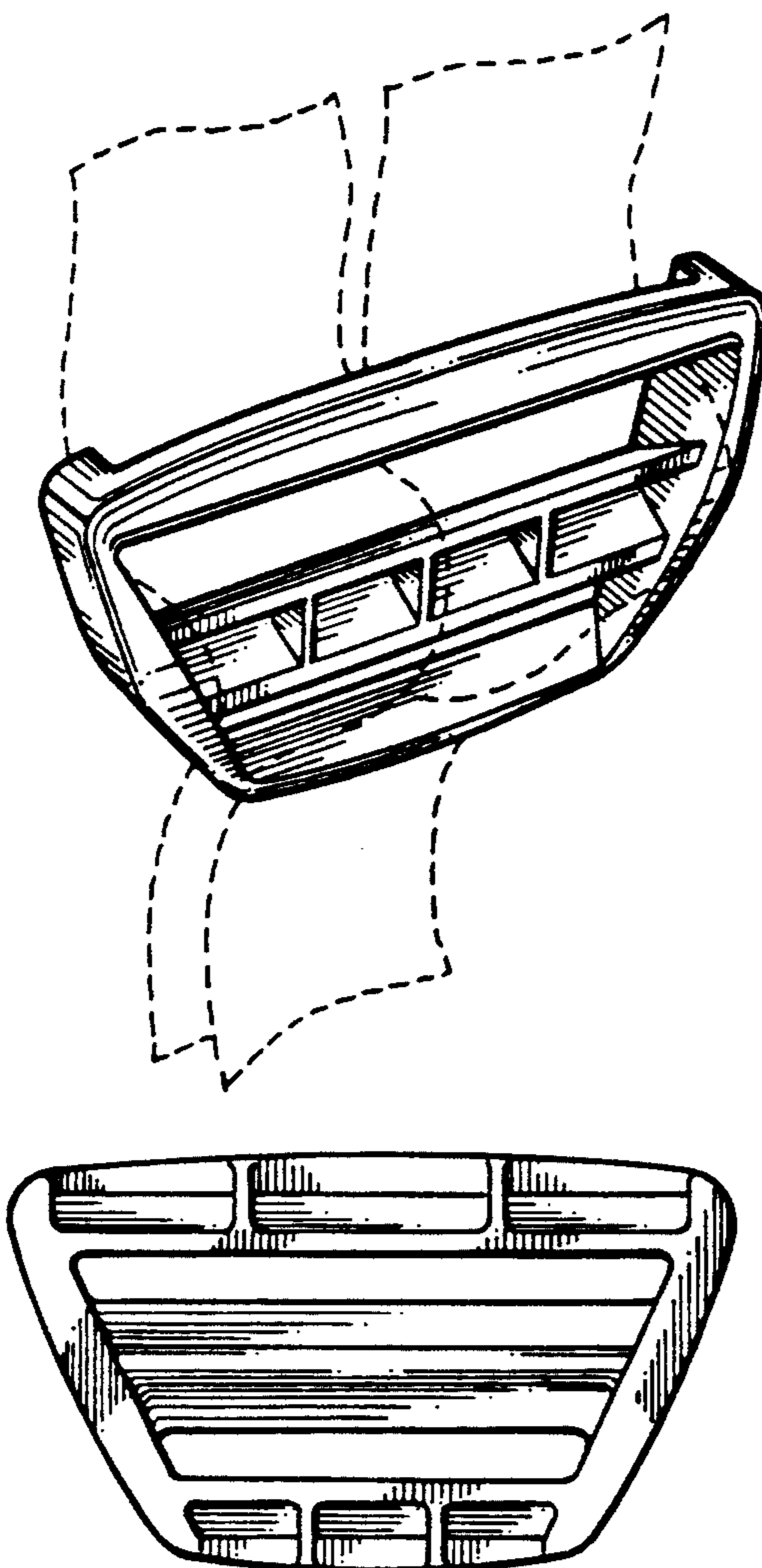
Primary Examiner—B. J. Bullock
Attorney, Agent, or Firm—T. W. Buckman; J. P. O'Brien

[57] **CLAIM**

The ornamental design for a strap adjustment buckle for helmets, as shown and described.

DESCRIPTION

FIG. 1 is a rear perspective view of a strap adjustment buckle for helmets showing my design, the straps being shown in broken lines for illustrative purposes only; FIG. 2 is a front elevational view thereof; FIG. 3 is an end elevational view taken from the left side of FIG. 2; FIG. 4 is a bottom plan view thereof; FIG. 5 is a top plan view thereof; and,



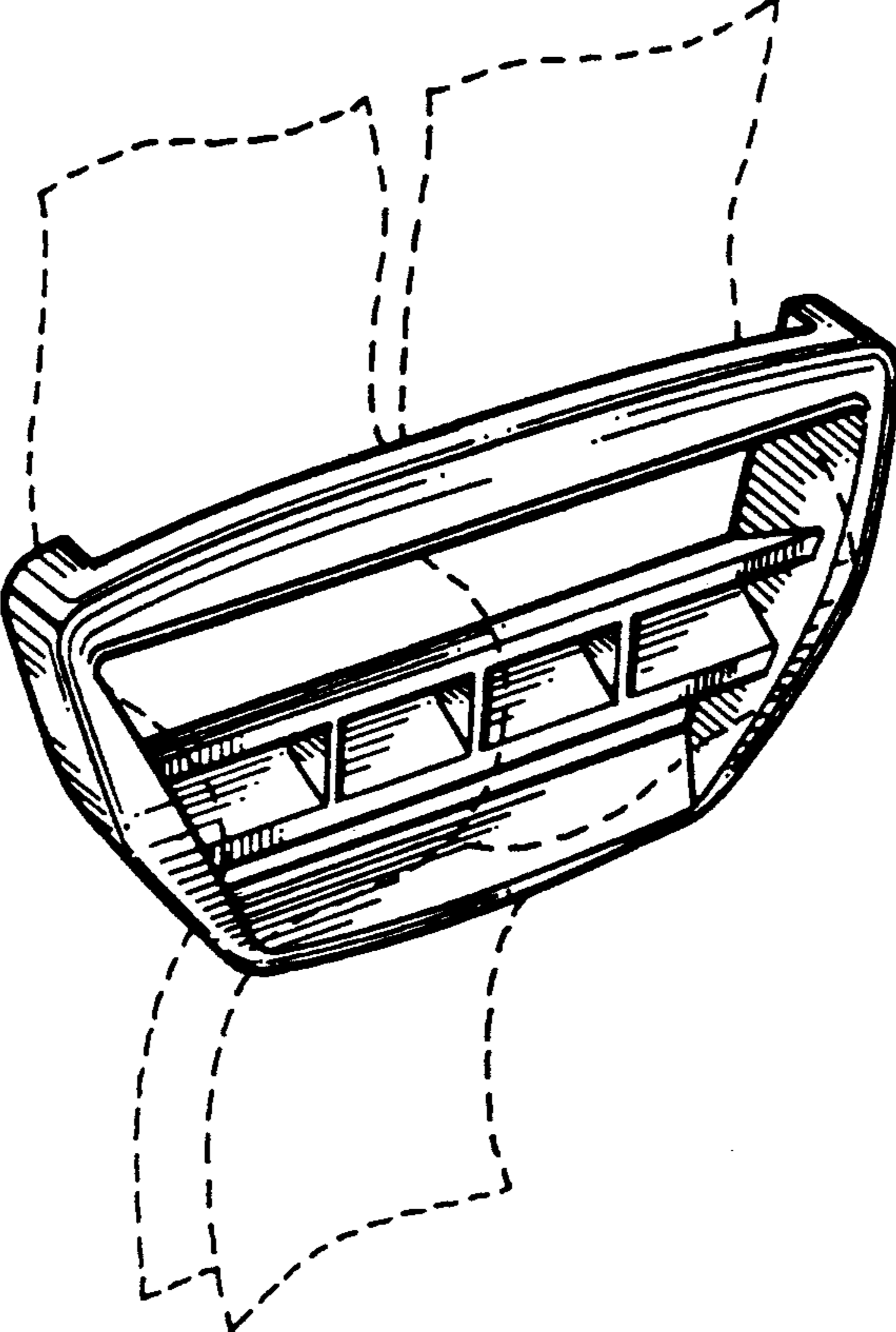


FIG. 1

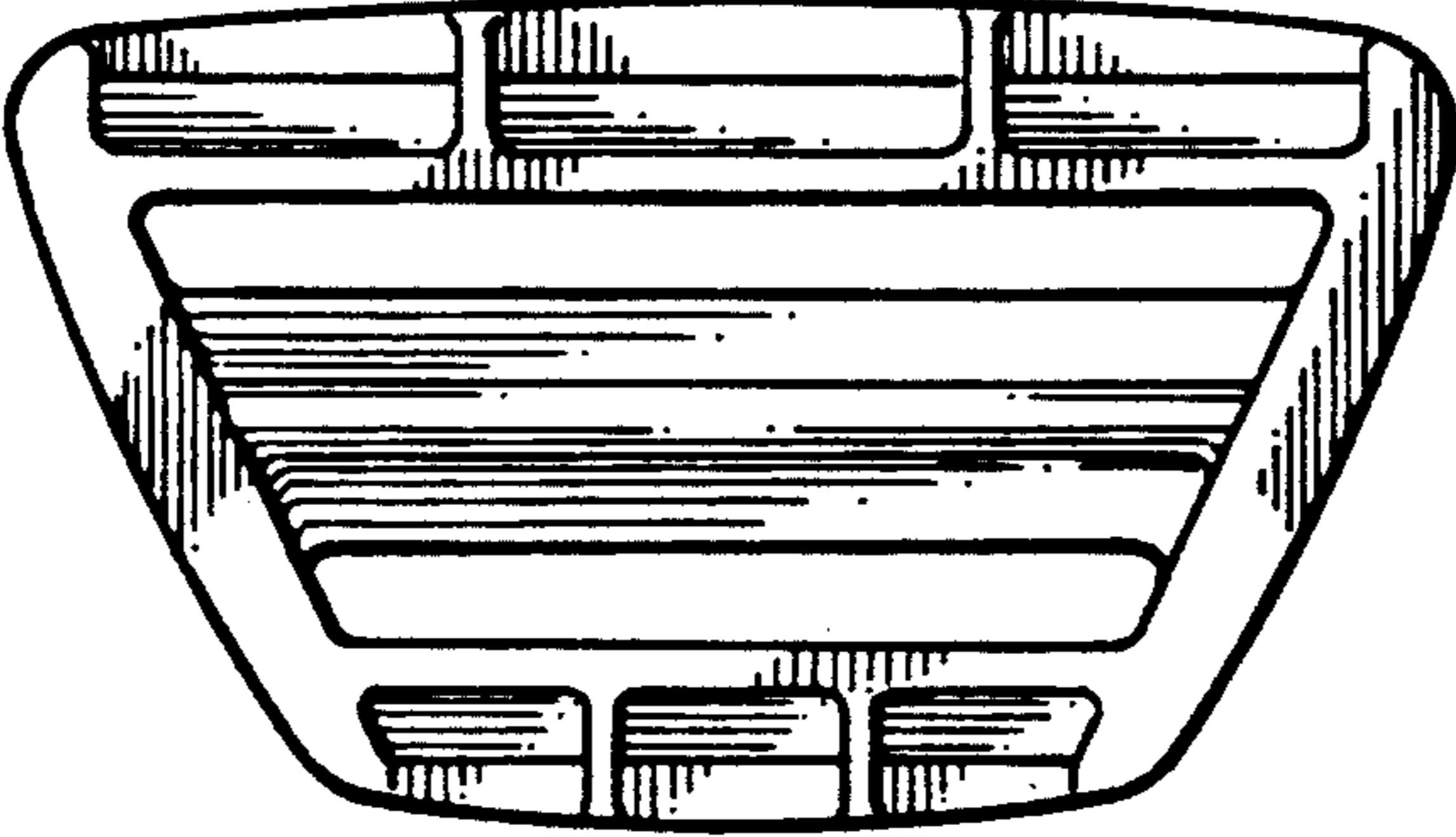


FIG. 2



FIG. 3

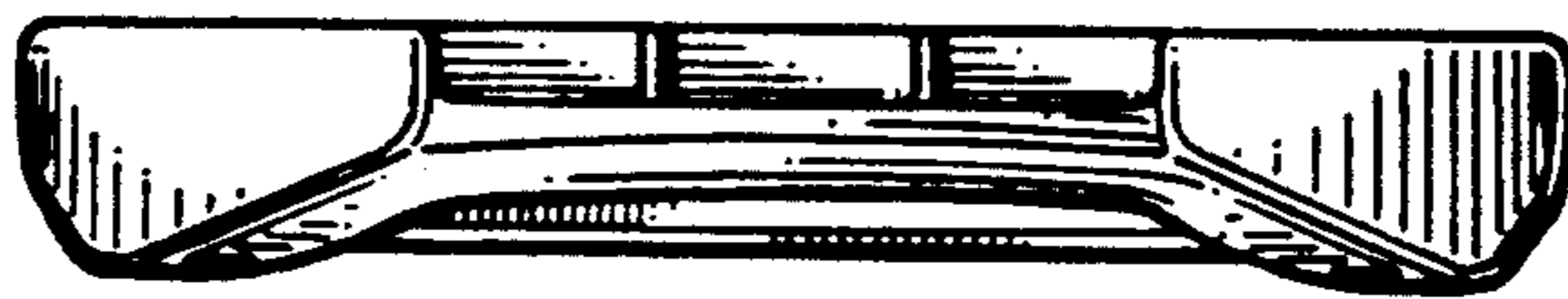


FIG. 4

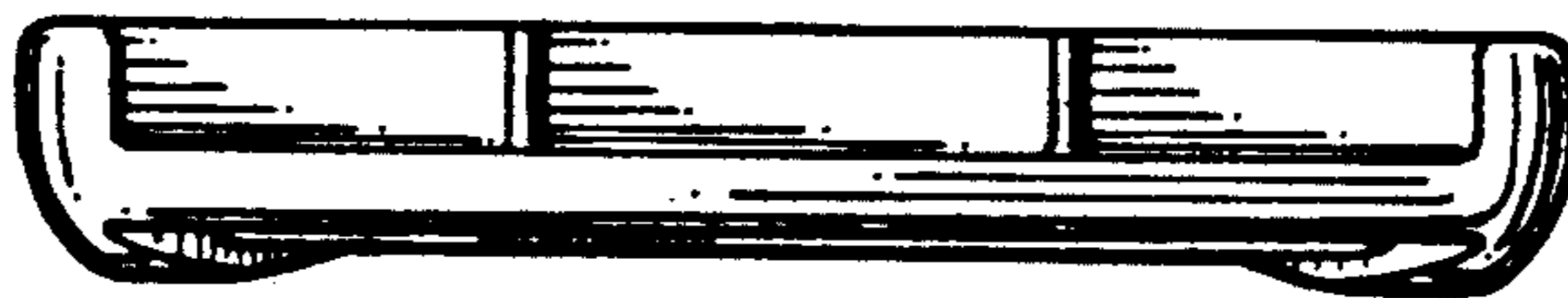


FIG. 5

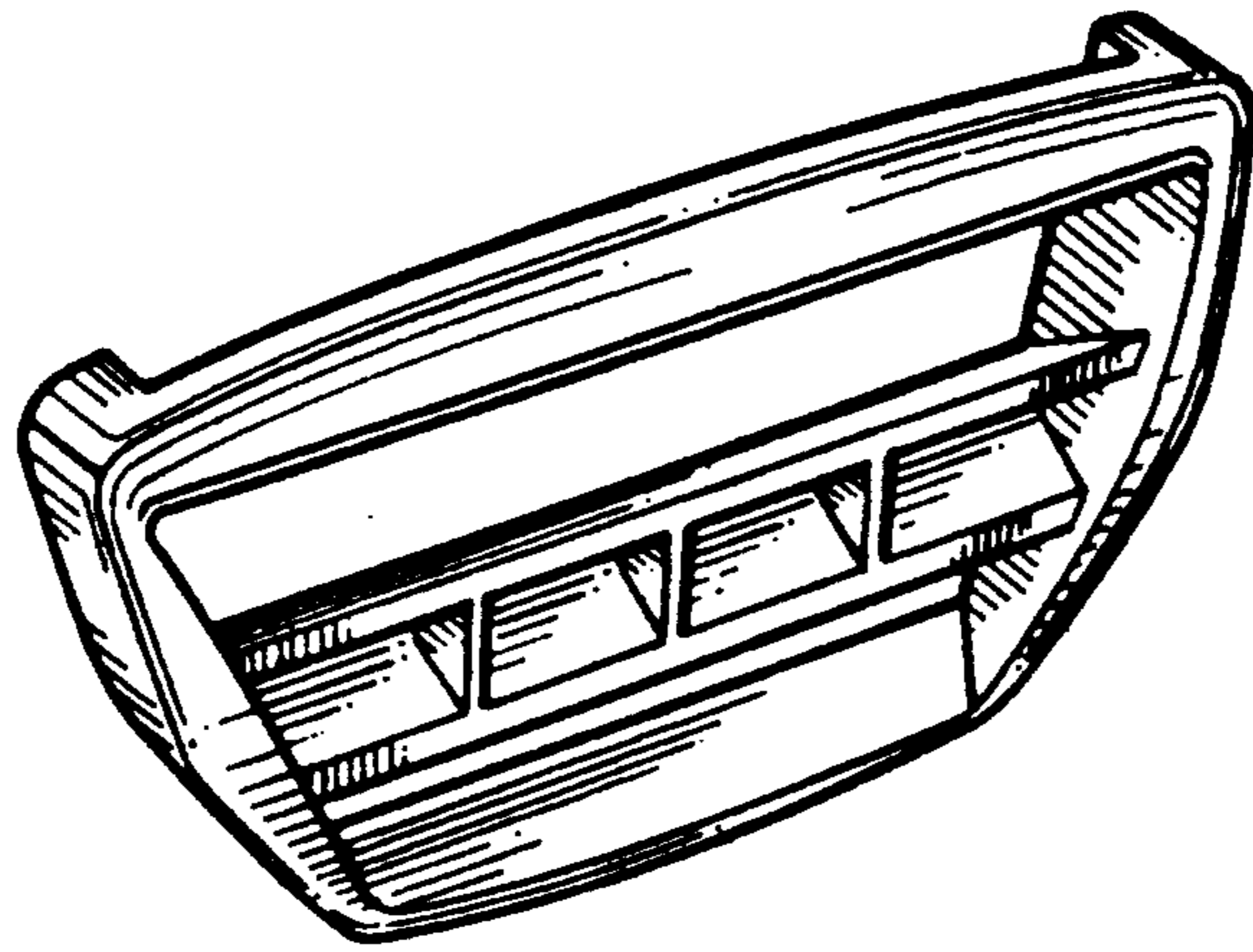


FIG. 6