



US00D344603S

United States Patent [19] Krivatch

[11] Patent Number: Des. 344,603

[45] Date of Patent: ** Feb. 22, 1994

[54] ADJUSTABLE LIGHT FOR A PROJECTILE GAME BOARD

[76] Inventor: Michael J. Krivatch, 213 Lake St., Delaware, Ohio 43015

[**] Term: 14 Years

[21] Appl. No.: 831,283

[22] Filed: Feb. 4, 1992

[52] U.S. Cl. D26/63

[58] Field of Search 362/269, 275, 285, 418, 362/419, 427; D26/60-66

[56] **References Cited**

U.S. PATENT DOCUMENTS

D. 169,998	7/1953	Witt	D26/60
574,027	12/1896	Gallsworthy	108/23
1,963,477	6/1934	Stein	108/23
2,031,304	2/1936	Eller	108/23
2,131,708	9/1938	Lesperance	108/23
2,559,224	7/1951	Quidor	362/220 X R
2,662,164	12/1953	Murray	240/4
4,118,766	10/1978	Kredo	362/427
4,312,507	1/1982	Smith et al.	273/237

FOREIGN PATENT DOCUMENTS

1160345	12/1963	Fed. Rep. of Germany	430/240
233677	11/1944	Switzerland	362/418

OTHER PUBLICATIONS

Architectural Record, Aug. 1985, p. 163, Task light (gr. 2900—Desk Lamp Box).

Electrix Task lighting Catalog, 1987, p. 4, Fluorescent Task Light #2069 (gr. 2900—Desk Lamp Box).

Primary Examiner—Susan J. Lucas

Attorney, Agent, or Firm—Richard C. Litman

[57] **CLAIM**

The ornamental design for an adjustable light for a projectile game board, as shown and described.

DESCRIPTION

FIG. 1 is a front, top and right side perspective view of an adjustable light for a projectile game board showing my new design;

FIG. 2 is a front, top and right side environmental perspective view thereof, the portion of the figure shown in broken lines representing a projectile game board and forming no part of the claimed design;

FIG. 3 is a right side elevational view thereof, the left side elevational view being a mirror image;

FIG. 4 is a front elevational view thereof, the rear elevational view being a mirror image with the exception of the electrical cord and arm stops;

FIG. 5 is a bottom plan view thereof; and,

FIG. 6 is a top plan view thereof.

FIGS. 1 and 4 through 6 show the design with the extension arms in a partially extended position, while FIG. 2 shows the design with the extension arms in a retracted position and FIG. 3 shows the design with the extension arms in a fully extended position. The electrical cord is shown fragmented in FIGS. 1 through 4 for greater clarity in those views.

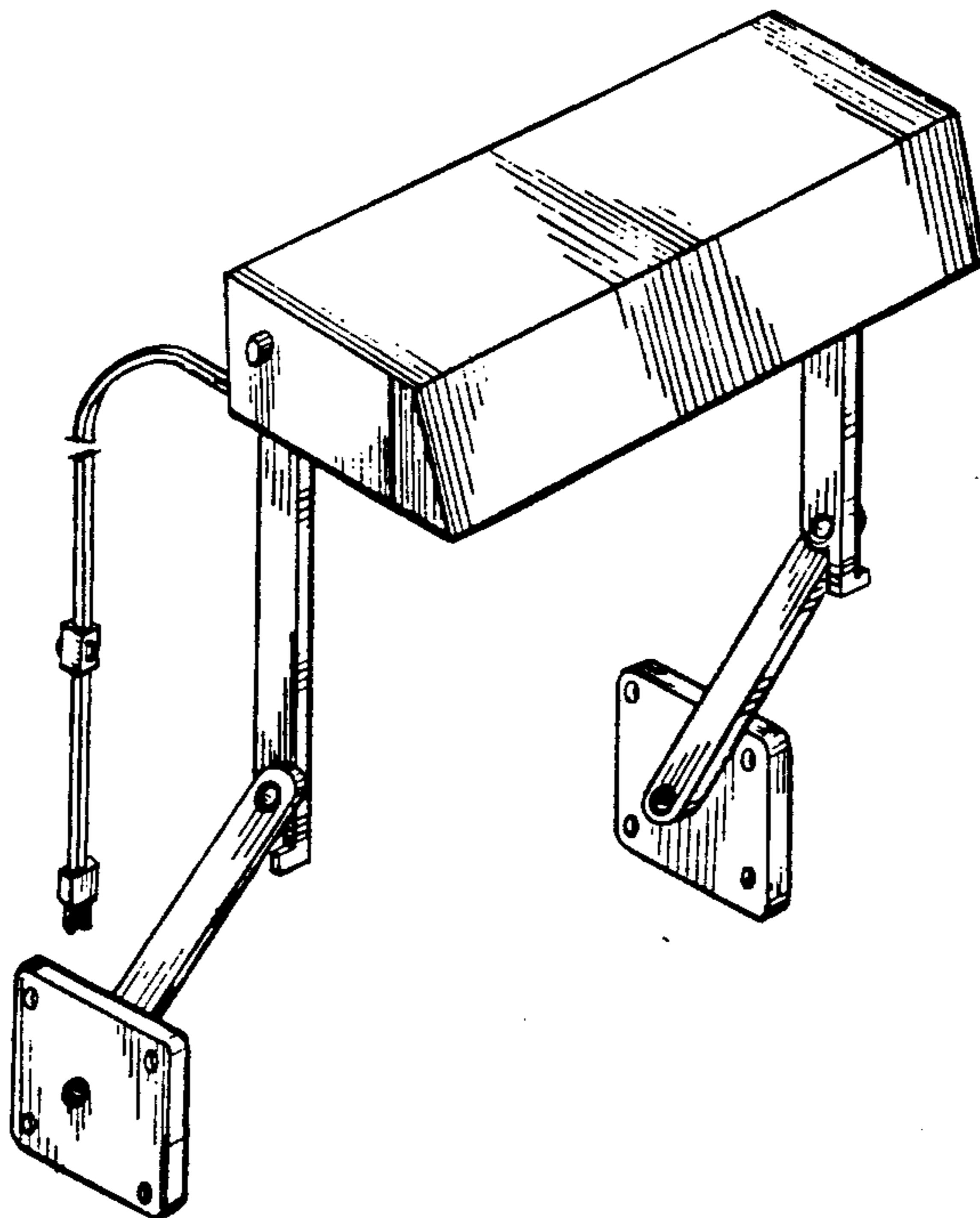


FIG. 1

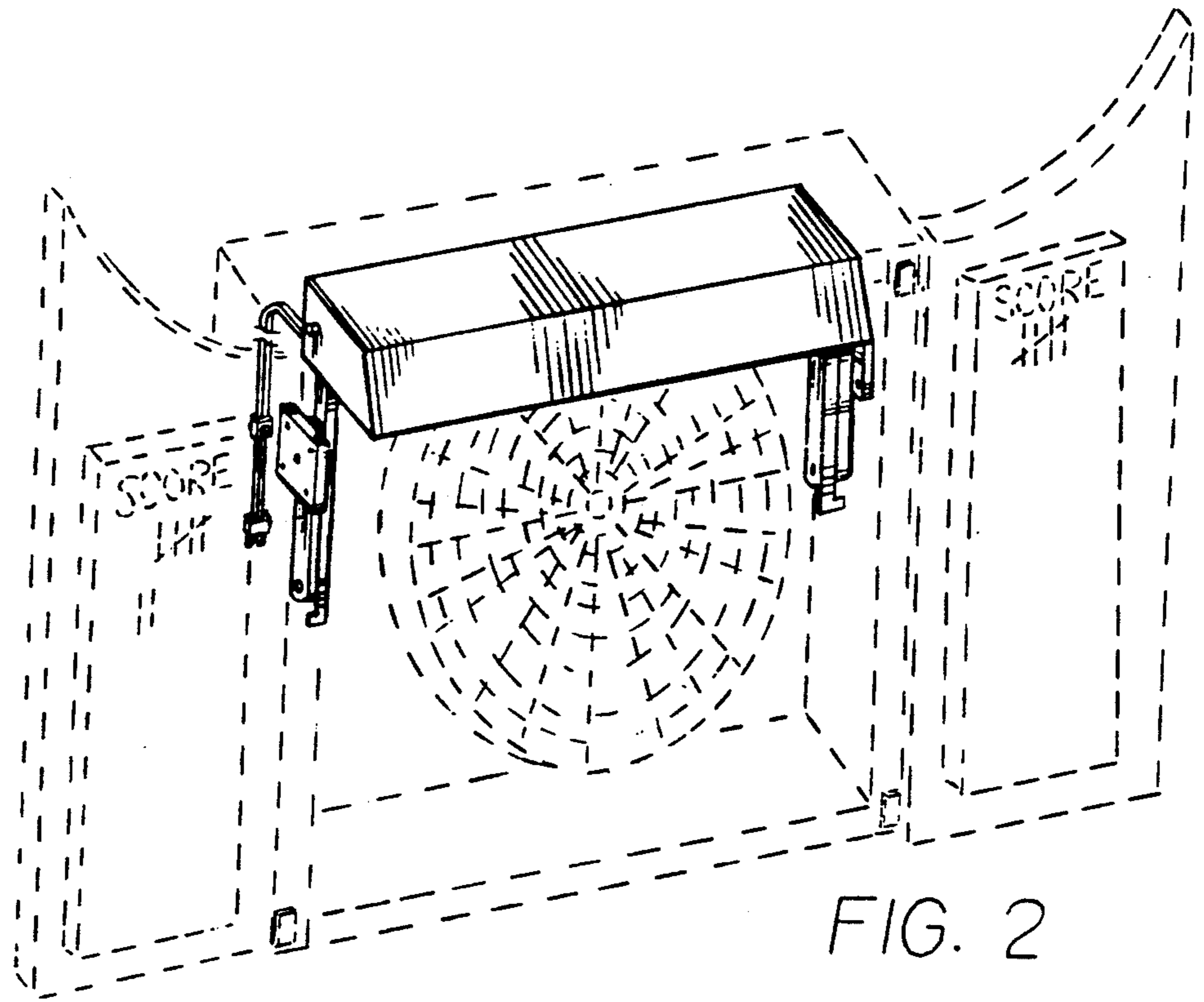
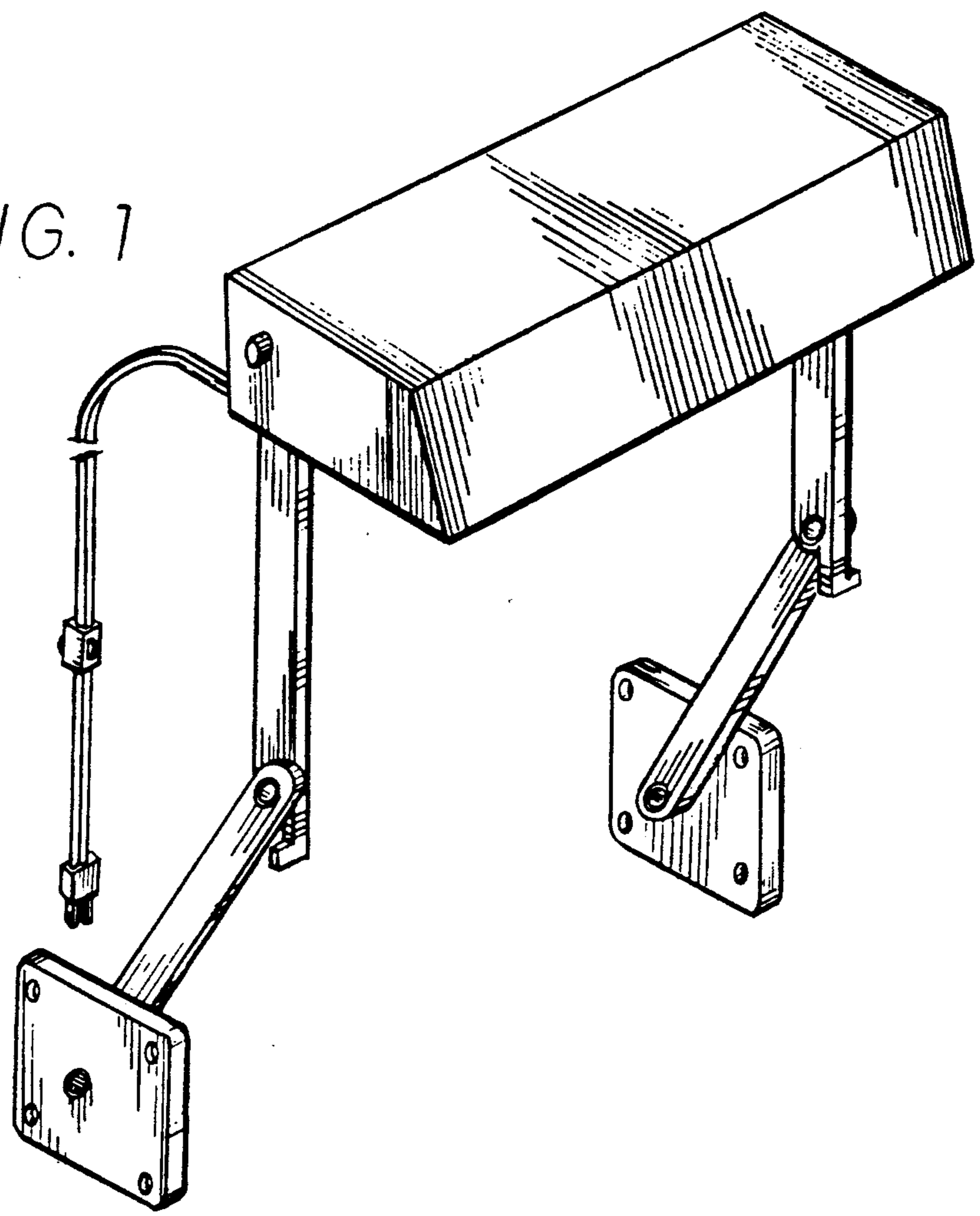


FIG. 2

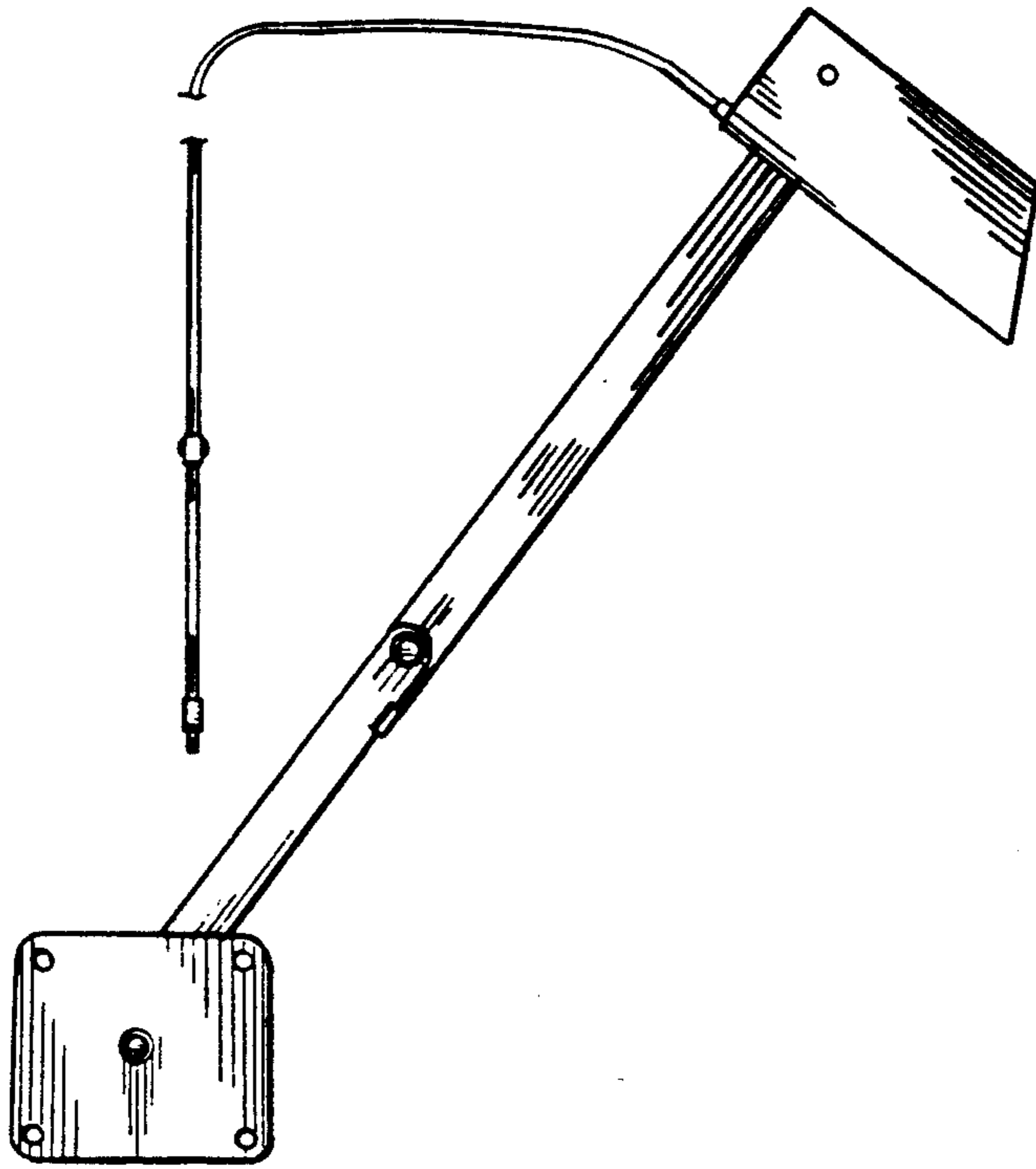


FIG. 3

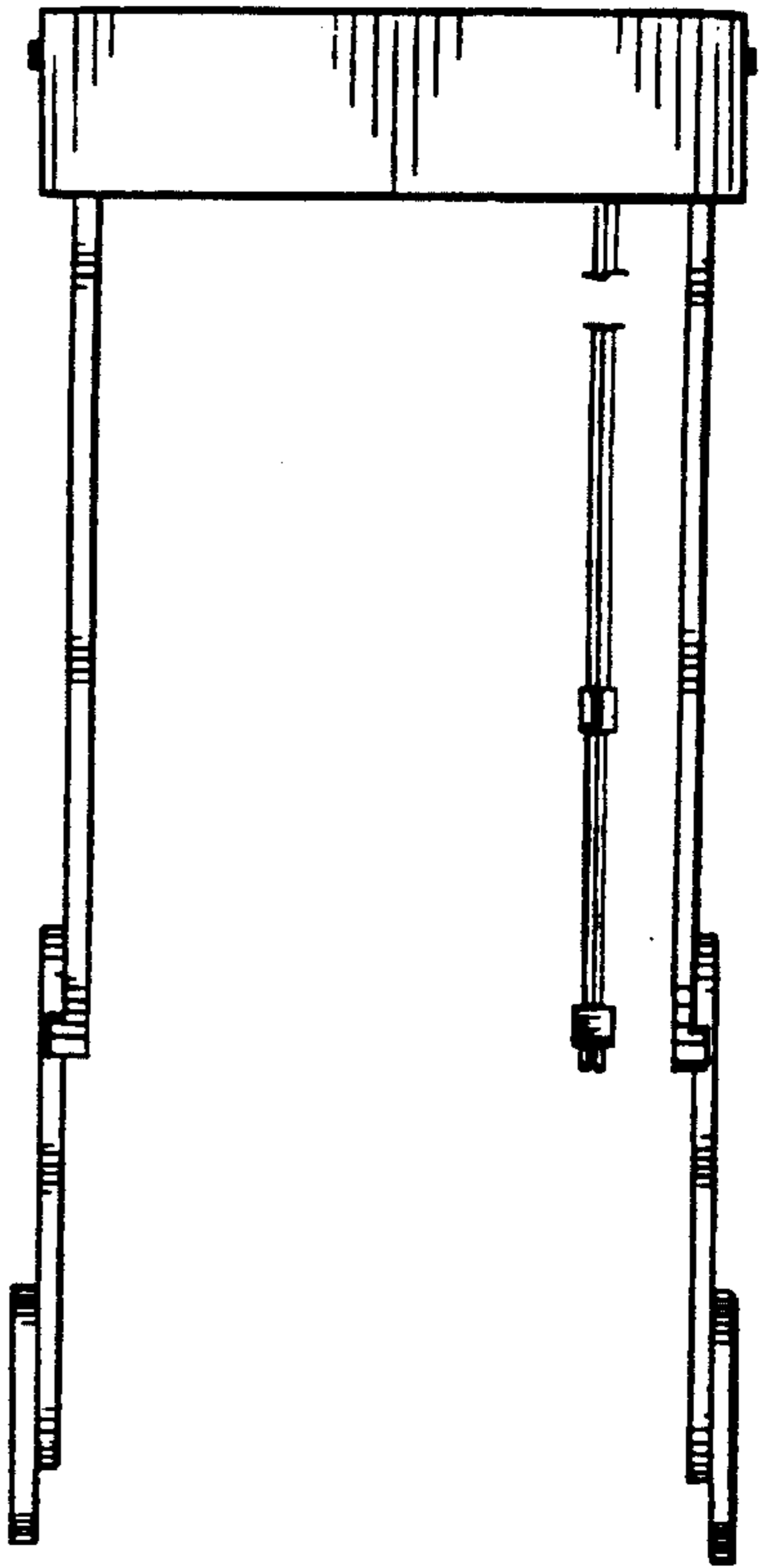


FIG. 4

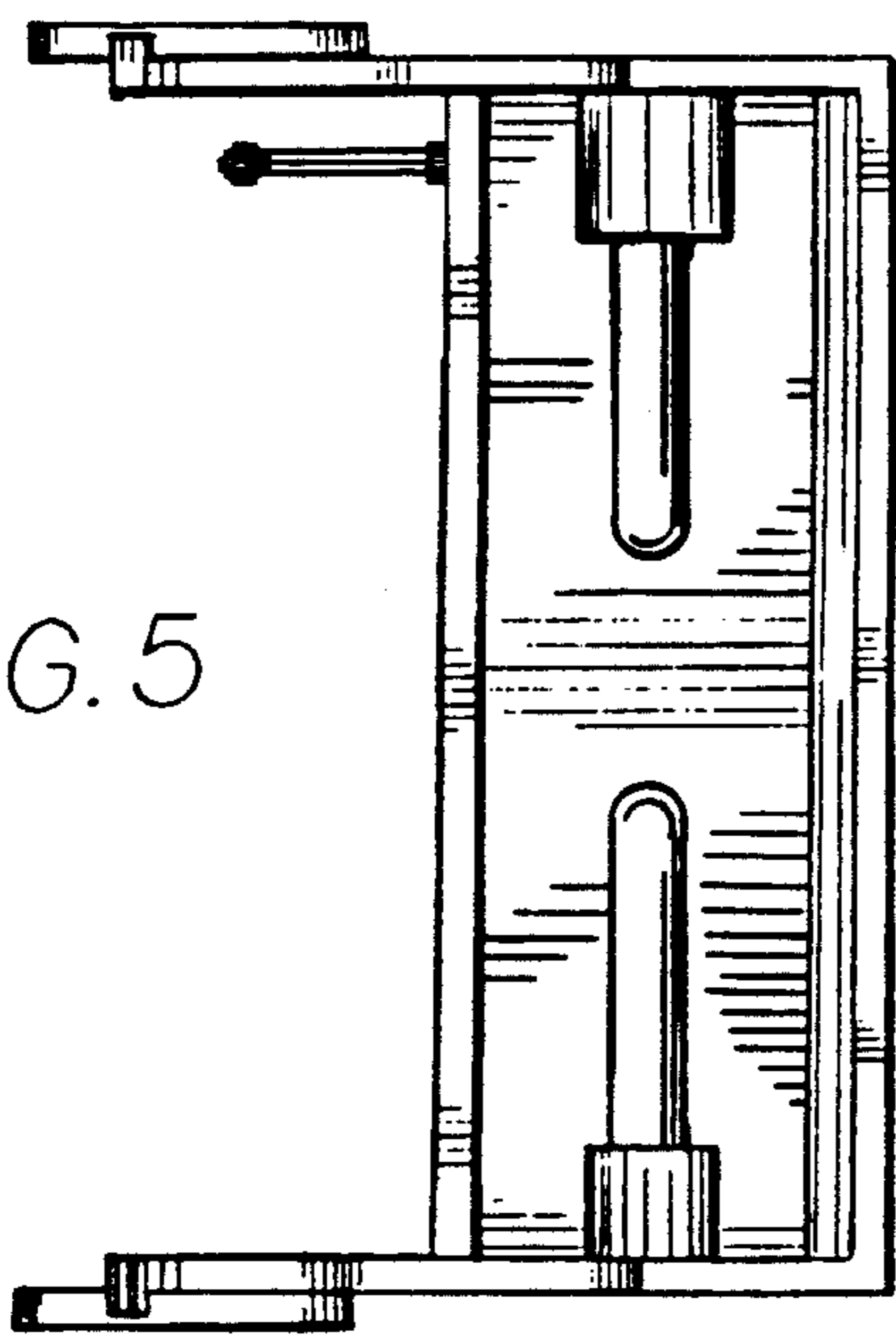


FIG. 5

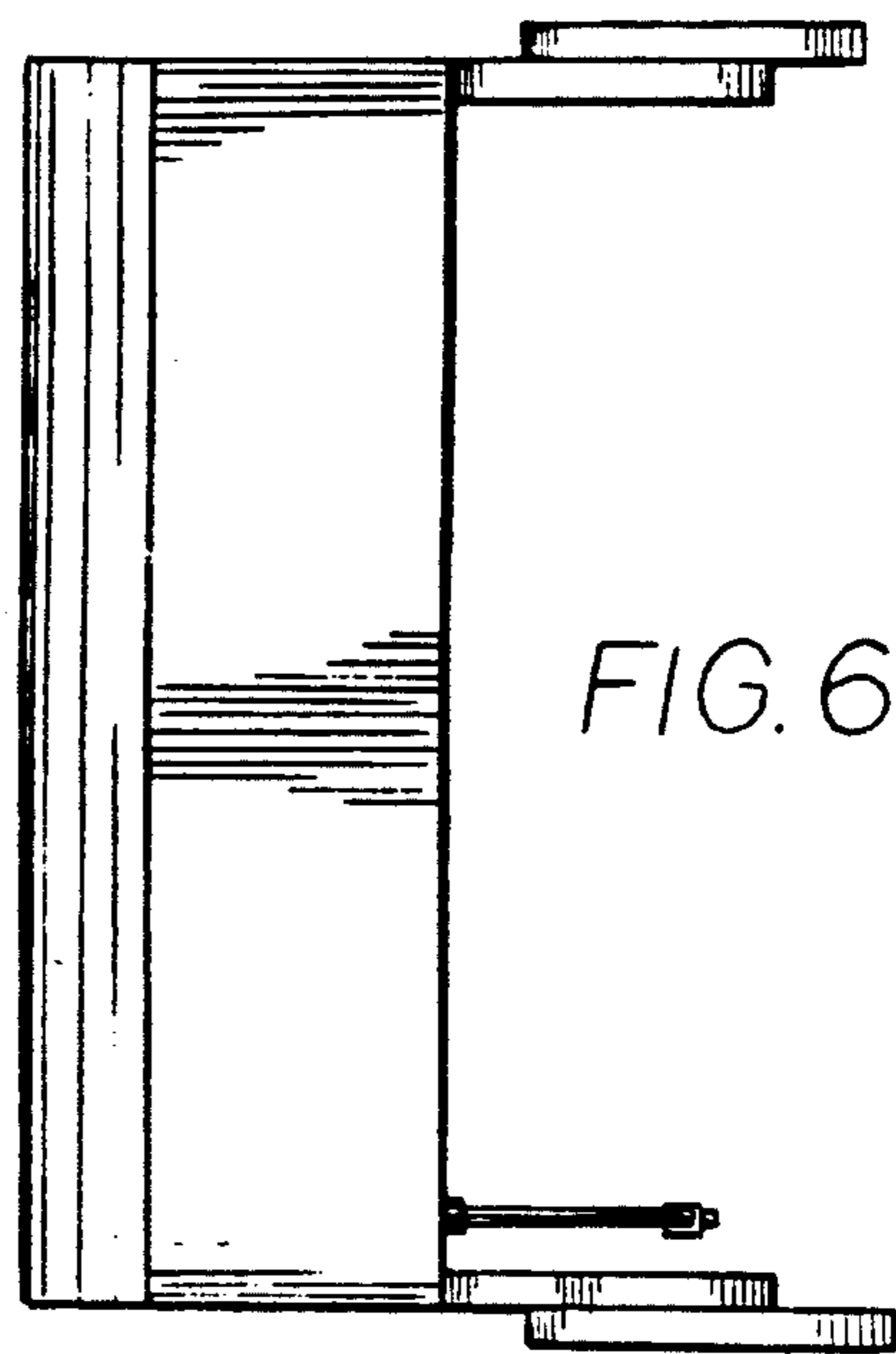


FIG. 6