



US00D344600S

United States Patent [19]
Bancroft

[11] **Patent Number: Des. 344,600**

[45] **Date of Patent: ** Feb. 22, 1994**

[54] **FRAME SILL**

[76] **Inventor: Joseph C. Bancroft, 134 Harmony La., McComb, Miss. 39648**

[**] **Term: 14 Years**

[21] **Appl. No.: 940,818**

[22] **Filed: Sep. 8, 1992**

[52] **U.S. Cl. D25/124; D25/60**

[58] **Field of Search 49/DIG. 2, 504; D25/60, D25/124**

[56] **References Cited**

U.S. PATENT DOCUMENTS

- D. 285,610 9/1986 Slocomb, Jr. D25/124
- D. 311,587 10/1990 Slocomb, Jr. D25/124
- D. 314,241 1/1991 Slocomb, Jr. D25/124
- 4,516,356 5/1985 Delman 49/504

Primary Examiner—A. Hugo Word

Assistant Examiner—Doris Clark
Attorney, Agent, or Firm—MacDonald J. Wiggins

[57] **CLAIM**

The ornamental design for a frame sill, as shown and described.

DESCRIPTION

FIG. 1 is a fragmentary top perspective view of the frame sill showing my design;
 FIG. 2 is a top plan view thereof broken away to indicate indeterminate length;
 FIG. 3 is bottom plan view thereof broken away to indicate indeterminate length;
 FIG. 4 is a front elevational view thereof in which the rear elevational view is a mirror image of the front view;
 FIG. 5 is right elevational view thereof broken away to indicate indeterminate length; and,
 FIG. 6 is a left elevational view thereof broken away to indicate indeterminate length.

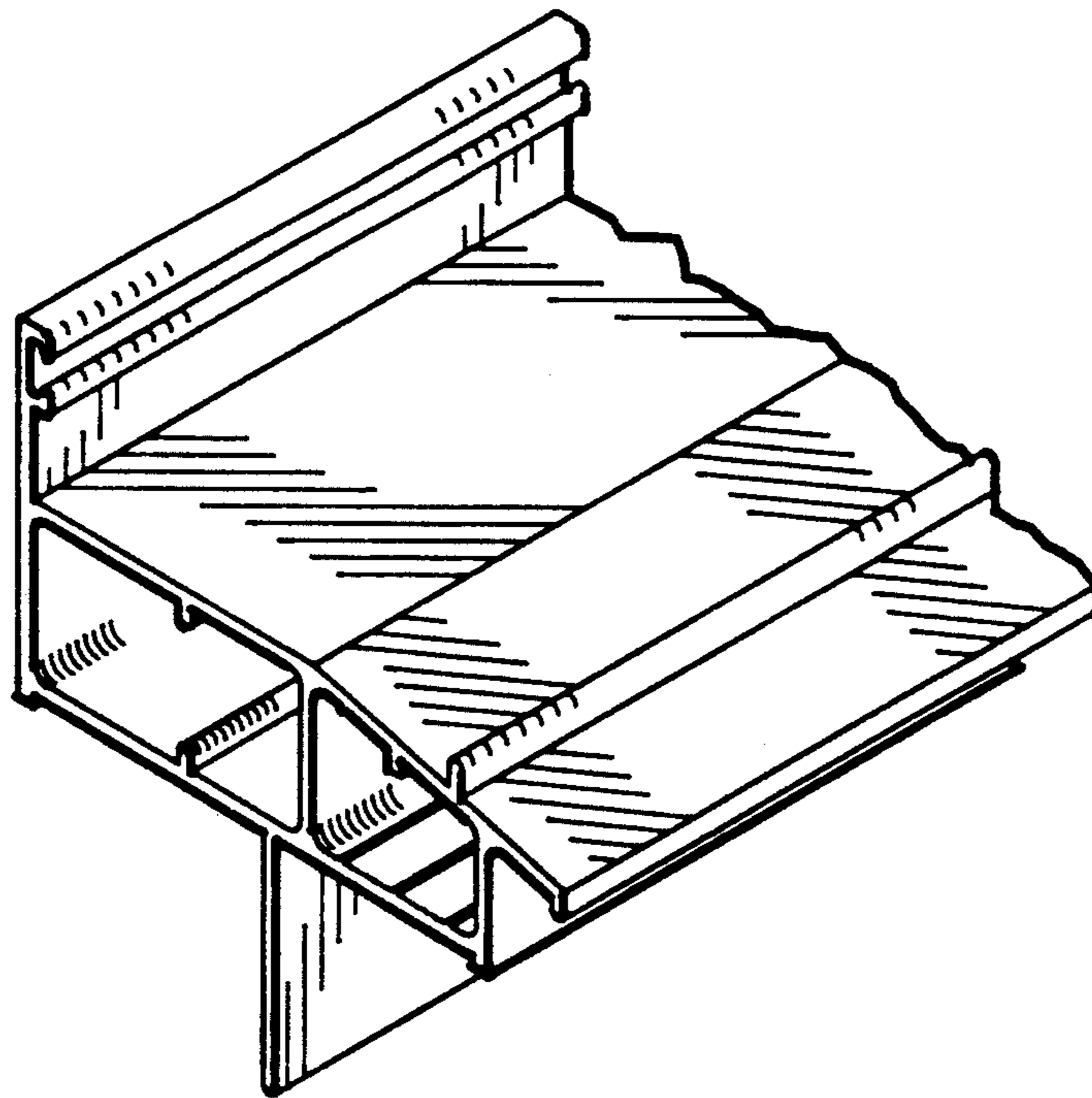


FIG. 1

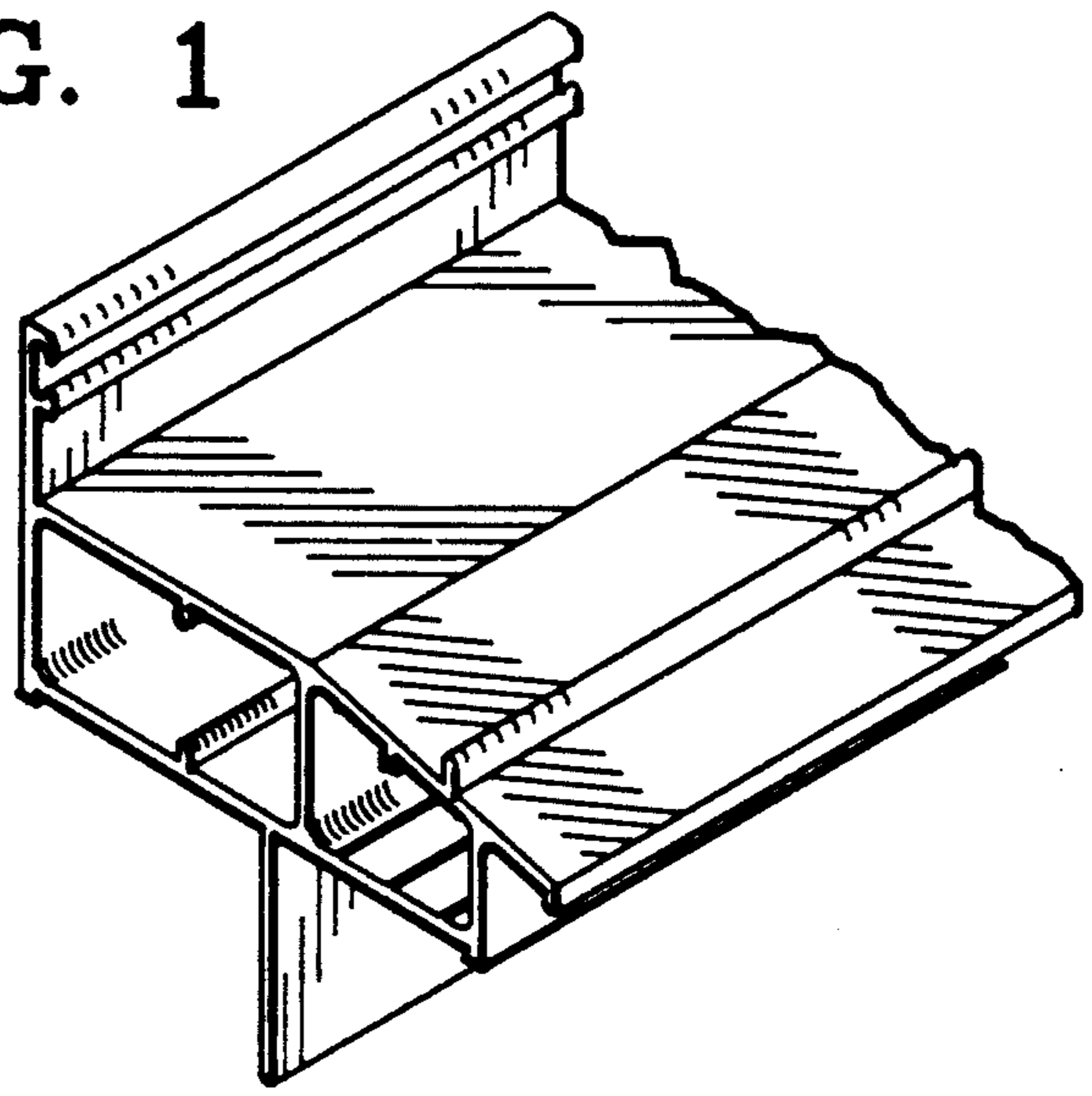


FIG. 2

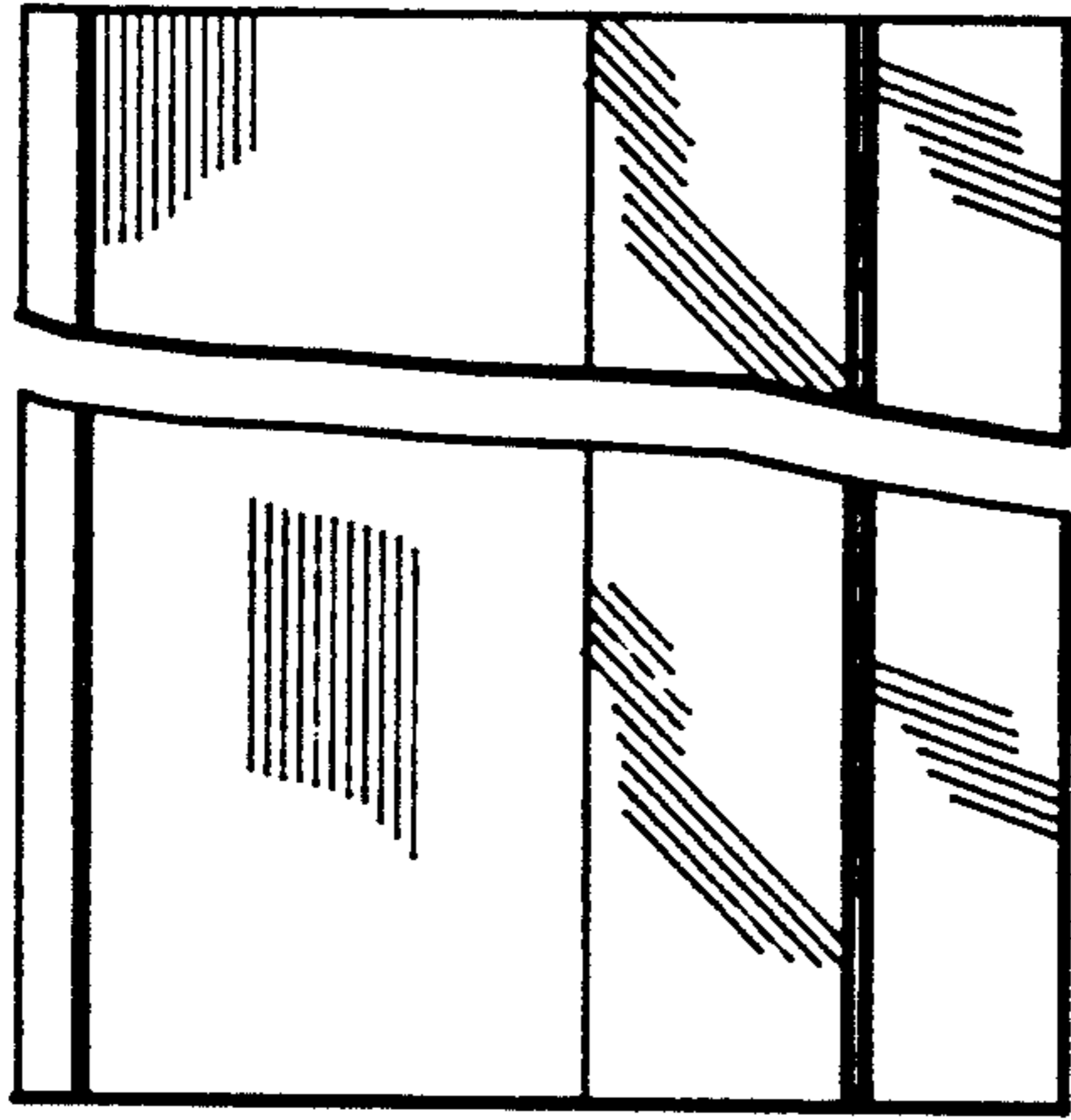


FIG. 3

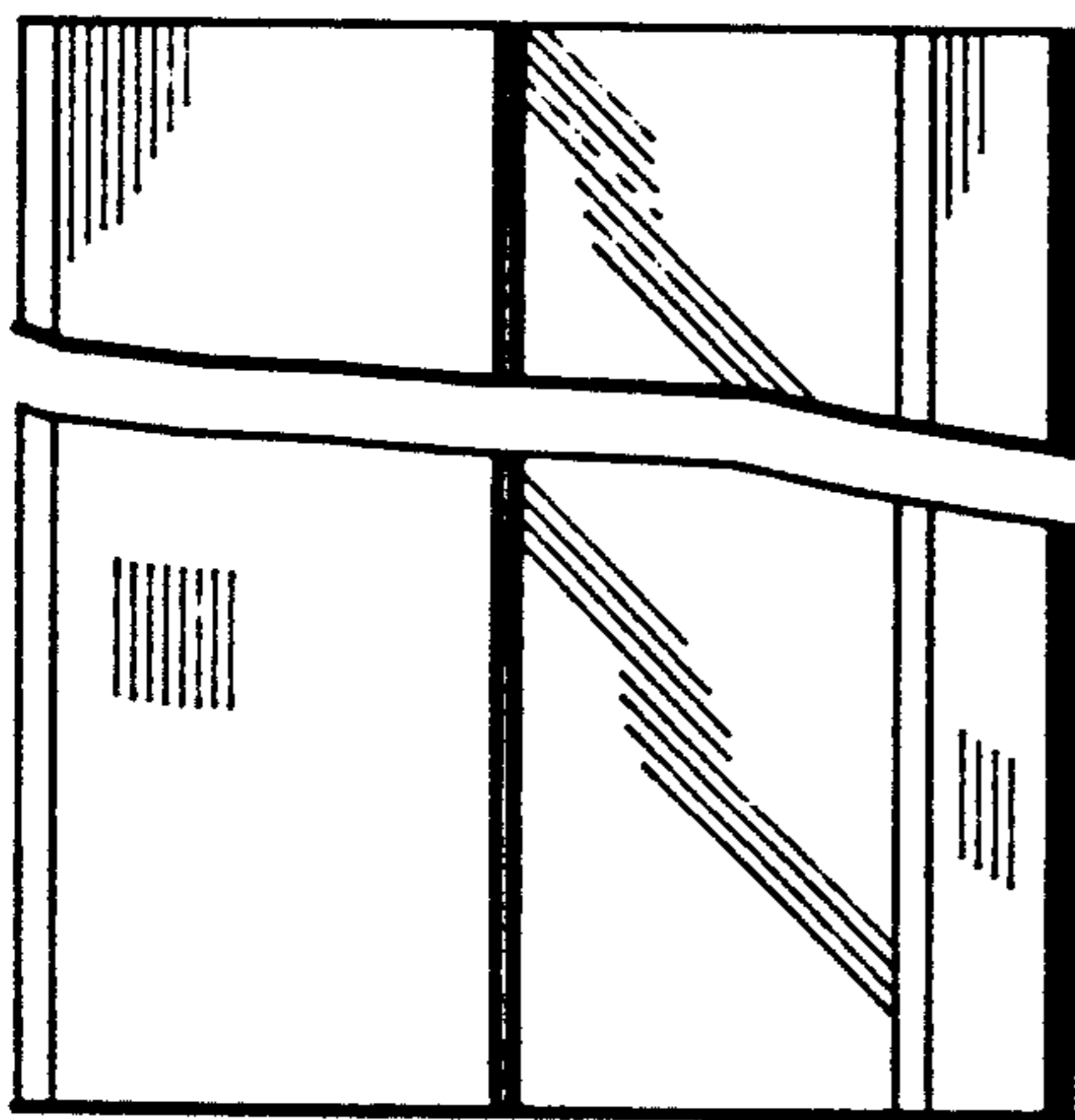


FIG. 5

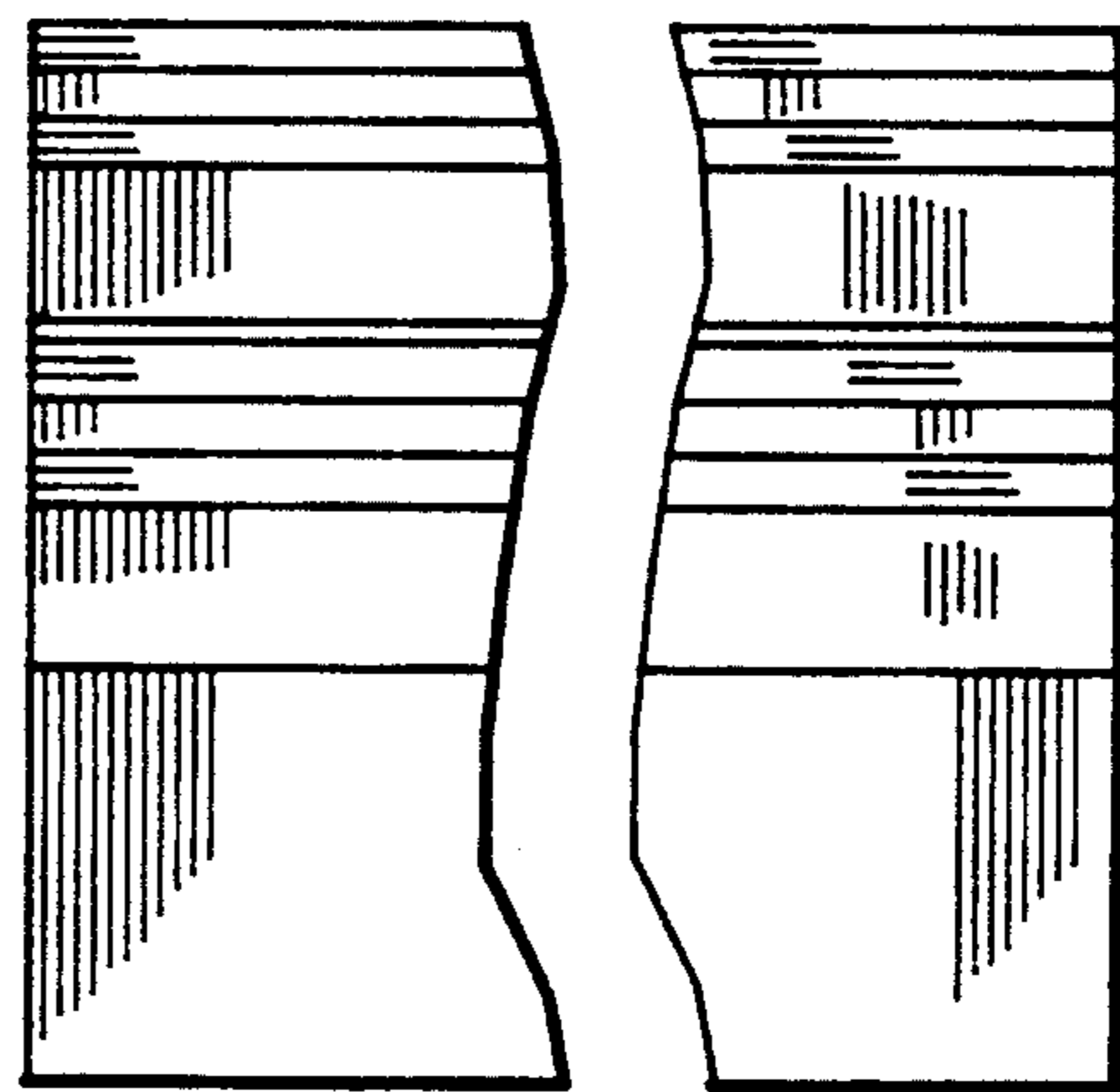


FIG. 4

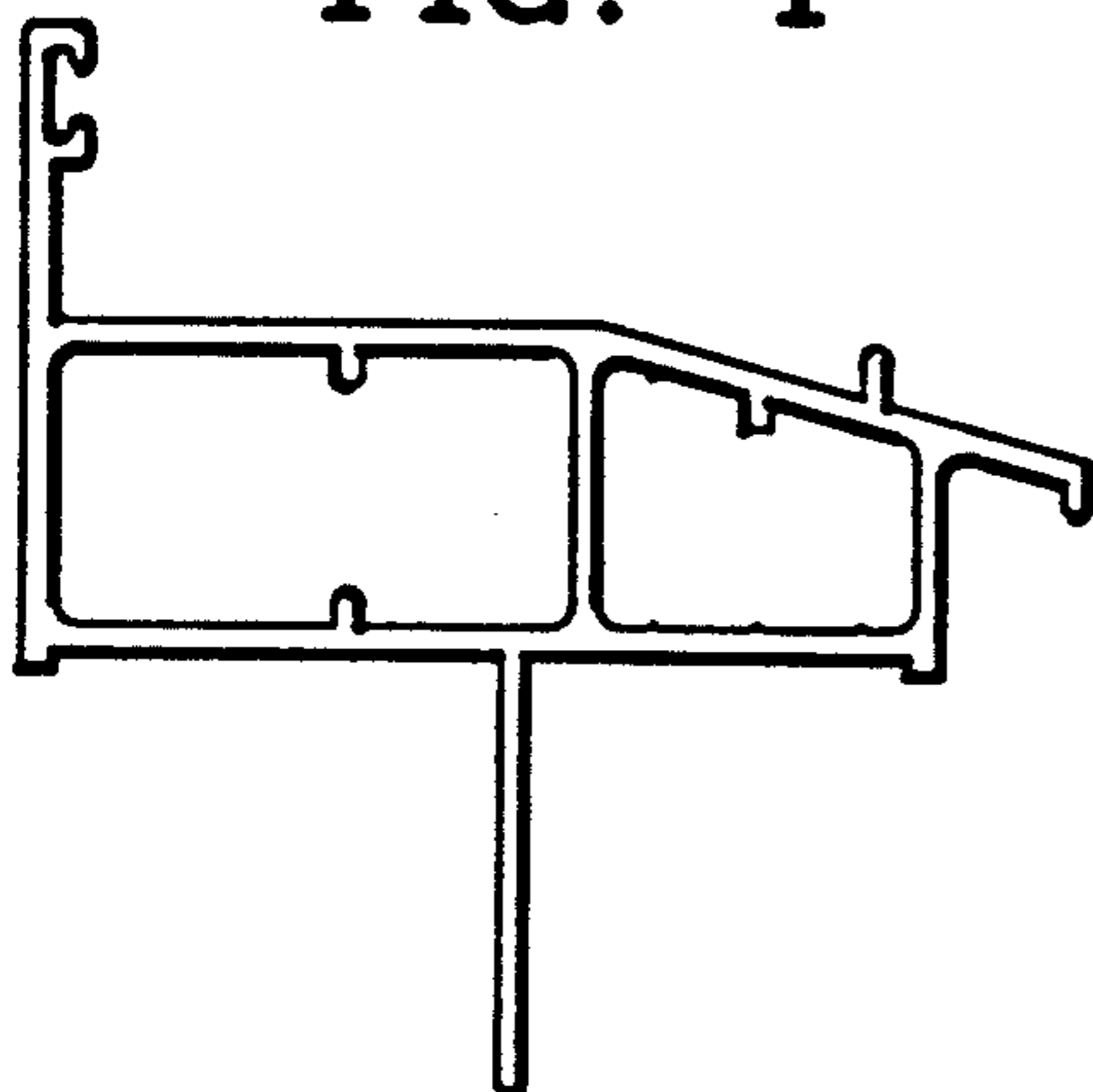


FIG. 6

