



US00D344598S

# United States Patent [19]

[11] Patent Number: **Des. 344,598**

**Ehmke et al.**

[45] Date of Patent: **\*\* Feb. 22, 1994**

## [54] STRUCTURAL EXTRUSION

[75] Inventors: **Robert J. Ehmke, Germantown;**  
**David J. Schmitz, Milwaukee, both**  
**of Wis.**

[73] Assignee: **Design Specialties, Inc., Milwaukee,**  
**Wis.**

[\*\*] Term: **14 Years**

[21] Appl. No.: **905,862**

[22] Filed: **Jun. 29, 1992**  
(Under 37 CFR 1.47)

[52] U.S. Cl. .... **D25/124**

[58] Field of Search ..... **49/504; 52/232.1;**  
**D25/119-124**

### [56] References Cited

#### U.S. PATENT DOCUMENTS

- |            |         |                |       |         |
|------------|---------|----------------|-------|---------|
| D. 267,347 | 12/1982 | Walsh          | ..... | D25/124 |
| D. 270,660 | 9/1983  | Ort            | ..... | D25/124 |
| D. 270,666 | 9/1983  | Cascone et al. | ..... | D25/124 |

*Primary Examiner*—A. Hugo Word  
*Assistant Examiner*—Doris Clark  
*Attorney, Agent, or Firm*—Godfrey & Kahn

### [57] CLAIM

The ornamental design of a structural extrusion, as shown and described.

### DESCRIPTION

FIG. 1 is a perspective view of the structural extrusion showing our new design;

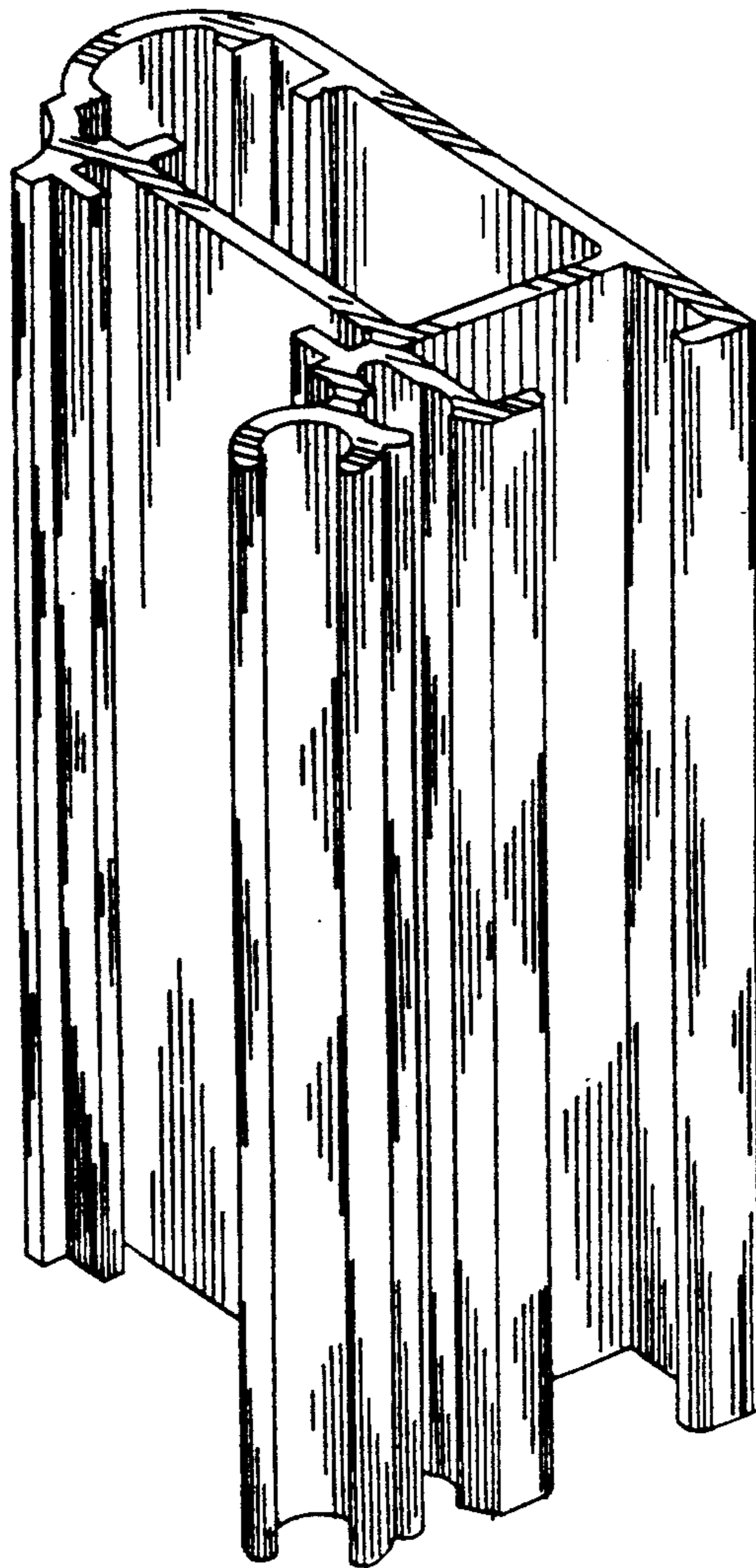
FIG. 2 is an end view of the structural extrusion showing our new design;

FIG. 3 is a side elevation view of the structural extrusion showing our new design;

FIG. 4 is a side elevation view of the structural extrusion opposite to that shown in FIG. 3 and showing our new design;

FIG. 5 is a front elevation view of the structural extrusion showing our new design; and,

FIG. 6 is a rear elevation view of the structural extrusion showing our new design.



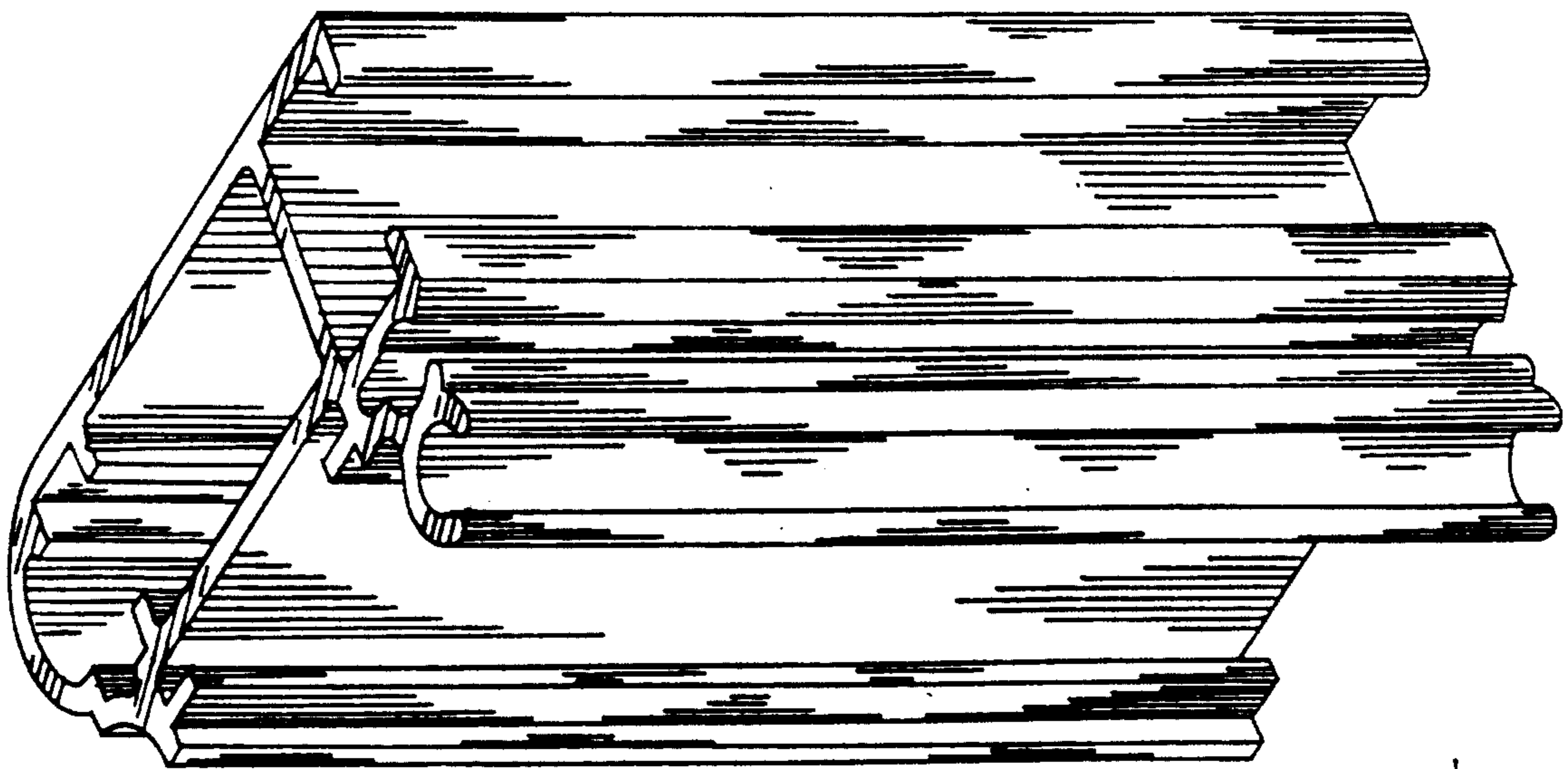


FIG. 1

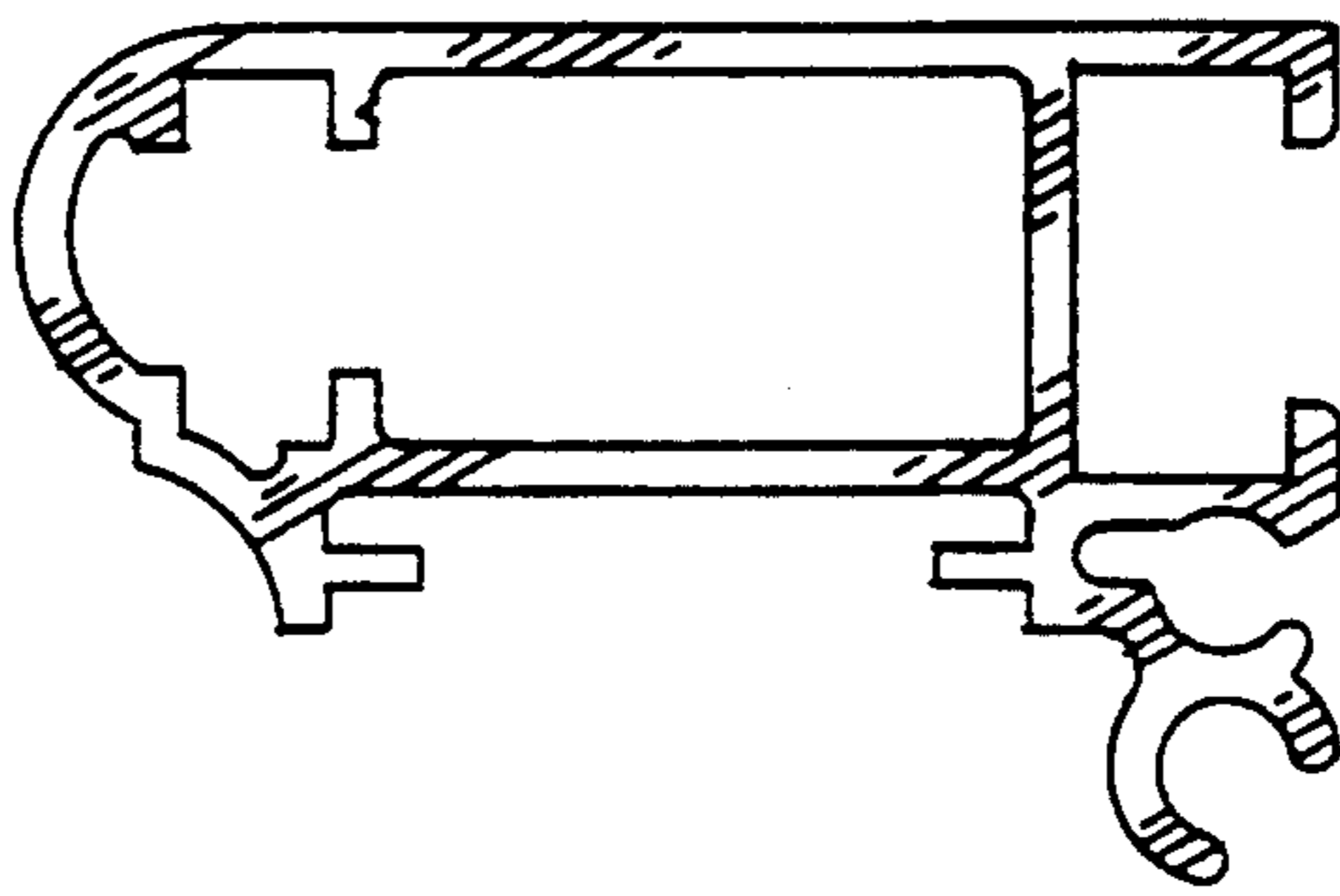


FIG. 2

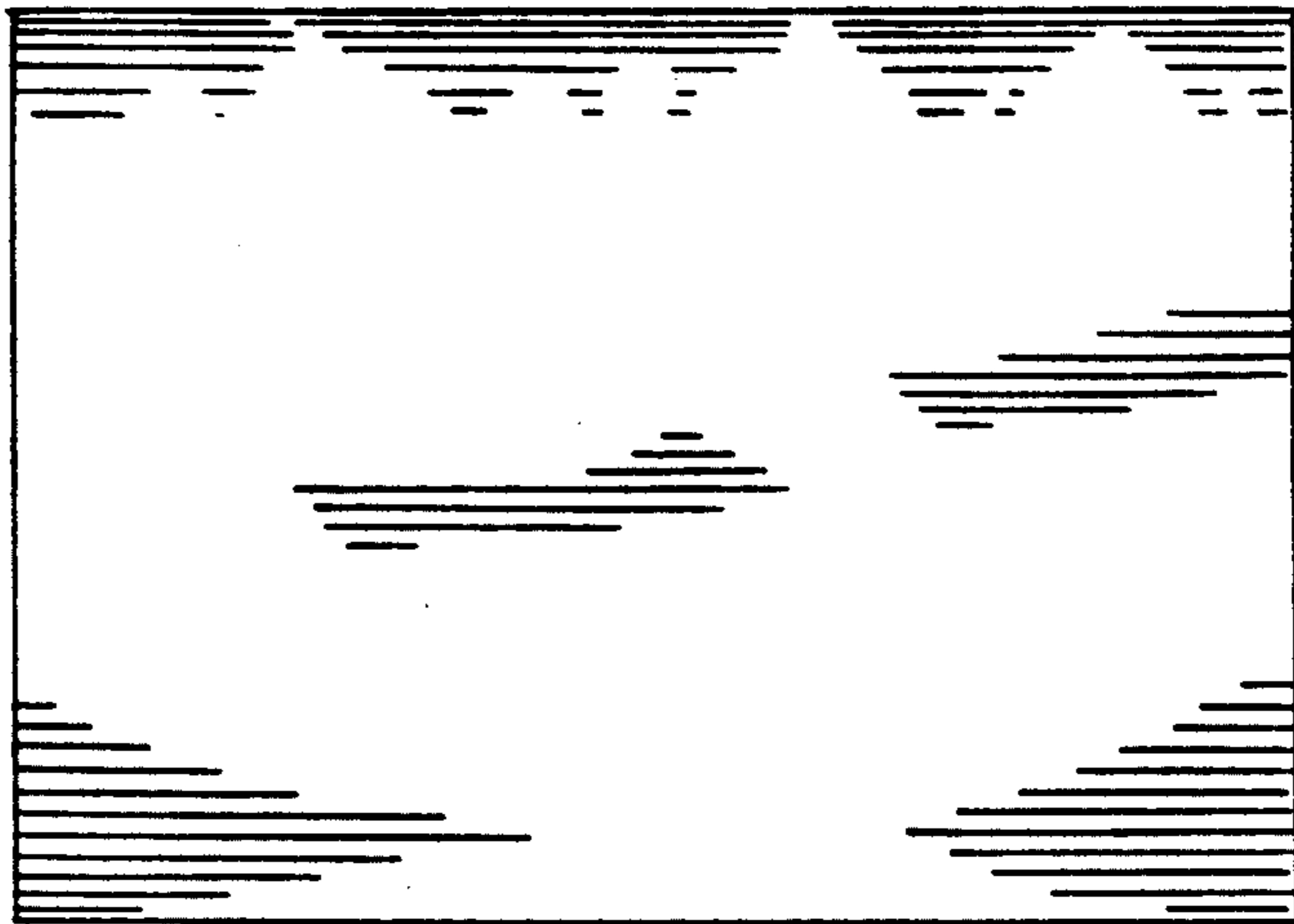


FIG. 3

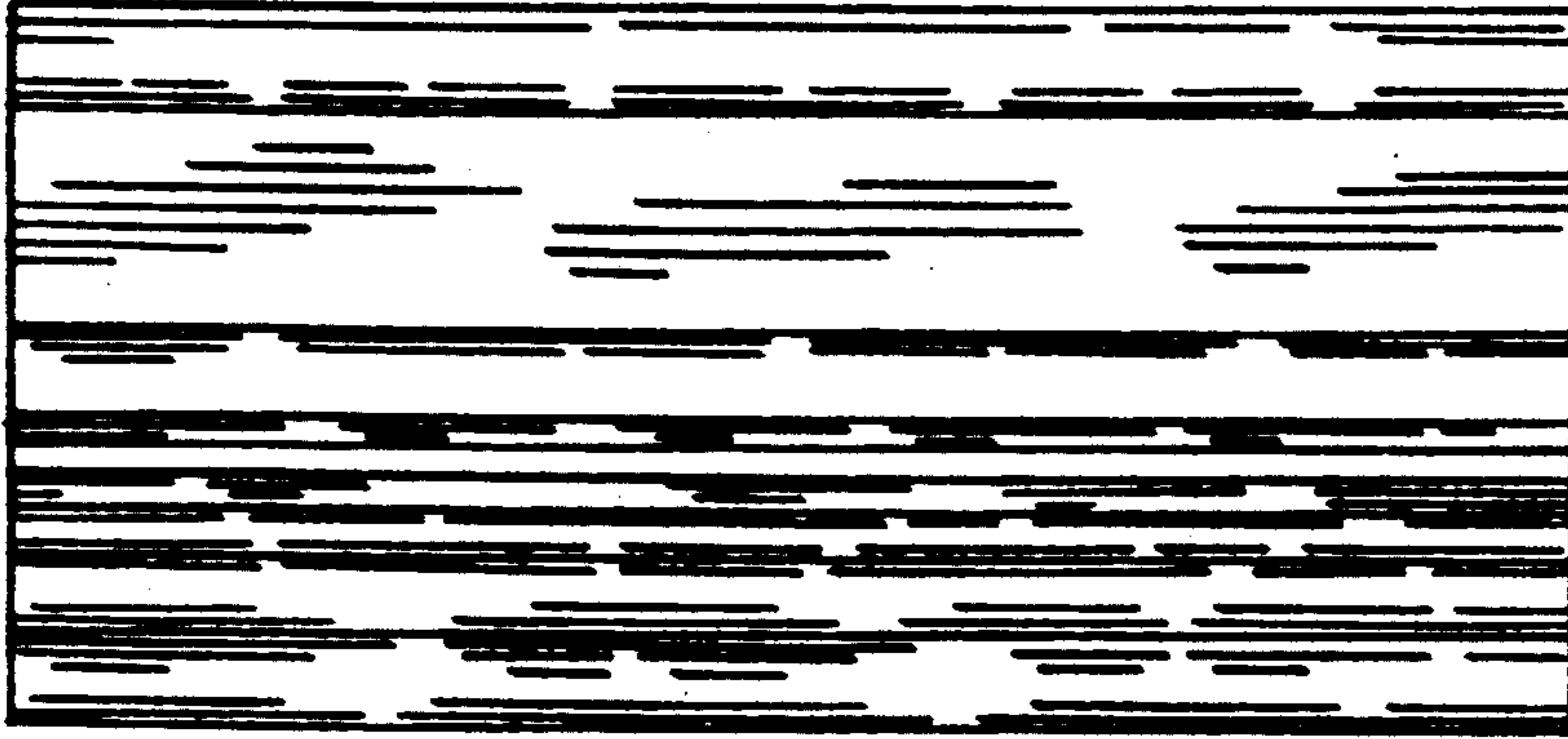


FIG. 6



FIG. 5

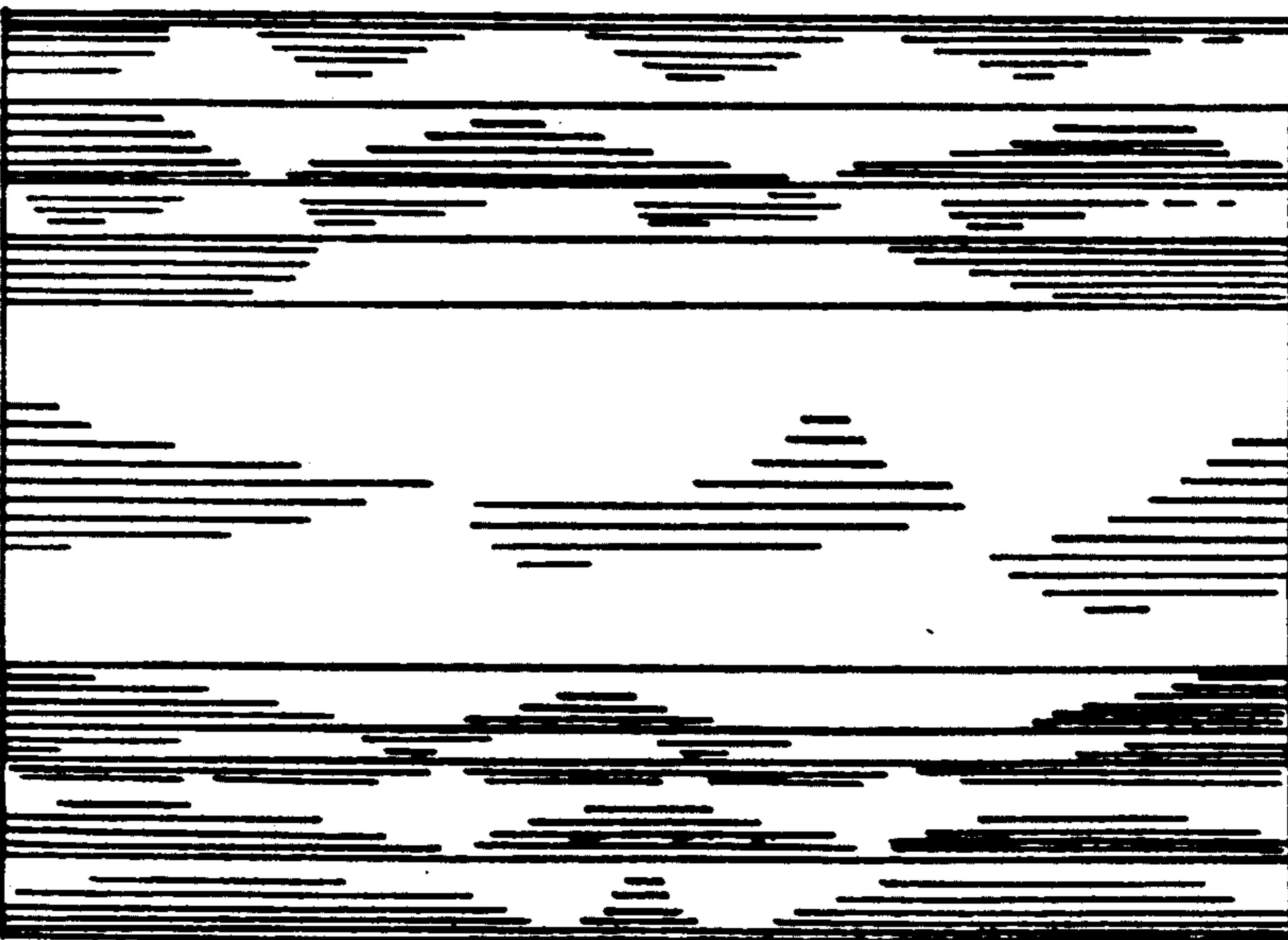


FIG. 4