



US00D344597S

# United States Patent [19]

[11] Patent Number: **Des. 344,597**

**Bancroft**

[45] Date of Patent: **\*\* Feb. 22, 1994**

[54] **FRAME SILL JAMB**

[76] Inventor: **Joseph C. Bancroft**, 134 Harmony La., McComb, Miss. 39648

[\*\*] Term: **14 Years**

[21] Appl. No.: **940,819**

[22] Filed: **Sep. 8, 1992**

[52] U.S. Cl. .... **D25/124; D25/60**

[58] Field of Search ..... **49/DIG. 2, 504; D25/60, D25/124**

[56] **References Cited**

**U.S. PATENT DOCUMENTS**

D. 162,844	4/1951	Klein	.....	D25/60
D. 296,134	6/1988	Meshulam	.....	D25/124
D. 335,713	5/1993	Slocomb	.....	D25/124
D. 335,714	5/1993	Slocomb	.....	D25/124
D. 335,932	5/1993	Cole	.....	D25/124
4,614,062	9/1986	Sperr	.....	49/504

*Primary Examiner*—A. Hugo Word  
*Assistant Examiner*—Doris Clark  
*Attorney, Agent, or Firm*—MacDonald J. Wiggins

[57] **CLAIM**

The ornamental design for a frame sill jamb, as shown and described.

**DESCRIPTION**

FIG. 1 is a fragmentary top perspective view of the frame sill jamb showing my design;  
FIG. 2 is a top plan view thereof broken away to indicate indeterminate length;  
FIG. 3 is a bottom plan view thereof broken away to indicate indeterminate length;  
FIG. 4 is a front elevational view thereof in which the rear elevational view is a mirror image of the front view;  
FIG. 5 a right elevational view thereof broken away to indicate indeterminate lengths; and,  
FIG. 6 is a left elevational view thereof broken away to indicate indeterminate length.

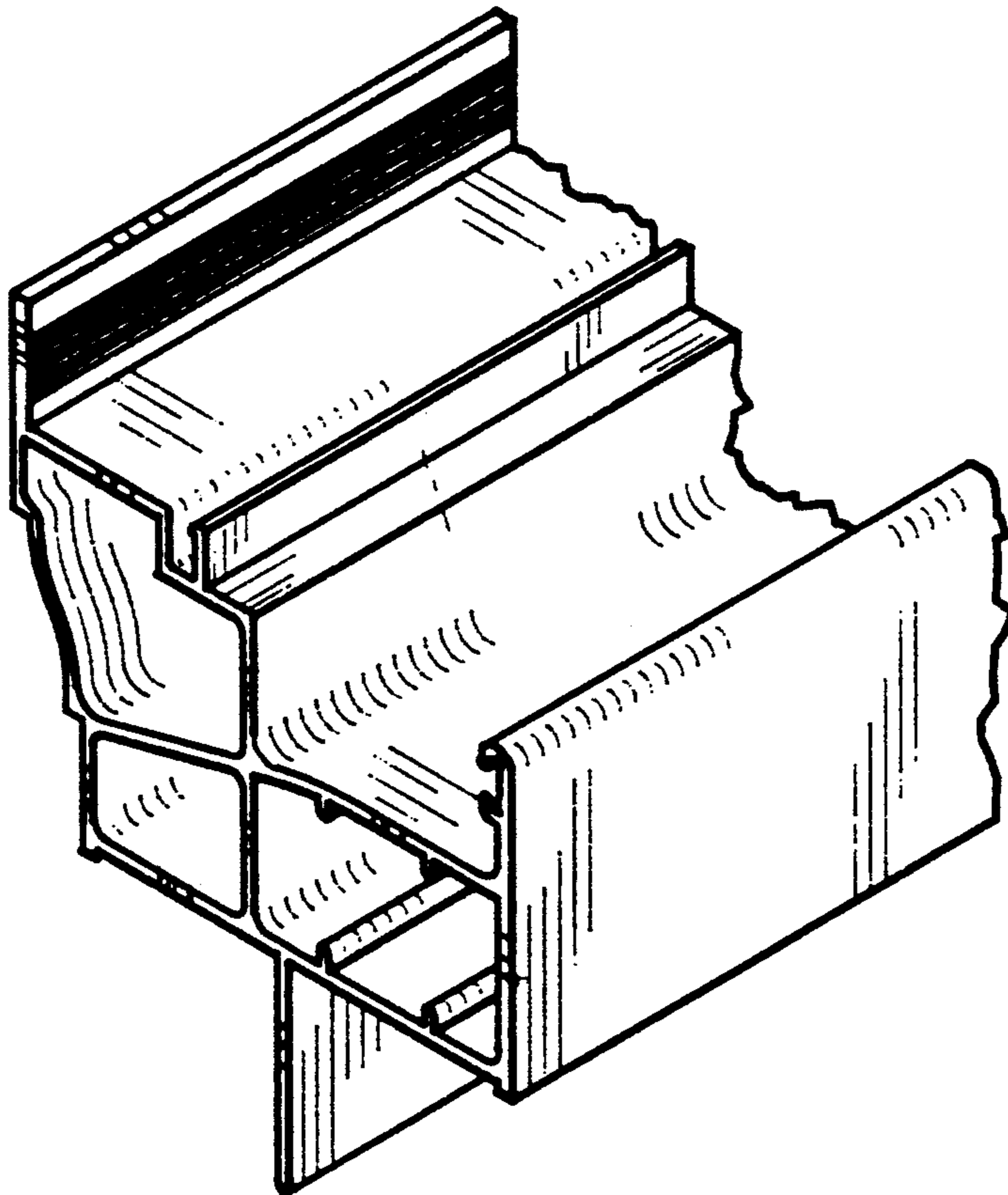


FIG. 1

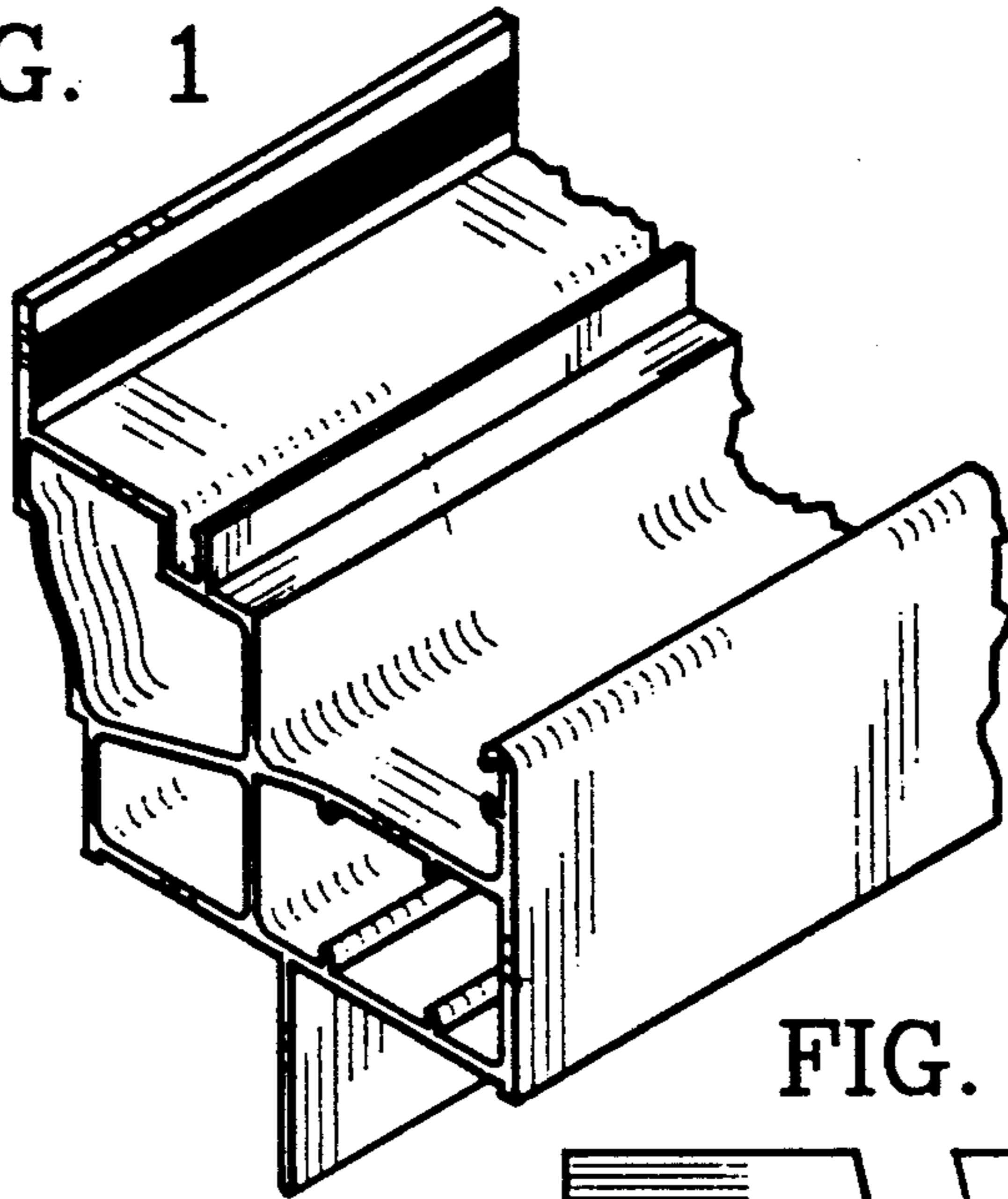


FIG. 2

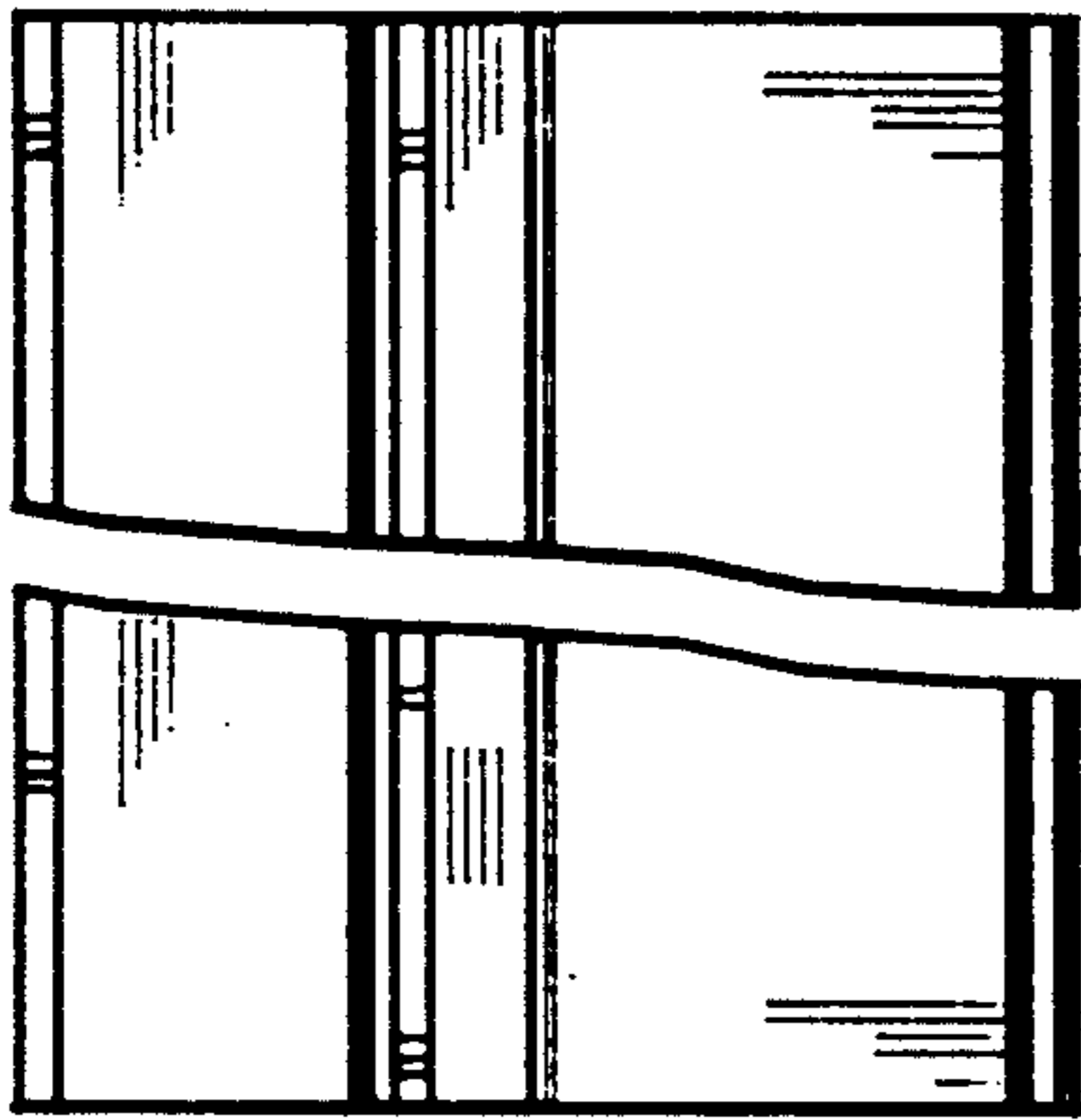


FIG. 3

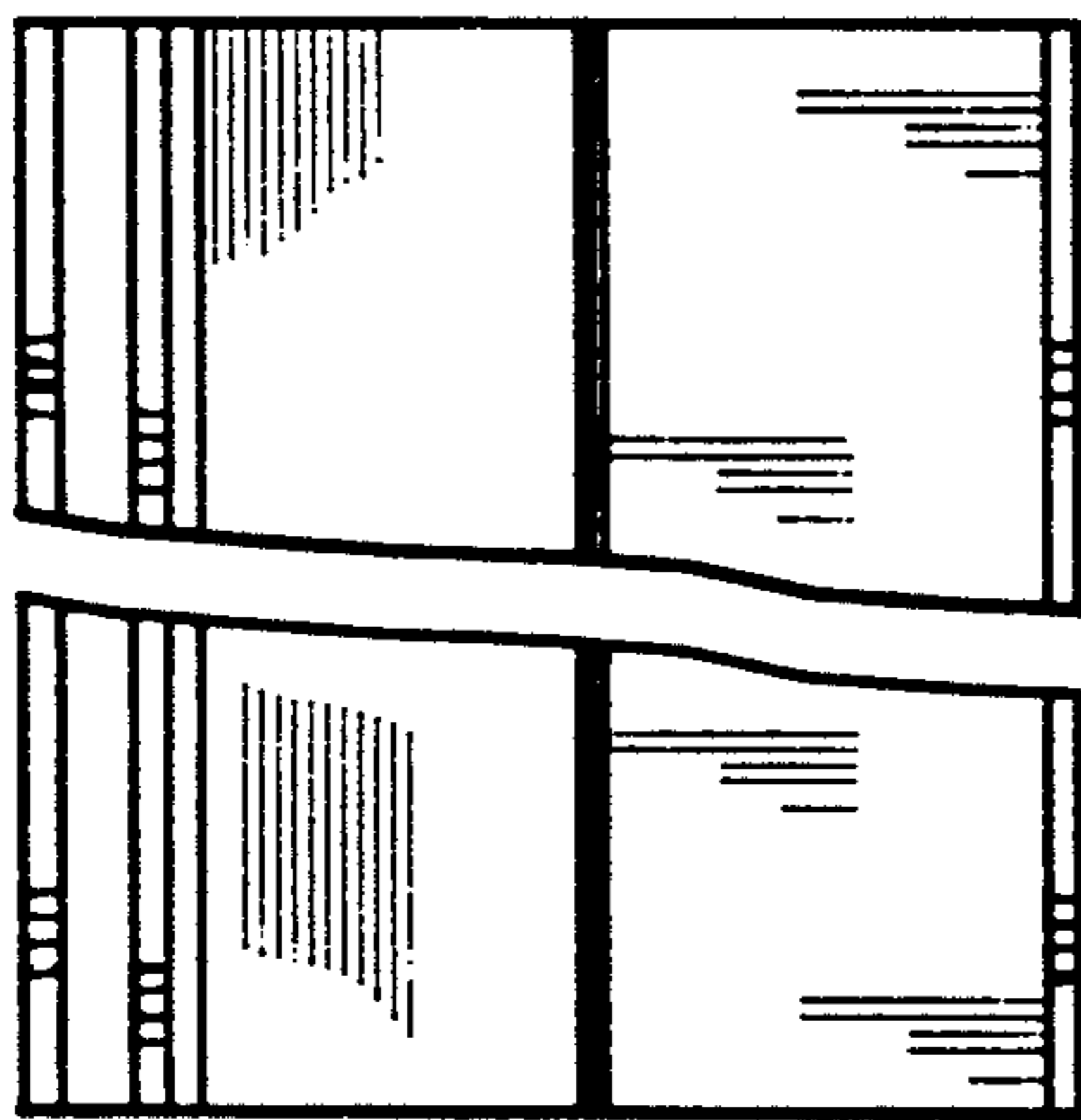


FIG. 4

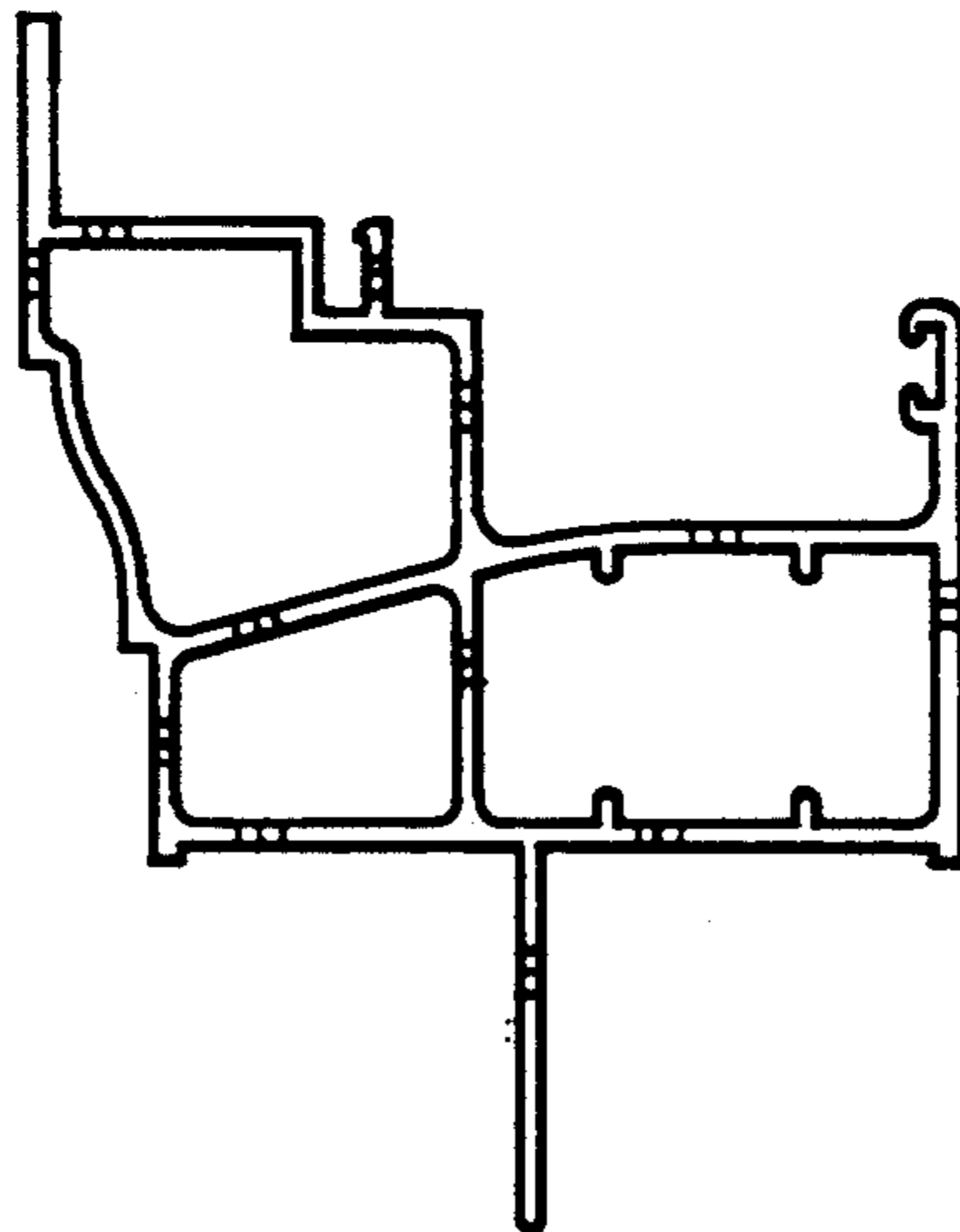


FIG. 5

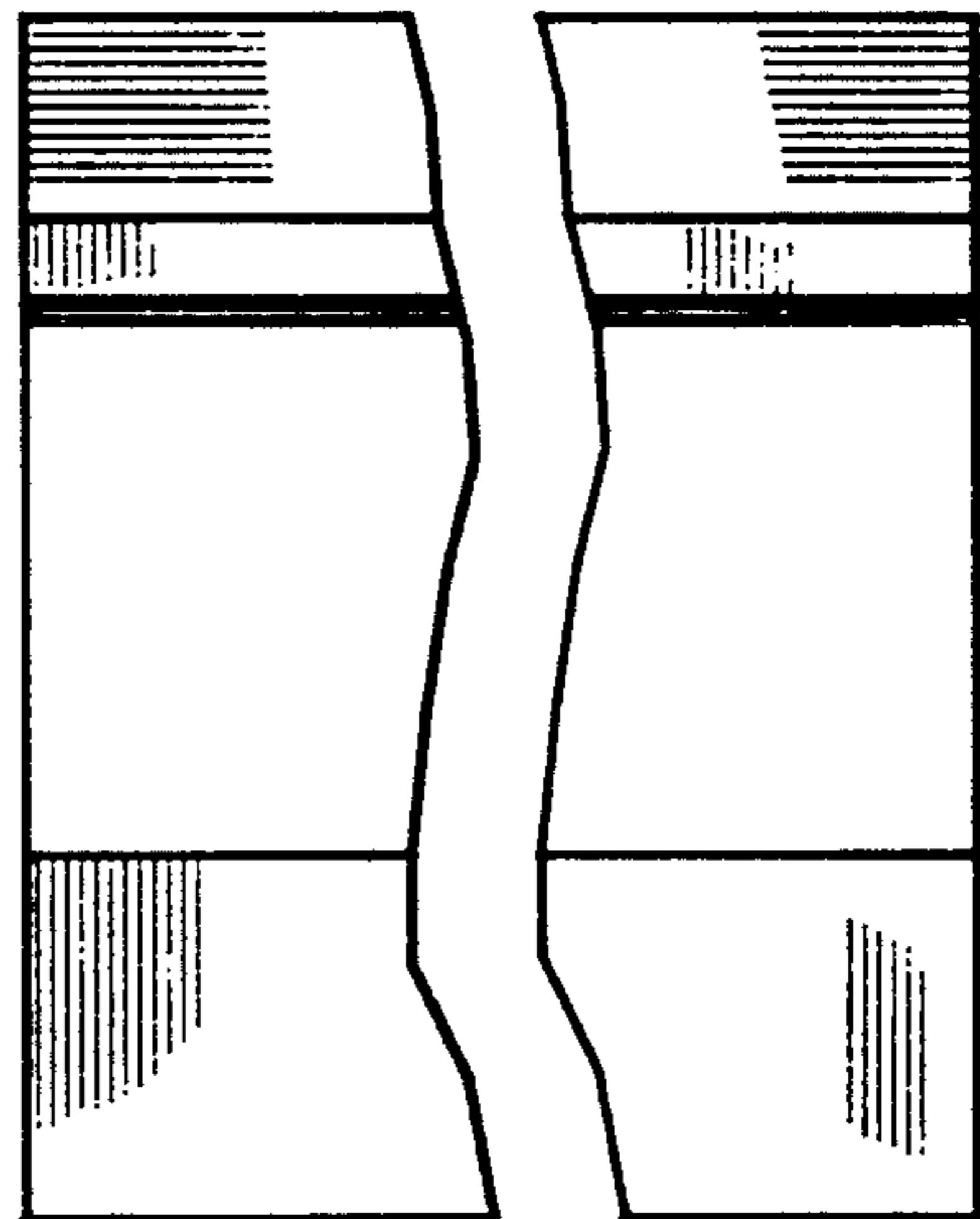


FIG. 6

