



US00D344589S

United States Patent [19]

[11] Patent Number: **Des. 344,589**

Kilbey

[45] Date of Patent: **** Feb. 22, 1994**

[54] **LOWER LEG BRACE WITH ORTHOPEDIC SOLE**

4,771,768	9/1988	Crispin	602/16
5,058,574	10/1991	Anderson et al.	602/16
5,078,128	1/1992	Grim et al.	602/23
5,092,321	3/1992	Spademan	602/16 X

[75] Inventor: **Bryan Kilbey, DeFuniak Springs, Fla.**

*Primary Examiner—Stella Reid
Attorney, Agent, or Firm—George A. Bode*

[73] Assignee: **Professional Products, Inc., DeFuniak Springs, Fla.**

[57] **CLAIM**

[**] Term: **14 Years**

The ornamental design for a lower leg brace with orthopedic sole, as shown.

[21] Appl. No.: **698,053**

DESCRIPTION

[22] Filed: **May 10, 1991**

[52] U.S. Cl. **D24/192**

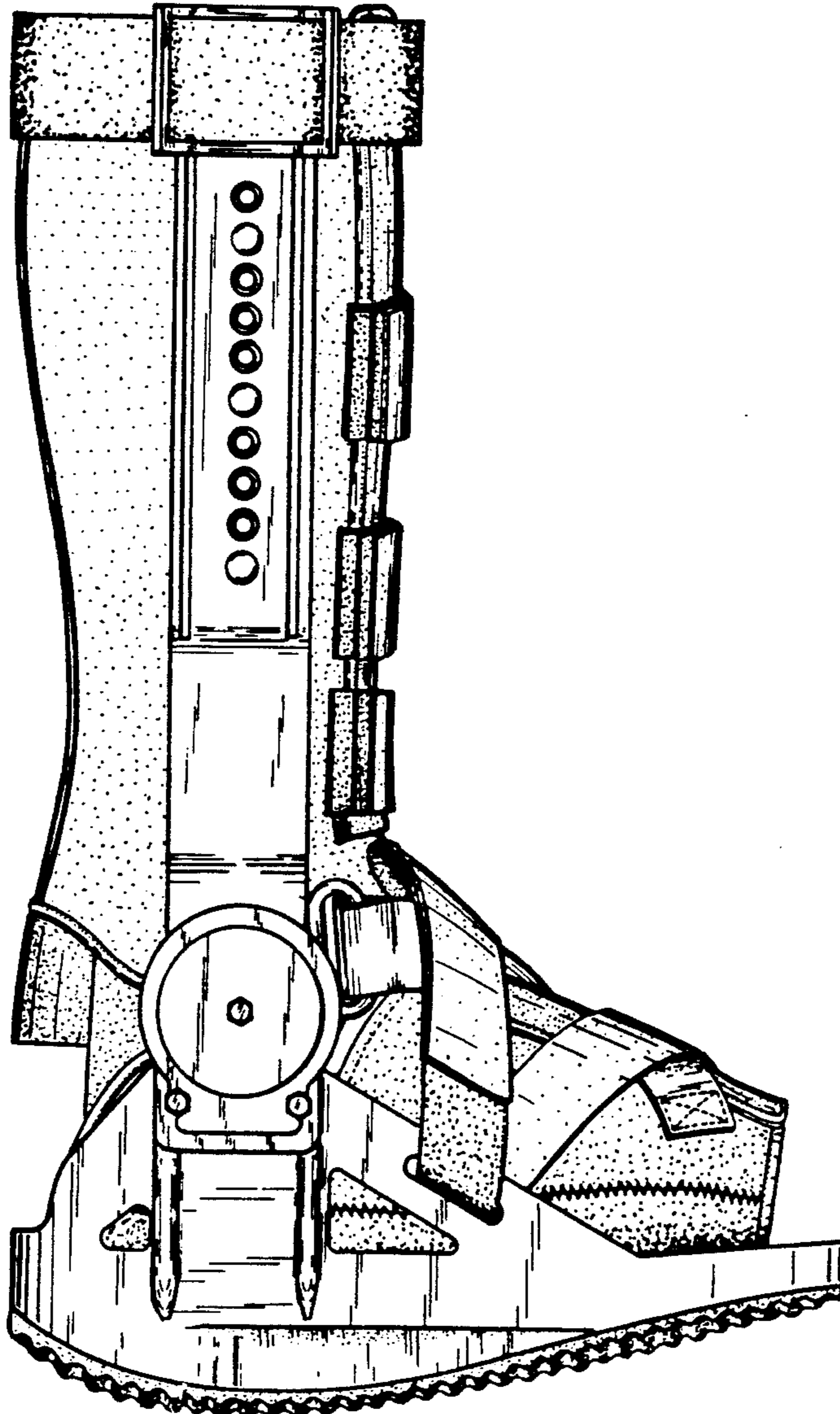
[58] Field of Search **602/5, 6, 16, 23, 28, 602/27; D24/190, 192**

FIG. 1 is a right side elevational view of a lower leg brace with orthopedic sole showing my new design; FIG. 2 is a front elevational view thereof; FIG. 3 is a left side elevational view thereof; FIG. 4 is a rear elevational view thereof; FIG. 5 is a top plan view thereof; and, FIG. 6 is a bottom plan view thereof.

[56] **References Cited**

U.S. PATENT DOCUMENTS

4,572,169 2/1986 Mauldin et al. 602/27



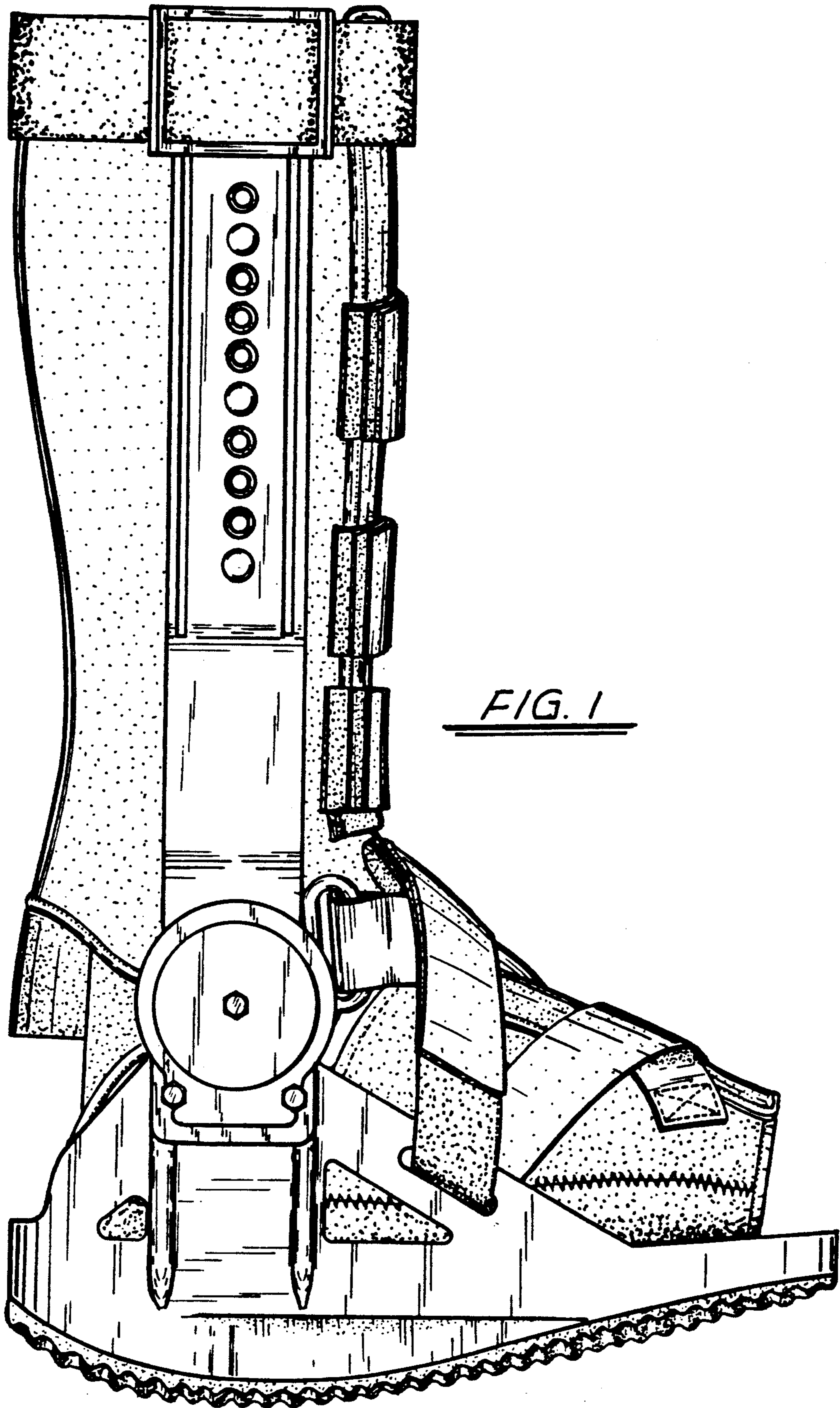


FIG. 1

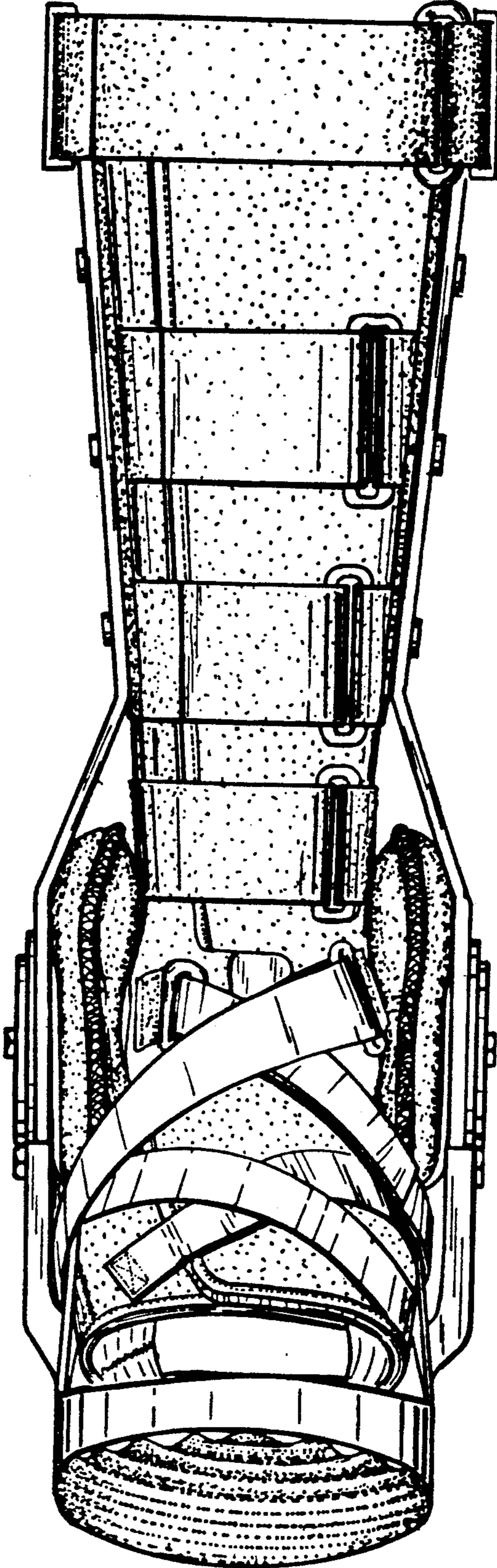


FIG. 2

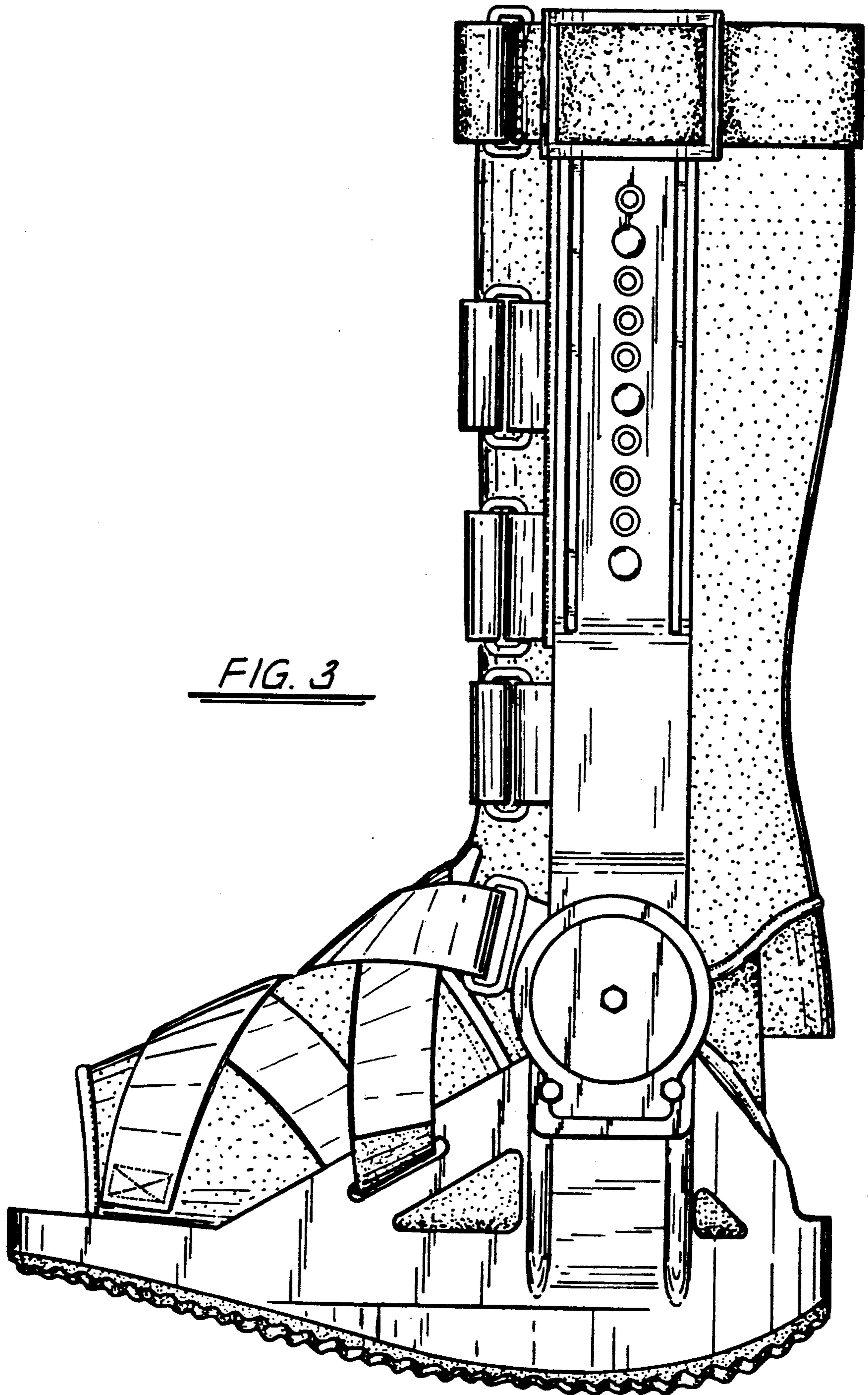


FIG. 3

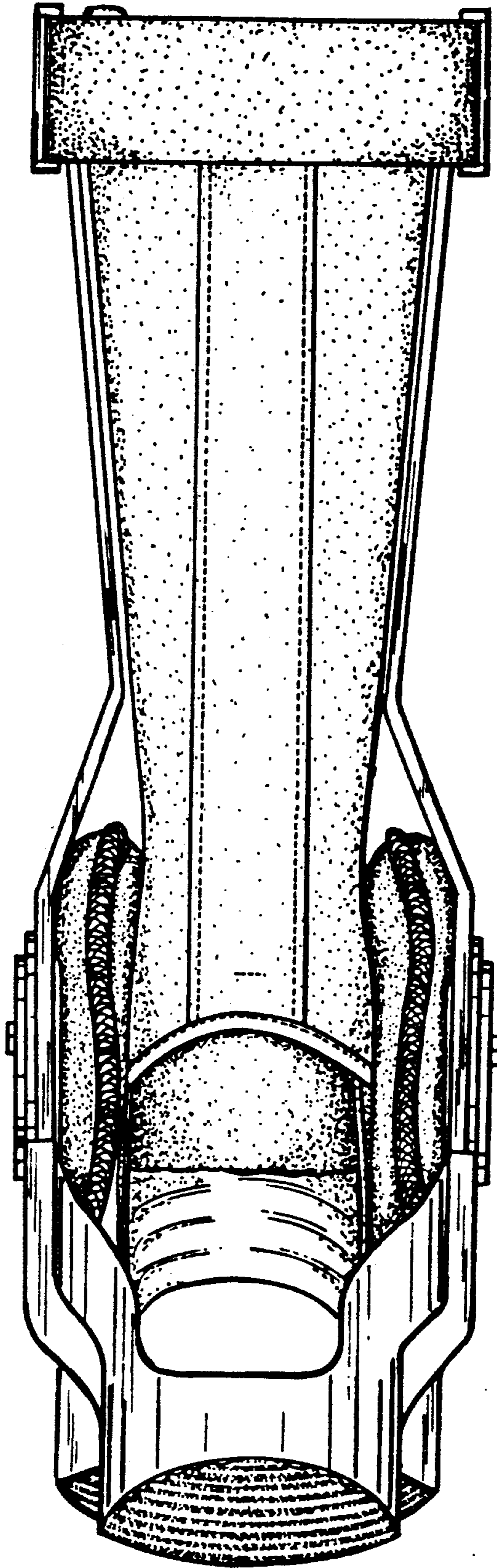


FIG. 4

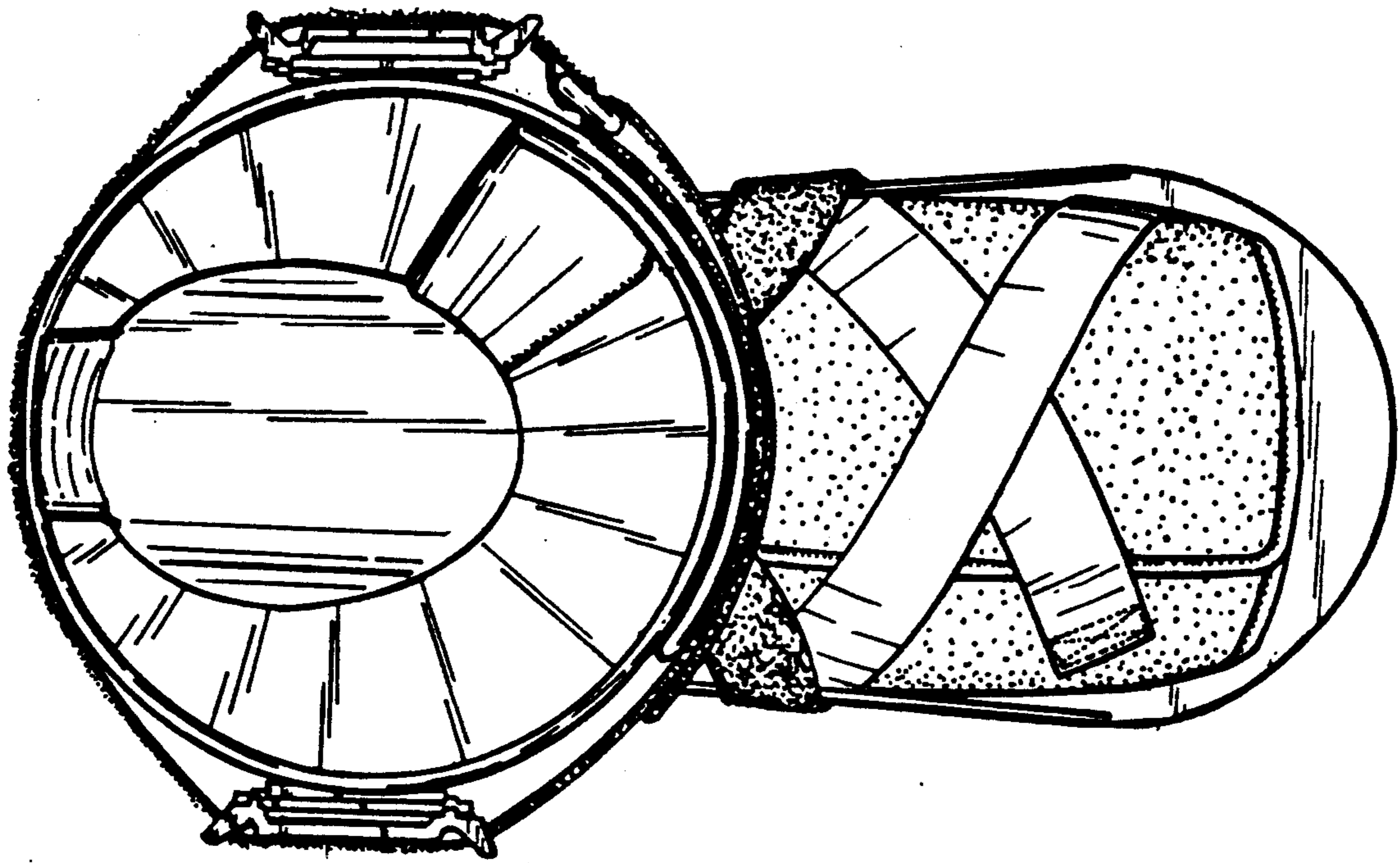


FIG. 5

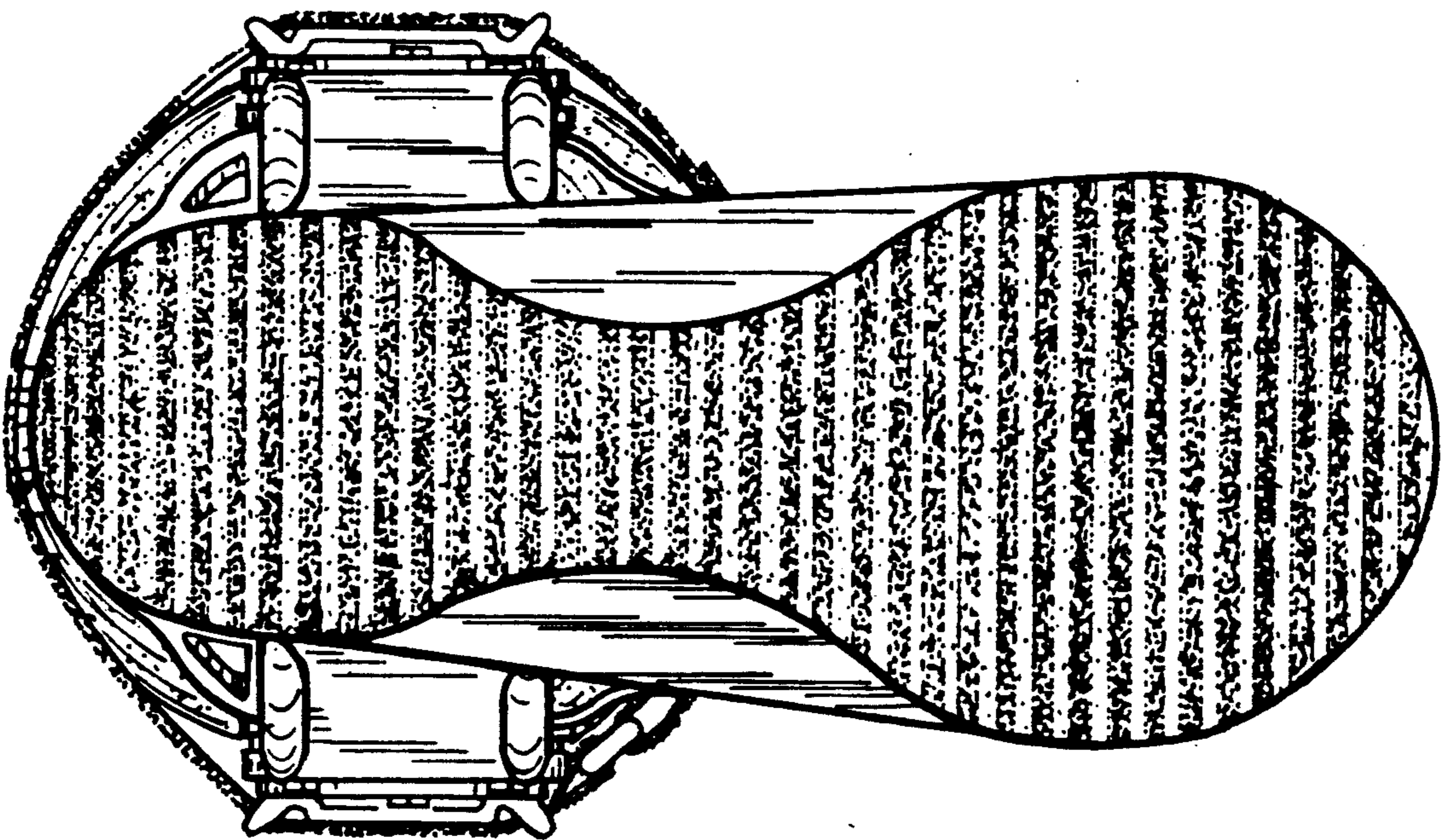


FIG. 6