



US00D344584S

United States Patent [19] Carney

[11] Patent Number: **Des. 344,584**

[45] Date of Patent: **** Feb. 22, 1994**

[54] **FIREWOOD CARRIER**

[76] Inventor: **Greg R. Carney, 14 Deepwood Ave., Bella Vista, Ark. 72714**

[**] Term: **14 Years**

[21] Appl. No.: **844,399**

[22] Filed: **Mar. 2, 1992**

[52] U.S. Cl. **D23/410; D6/475; D34/19**

[58] Field of Search **126/283; D6/466, 475, D6/416; D23/410; D34/19, 23**

[56] **References Cited**

U.S. PATENT DOCUMENTS

D. 71,098 9/1926 **Banner et al.** **D23/409**
D. 234,489 3/1975 **Shaw** **D23/410**

OTHER PUBLICATIONS

Liberty Foundry Co. Cat., p. 8, Firewood Carrier (A), top, middle of page.

Primary Examiner—Wallace R. Burke
Assistant Examiner—Lisa Lichtenstein
Attorney, Agent, or Firm—Boyd D. Cox

[57] **CLAIM**

The ornamental design for a firewood carrier, as shown.

DESCRIPTION

FIG. 1 is a front, top perspective view of the firewood carrier of the present invention;

FIG. 2 is a rear, bottom perspective view of the firewood carrier of FIG. 1;

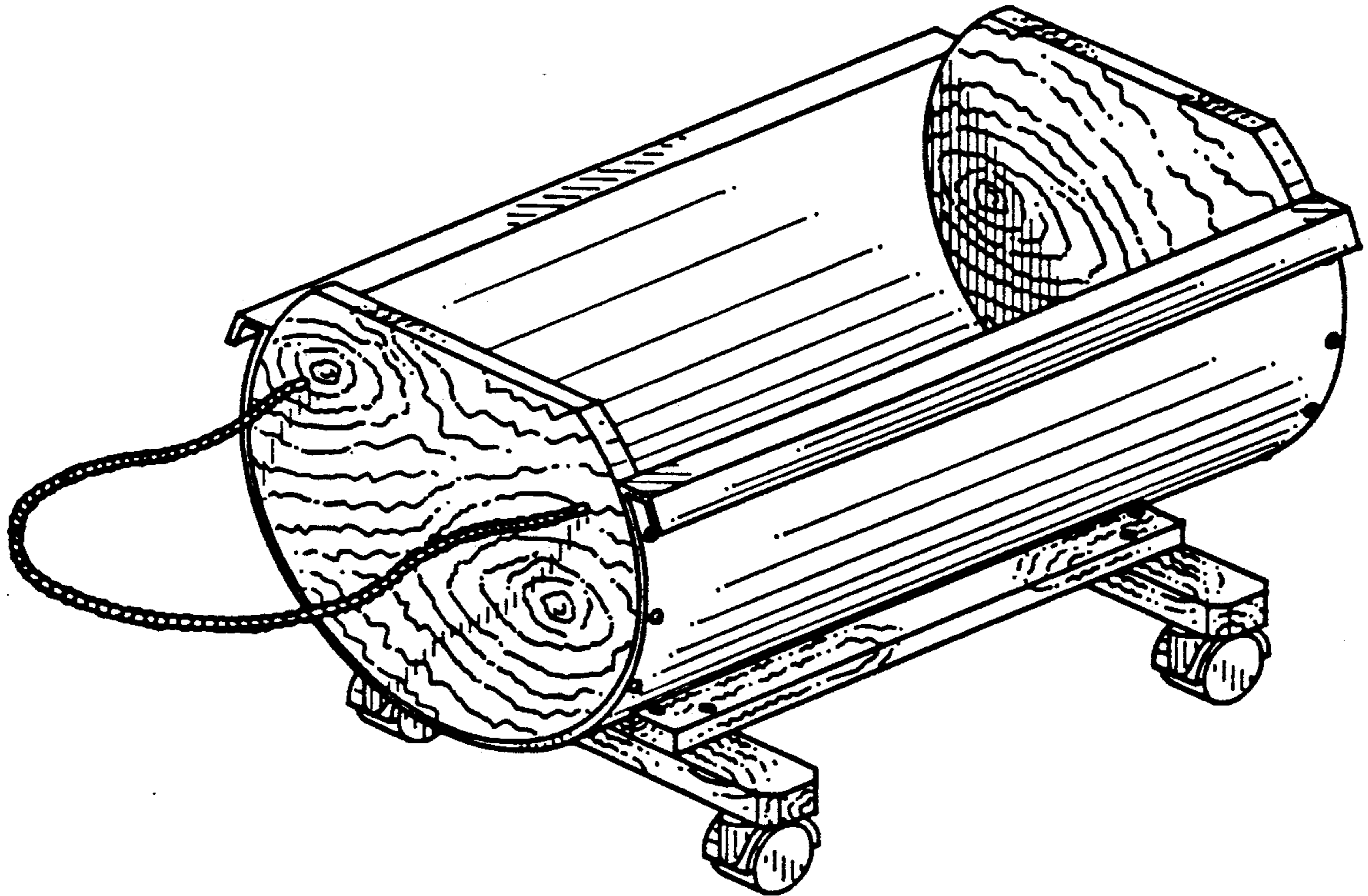
FIG. 3 is a front view in elevation of the firewood carrier of FIG. 1;

FIG. 4 is a rear view in elevation of the firewood carrier of FIG. 1;

FIG. 5 is a side view in elevation of the firewood carrier of FIG. 1 as seen from the right-hand side of FIG. 1;

FIG. 6 is a top plan view of the firewood carrier of FIG. 1; and,

FIG. 7 is a bottom plan view of the firewood carrier of FIG. 1.



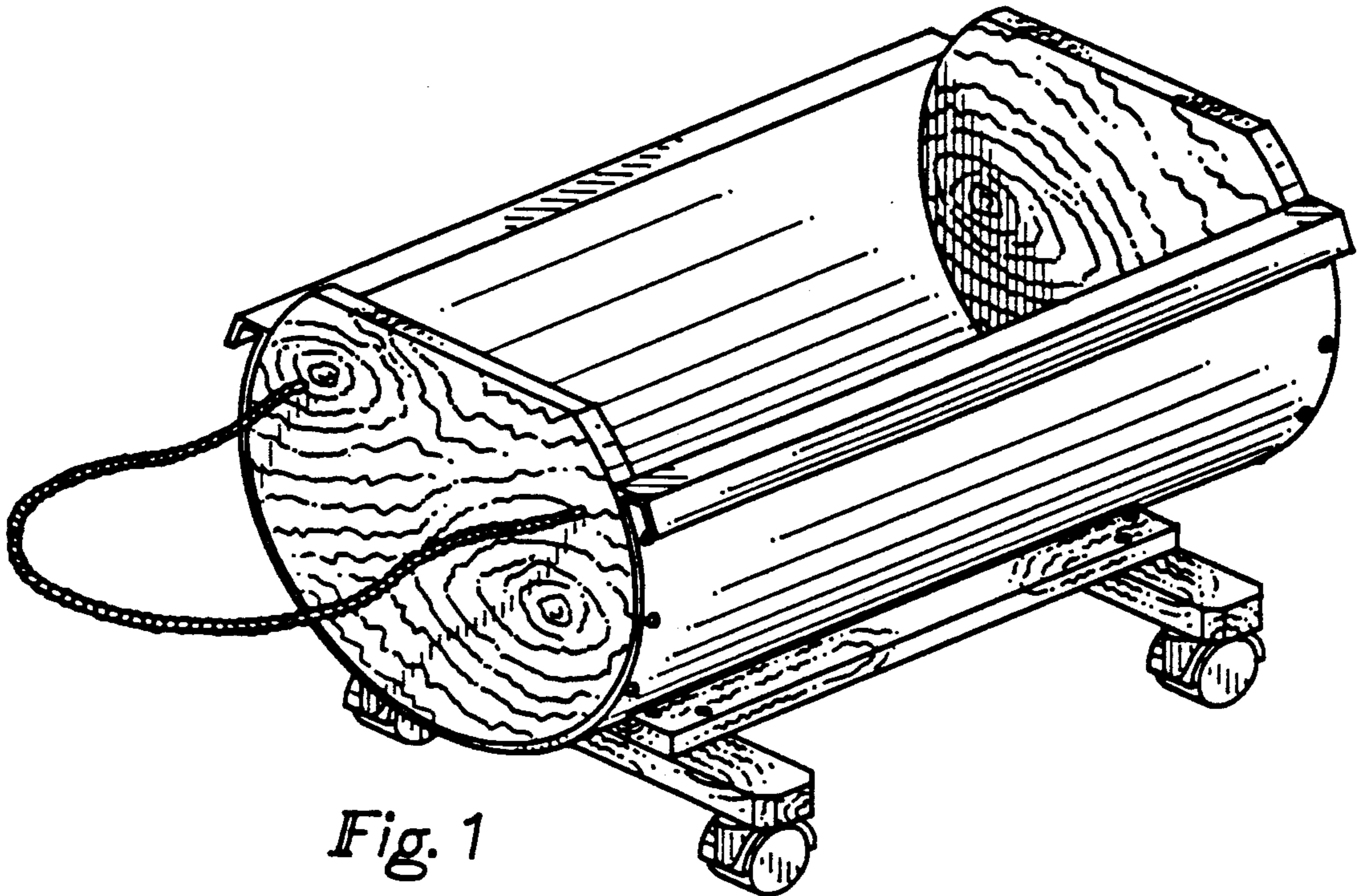


Fig. 1

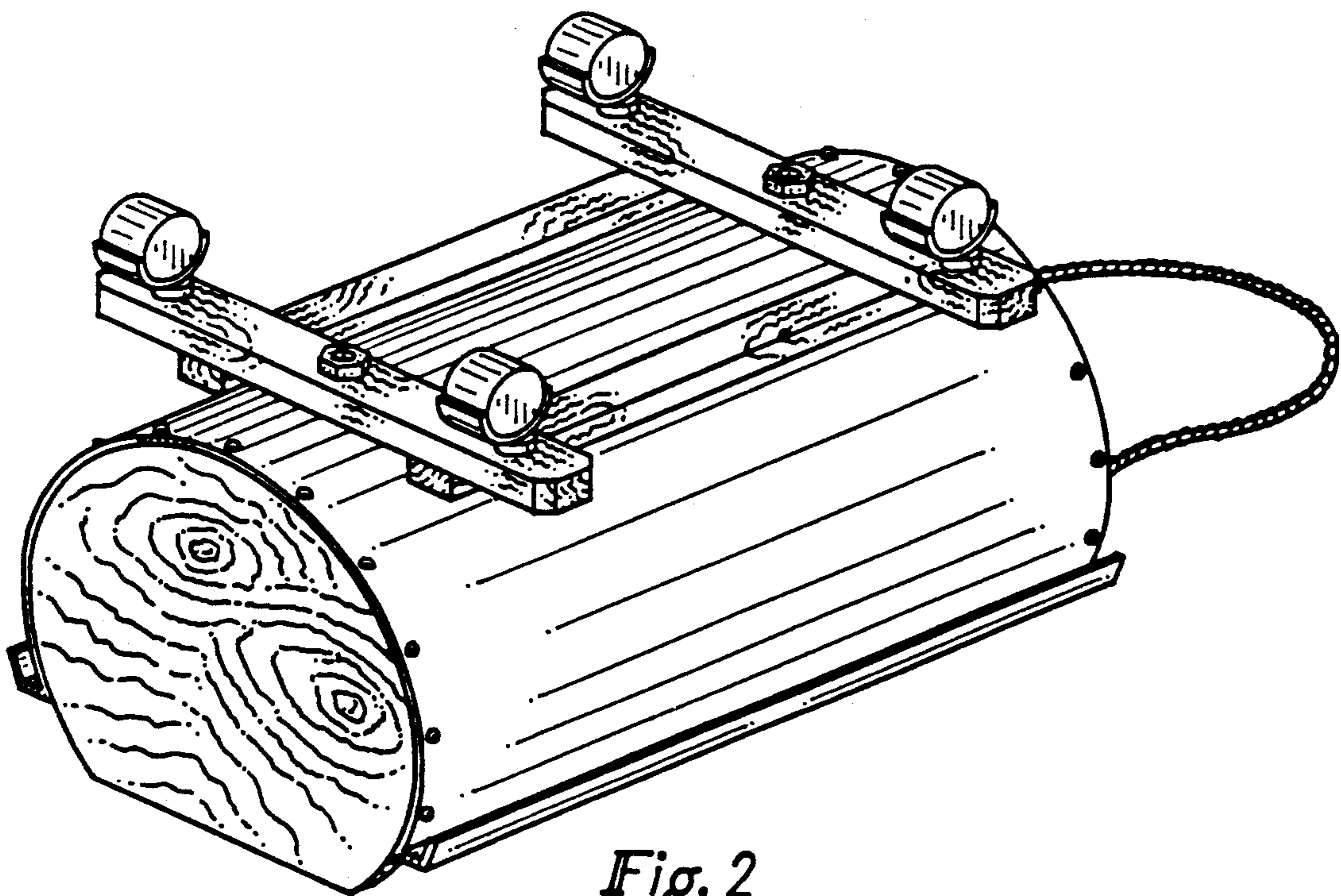


Fig. 2

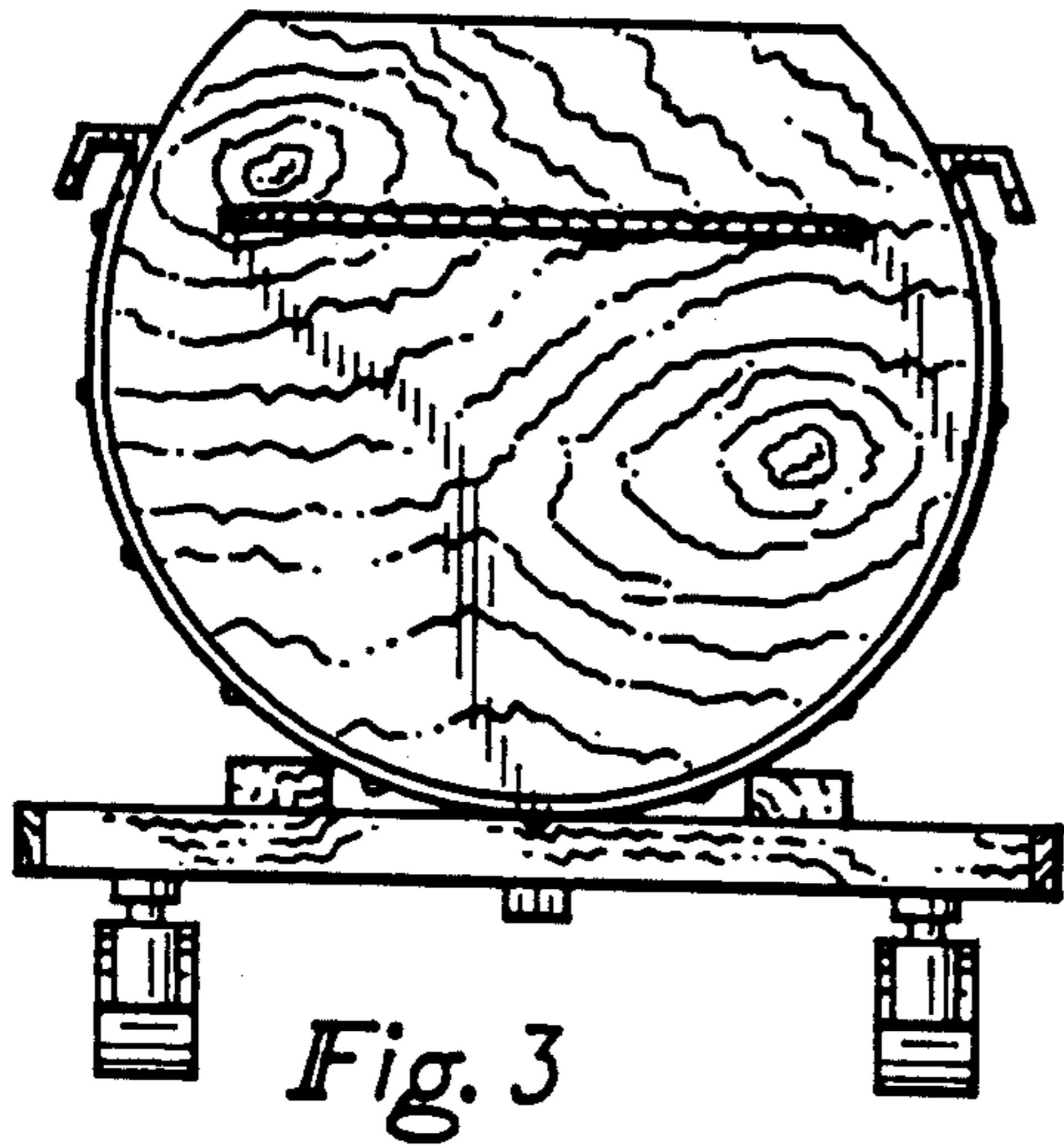


Fig. 3

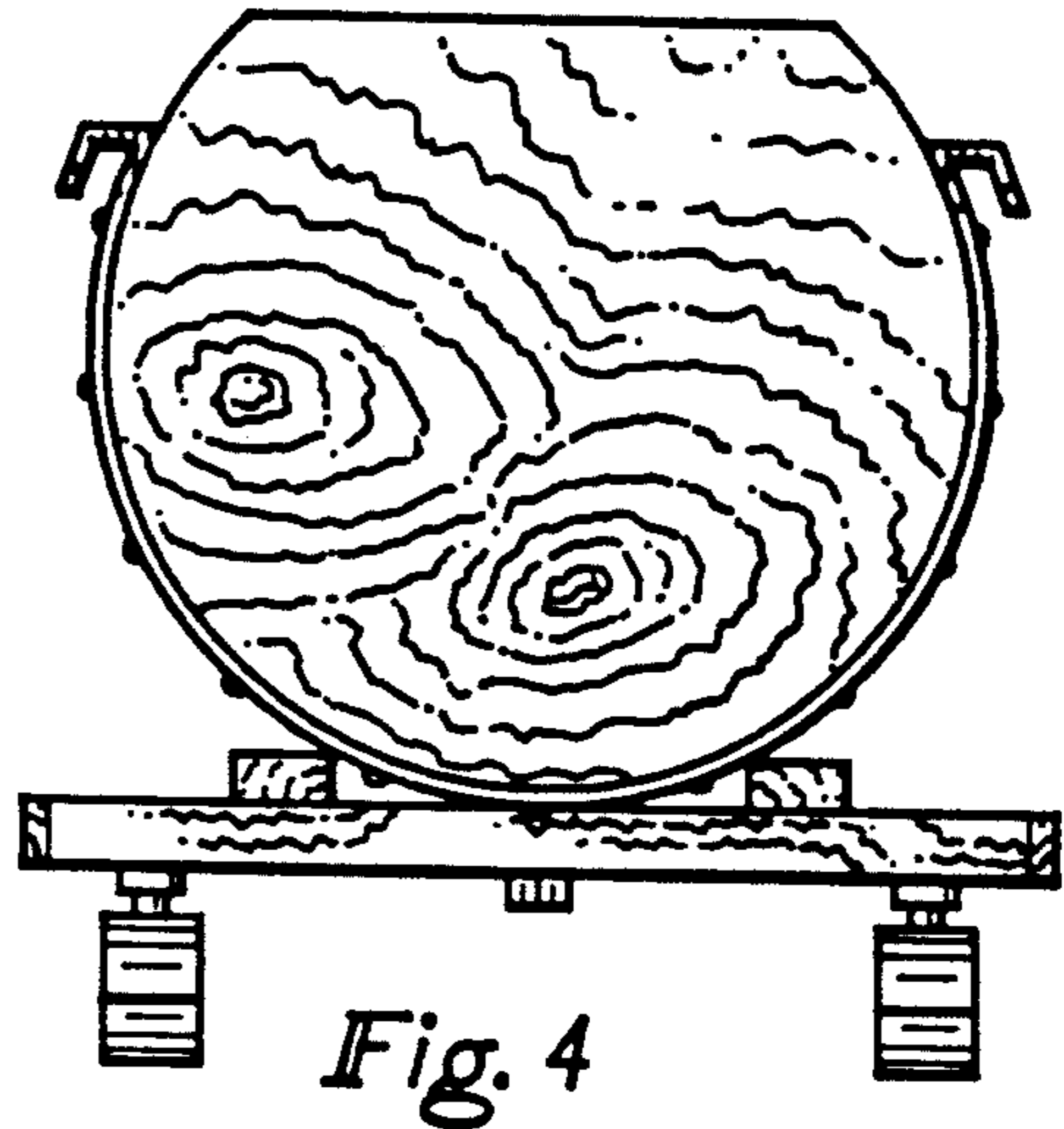


Fig. 4

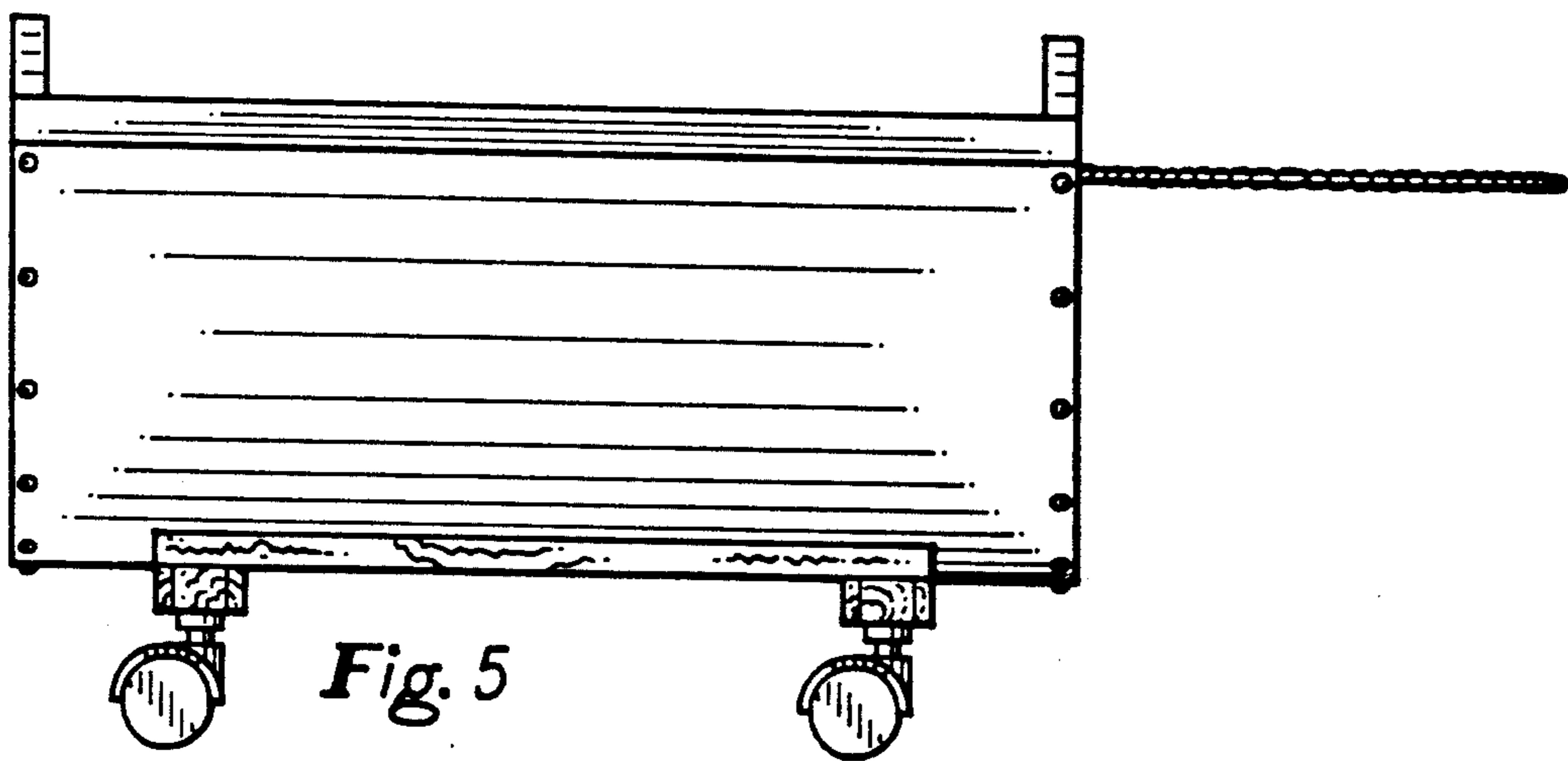


Fig. 5

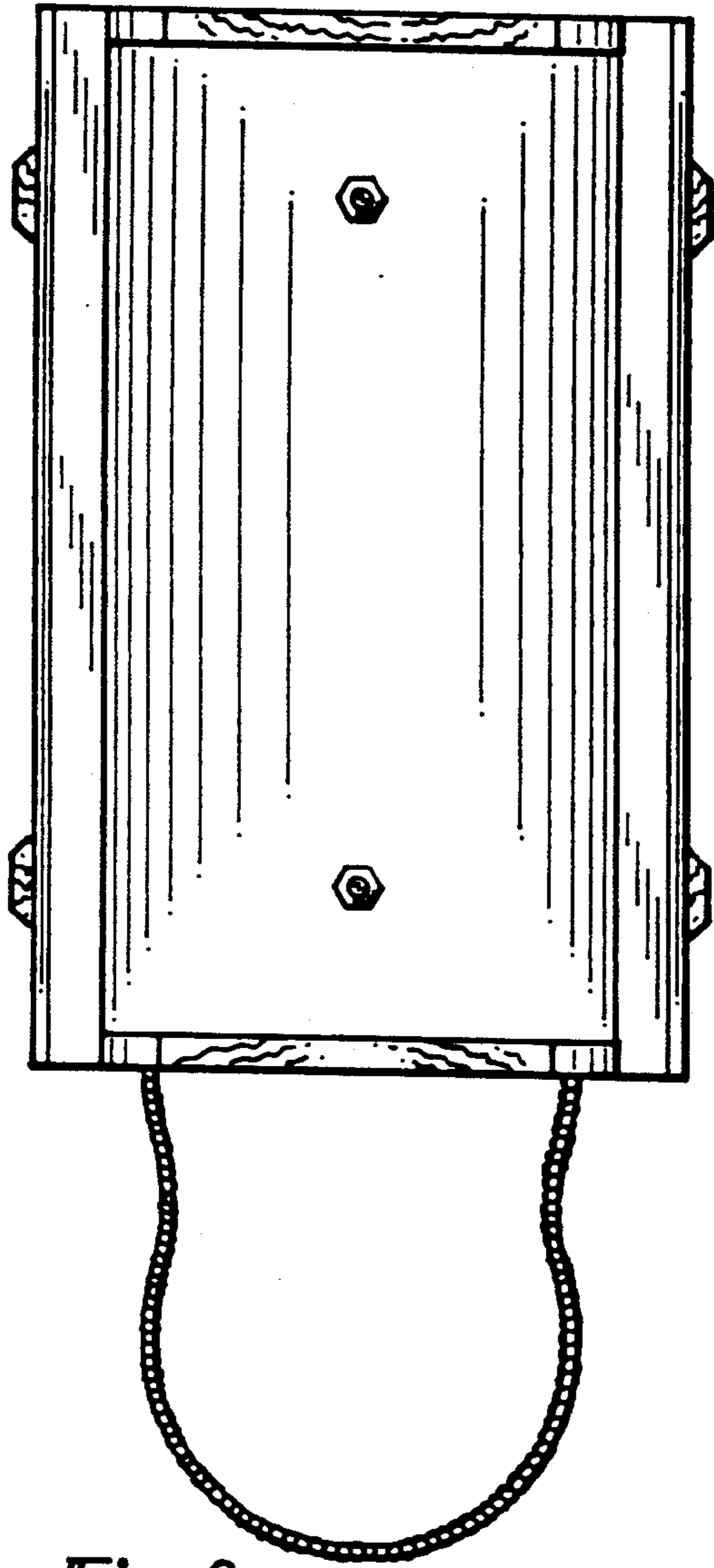


Fig. 6

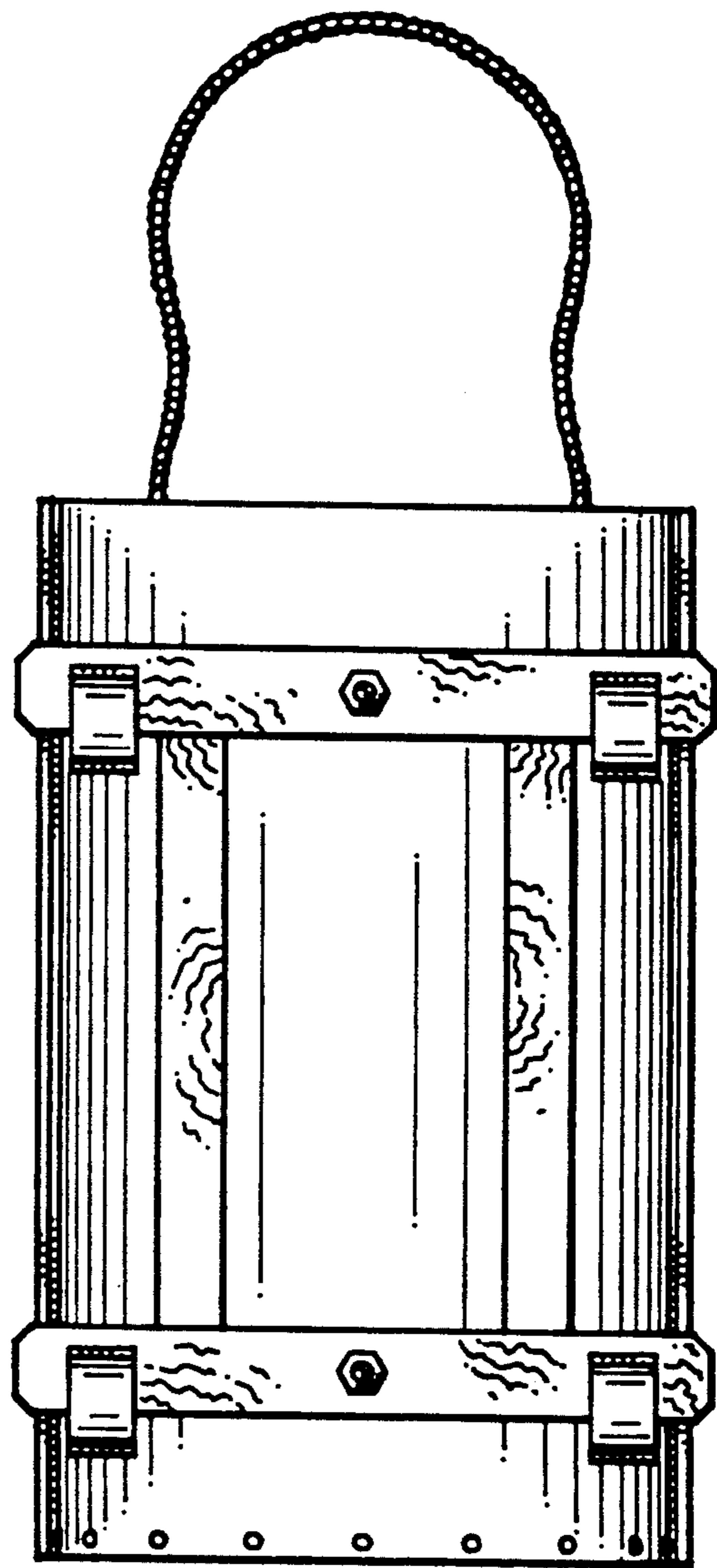


Fig. 7