



US00D344575S

# United States Patent [19]

[11] Patent Number: **Des. 344,575**

Hill et al.

[45] Date of Patent: **\*\* Feb. 22, 1994**

[54] **FAUCET SPOUT**

[75] Inventors: **Loran R. Hill, Indianapolis; Anthony G. Spangler, Sheridan, both of Ind.**

[73] Assignee: **Masco Corporation of Indiana, Indianapolis, Ind.**

[\*\*] Term: **14 Years**

[21] Appl. No.: **692,025**

[22] Filed: **Apr. 26, 1991**

[52] U.S. Cl. .... **D23/255**

[58] Field of Search ..... **4/676, 677, 678; 137/375, 801; D23/238-243, 255-257**

[56] **References Cited**

**U.S. PATENT DOCUMENTS**

D. 191,295	9/1961	Chapman	.....	D23/238
D. 202,095	8/1965	Kelly	.....	D23/255
D. 278,270	4/1985	Niemann	.....	D23/255
D. 279,598	7/1985	Rademacher	.....	D23/255
D. 295,663	5/1988	Kohler, Jr. et al.	.....	D23/255
2,781,786	2/1957	Young	.....	137/375 X

3,590,876	7/1971	Young	.....	137/801
3,796,380	4/1974	Johnson et al.	.....	4/678 X
4,387,738	6/1983	Bisonaya	.....	4/678 X
4,884,596	12/1989	Byers et al.	.....	4/678 X
5,165,121	11/1992	McTargett et al.	.....	4/678

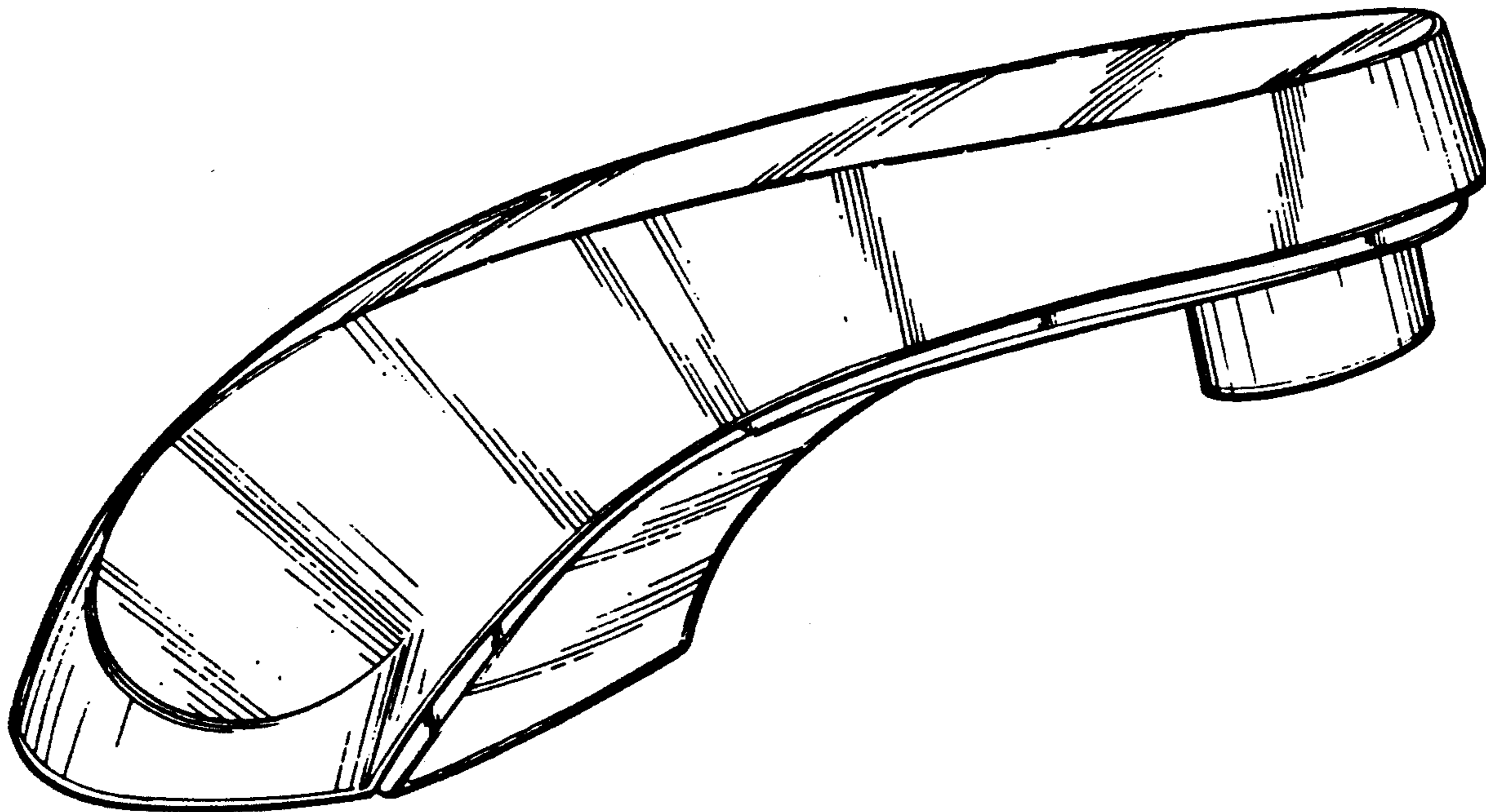
*Primary Examiner*—James R. Largen  
*Attorney, Agent, or Firm*—Myron B. Kapustij; Malcolm L. Sutherland

[57] **CLAIM**

The ornamental design for a faucet spout, as shown and described.

**DESCRIPTION**

FIG. 1 is a top perspective view of a faucet spout showing our new design;  
FIG. 2 is a left side elevational view thereof;  
FIG. 3 is a top plan view thereof;  
FIG. 4 is a right side elevational view thereof;  
FIG. 5 is a front elevational view thereof; and,  
FIG. 6 is a bottom plan view thereof.  
The broken line showing the threaded mounting shank in FIGS. 2, 4, 5 and 6 is for purposes of illustration only and forms no part of the claimed design.



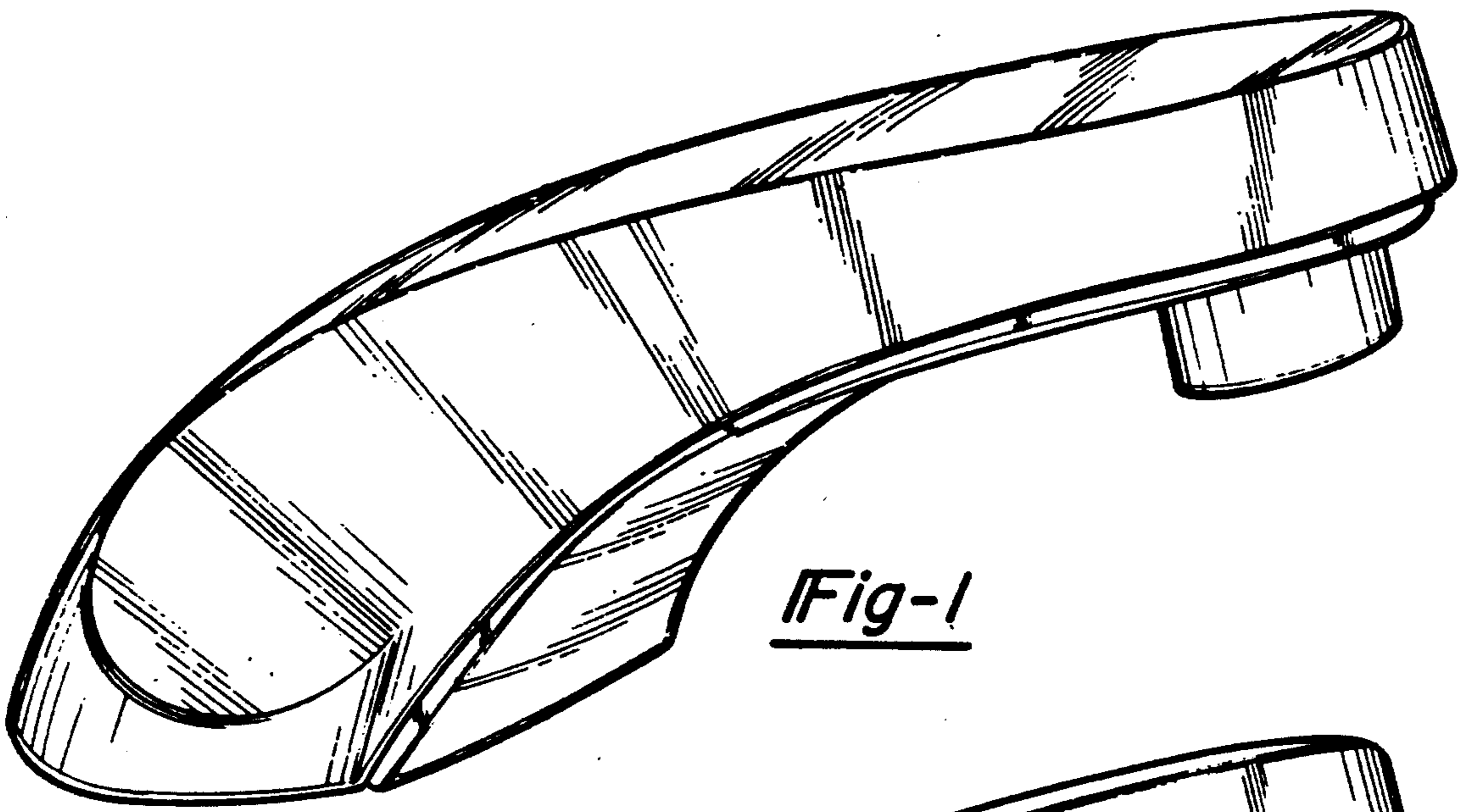


Fig-1

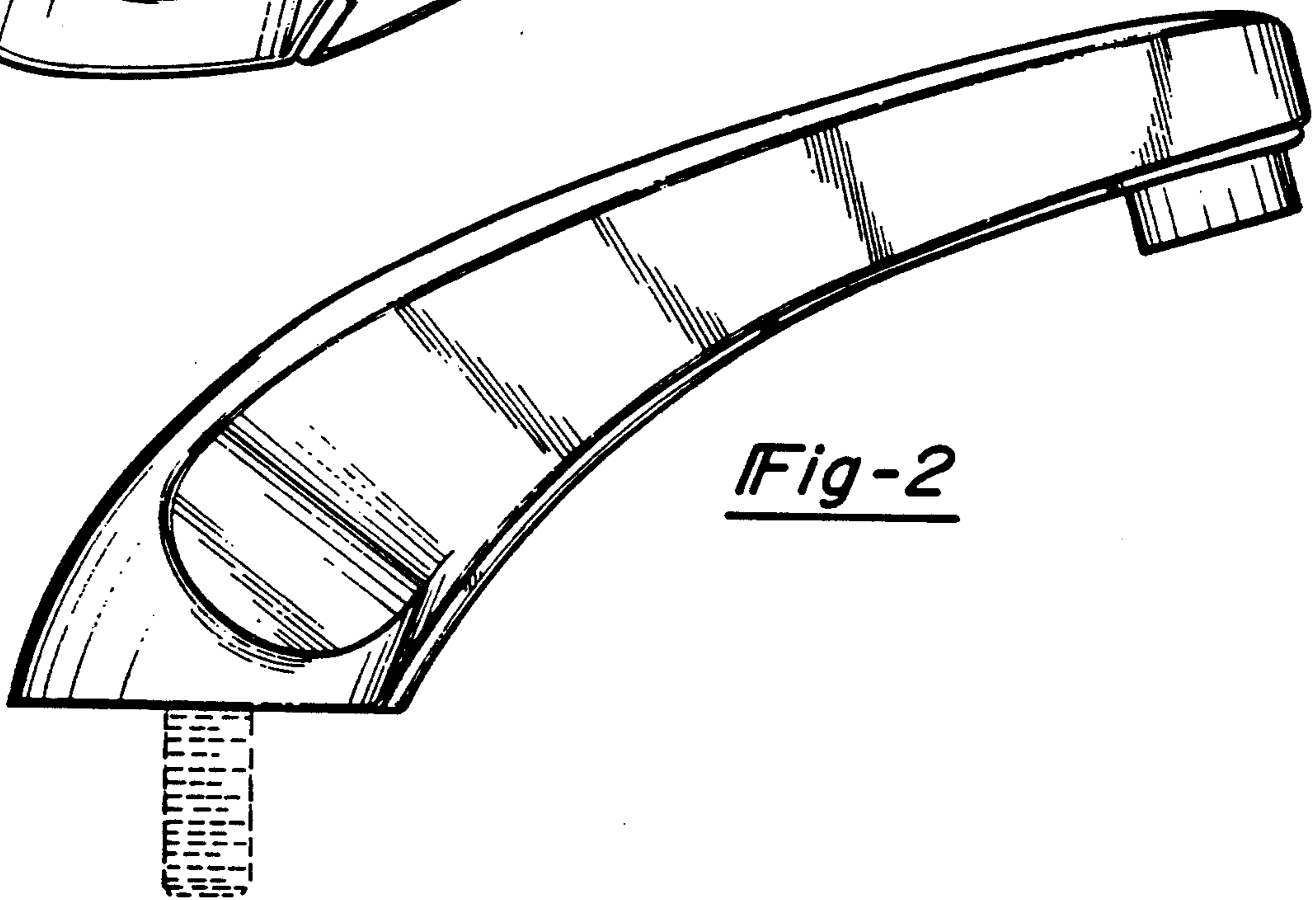


Fig-2

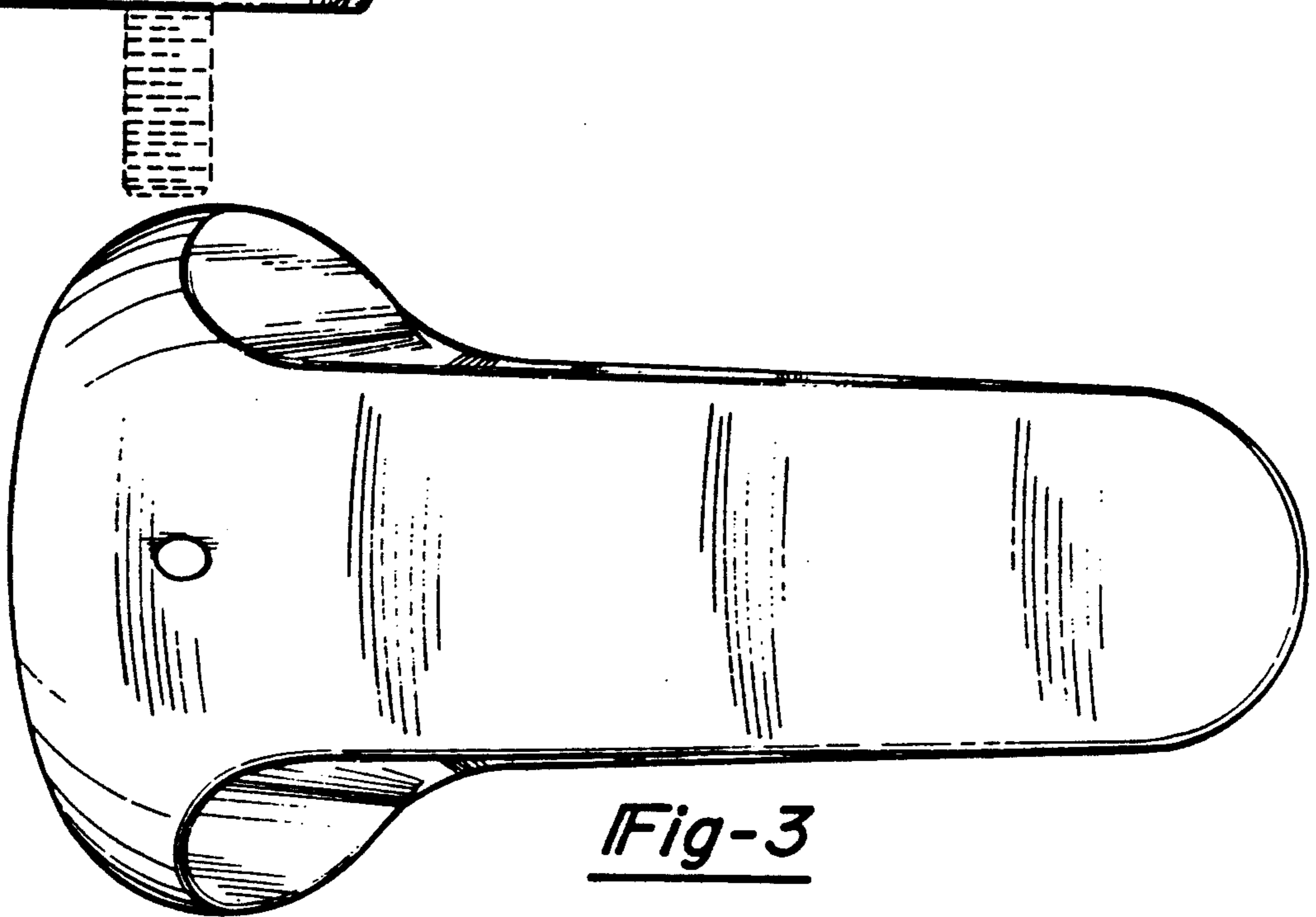


Fig-3

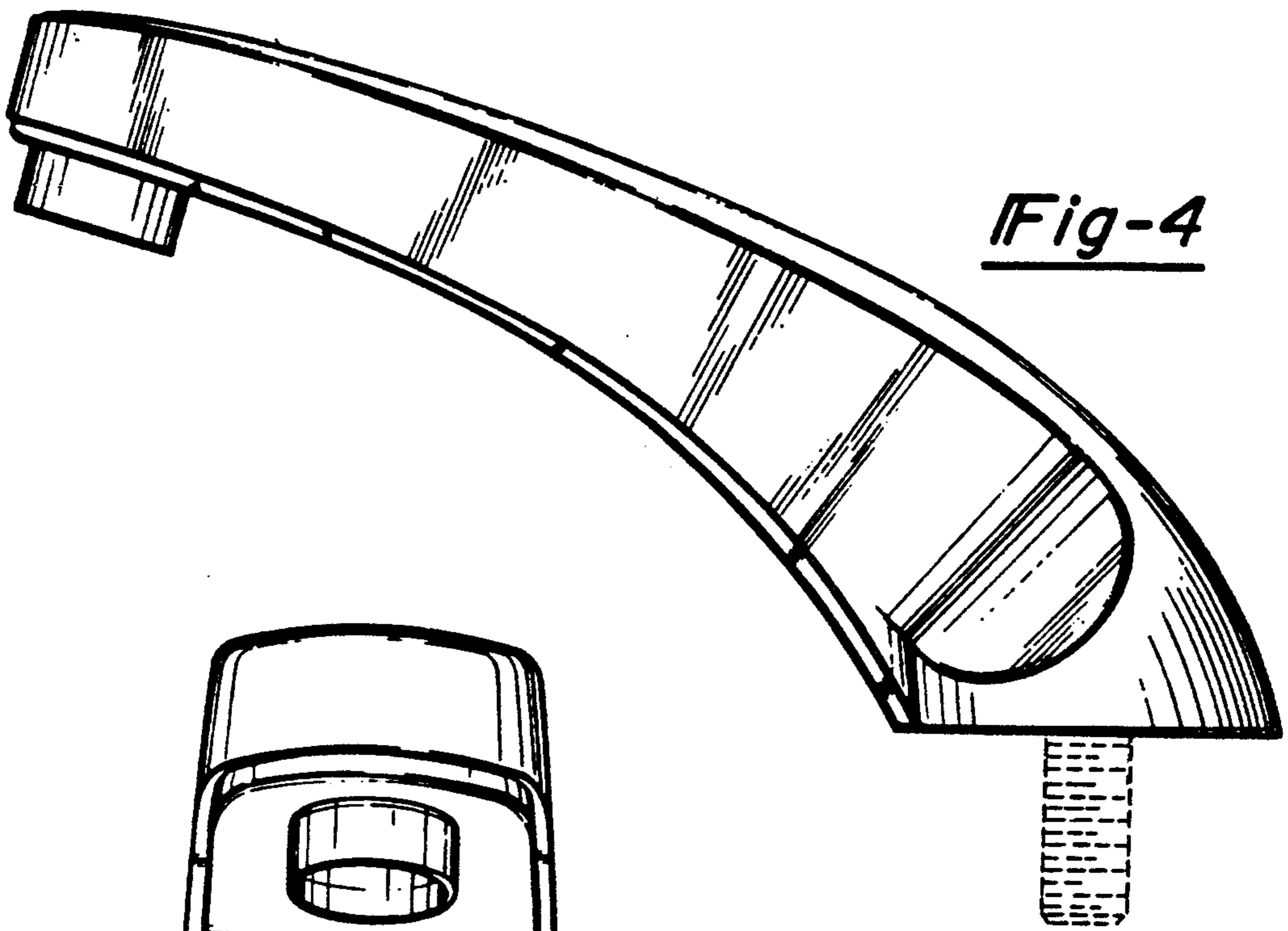


Fig-4

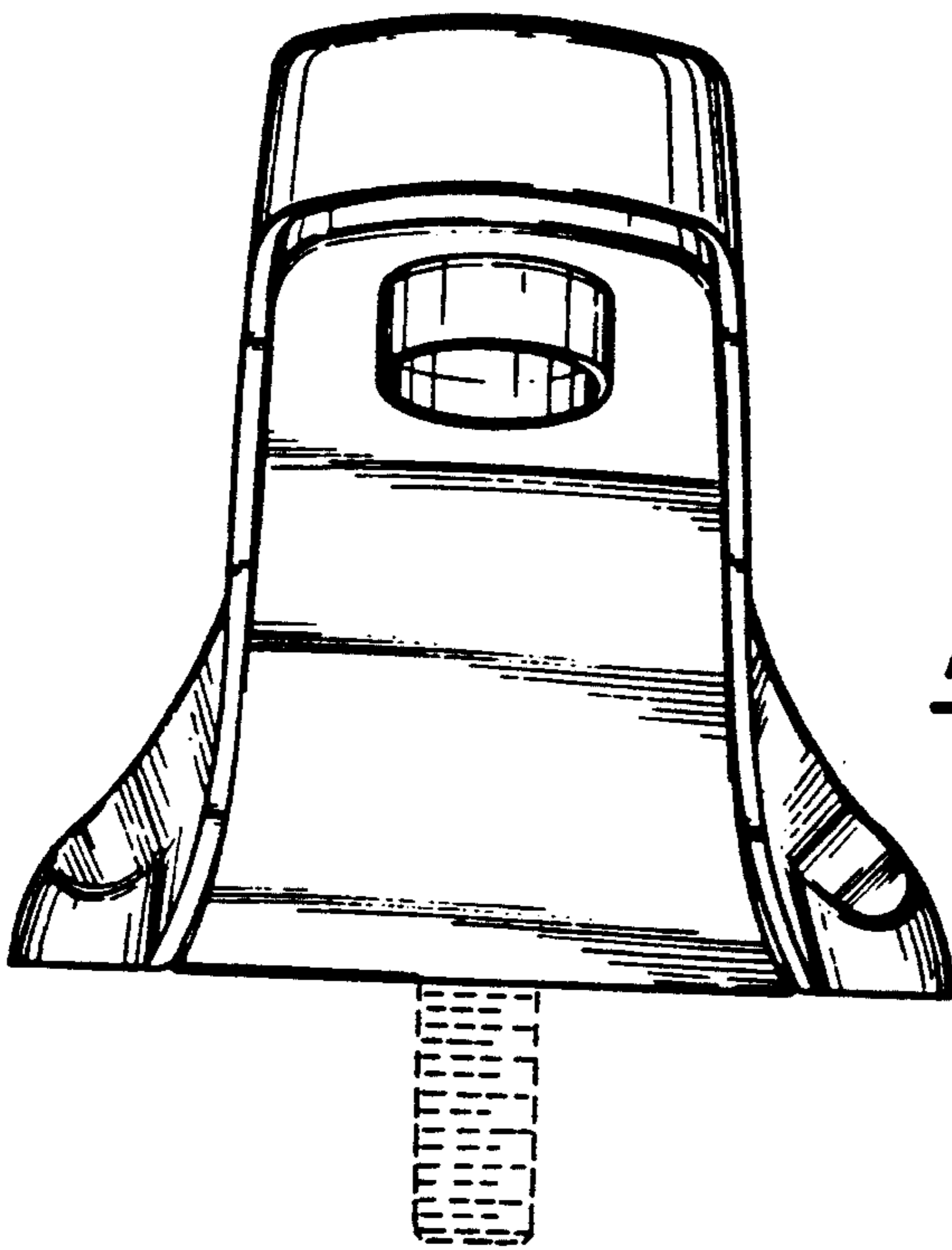


Fig-5

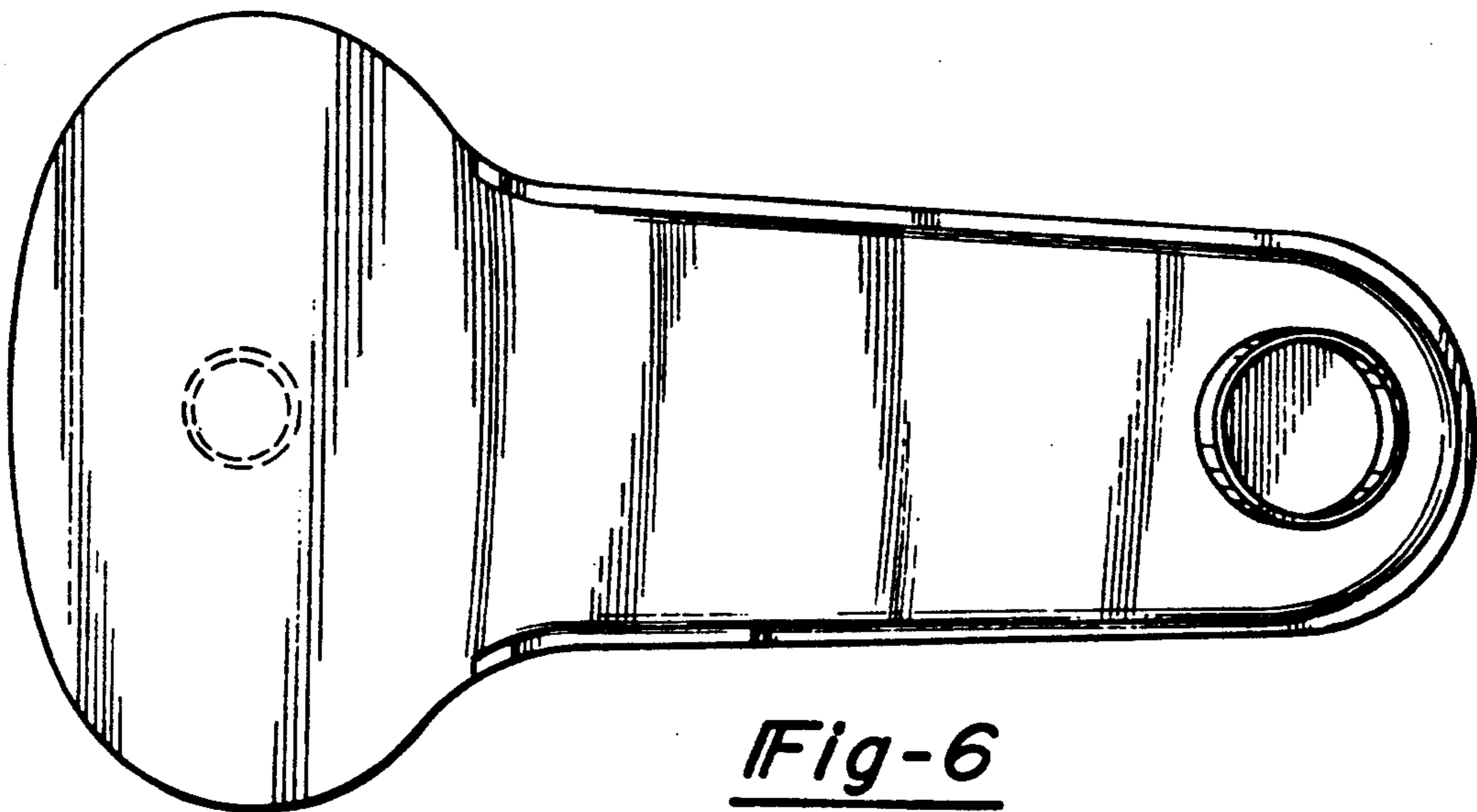


Fig-6