



US00D344572S

United States Patent [19]

Neeser

[11] Patent Number: Des. 344,572

[45] Date of Patent: ** Feb. 22, 1994

[54] SIGHT GAUGE PROTECTOR

[75] Inventor: Timothy A. Neeser, Burnsville, Minn.

[73] Assignee: Minnesota Valley Engineering, Inc.,
New Prague, Minn.

[**] Term: 14 Years

[21] Appl. No.: 742,703

[22] Filed: Aug. 8, 1991

[52] U.S. Cl. D23/206

[58] Field of Search 73/323, 325, 326;
116/276; D23/202, 206

[56] References Cited

U.S. PATENT DOCUMENTS

D. 273,510	4/1984	Mayor	D23/206
D. 334,967	4/1993	Kitsuda	D23/206
1,694,904	12/1928	Anderson	116/276
3,046,785	7/1962	Au Werter	73/325
3,248,946	5/1966	Lichtenberg et al.	116/276
4,022,062	5/1977	Basel et al.	73/325
4,440,028	4/1984	Ramlow	73/325
4,557,216	12/1985	Demyon	116/276
4,561,305	12/1985	Tremain et al.	73/325
4,981,040	1/1991	Lin	73/323
5,052,224	10/1991	Ford et al.	73/325

FOREIGN PATENT DOCUMENTS

2115936 9/1983 United Kingdom 73/325

OTHER PUBLICATIONS

Liberator/Stroller Brochure for Liquid Oxygen Systems by Gyogenic Associates; Jan. 1984; pp. 1-4.

Primary Examiner—A. Hugo Word

Assistant Examiner—Cathy Anne MacCormac

Attorney, Agent, or Firm—Rockey, Rifkin and Ryther

[57] CLAIM

The ornamental design for a sight gauge protector, as shown and described.

DESCRIPTION

FIG. 1 is a front view of a sight gauge protector showing my new design;
 FIG. 2 is a side view of the sight gauge protector of FIG. 1;
 FIG. 3 is a rear view of the sight gauge protector of FIG. 1;
 FIG. 4 is a section view along lines 4—4 of FIG. 1 of the sight gauge protector;
 FIG. 5 is a top plan view of the sight gauge protector of FIG. 1; and,
 FIG. 6 is a bottom plan view of the sight gauge protector of FIG. 1.

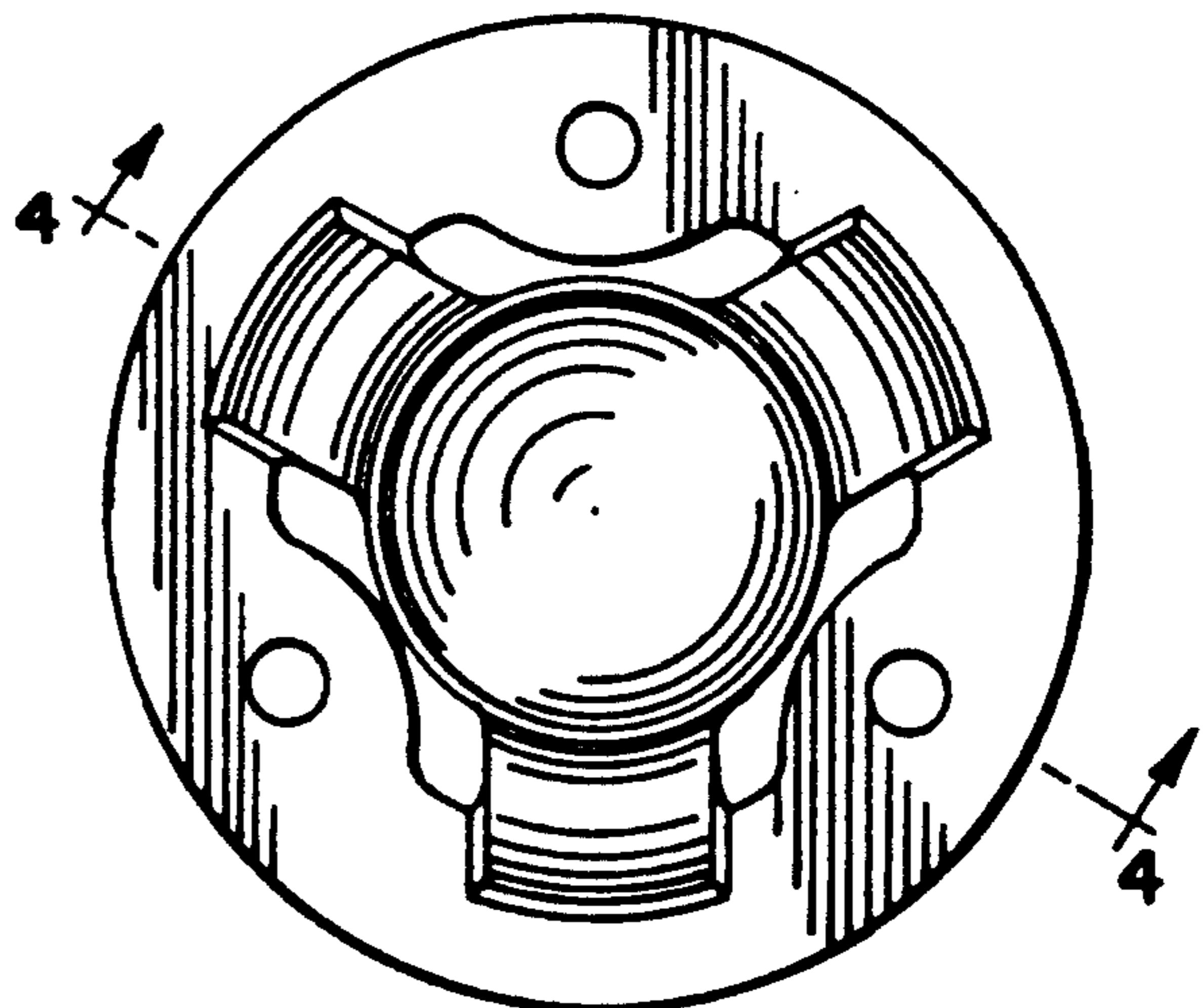
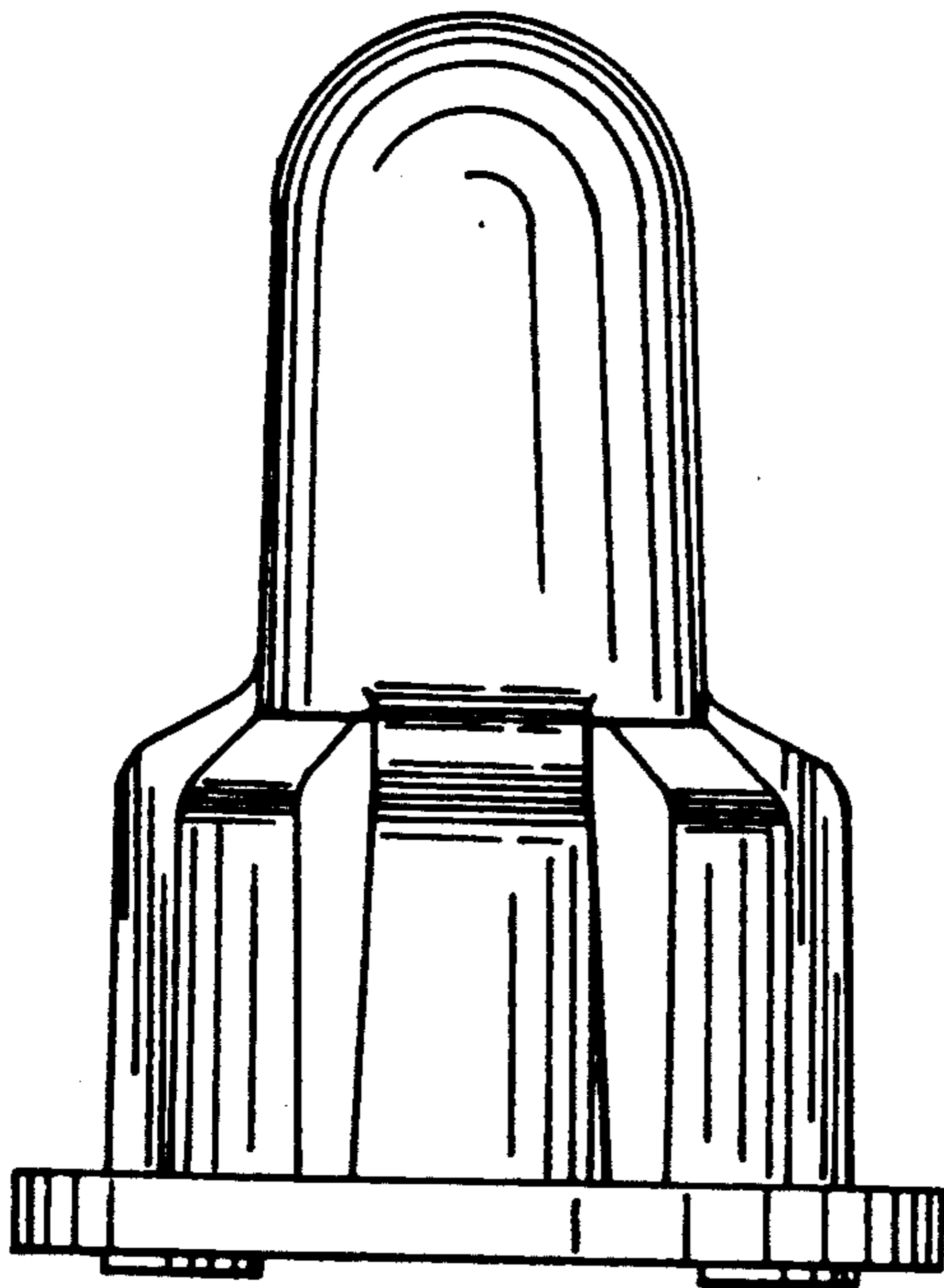


FIG.1

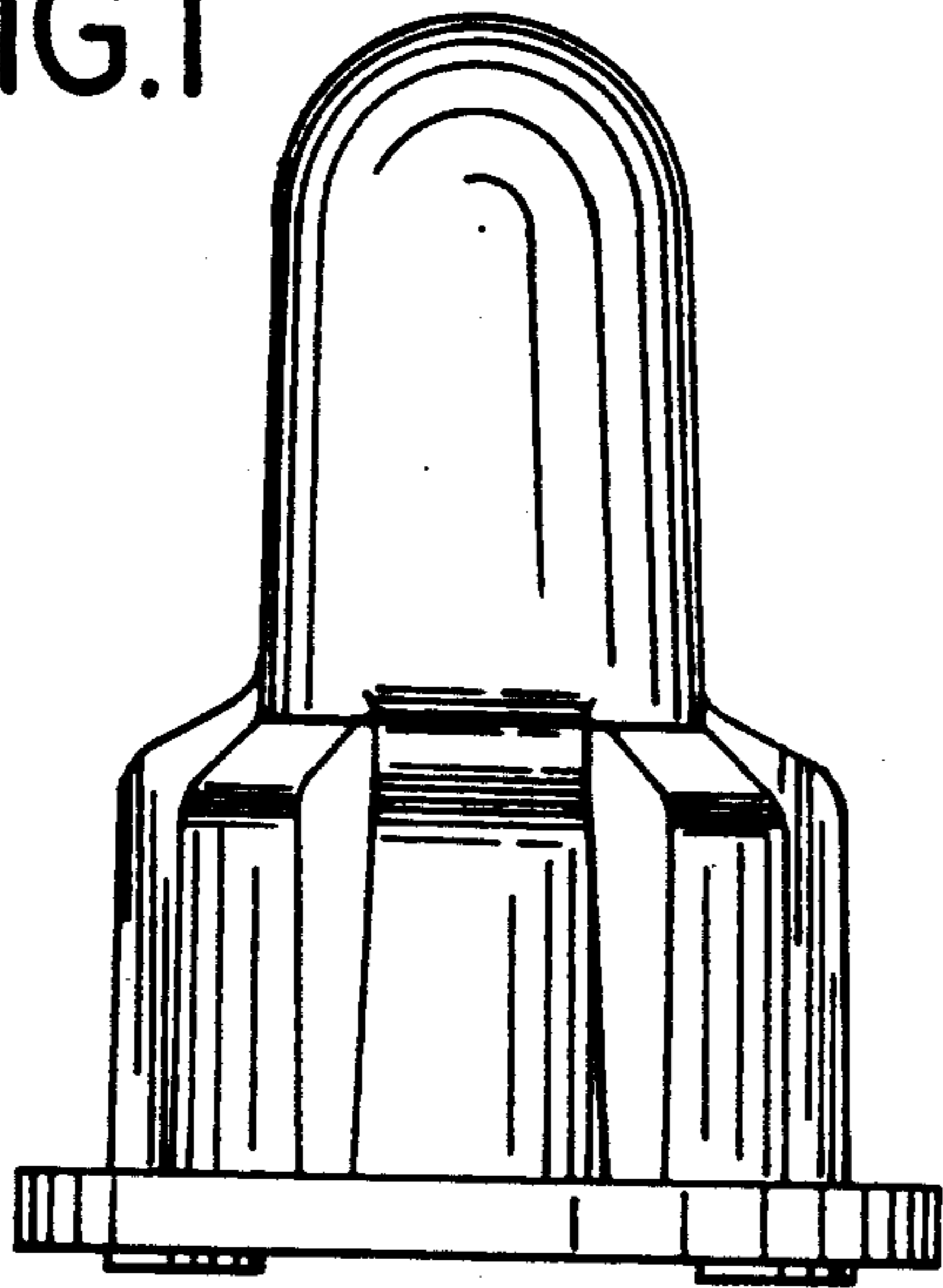


FIG.2

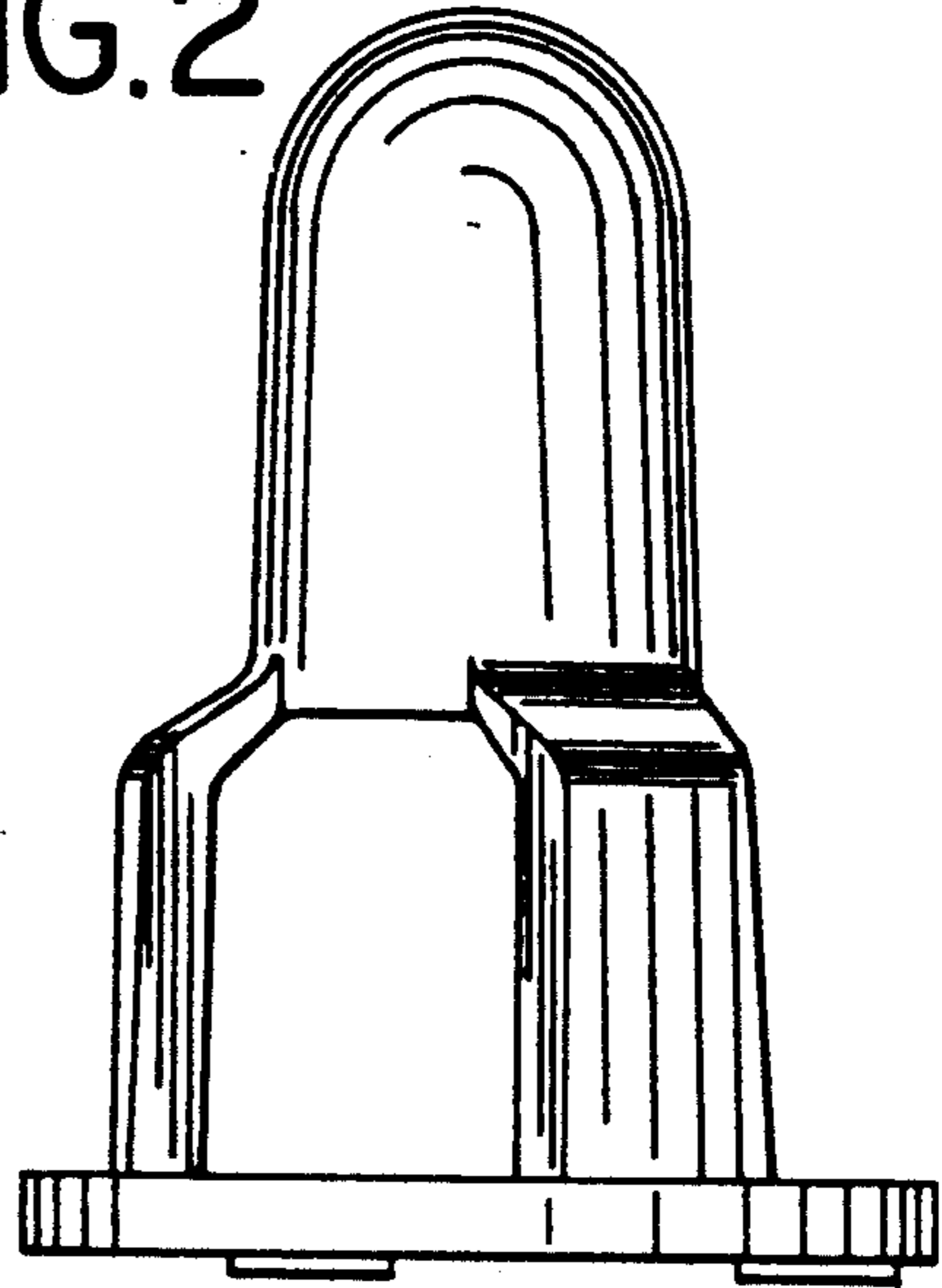


FIG.3

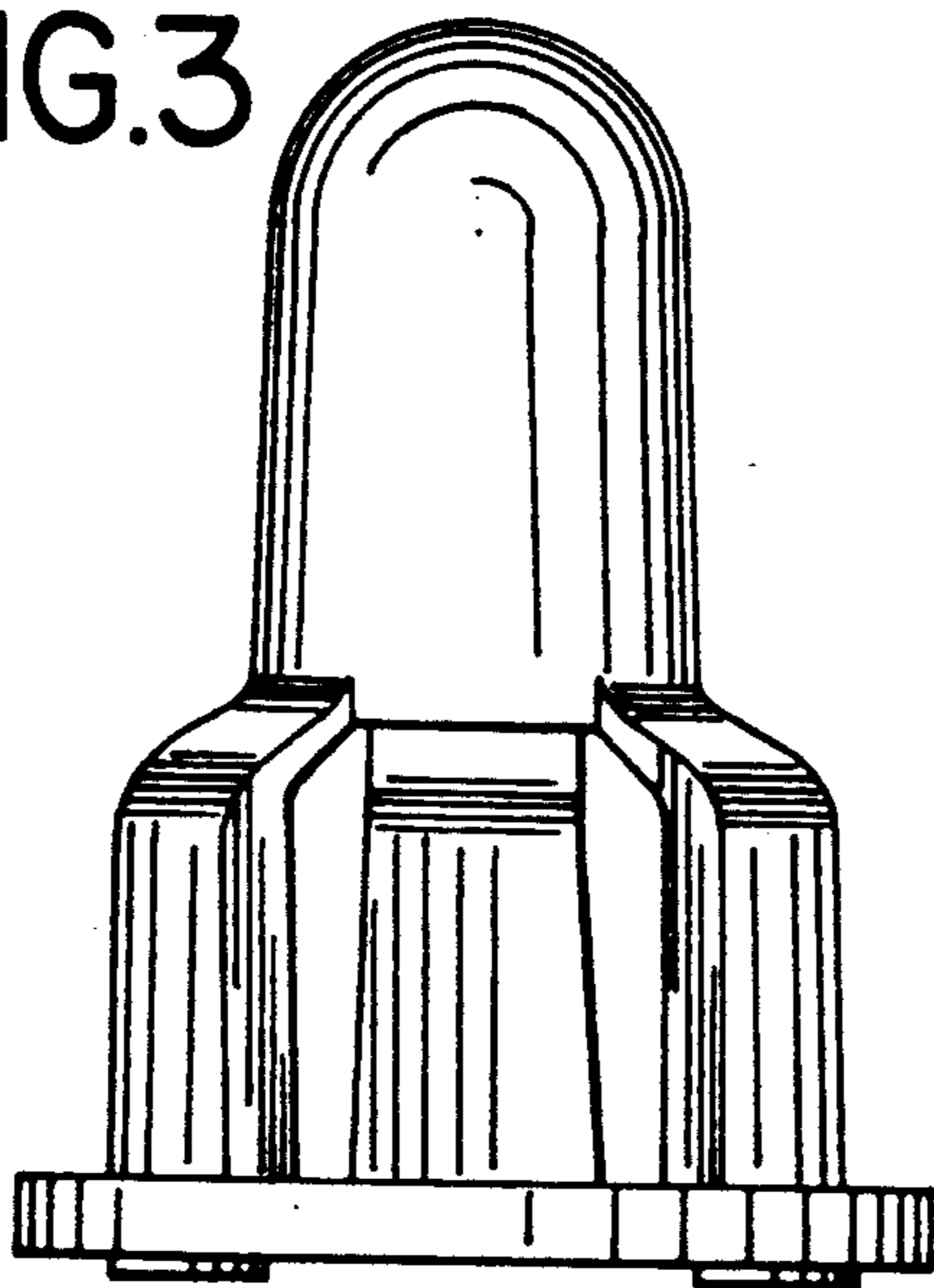


FIG.4

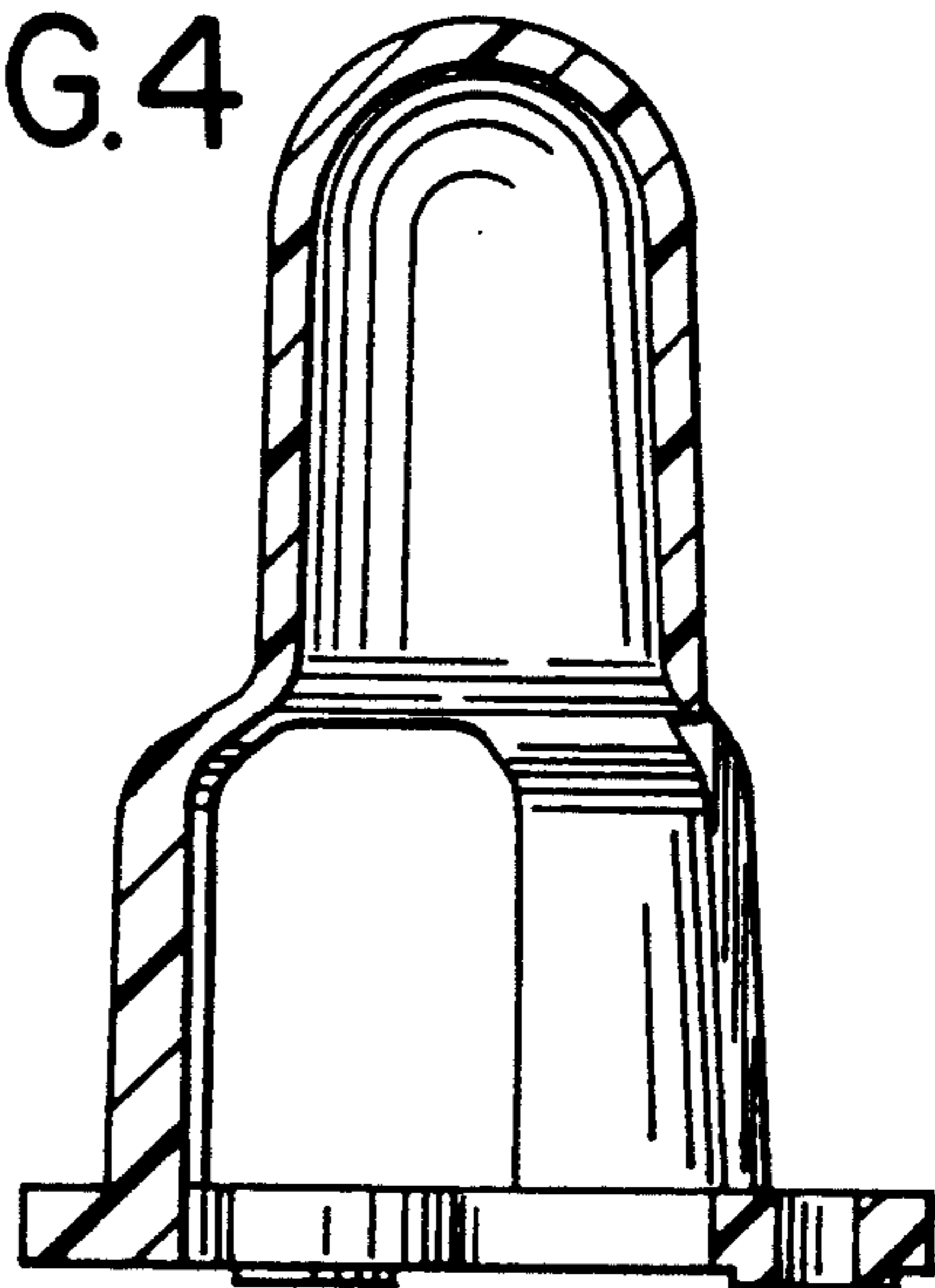


FIG.5

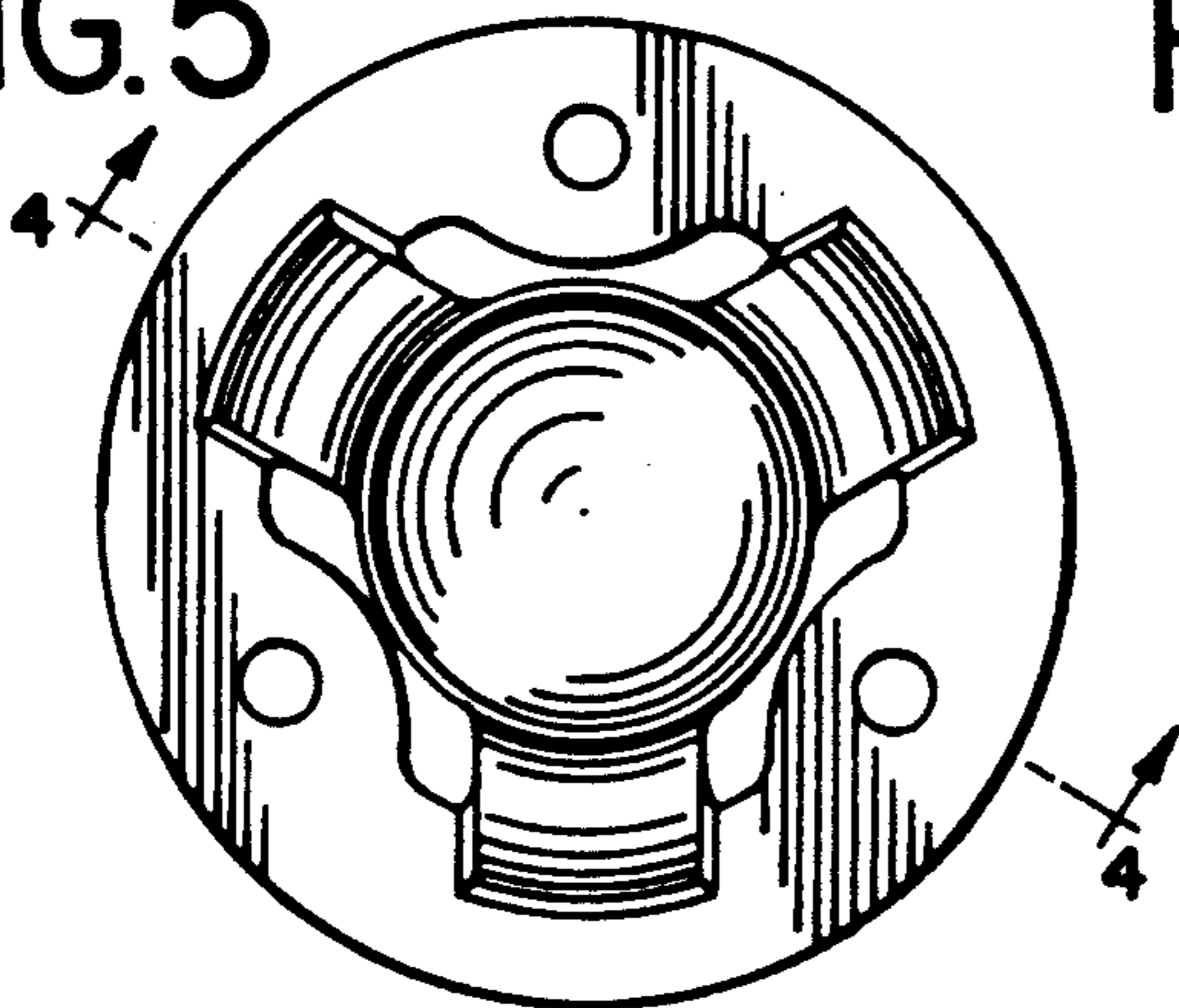


FIG.6

