



US00D344570S

United States Patent [19]

Robbins et al.

[11] Patent Number: **Des. 344,570**

[45] Date of Patent: **** Feb. 22, 1994**

[54] **SPINNING FISHING REEL**

[75] Inventors: **Richard J. Robbins, Derby, Kans.;**
Richard J. Feehan, Pawnee, Okla.

[73] Assignee: **Zebco Corporation, Tulsa, Okla.**

[**] Term: **14 Years**

[21] Appl. No.: **473,203**

[22] Filed: **Jan. 31, 1990**

[52] U.S. Cl. **D22/141**

[58] Field of Search **242/224, 230-233,**
242/245, 246; D22/141

[56] **References Cited**

U.S. PATENT DOCUMENTS

- D. 290,989 7/1987 Ten Eyck et al. D22/141
- D. 291,109 7/1987 Myojo D22/141
- D. 300,055 2/1989 Doi et al. D22/141
- D. 307,458 4/1990 Iinuma D22/141
- D. 321,033 10/1991 Robbins et al. D22/141

- D. 321,549 11/1991 Robbins et al. D22/141
- 4,676,450 6/1987 Carpenter et al. 248/84.2 G

Primary Examiner—A. Hugo Word

Assistant Examiner—Doris V. Coles

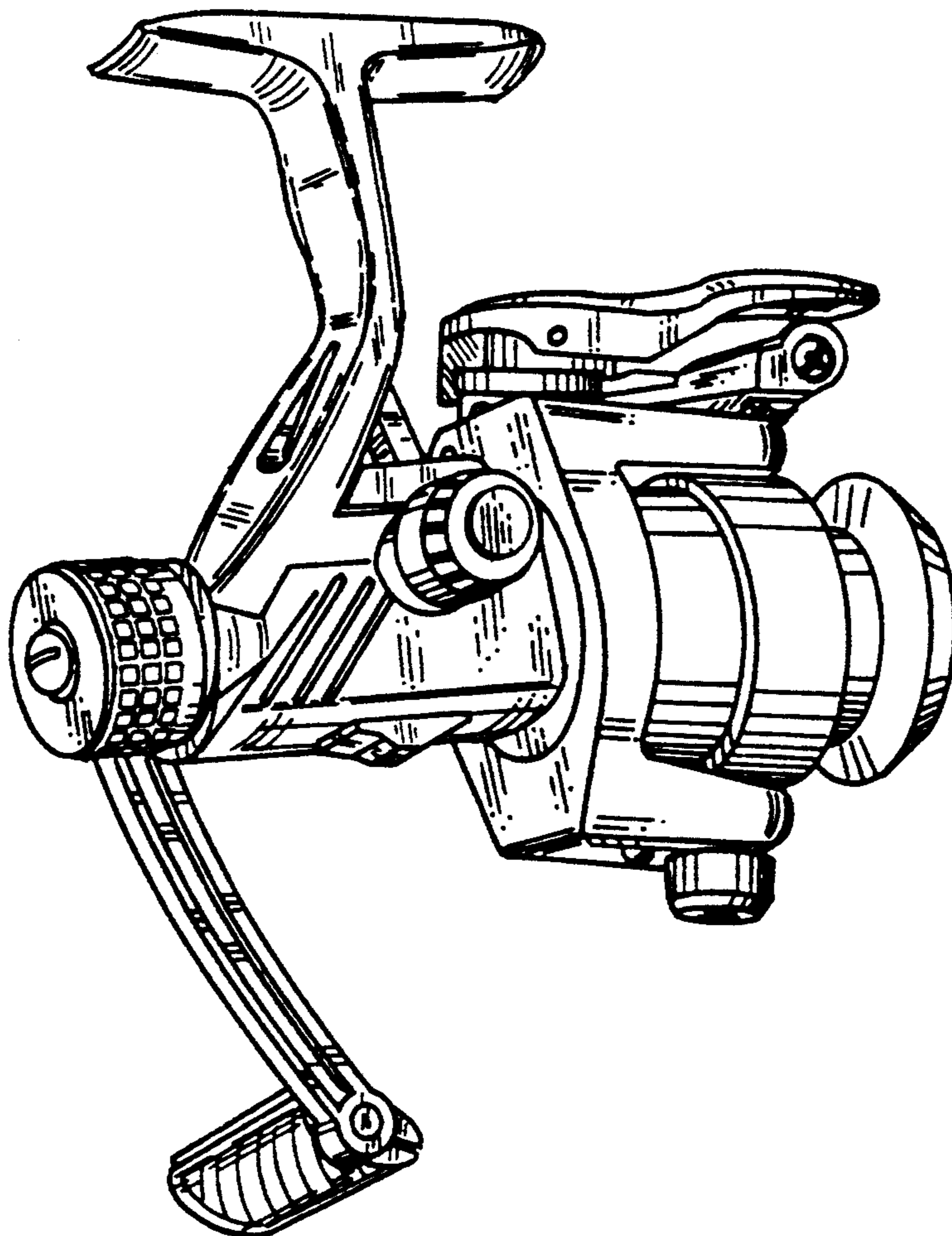
Attorney, Agent, or Firm—Wood, Phillips, VanSanten,
Hoffman & Ertel

[57] **CLAIM**

The ornamental design for a spinning fishing reel, as shown and described.

DESCRIPTION

FIG. 1 is a rear and left side perspective view of a spinning fishing reel, showing our new design;
 FIG. 2 is a right side elevational view thereof;
 FIG. 3 is a left side elevational view thereof;
 FIG. 4 is a top plan view thereof;
 FIG. 5 is a bottom plan view thereof;
 FIG. 6 is a front elevational view thereof;
 FIG. 7 is a rear elevational view thereof; and,
 FIG. 8 is another bottom plan view thereof.



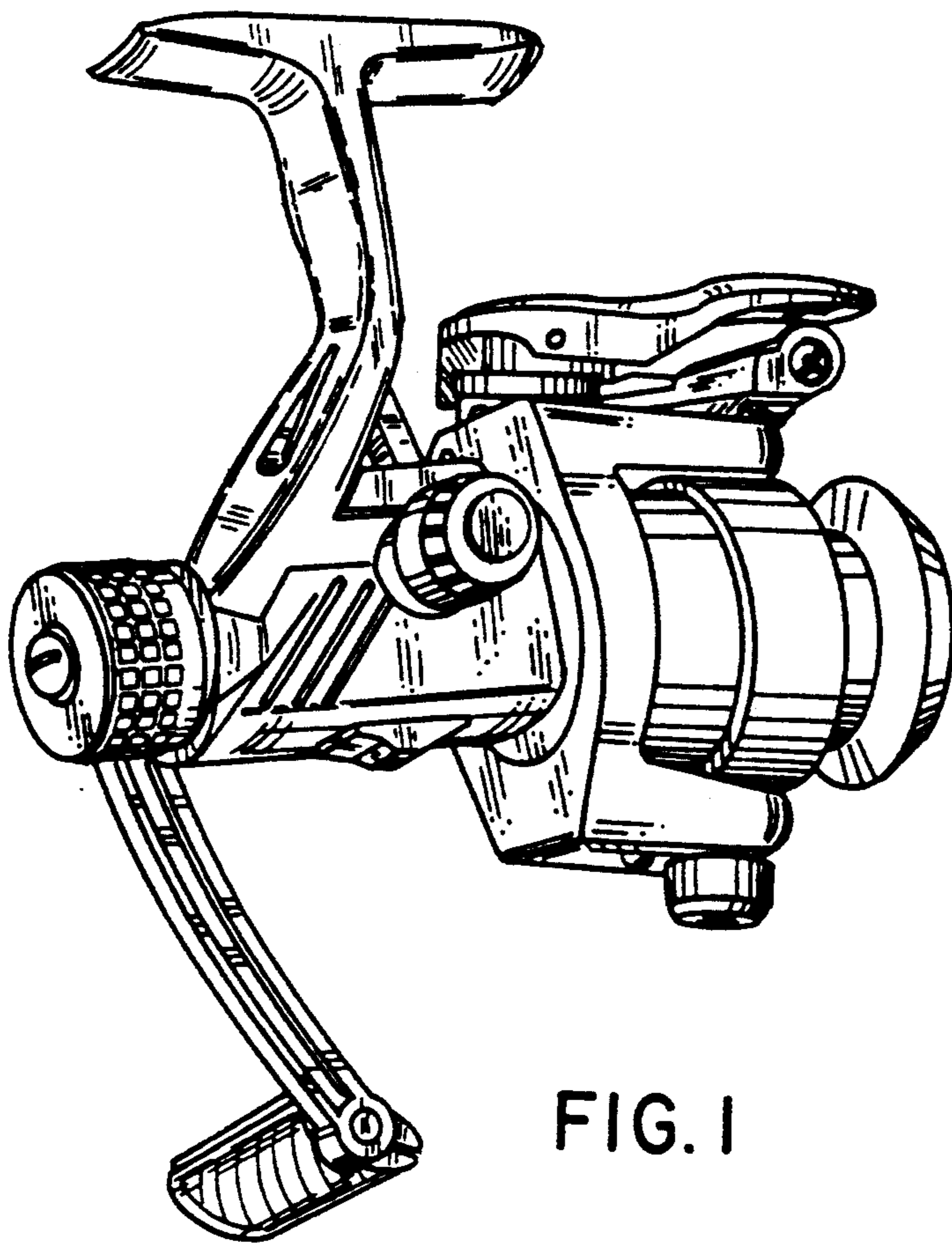


FIG. 1

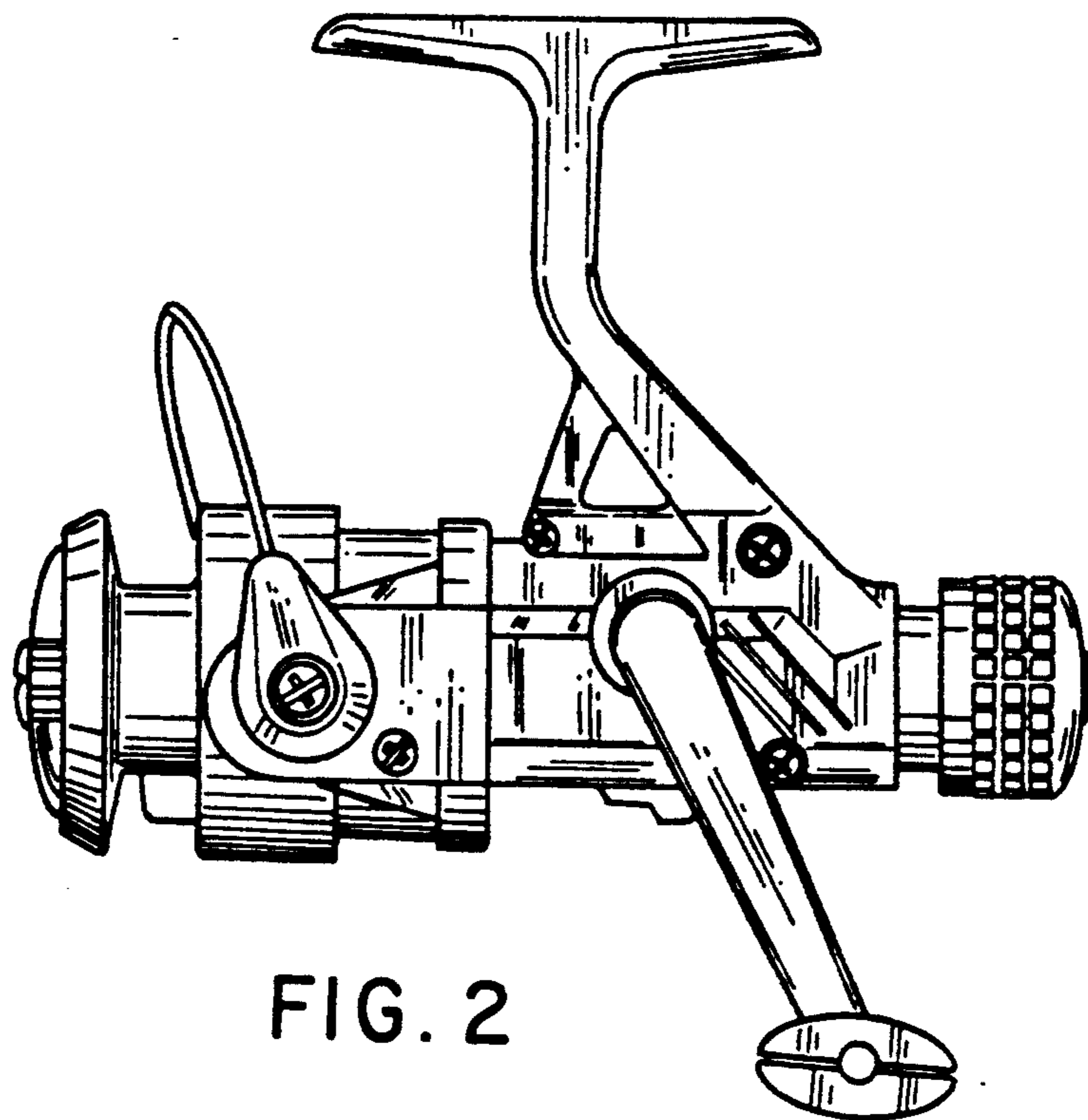
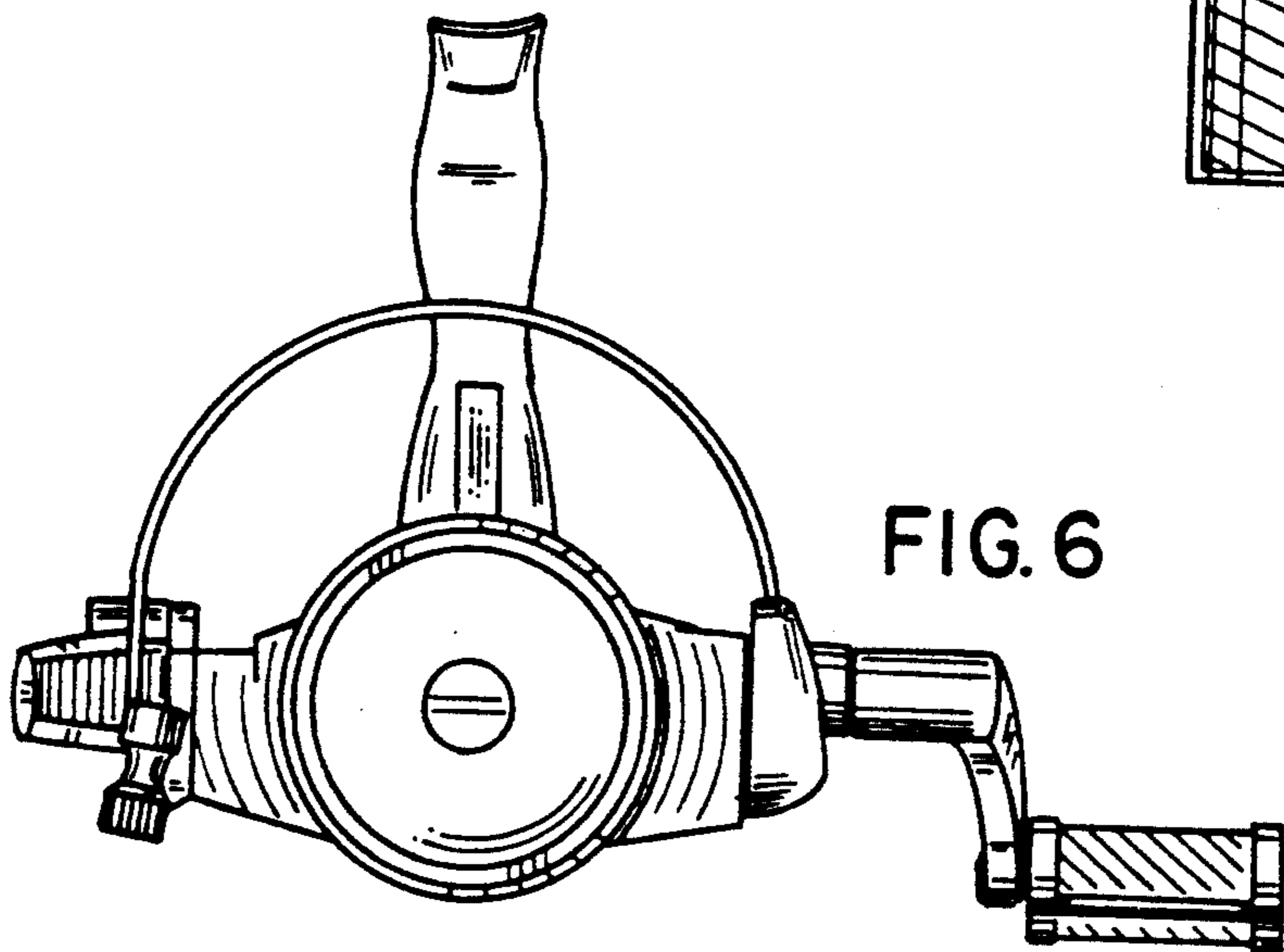
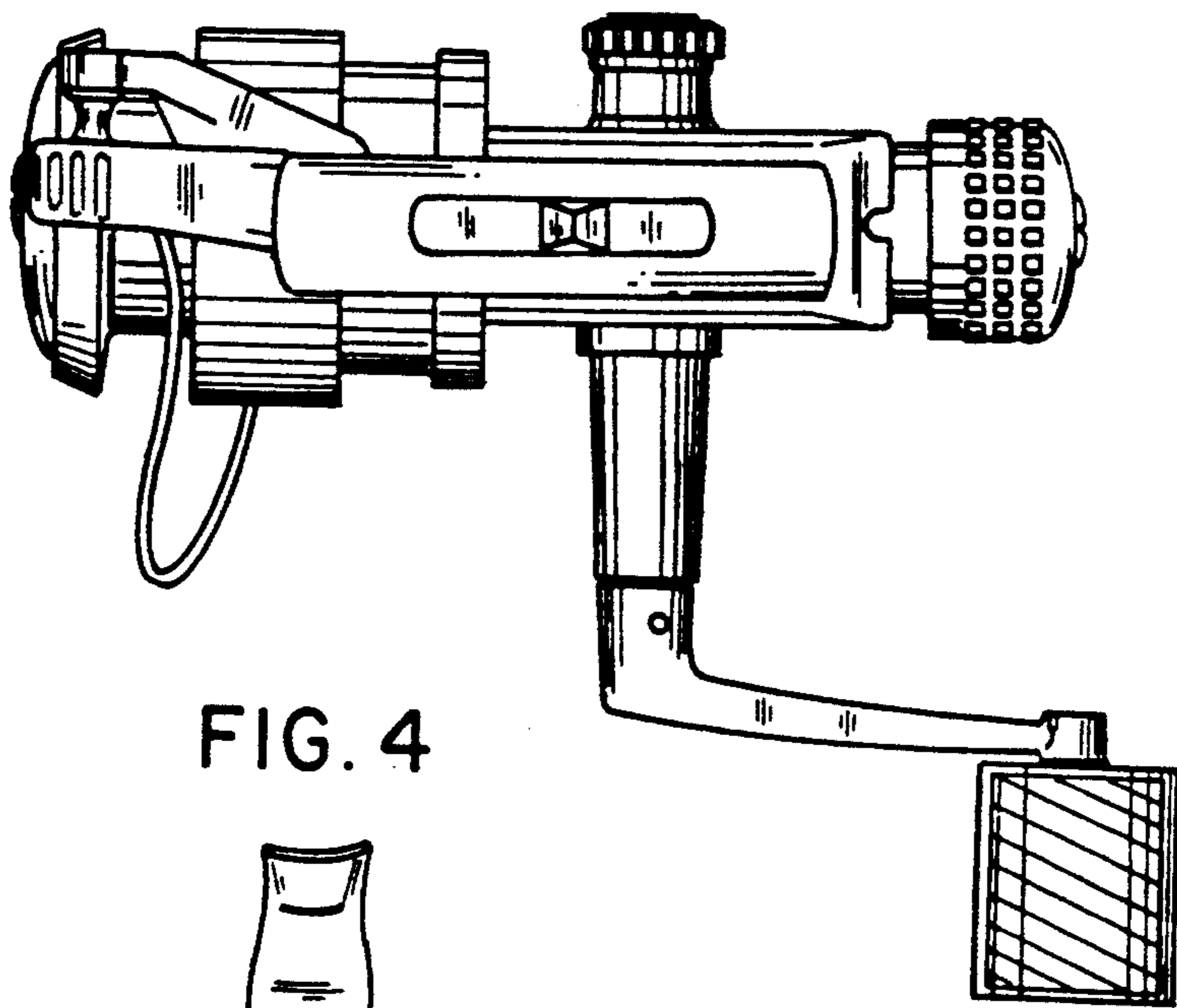
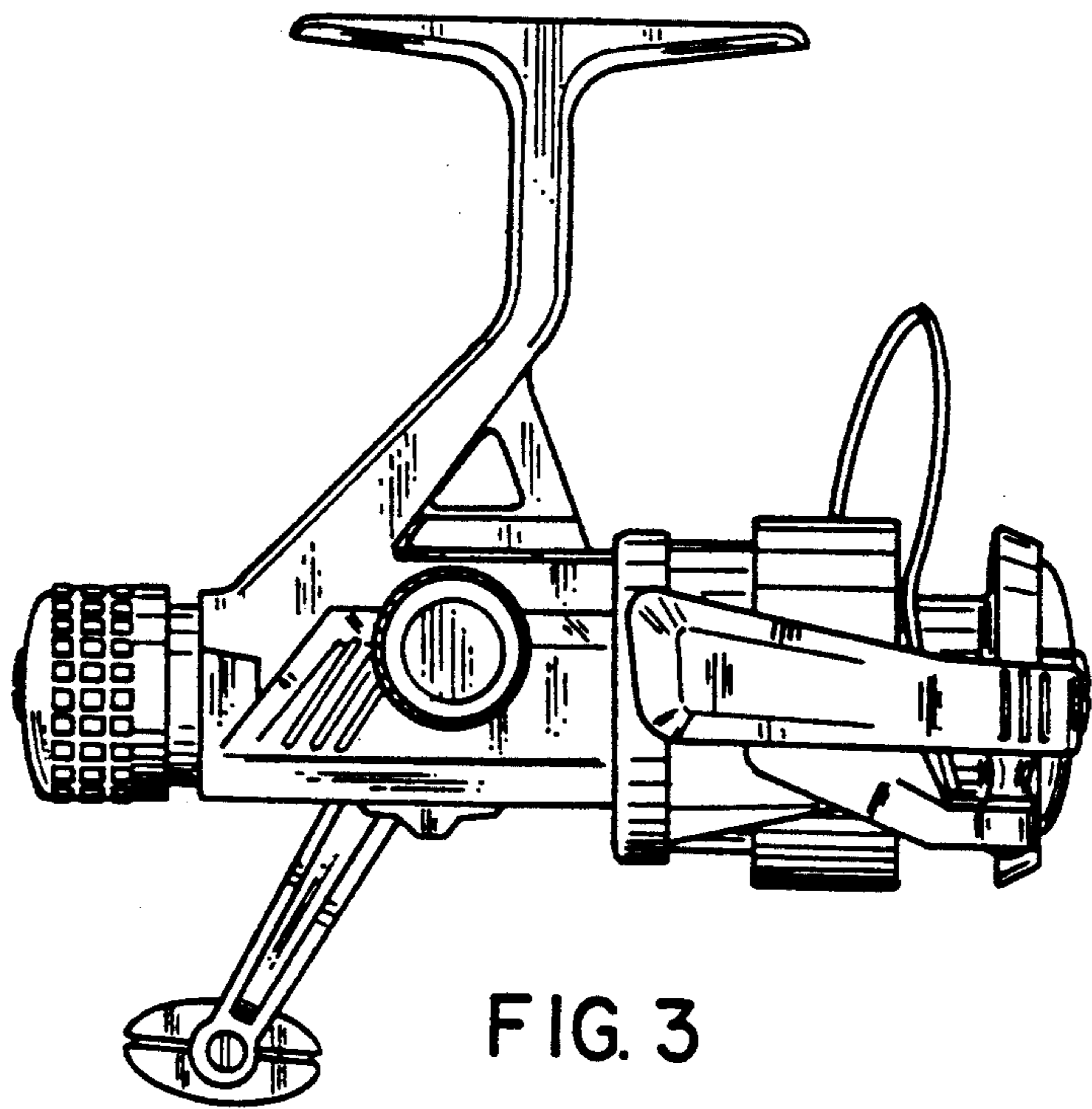


FIG. 2



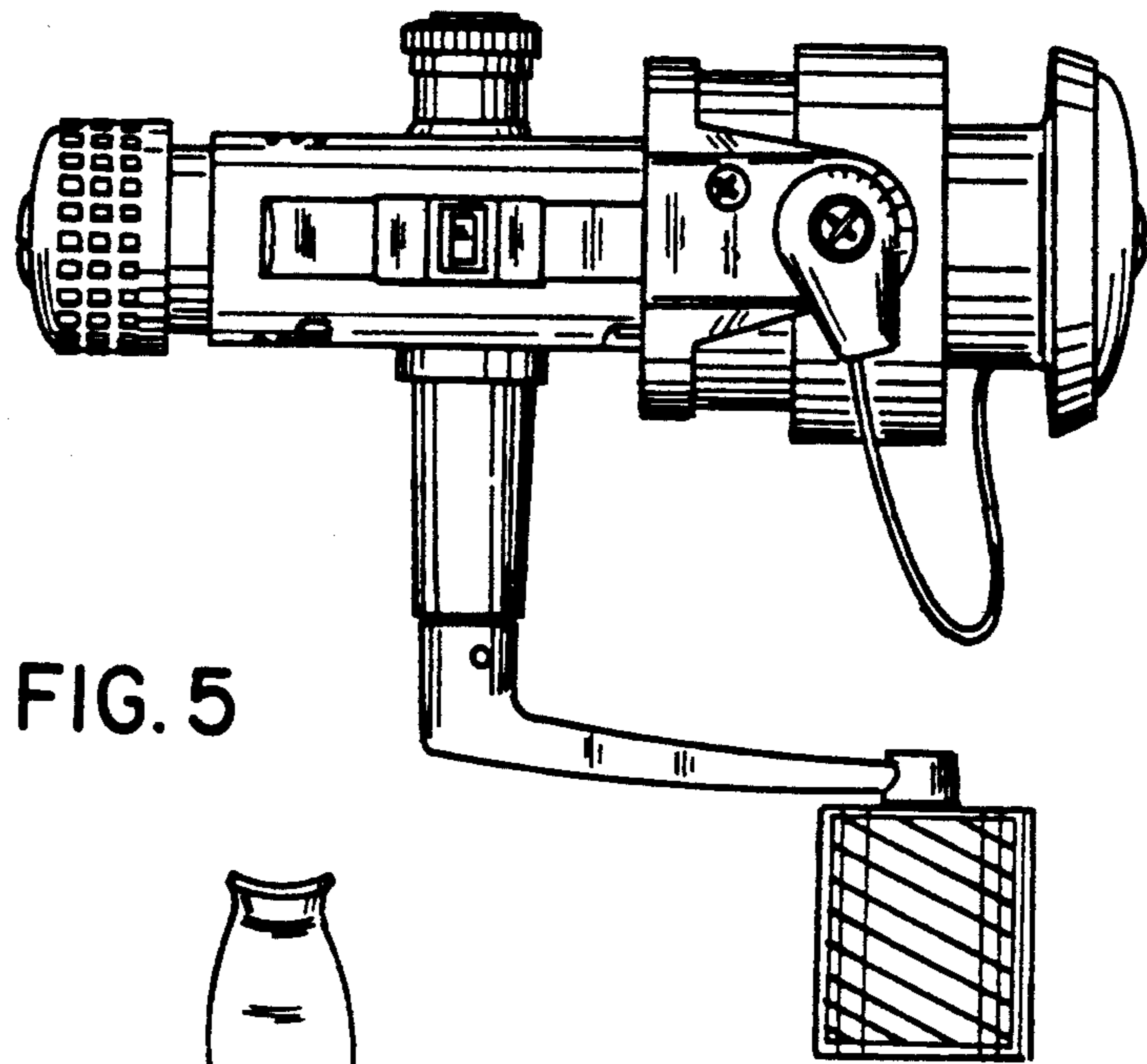


FIG. 5

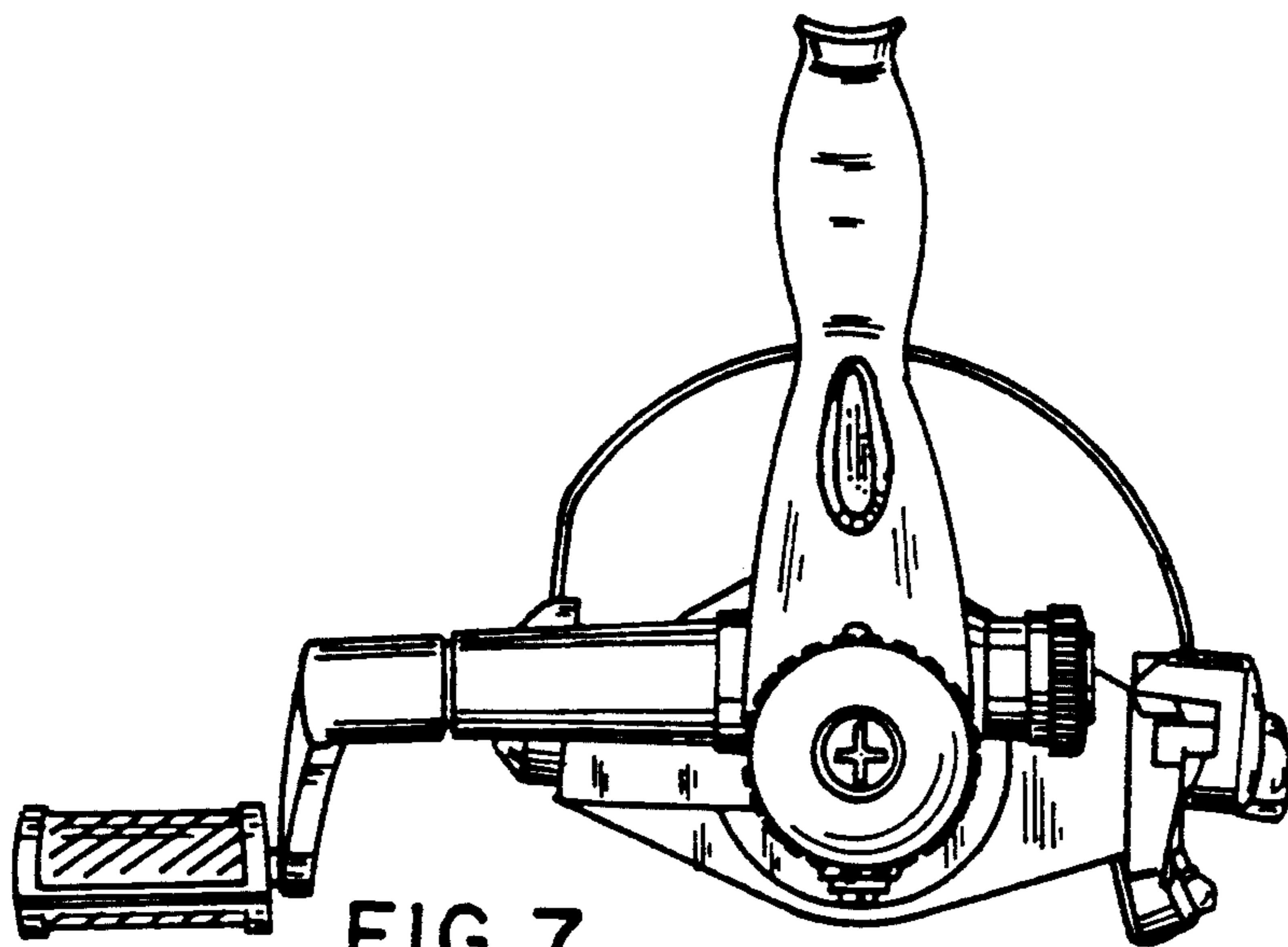


FIG. 7

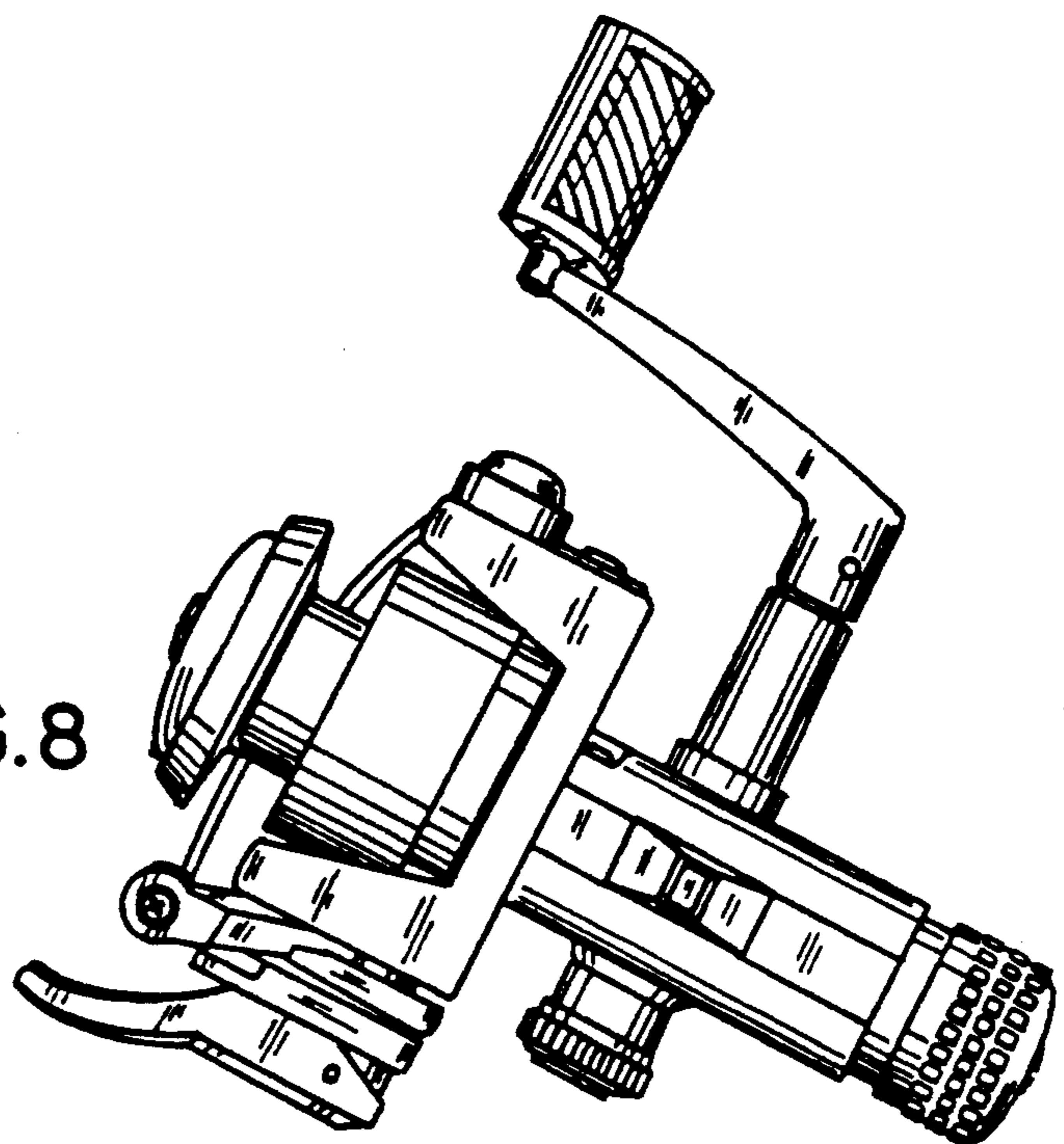


FIG. 8