



US00D344569S

United States Patent [19]

Stewart

[11] Patent Number: Des. 344,569

[45] Date of Patent: ** Feb. 22, 1994

[54] COMBINATION CRAB NET AND BAIT LINE REEL

[76] Inventor: Jeffrey H. Stewart, 120 Texas Rd., Morganville, N.J. 07751

[**] Term: 14 Years

[21] Appl. No.: 752,260

[22] Filed: Aug. 29, 1991

[52] U.S. Cl. D22/135

[58] Field of Search 43/7-12, 43/14; D22/121, 135

[56] References Cited

U.S. PATENT DOCUMENTS

D. 162,827	4/1951	Harvey	D22/135
803,160	10/1905	Franklin	43/11
1,736,624	11/1929	Richardson	43/11
2,791,676	5/1957	Cote	43/11
4,263,864	4/1981	Carter, Jr.	43/12
4,571,875	2/1986	Ballas	43/11
4,653,214	3/1987	Cline	43/14
4,765,420	8/1988	Mengo	D22/135
4,815,227	3/1989	Flanders, Sr.	43/7
4,839,980	6/1989	Hersom	43/11
5,020,464	6/1991	Rodrigues	43/11

OTHER PUBLICATIONS

Mengo Industries, Inc., Tackle & Marine Catalog; p. 3 item 2915 Bass/Trout Nets w/weigh scale.

Primary Examiner—A. Hugo Word

Assistant Examiner—Cathy Anne MacCormac

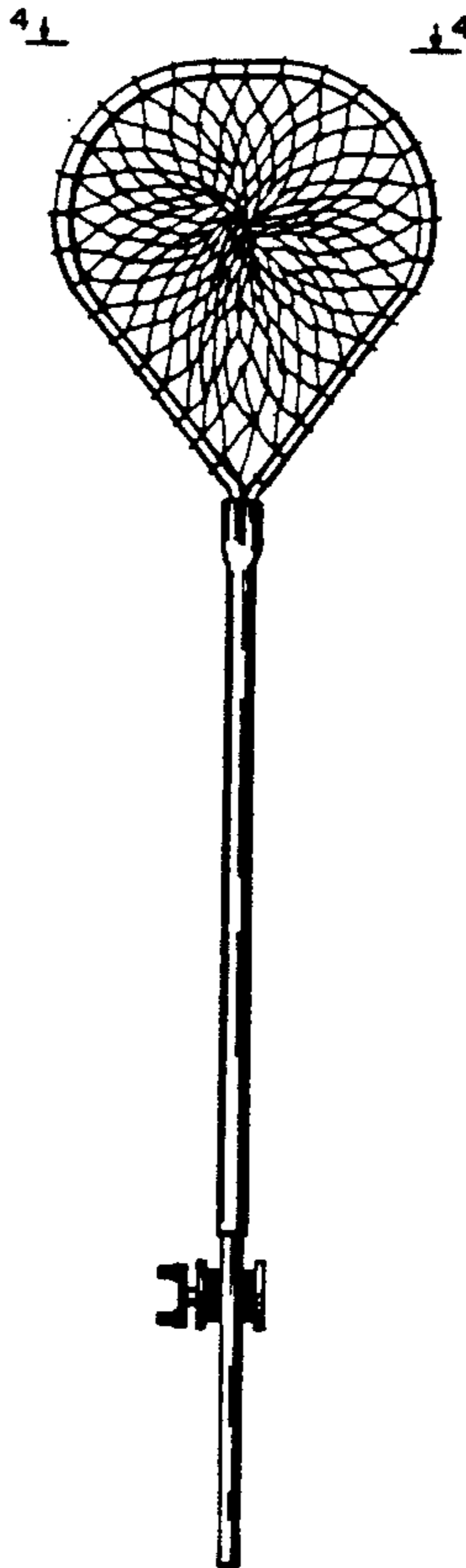
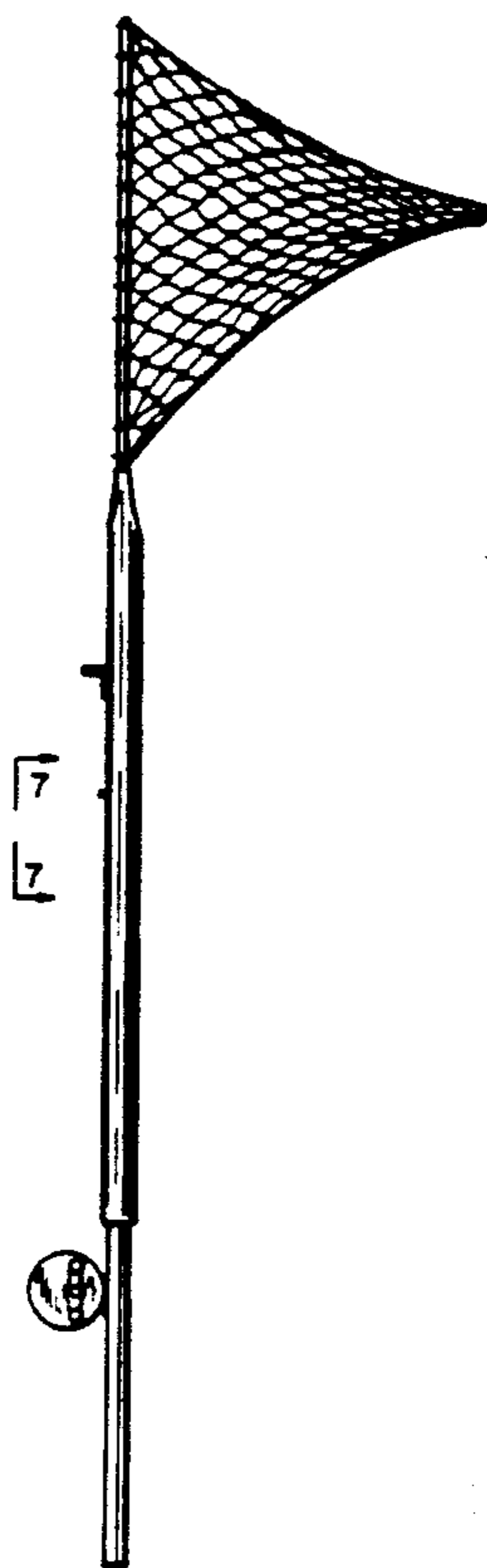
Attorney, Agent, or Firm—Patrick J. Pinto

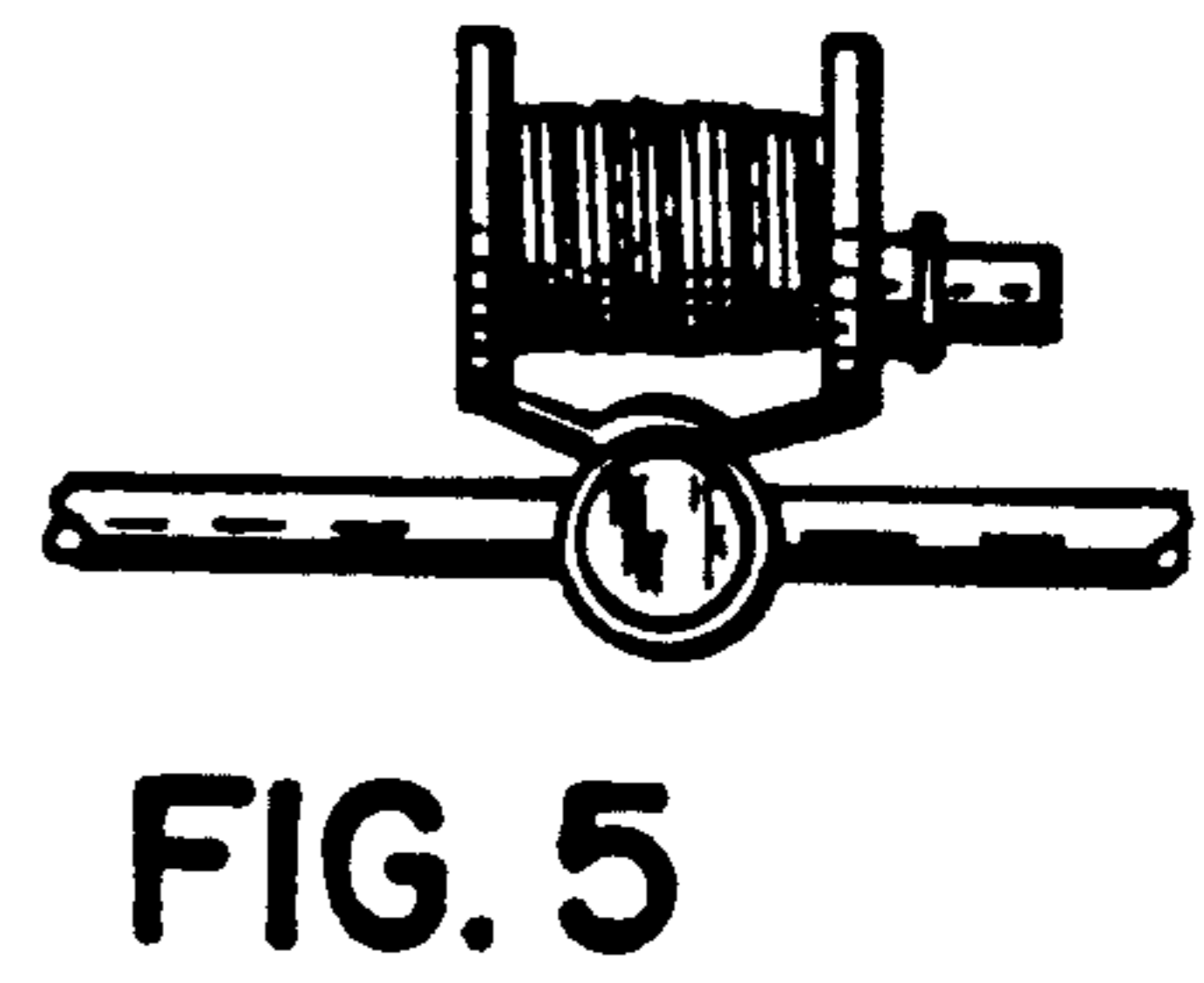
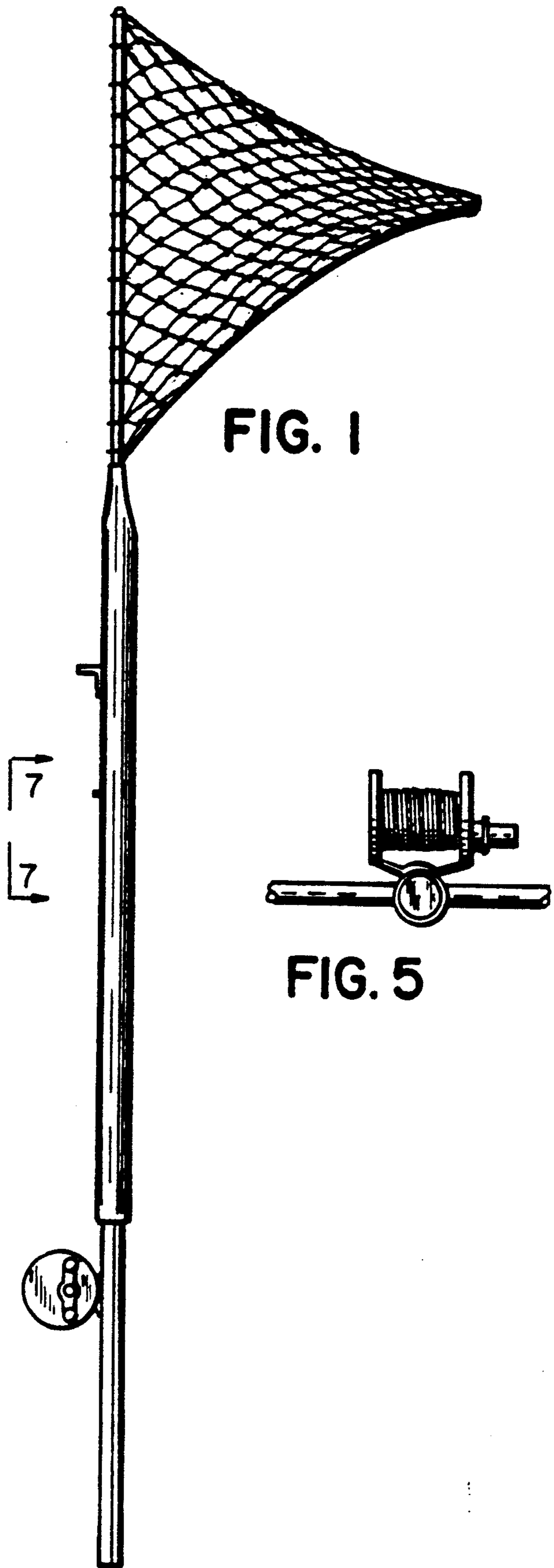
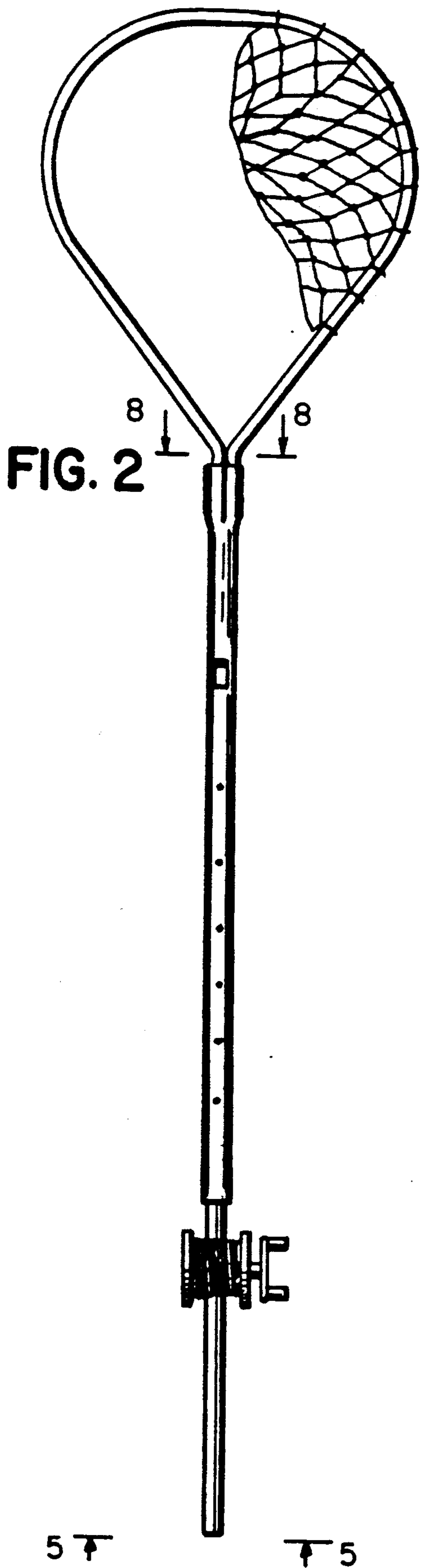
[57] CLAIM

The ornamental design for a combination crab net and bait line reel, as shown and described.

DESCRIPTION

FIG. 1 is a front elevational view of a combination crab net and bait line reel showing my new design;
 FIG. 2 is a top plan view thereof, with a portion of the crab net broken away;
 FIG. 3 is a bottom plan view thereof;
 FIG. 4 is a right-side elevational view thereof, with the net removed from the frame for ease of illustration, this view taken along line 4—4 of FIG. 3;
 FIG. 5 is an left-side elevational view thereof, in an enlarged scale and with the net removed from the frame for ease of illustration, this view taken along line 5—5 of FIG. 2;
 FIG. 6 is a rear elevational view thereof;
 FIG. 7 is a fragmentary view thereof, this view being in an enlarged scale and taken between brackets 7—7 of FIG. 1; and,
 FIG. 8 is an enlarged sectional view thereof, this view being taken along line 8—8 of FIG. 2.





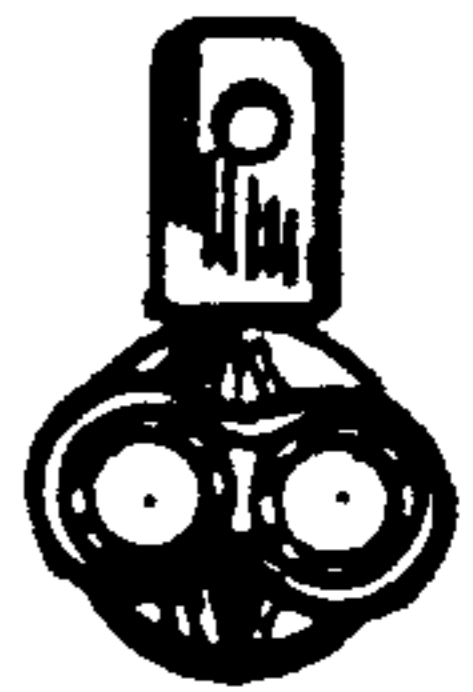
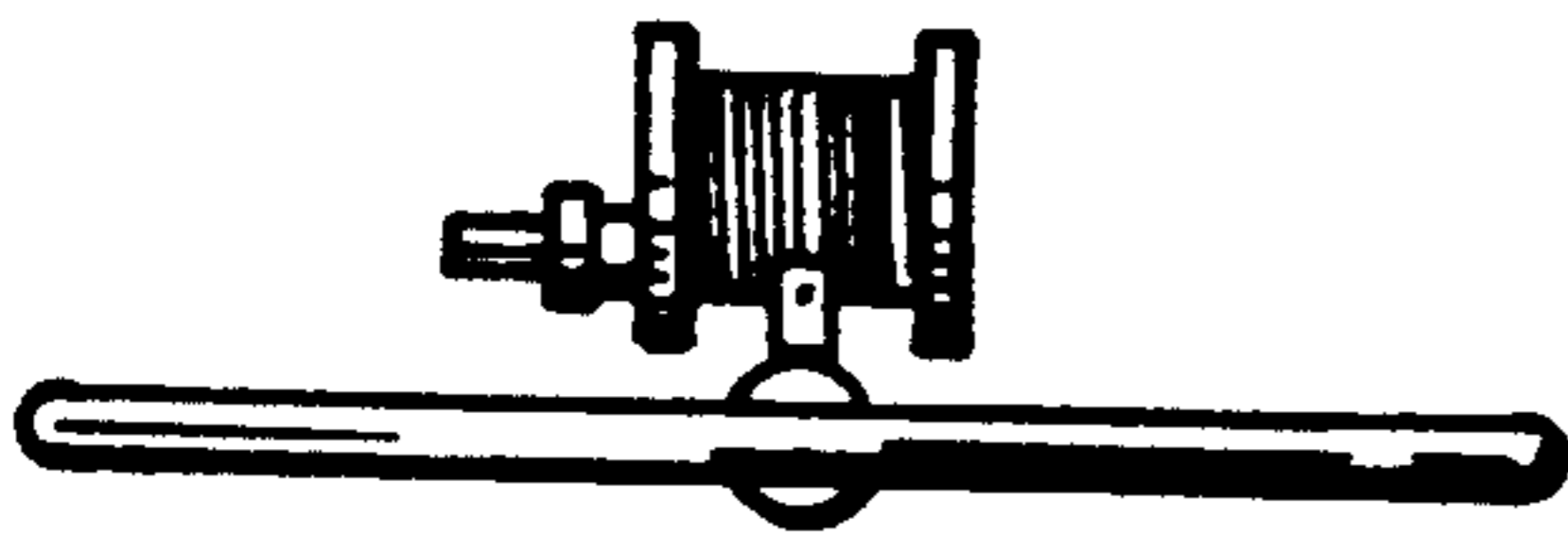
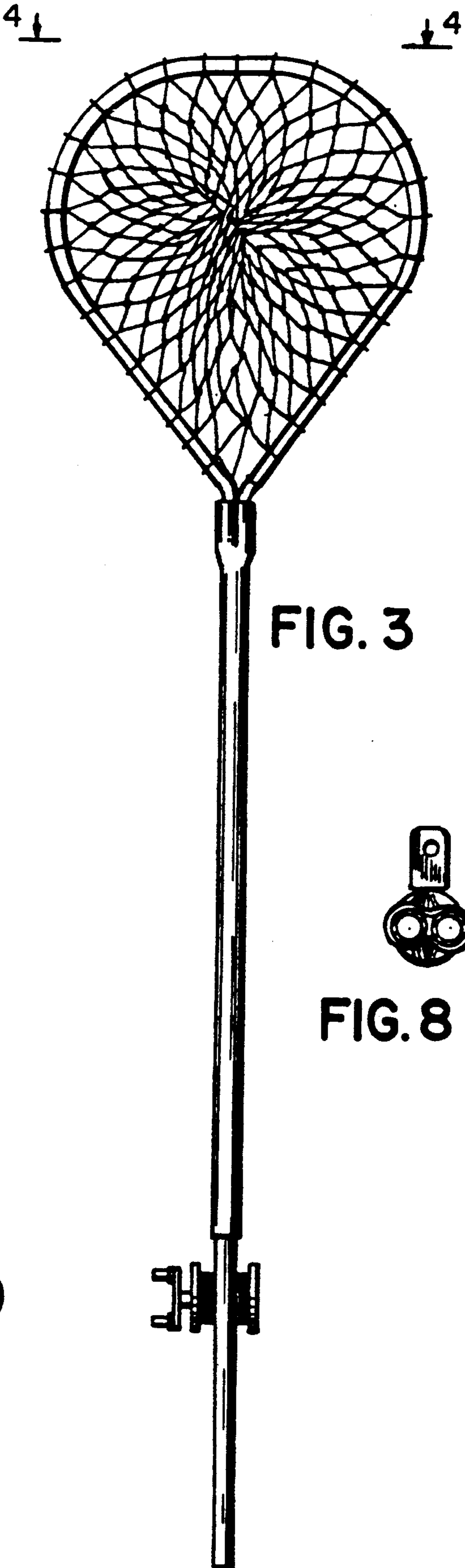
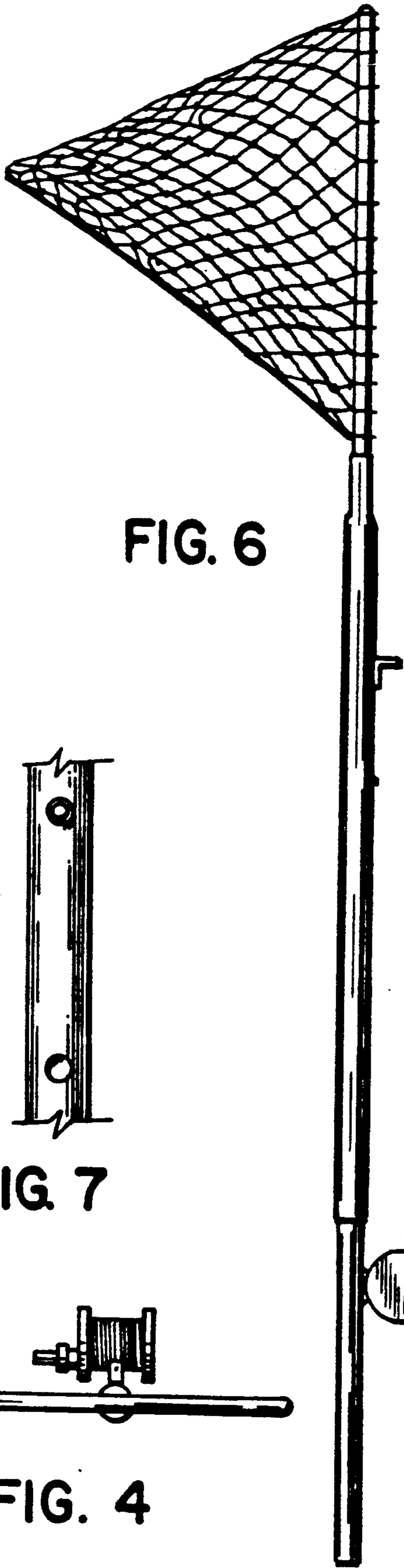


FIG. 4