



US00D344557S

United States Patent [19]

Ashby

[11] Patent Number: Des. 344,557

[45] Date of Patent: ** Feb. 22, 1994

[54] TREADMILL

[75] Inventor: Kent Ashby, Logan, Utah

[73] Assignee: Proform Fitness Products, Inc., Logan, Utah

[**] Term: 14 Years

[21] Appl. No.: 8,792

[22] Filed: May 25, 1993

[52] U.S. Cl. D21/192

[58] Field of Search 482/54, 69, 70, 72; D21/191, 192

4,729,558	3/1988	Kuo	482/54
4,743,015	5/1988	Marshall	482/54
5,110,117	5/1992	Fisher et al.	482/54
5,145,481	9/1992	Friedebach	482/54

FOREIGN PATENT DOCUMENTS

0403924	12/1990	European Pat. Off. .
2616132	12/1988	France .

OTHER PUBLICATIONS

- Vitamaster 960 Treadmill—1991.
- Diversified Products 1990 Catalog, p. 20—DP Power-Trac 2000.
- Battle Creek Equipment Catalog—1988 p. 5, Treadmills.
- Lifestride Treadmill—1991.
- Trotter Treadmill Advertisement—Club Industry Magazine—Jan. 1992—Cover page and p. 52.
- Primary Examiner—Bernard Ansher
- Assistant Examiner—Philip Hyder
- Attorney, Agent, or Firm—Trask, Britt & Rossa

[56]

References Cited

U.S. PATENT DOCUMENTS

D. 207,541	5/1967	Hesen	D21/192
D. 211,801	7/1968	Quinton	D21/192
D. 232,446	8/1974	Townsend	D21/192
D. 270,555	9/1983	Ogden	D21/192
D. 273,029	3/1984	Kullenberg	D21/192
D. 280,002	8/1985	Smith	D21/192
D. 283,239	4/1986	Smith et al.	D21/192
D. 303,414	9/1989	Armstrong et al.	D21/192
D. 304,849	11/1989	Watterson	D21/192
D. 306,891	3/1990	Watterson	D21/192
D. 313,826	1/1991	Birrell et al.	D21/192
D. 315,765	3/1991	Measom et al.	D21/192
D. 316,124	4/1991	Dalebout et al.	D21/192
D. 323,198	1/1992	Dalebout et al.	D21/192
D. 333,330	2/1993	Clem	D21/192
1,082,940	12/1913	Flora	482/54
2,315,485	4/1943	Jones .	
3,659,845	5/1972	Quinton	482/54
4,204,673	5/1980	Speer, Sr.	482/54
4,502,679	3/1985	De Lorenzo	482/54
4,566,689	1/1986	Ogden	482/54
4,679,787	7/1987	Guilbault	482/54

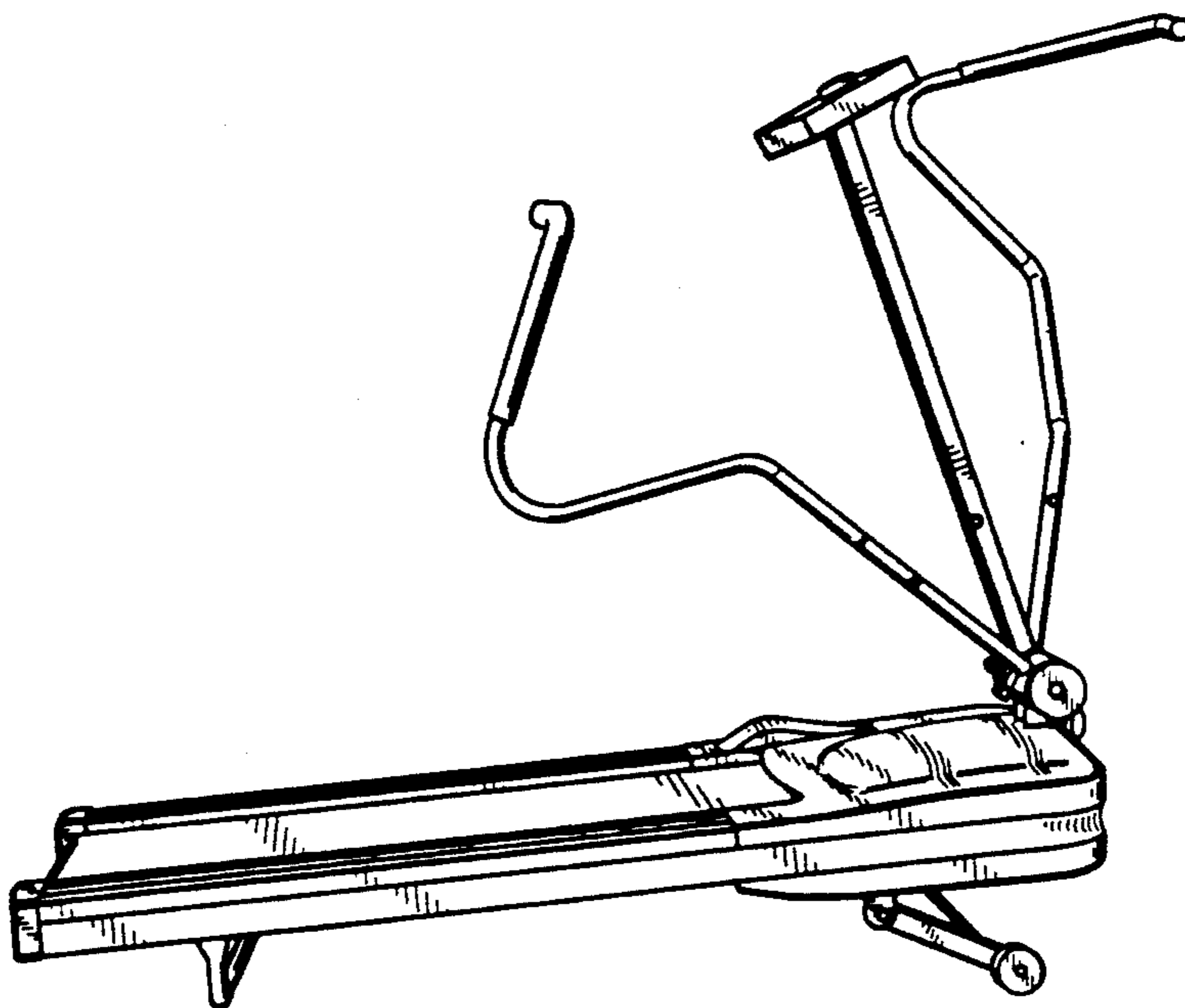
[57]

CLAIM

The ornamental design for a treadmill, as shown and described.

DESCRIPTION

FIG. 1 is a perspective view of a treadmill showing my design thereof;
 FIG. 2 is a right side elevational view thereof;
 FIG. 3 is a left side elevational view thereof;
 FIG. 4 is a front elevational view thereof;
 FIG. 5 is a rear elevational view thereof;
 FIG. 6 is a top plan view thereof;
 FIG. 7 is a bottom plan view thereof; and,
 FIG. 8 is a perspective view thereof, with the handles in alternate positions.



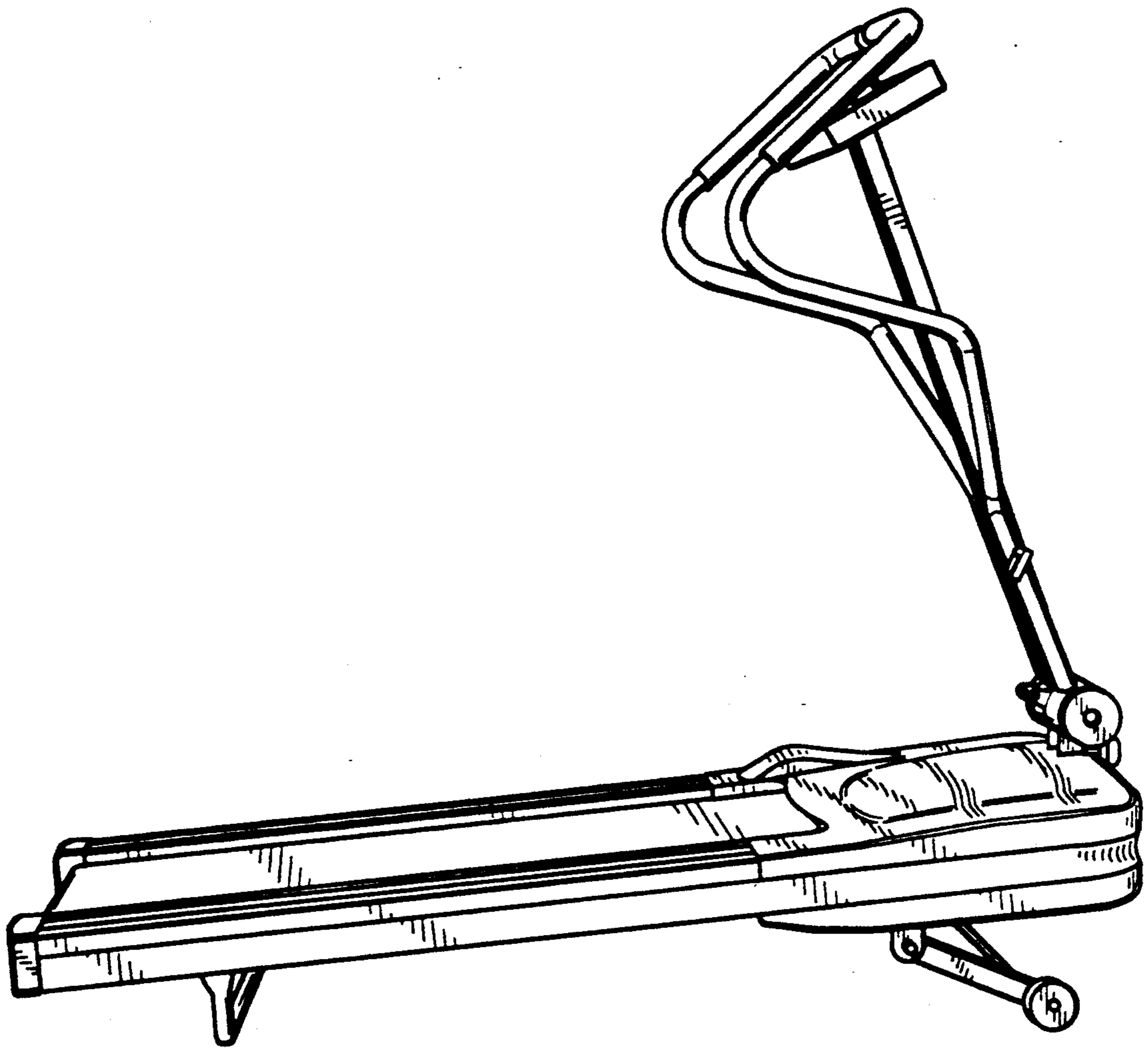


Fig. 1

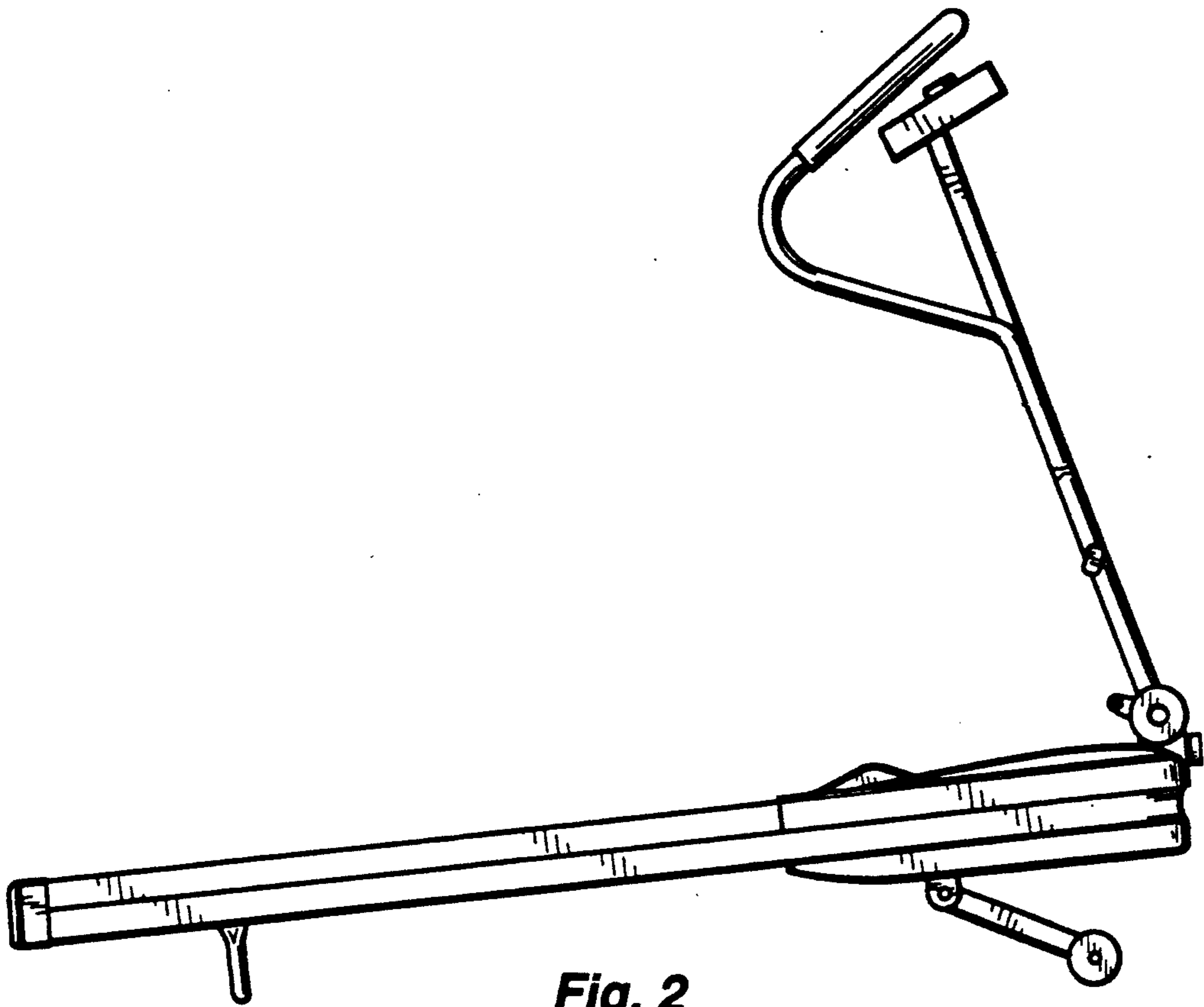


Fig. 2

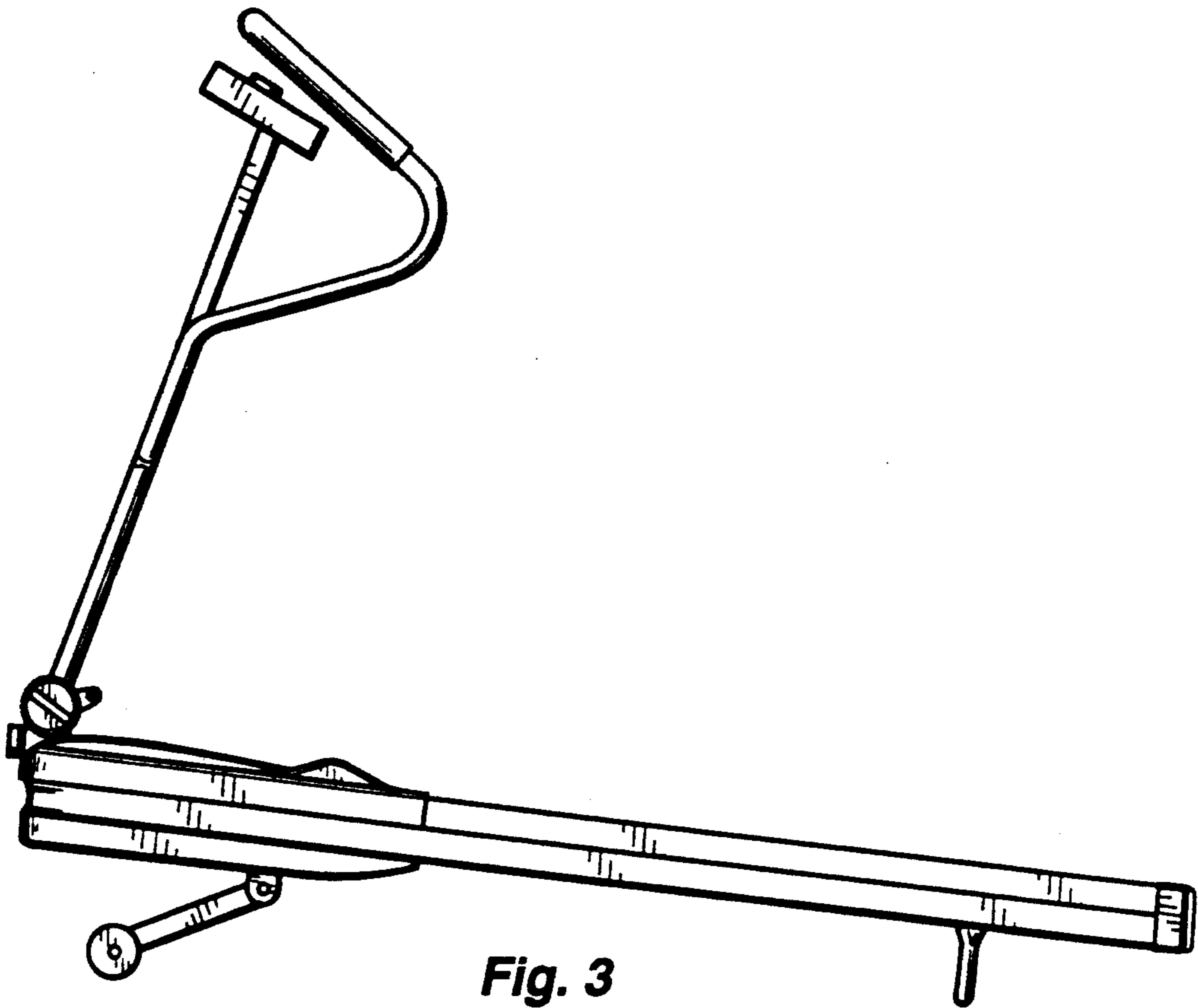


Fig. 3

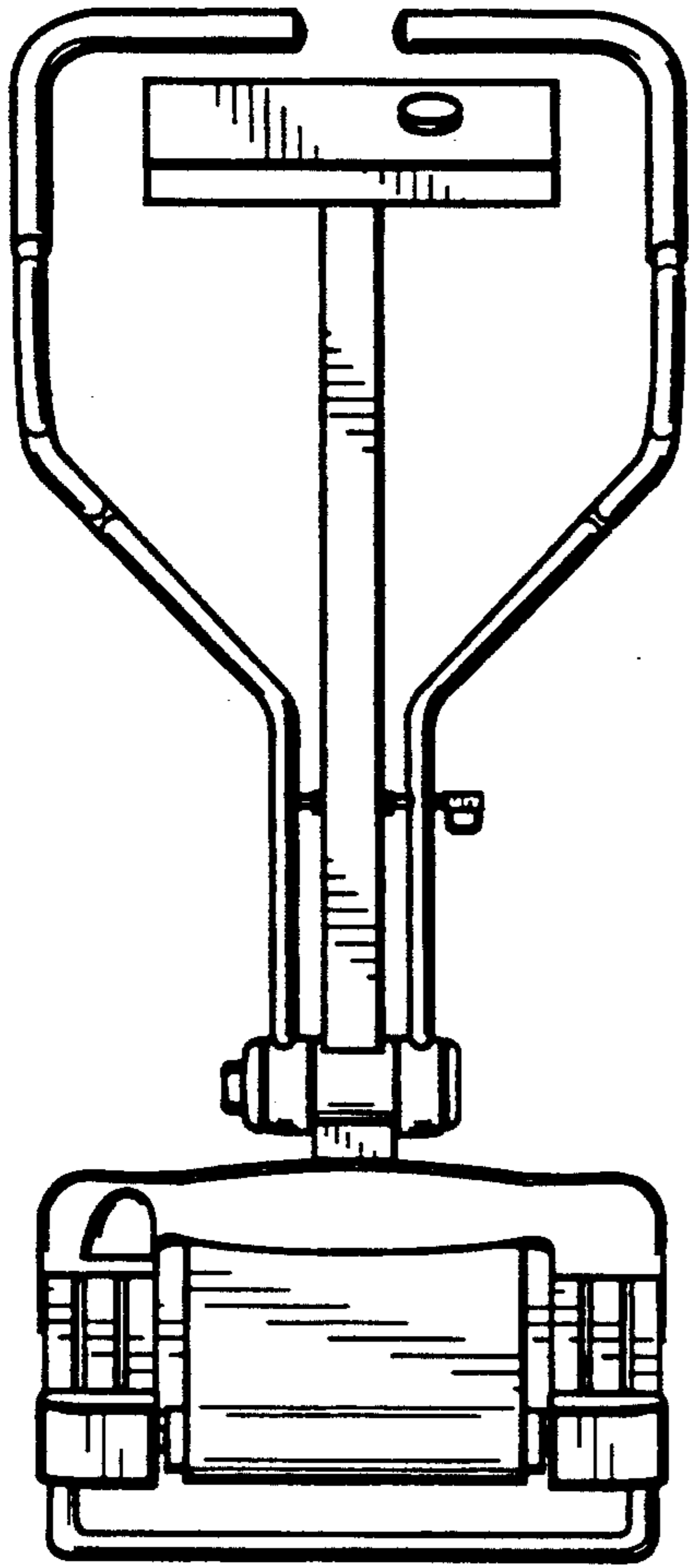


Fig. 4

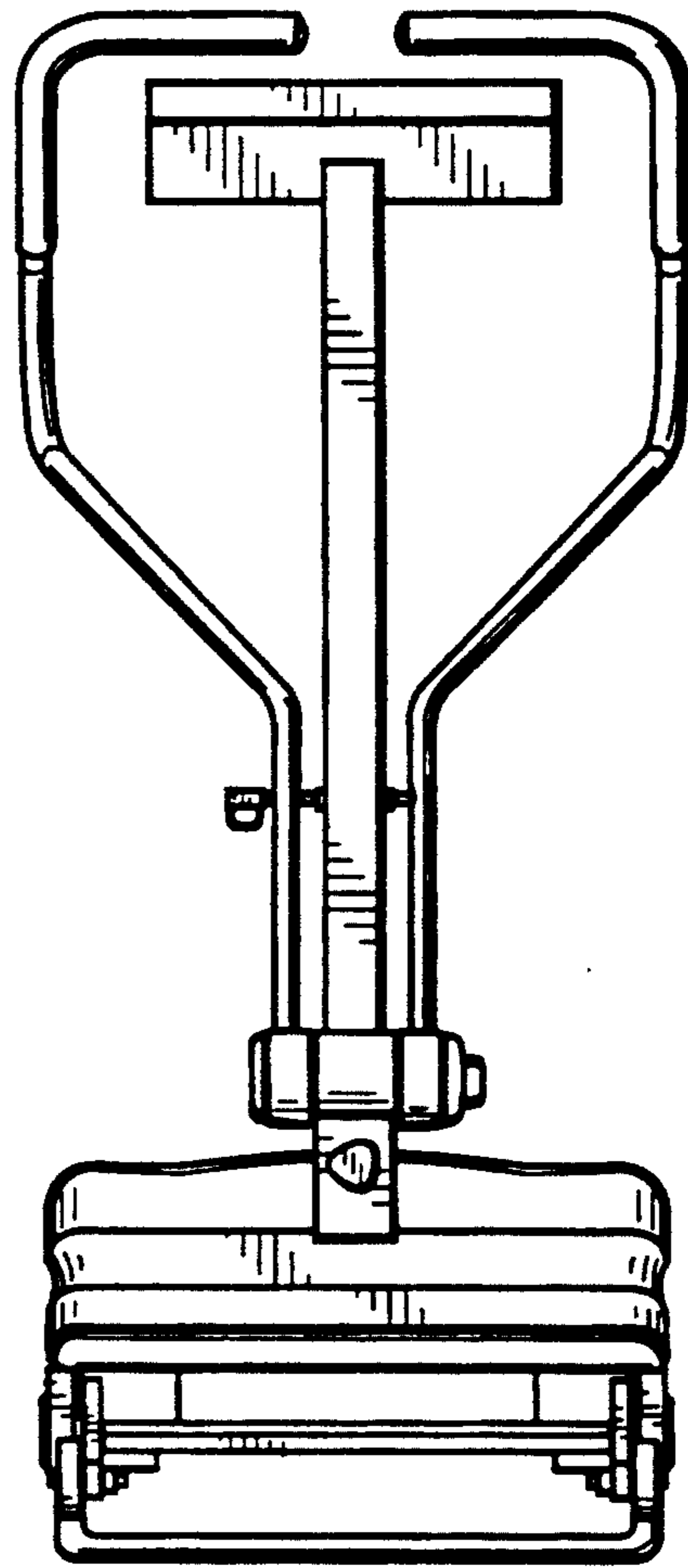


Fig. 5

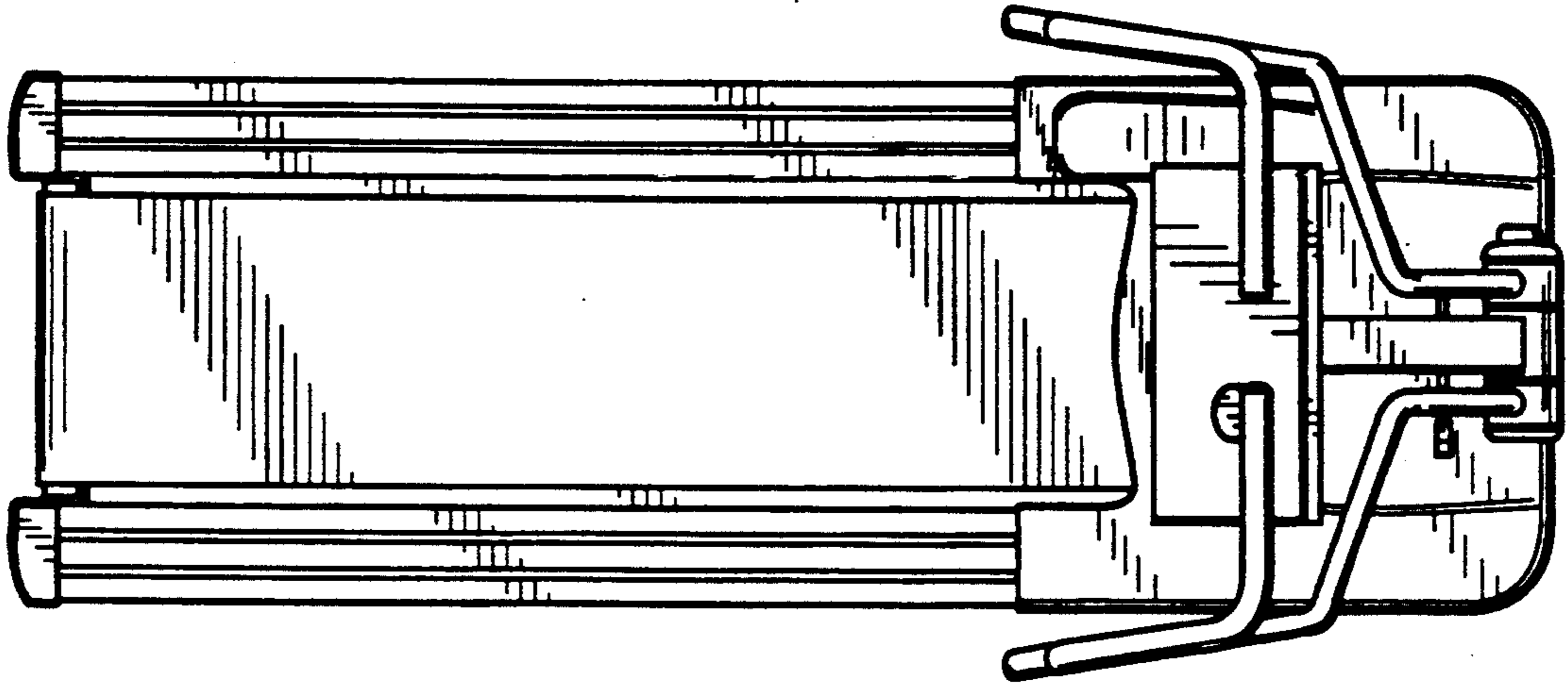


Fig. 6

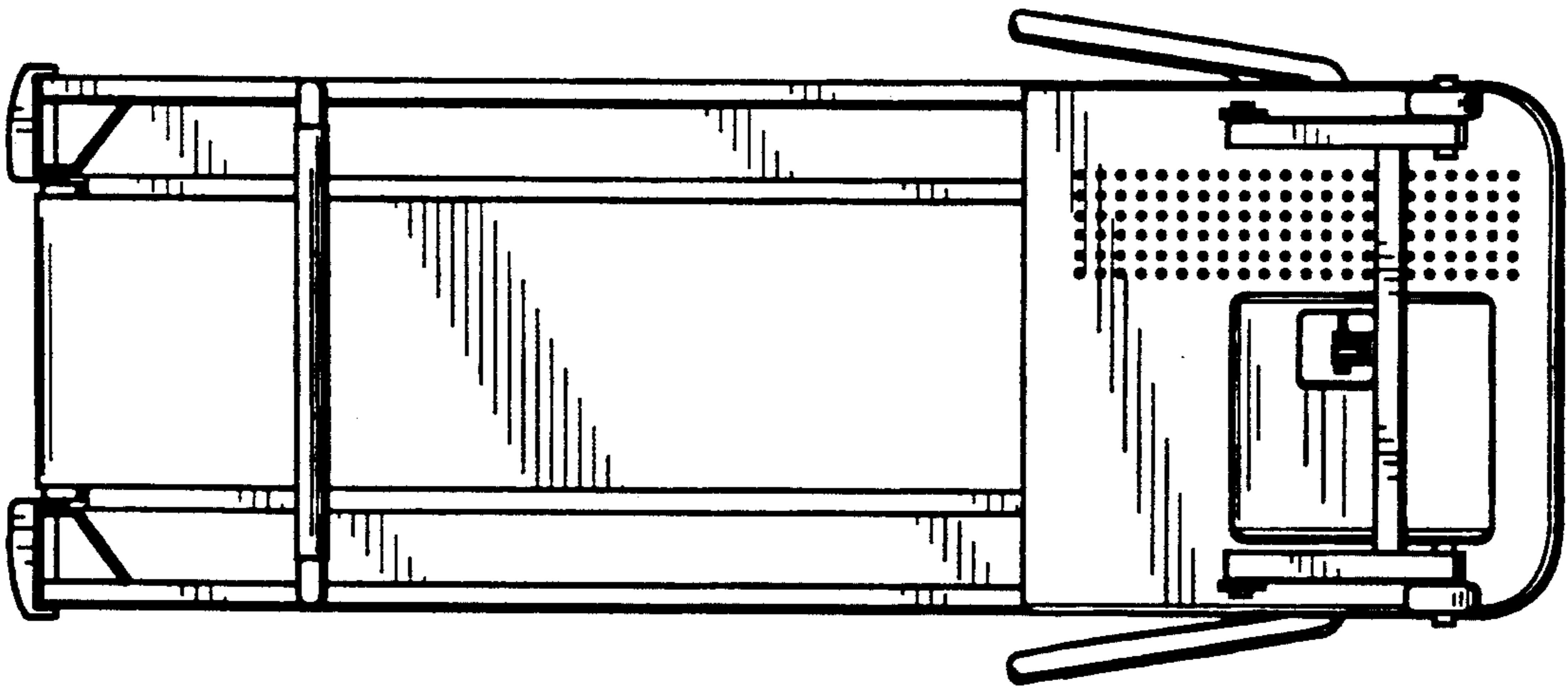


Fig. 7

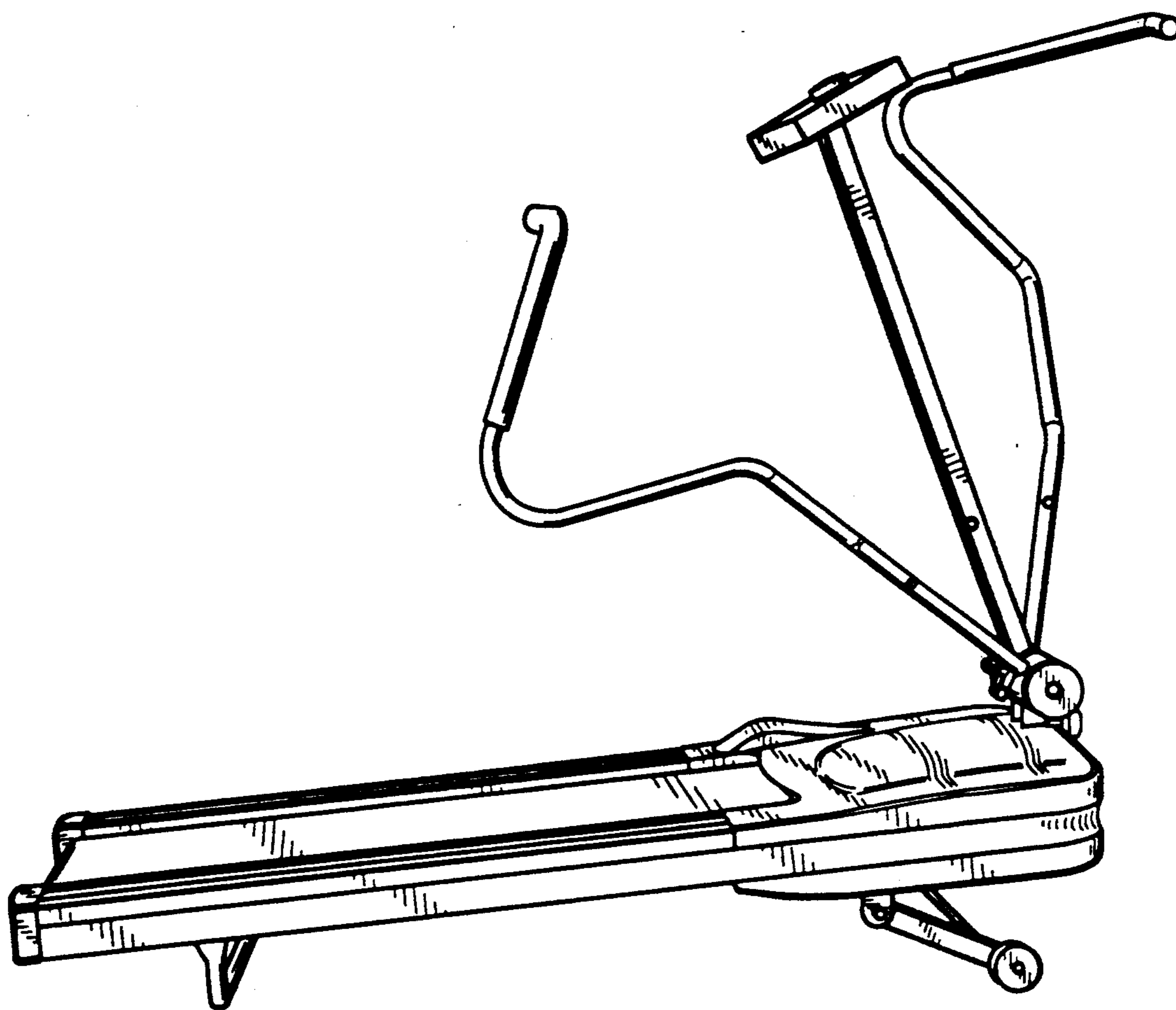


Fig. 8