



US00D344556S

United States Patent [19]

Liu

[11] Patent Number: **Des. 344,556**

[45] Date of Patent: **** Feb. 22, 1994**

[54] **WATER PISTOL**

[75] Inventor: **Wong S. Liu, Kowloon, Hong Kong**

[73] Assignee: **Arco Toys, Ltd., Kowloon, Hong Kong**

[**] Term: **14 Years**

[21] Appl. No.: **951,694**

[22] Filed: **Sep. 24, 1992**

[52] U.S. Cl. **D21/147**

[58] Field of Search **446/267, 473; 222/78, 222/79; 239/211, 337, 329, 373; D21/145, 146, 147; D23/225**

D. 260,667	9/1981	McAlpin	D21/147
D. 318,309	7/1991	D'Andrade	D21/147
5,074,437	12/1991	D'Andrade	222/79
5,150,819	9/1992	Johnson	222/79

Primary Examiner—Bernard Ansher
Assistant Examiner—R. Barkai
Attorney, Agent, or Firm—Abelman Frayne & Schwab

[57] CLAIM

The ornamental design for a water pistol, as shown and described.

DESCRIPTION

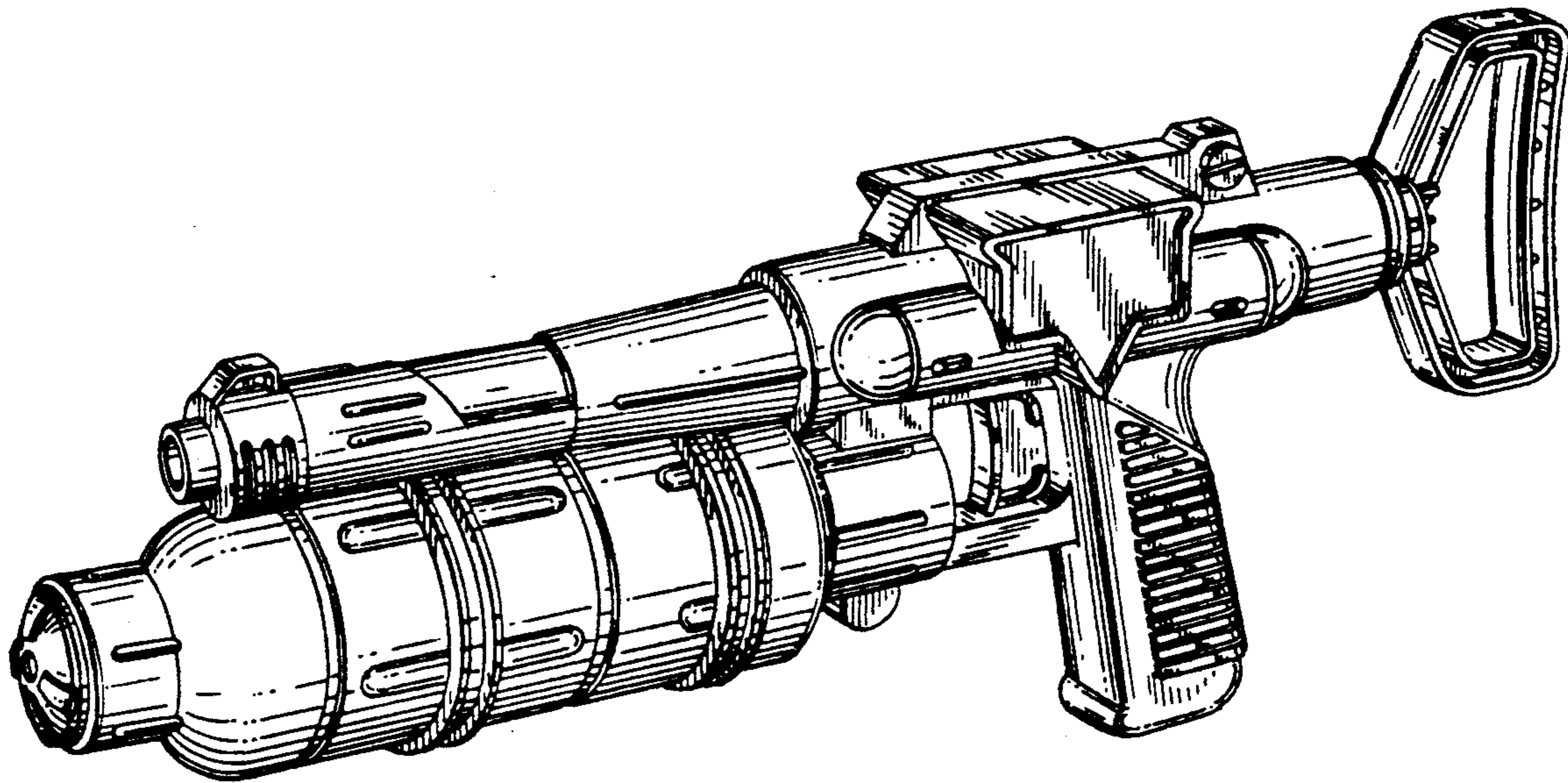
FIG. 1 is a top, front, right side perspective view; FIG. 2 is a left side view thereof; FIG. 3 is a top plan view thereof; FIG. 4 is a right side view thereof; FIG. 5 is a front view thereof; FIG. 6 is a rear view thereof; and, FIG. 7 is a bottom view thereof.

[56]

References Cited

U.S. PATENT DOCUMENTS

D. 163,147	5/1951	Smith	D23/225
D. 199,854	12/1964	Constan	D21/146
D. 205,231	7/1966	Blumenthal	D21/146



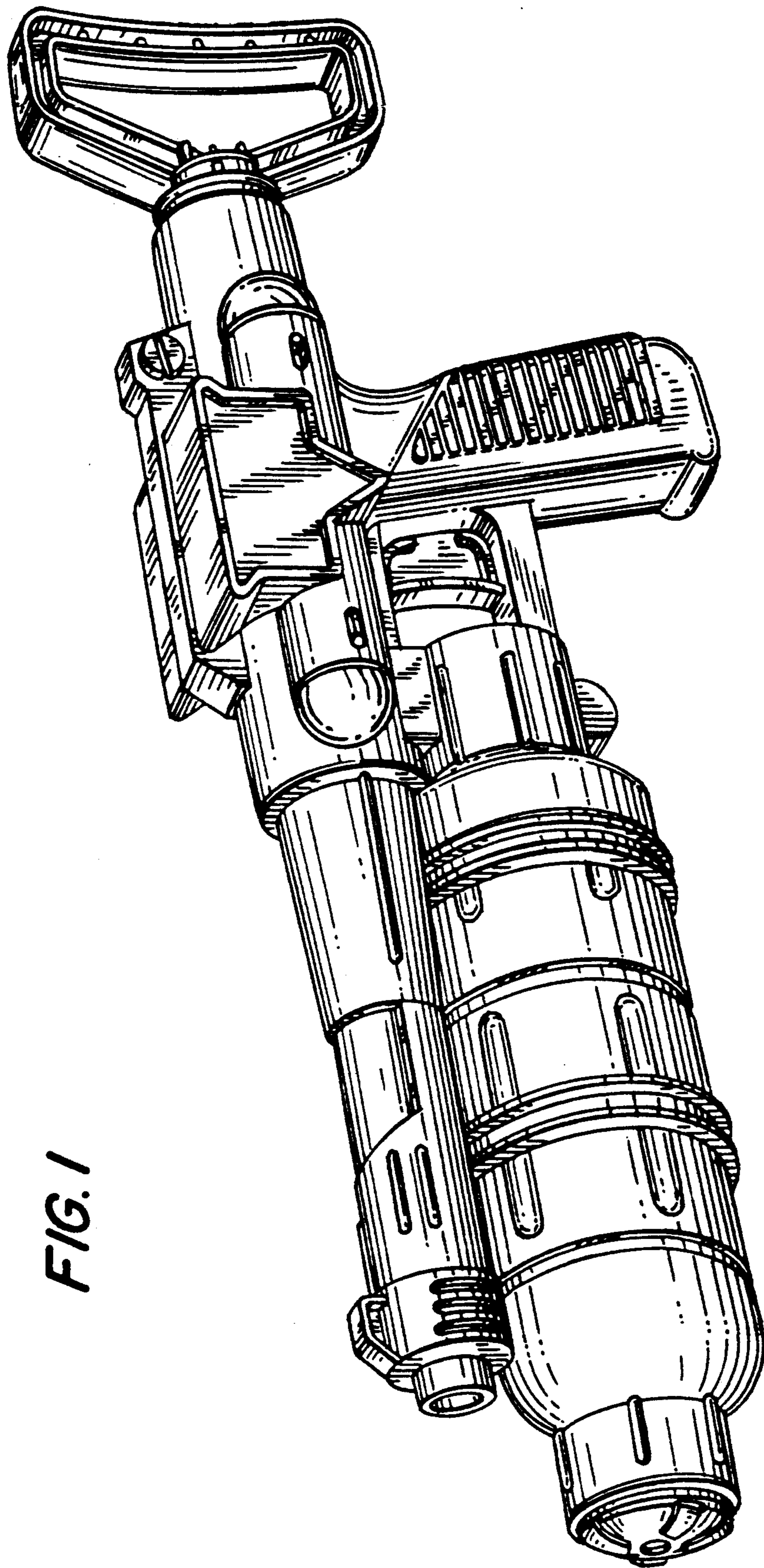


FIG. 1

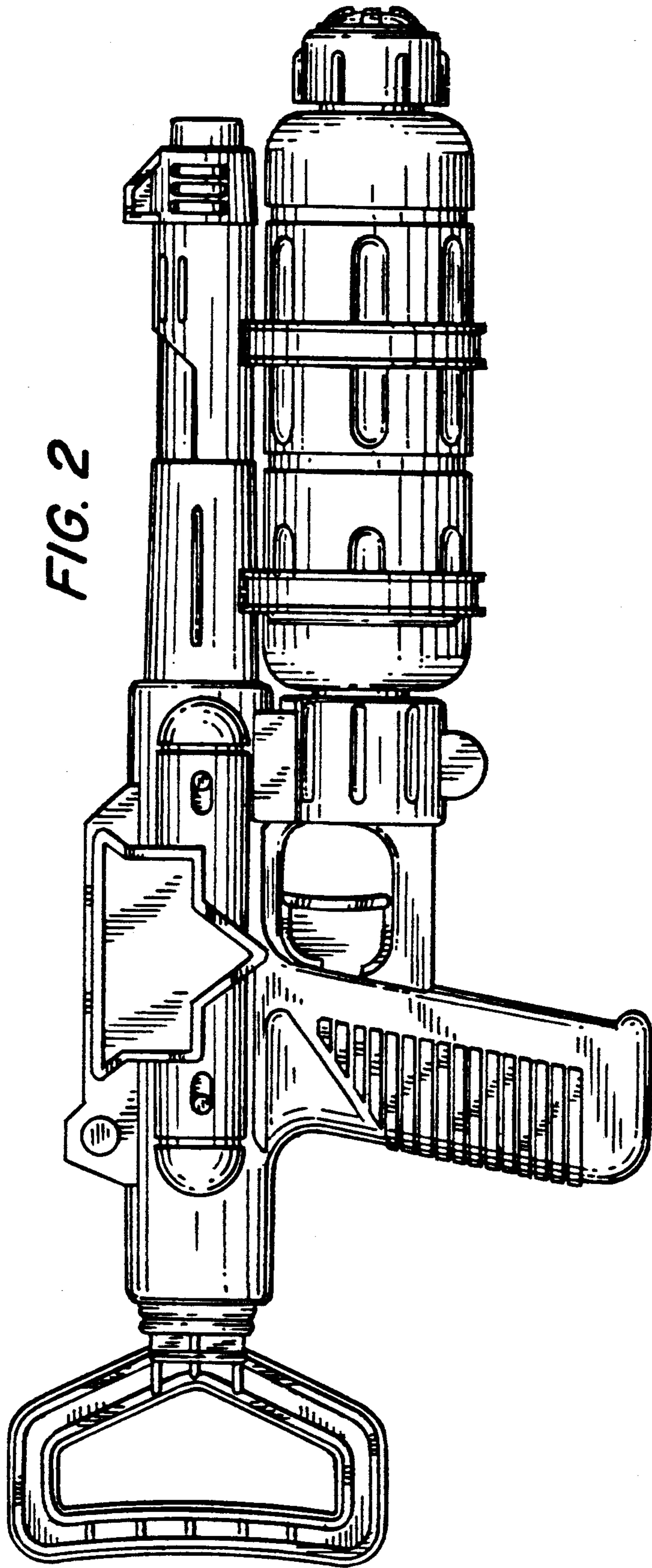


FIG. 3

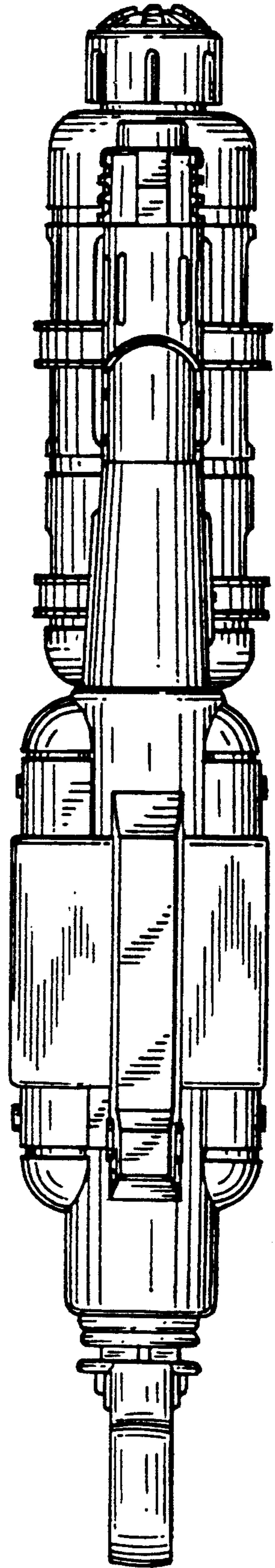


FIG. 4

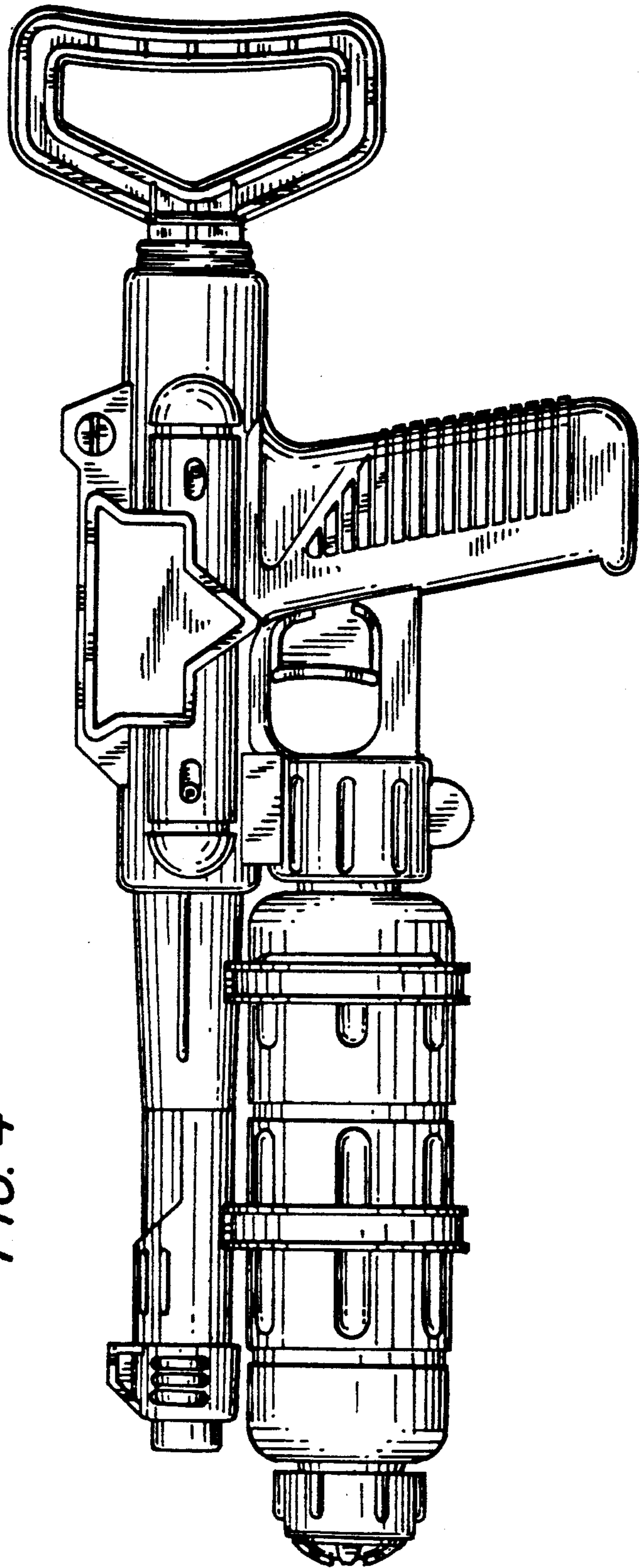


FIG. 7

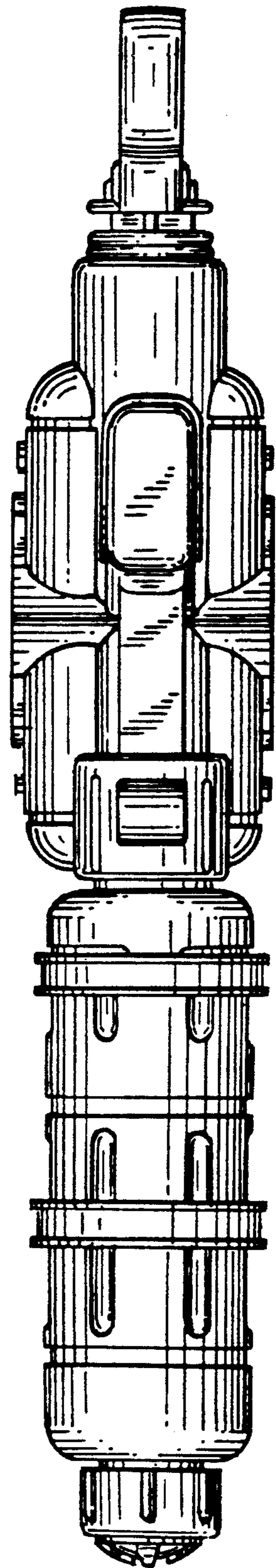


FIG. 5

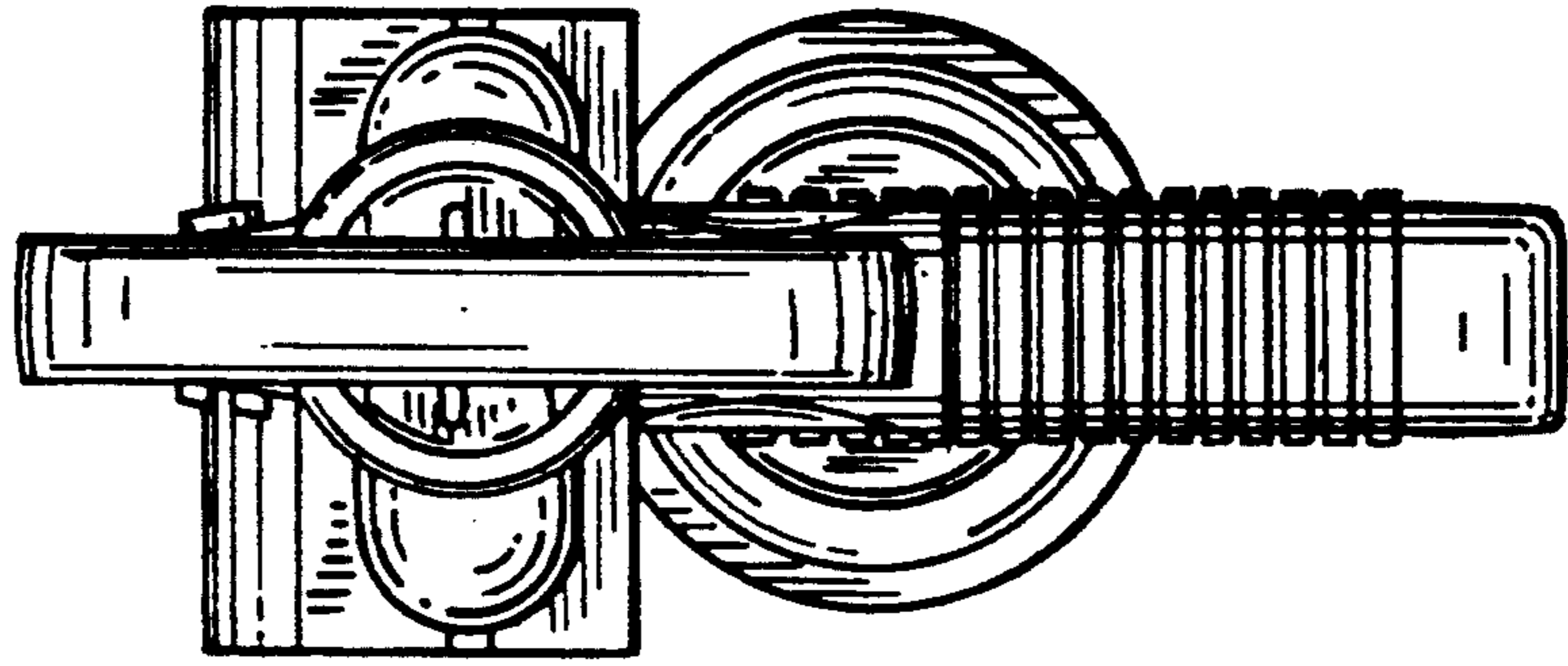
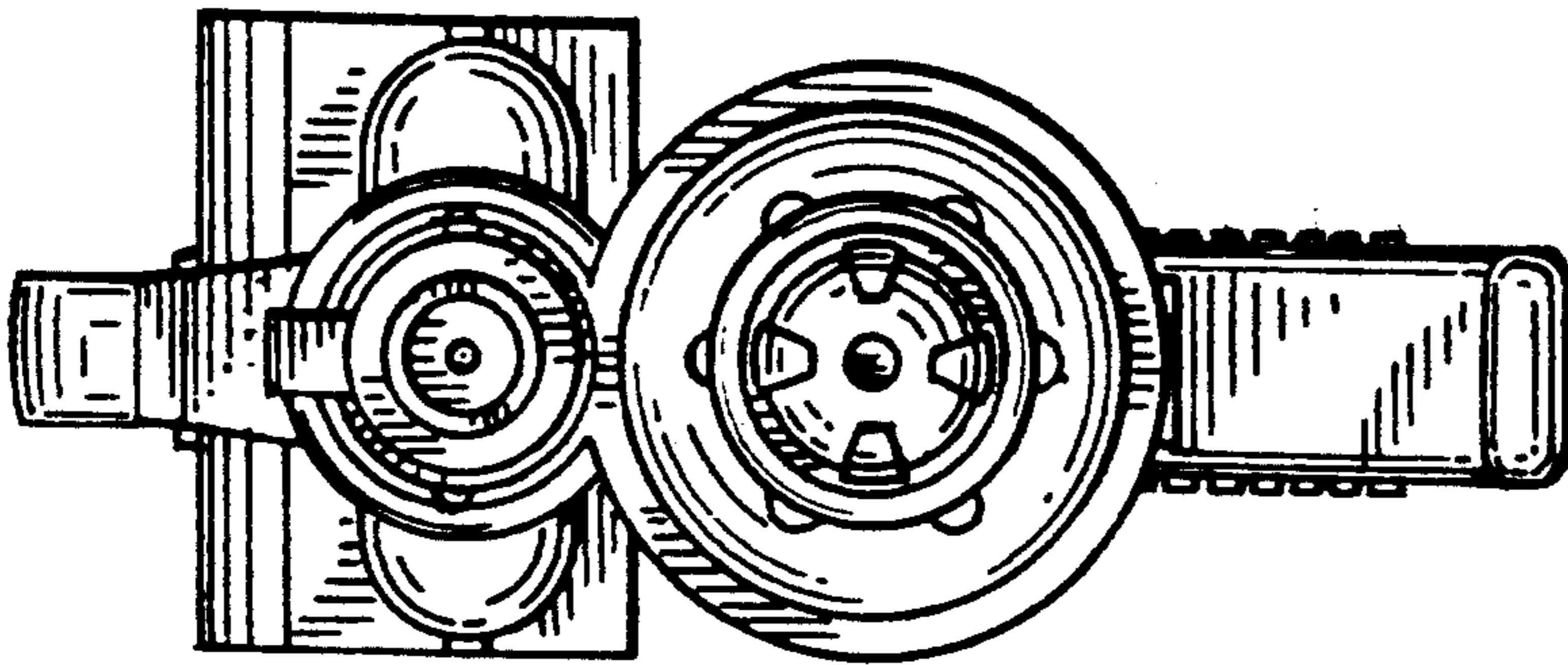


FIG. 7