



US00D344555S

# United States Patent [19]

[11] Patent Number: **Des. 344,555**

Ruszkai

[45] Date of Patent: \*\* Feb. 22, 1994

[54] **RAIL ELEMENT FOR A TOY TRAIN SET**

- [75] Inventor: **Ede F. Ruszkai**, Kobenhavn N, Denmark
- [73] Assignee: **Interlego A.G.**, Baar, Switzerland
- [\*\*] Term: **14 Years**
- [21] Appl. No.: **1,797**
- [22] Filed: **Nov. 24, 1992**
- [52] U.S. Cl. .... **D21/143; D21/108**
- [58] Field of Search ..... **446/444, 445, 476; 238/10 E; D21/108, 143**

[56] **References Cited**

**U.S. PATENT DOCUMENTS**

D. 281,002	10/1985	Olsen	.....	D21/143
D. 296,804	7/1988	Bach	.....	D21/143
2,992,598	7/1961	Einfalt	.....	446/444
3,562,950	2/1971	Genin	.....	446/444
4,516,953	5/1985	Hippely	.....	238/10 E

**OTHER PUBLICATIONS**

Hong Kong Toys Feb. 1991 p. 125 (Design Library).

*Primary Examiner*—Bernard Ansher

*Assistant Examiner*—R. Barkai

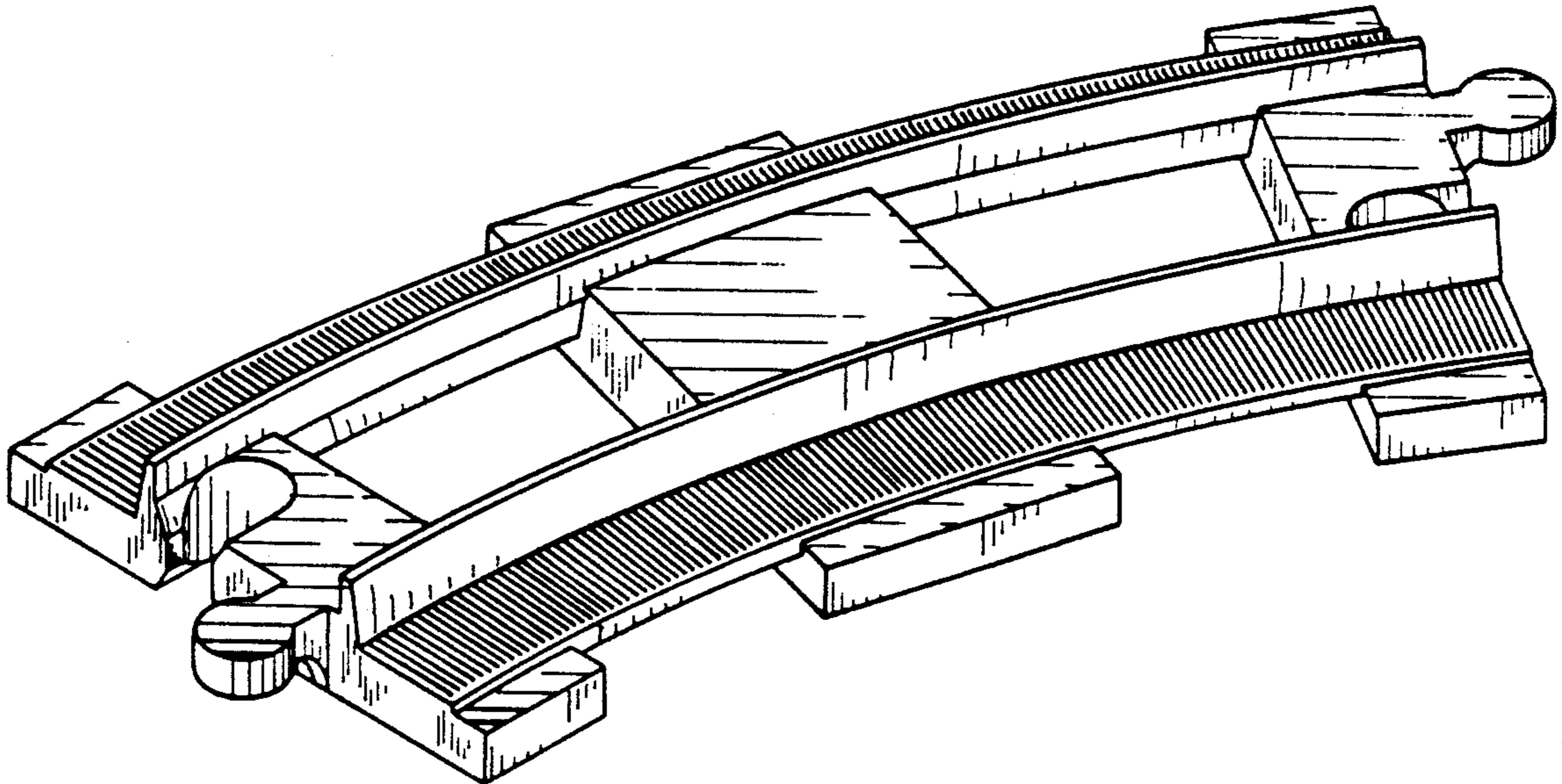
*Attorney, Agent, or Firm*—Kane, Dalsimer, Sullivan, Kurucz, Levy, Eisele and Richard

[57] **CLAIM**

The ornamental design for a rail element for a toy train set, as shown and described.

**DESCRIPTION**

FIG. 1 is a top perspective view of the rail element for a toy train set showing my new design;  
 FIG. 2 is a right side elevational view thereof;  
 FIG. 3 is a front elevational view thereof;  
 FIG. 4 is a left side elevational view thereof;  
 FIG. 5 is a rear elevational view thereof;  
 FIG. 6 is a top plan view thereof; and,  
 FIG. 7 is a bottom plan view thereof.



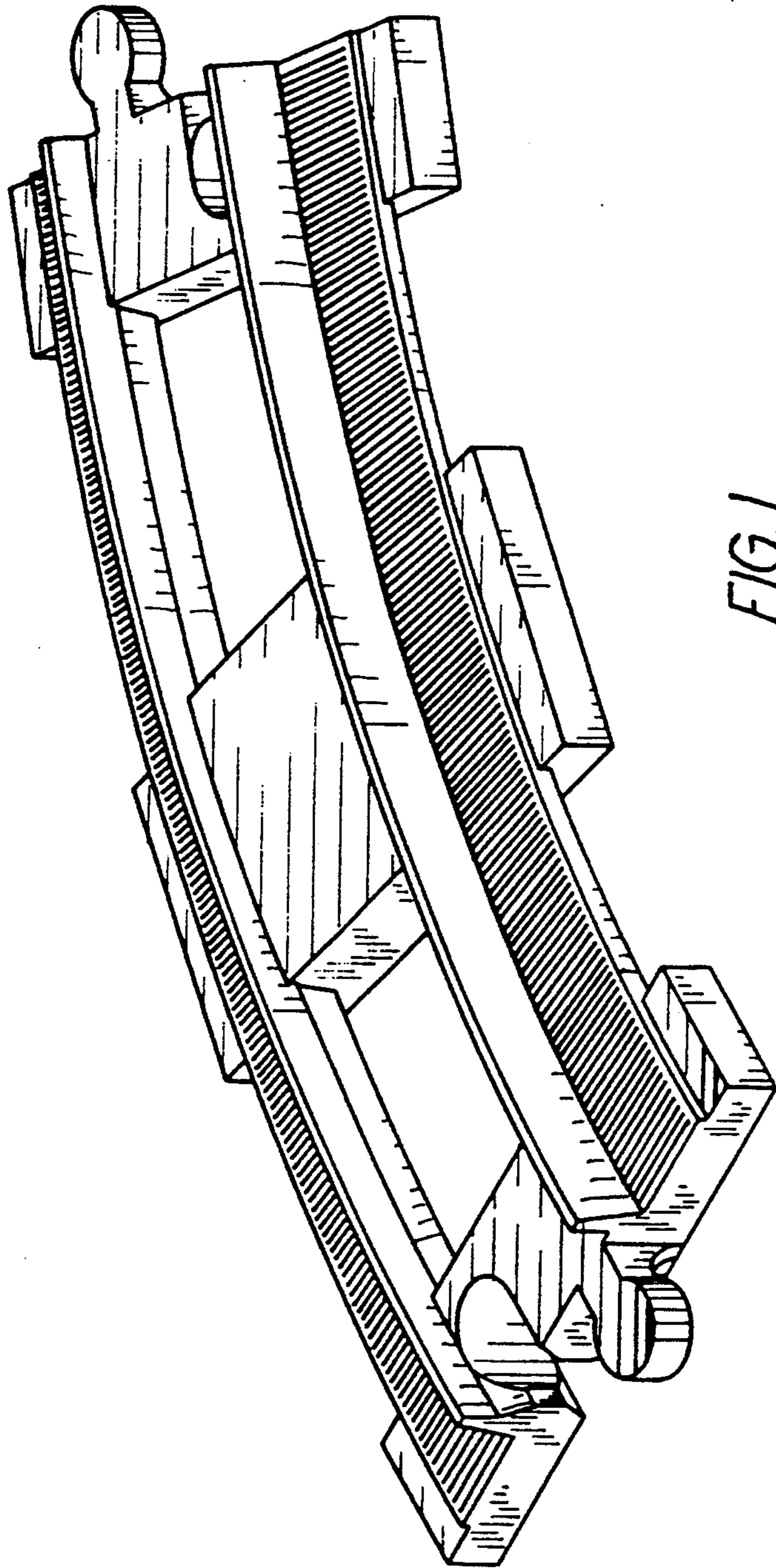


FIG. 1

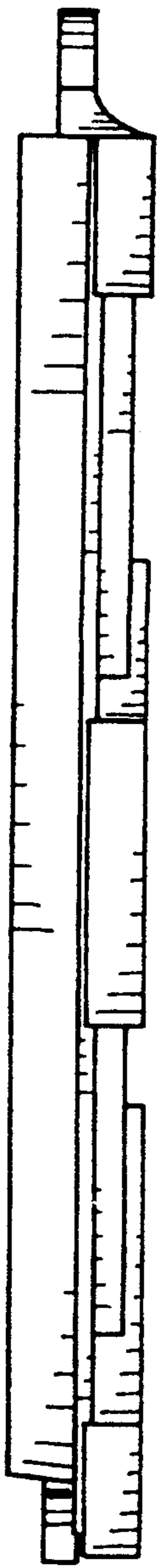


FIG. 2

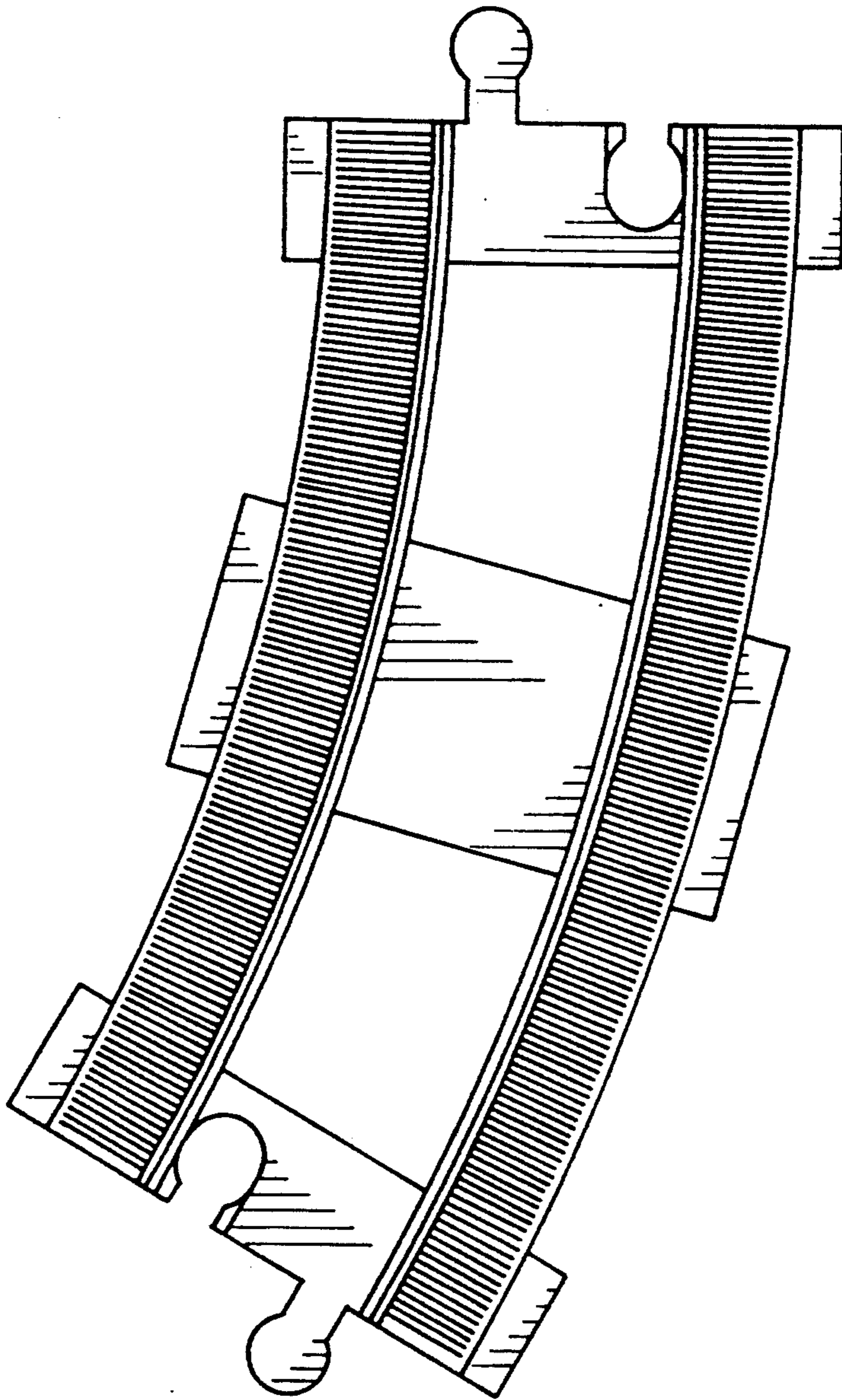


FIG. 6

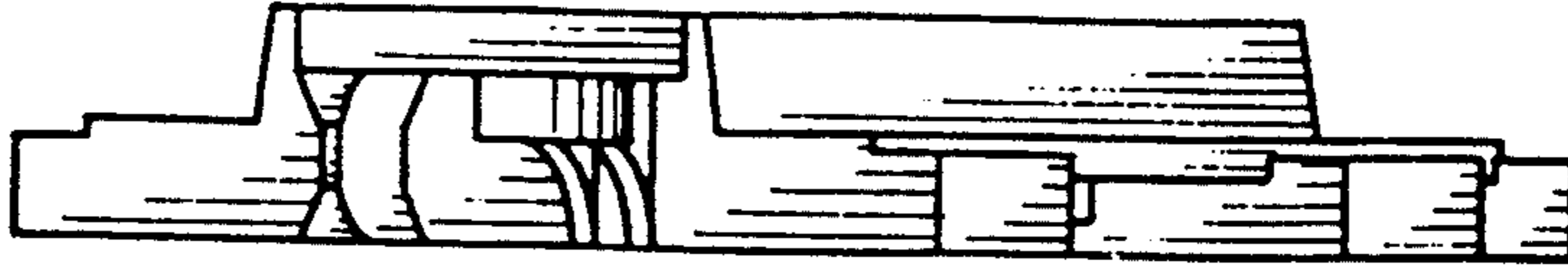


FIG. 5



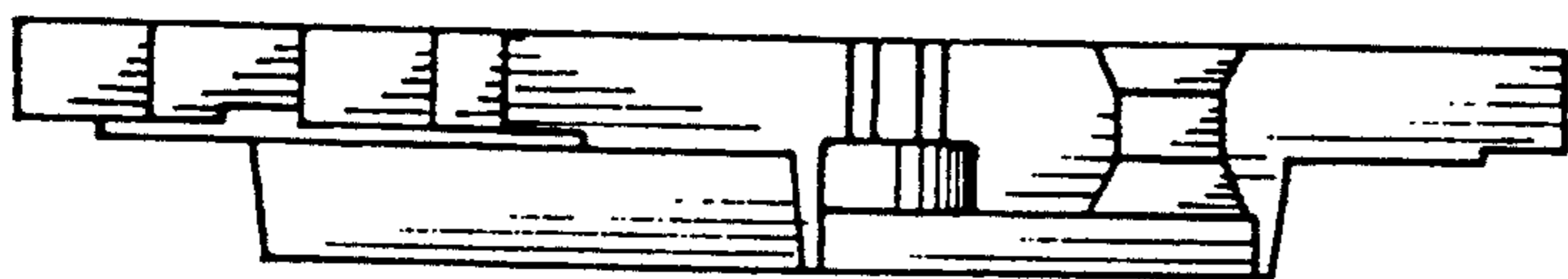


FIG. 3

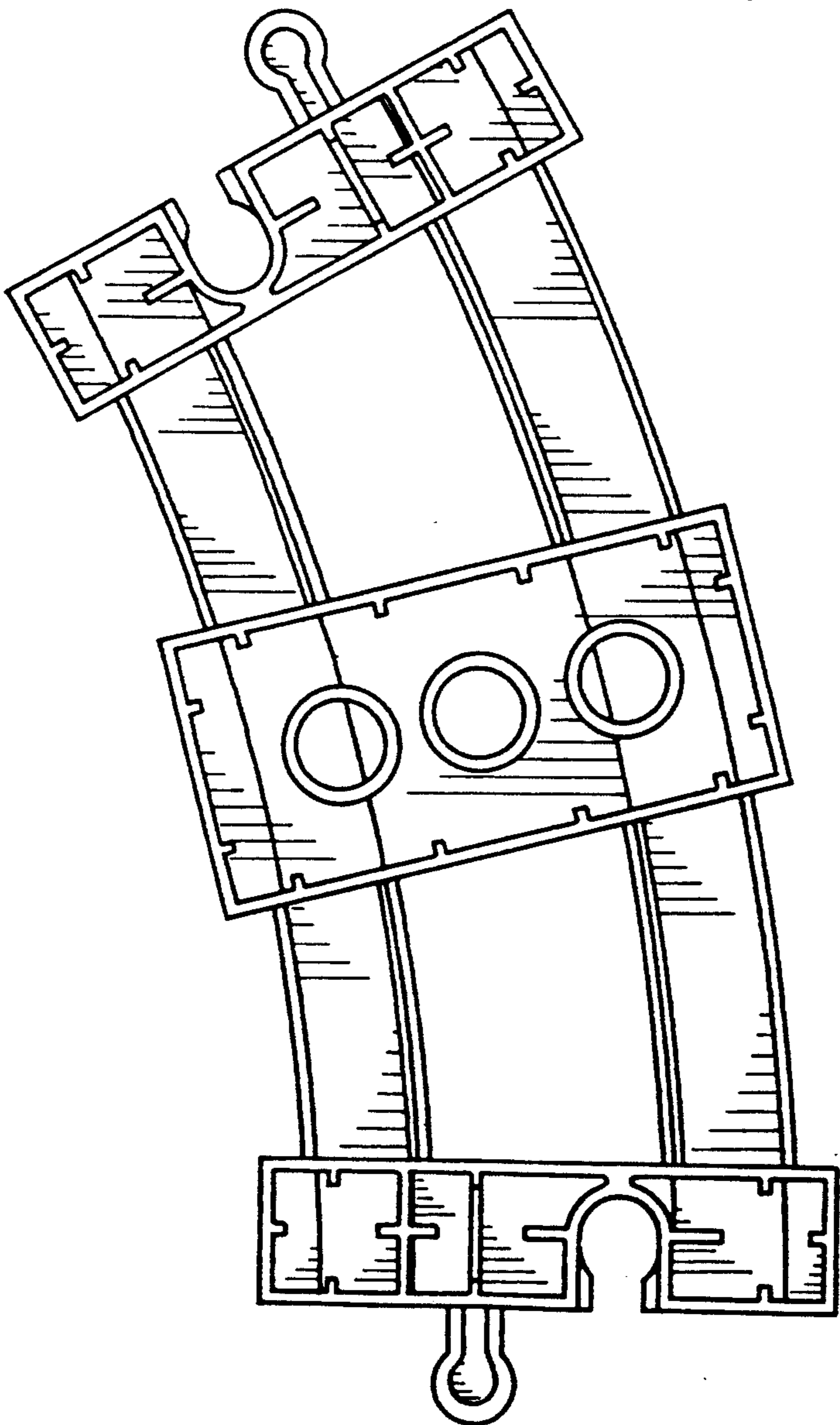


FIG. 7

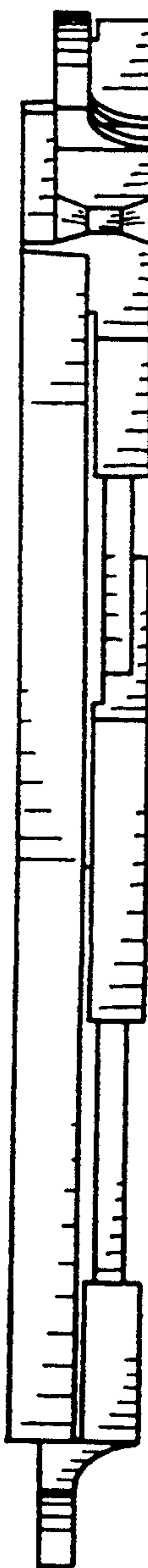


FIG. 4