



US00D344554S

United States Patent [19] Ruszkai

[11] Patent Number: Des. 344,554

[45] Date of Patent: ** Feb. 22, 1994

[54] LEVEL CROSSING FOR A TOY TRAIN SET

[75] Inventor: Ede F. Ruszkai, Copenhagen, Denmark

[73] Assignee: Interlego A.G., Baar, Switzerland

[**] Term: 14 Years

[21] Appl. No.: 1,795

[22] Filed: Nov. 24, 1992

[52] U.S. Cl. D21/143; D21/108

[58] Field of Search 446/444, 445, 476; 238/10 E; D21/108, 143

[56] References Cited

U.S. PATENT DOCUMENTS

D. 296,805	7/1988	Mikkelsen	D21/143
D. 332,640	1/1993	Pagel	D21/108
2,992,598	7/1961	Einfalt	446/444
3,562,950	2/1971	Genin	446/444
4,516,950	5/1985	Hippely	238/10 E
5,131,881	7/1992	Okaga	446/445

OTHER PUBLICATIONS

Hong Kong Toys, Feb. 1991, p. 125.

Primary Examiner—Bernard Ansher

Assistant Examiner—R. Barkai

Attorney, Agent, or Firm—Kane, Dalsimer, Sullivan, Kurucz, Levy, Eisele and Richard

[57] CLAIM

The ornamental design for a level crossing for a toy train set, as shown and described.

DESCRIPTION

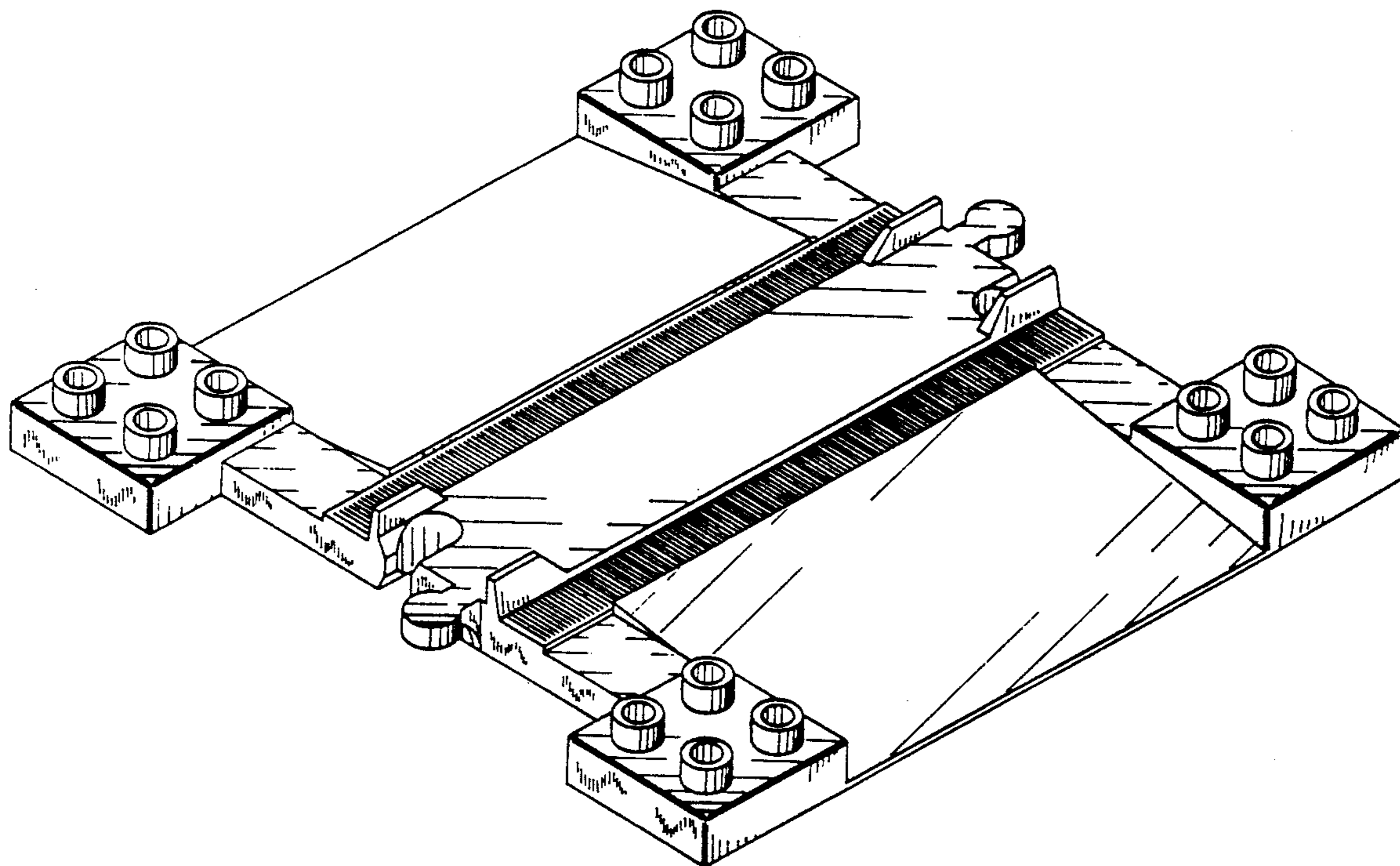
FIG. 1 is a top perspective view of the level crossing for a toy train set showing my new design;

FIG. 2 is a front elevational view thereof, the rear being identical;

FIG. 3 is a side elevational view thereof, the other side being identical;

FIG. 4 is a top plan view thereof; and,

FIG. 5 is a bottom plan view thereof.



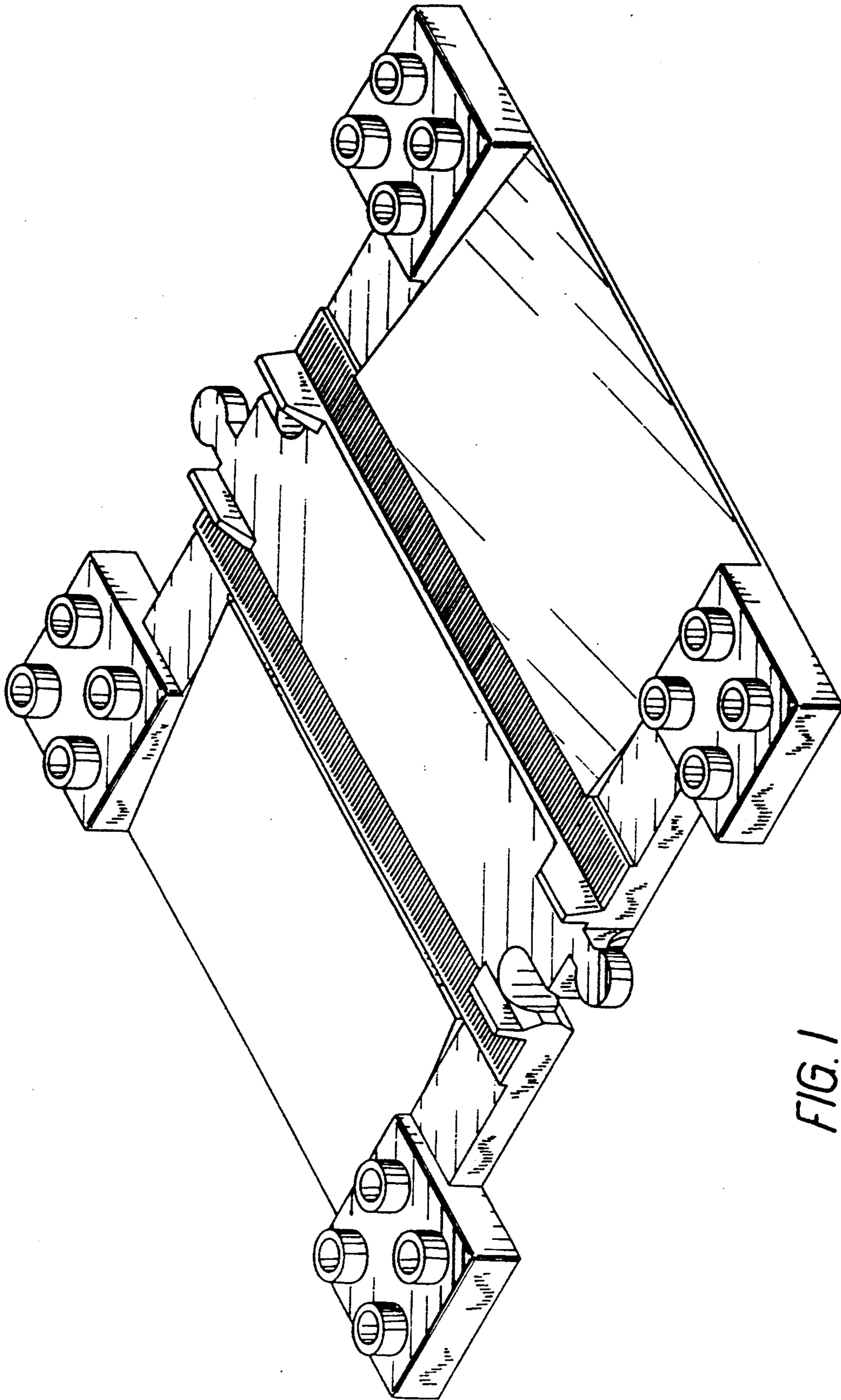


FIG. 1



FIG. 2

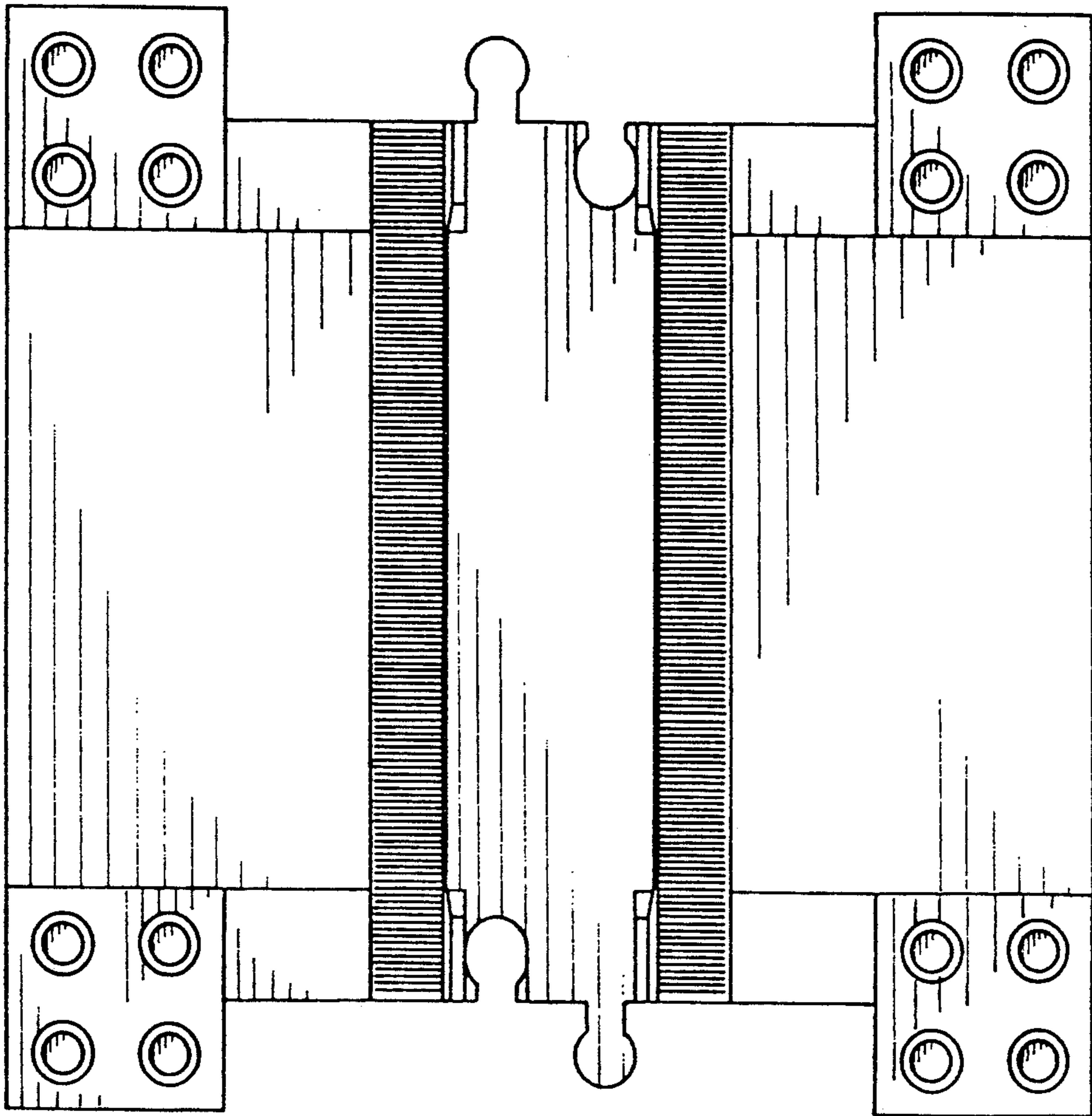


FIG. 4

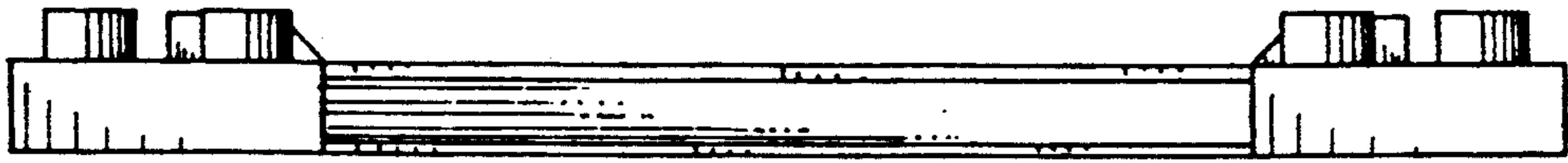


FIG. 3

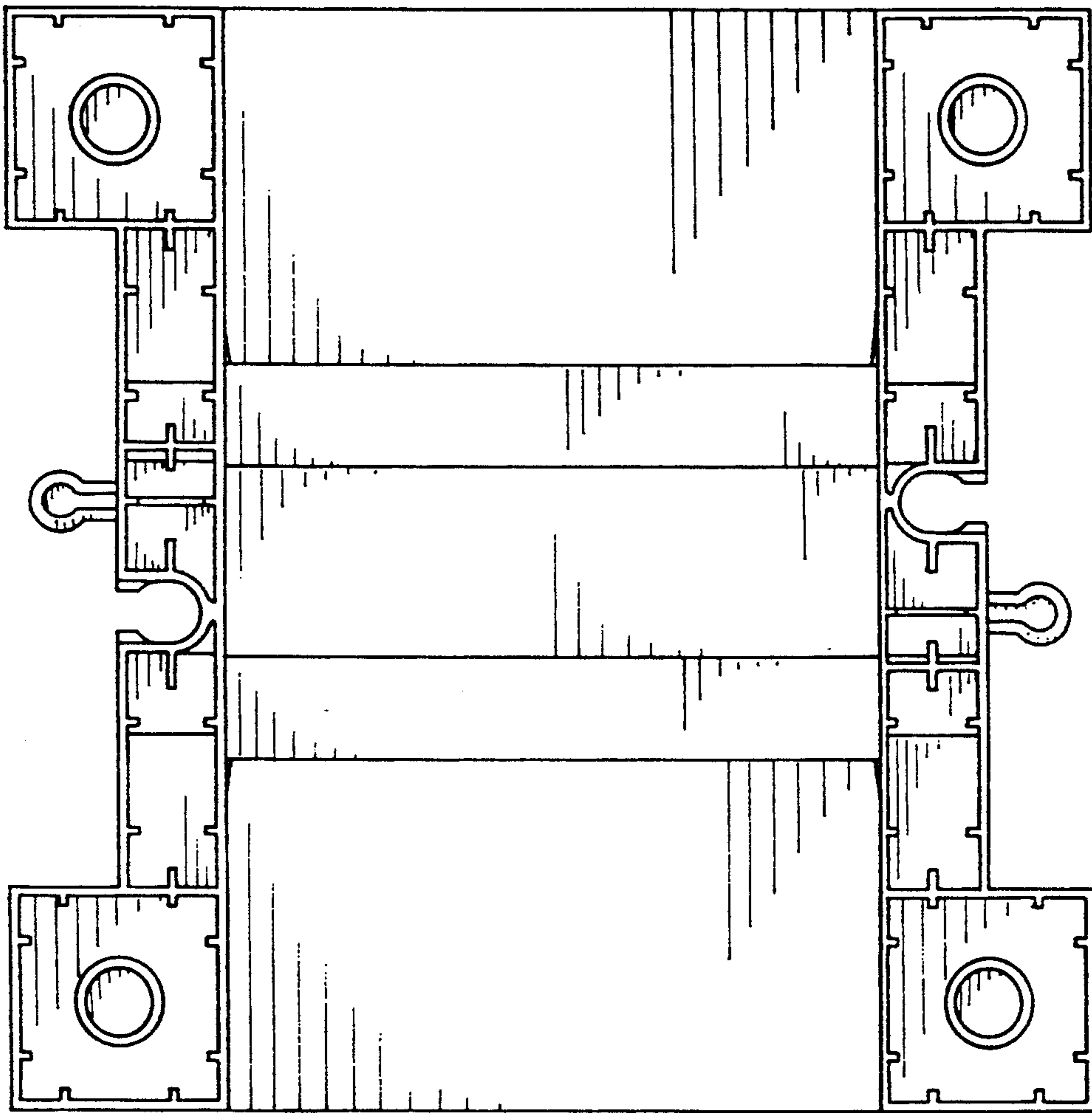


FIG. 5