



US00D344552S

**United States Patent** [19]  
**Berggreen**

[11] **Patent Number: Des. 344,552**

[45] **Date of Patent: \*\* Feb. 22, 1994**

[54] **WHEEL SET FOR A TOY VEHICLE**

3,975,858	8/1976	Much	446/95
4,619,625	10/1986	Seki	446/95
4,710,148	12/1987	Nagaoka	446/95
4,993,983	2/1991	Kurita	446/93

[75] **Inventor: Ib H. Berggreen, Rungsted Kyst, Denmark**

[73] **Assignee: Interlego A.G., Baar, Switzerland**

*Primary Examiner*—Bernard Ansher  
*Assistant Examiner*—R. Barkai  
*Attorney, Agent, or Firm*—Kane, Dalsimer, Sullivan, Kurucz, Levy, Eisele, and Richard

[\*\*] **Term: 14 Years**

[21] **Appl. No.: 1,901**

[57] **CLAIM**

[22] **Filed: Nov. 24, 1992**

[52] **U.S. Cl. .... D21/108; D21/141**

The ornamental design for a wheel set for a toy vehicle, as shown and described.

[58] **Field of Search .... 446/88, 93, 95, 120, 446/128, 470, 471, 901; D21/108, 136, 141**

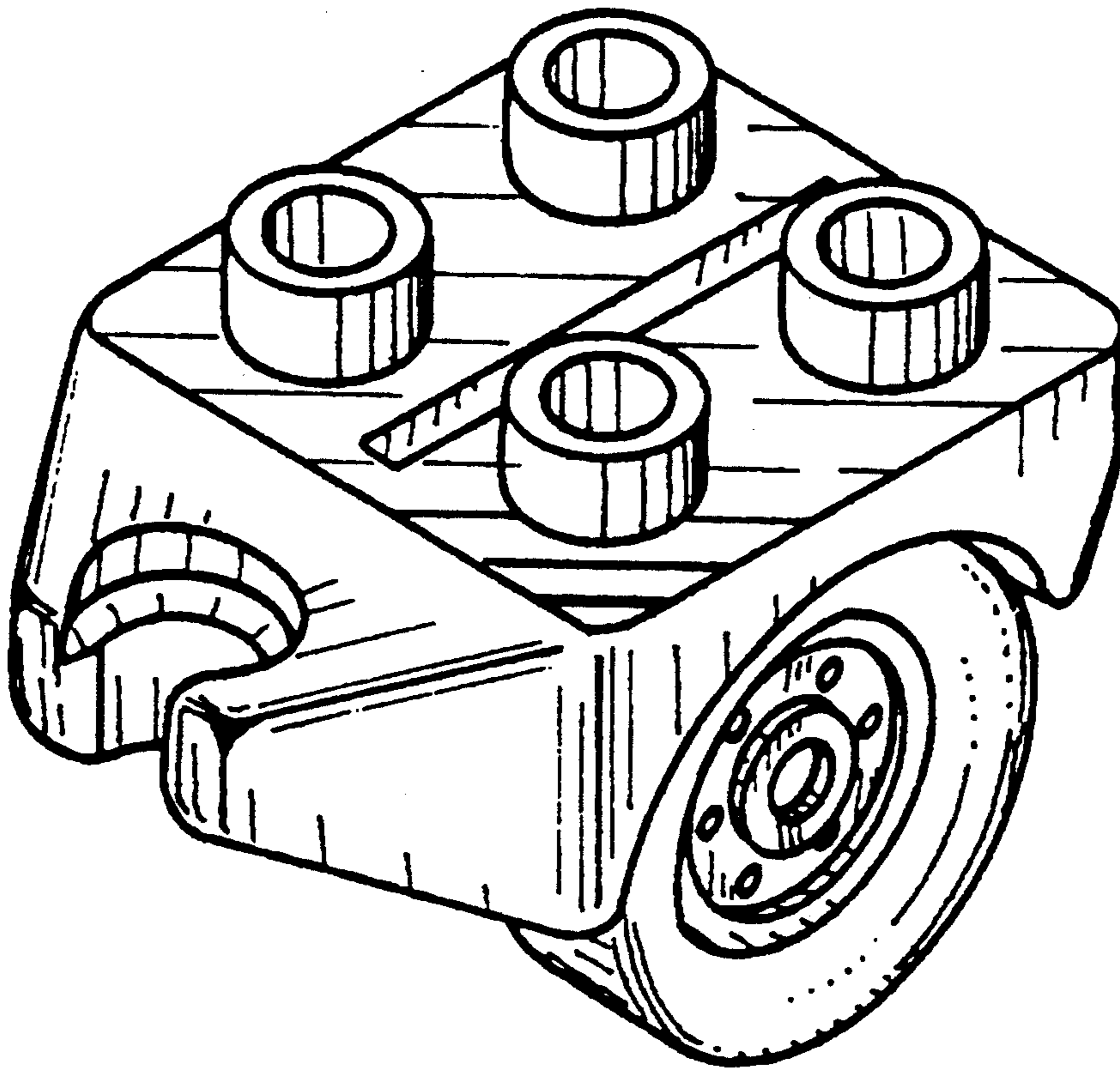
**DESCRIPTION**

[56] **References Cited**

**U.S. PATENT DOCUMENTS**

D. 262,045	11/1981	Nakao	D21/108
D. 281,187	10/1985	Wiese	D21/108
D. 295,642	5/1988	Olsen	D21/108
D. 309,638	7/1990	Meyer	D21/108
D. 331,431	12/1992	Jensen	D21/108

FIG. 1 is a top perspective view of the wheel set for a toy vehicle showing my new design;  
FIG. 2 is a front elevational view thereof;  
FIG. 3 is a side elevational view thereof, the other side being identical;  
FIG. 4 is a rear elevational view thereof;  
FIG. 5 is a top plan view thereof; and,  
FIG. 6 is a bottom plan view thereof.



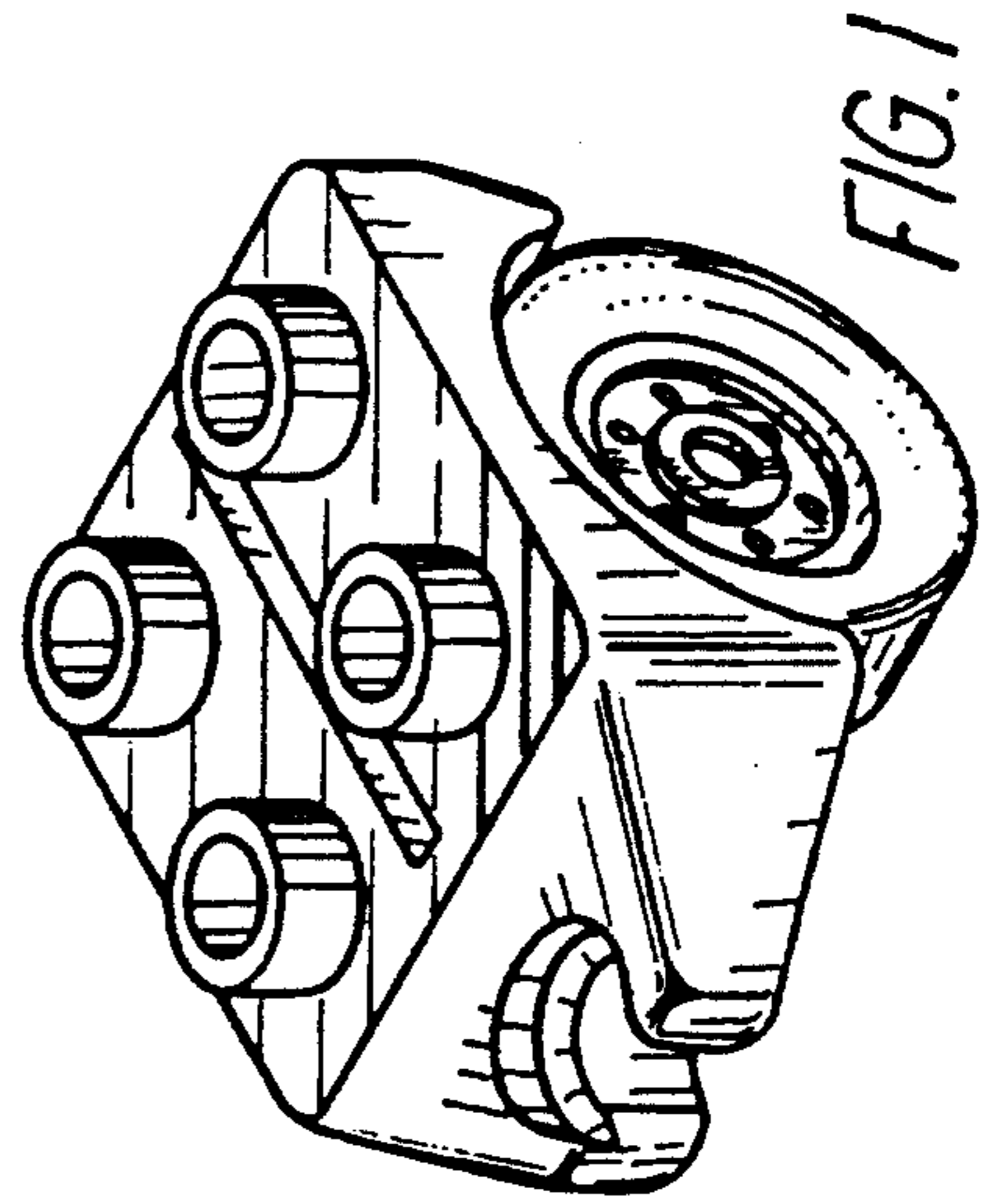


FIG. 1

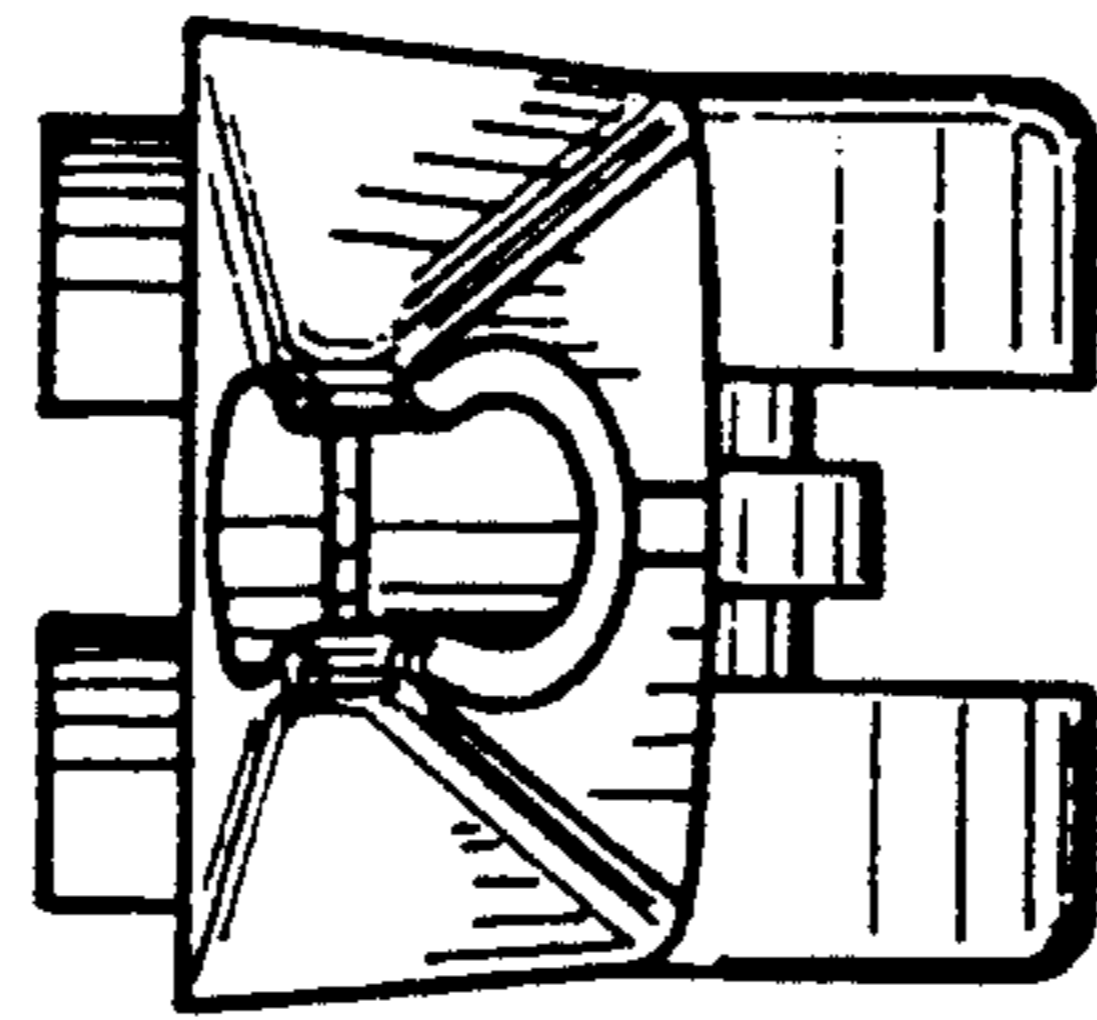


FIG. 2

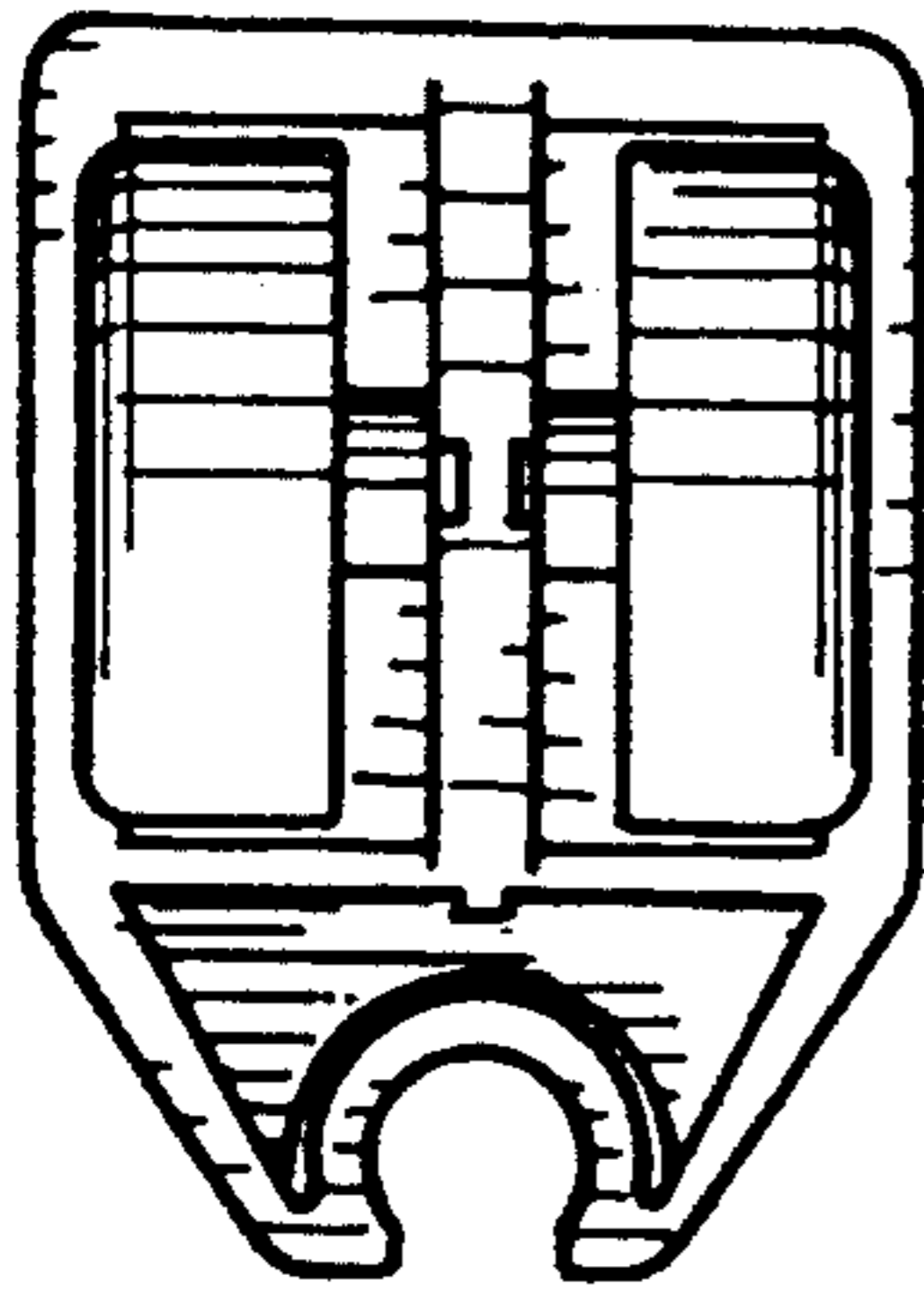


FIG. 3

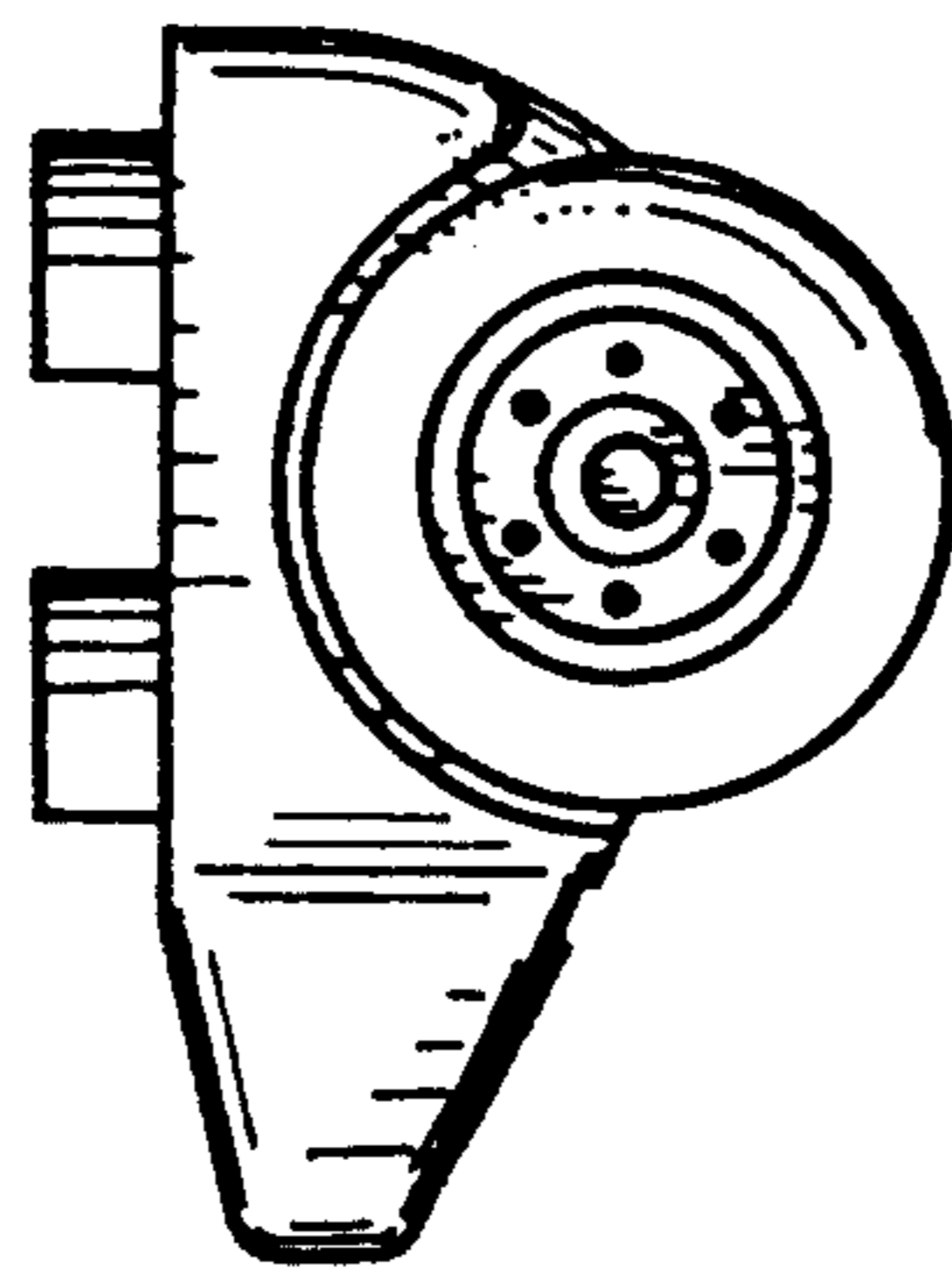


FIG. 4

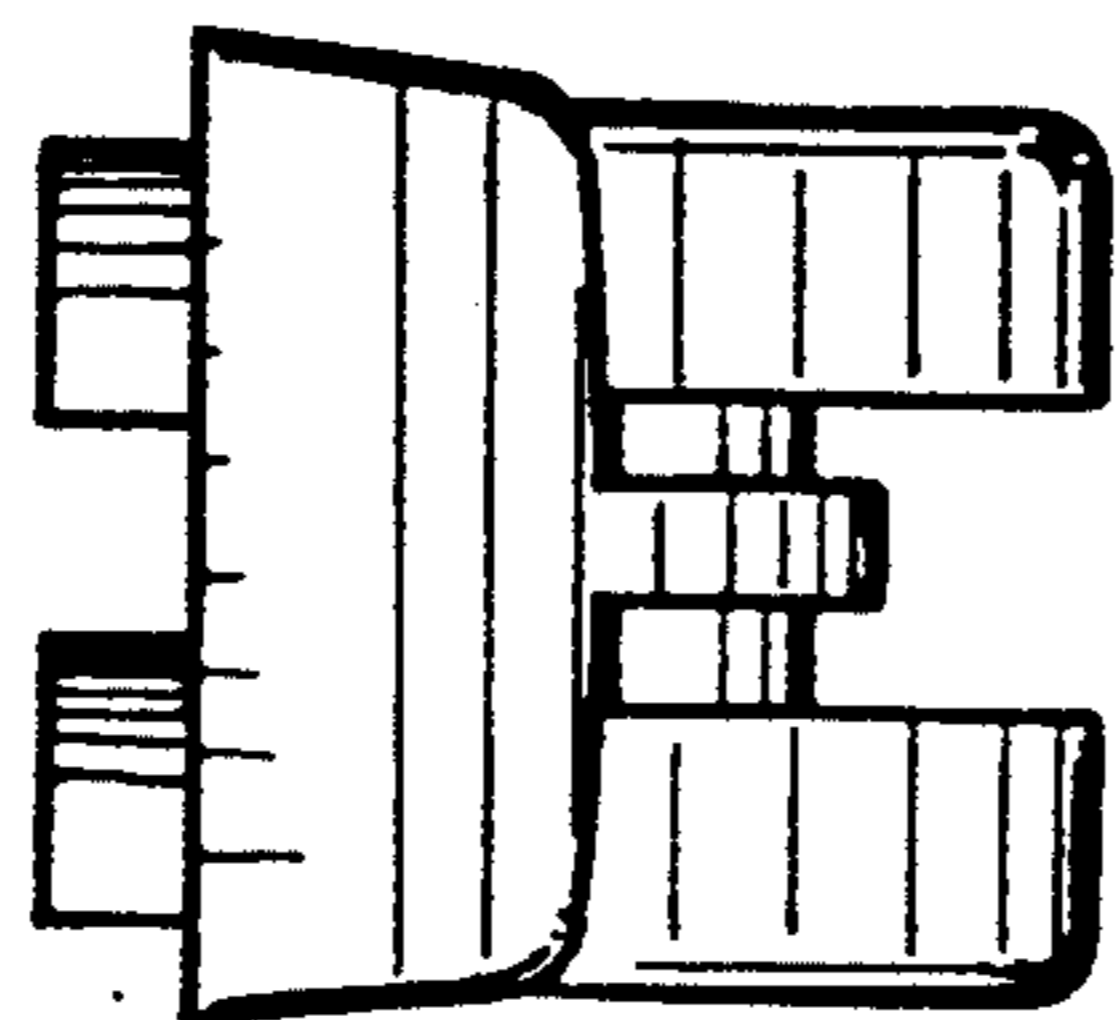


FIG. 5

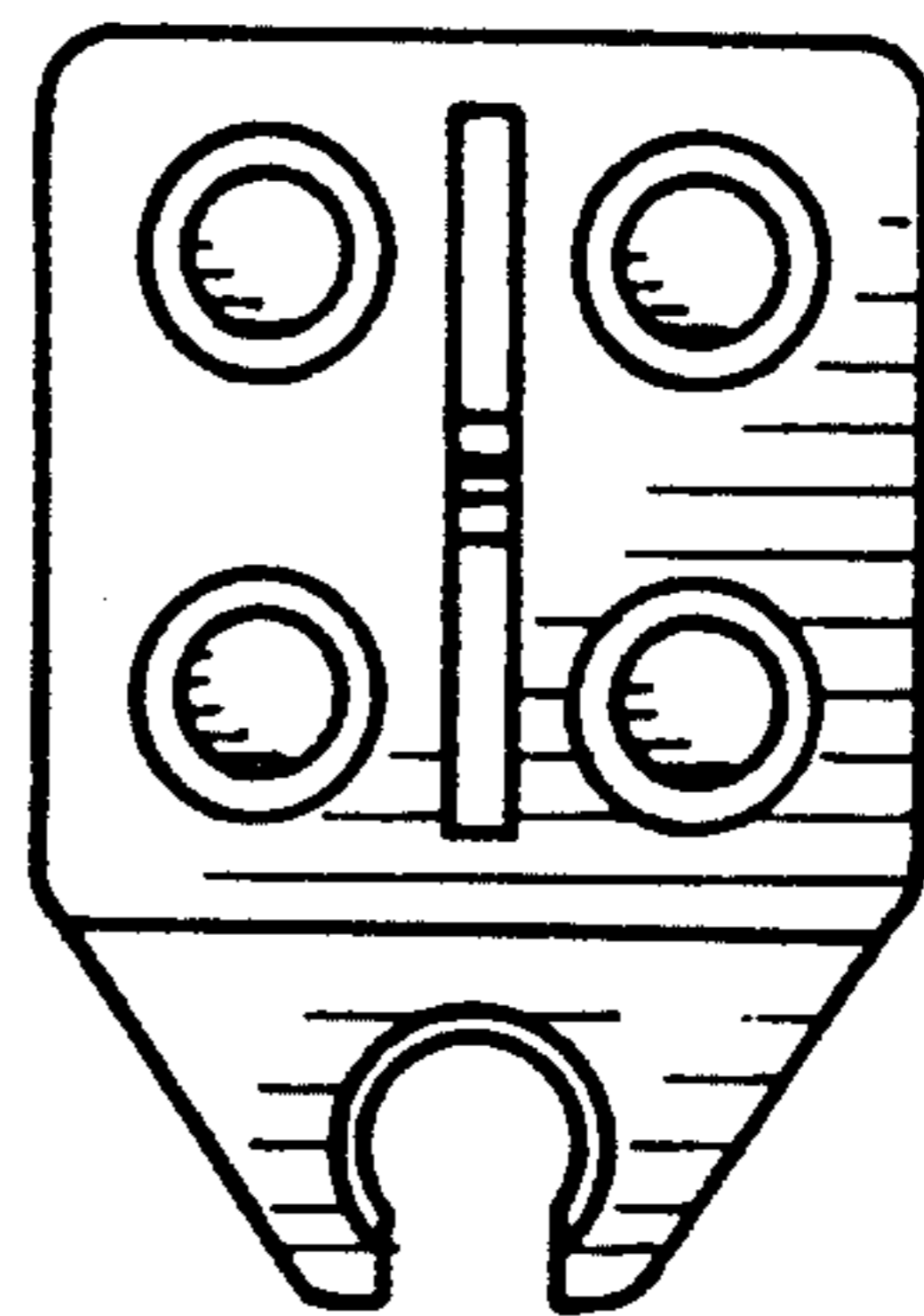


FIG. 6