



US00D344536S

United States Patent [19]

[11] Patent Number: **Des. 344,536**

Lee et al.

[45] Date of Patent: **** Feb. 22, 1994**

[54] **LABEL PRINTER**

[75] Inventors: **David Lee, Glendale; John von Buelow, Northridge, both of Calif.**

[73] Assignee: **Seiko Instruments U.S.A., Inc., Torrance, Calif.**

[**] Term: **14 Years**

[21] Appl. No.: **851,747**

[22] Filed: **Mar. 16, 1992**

[52] U.S. Cl. **D18/19; D18/6**

[58] Field of Search **400/690-694, 400/613, 613.1-613.4, 691.1-691.4; D18/6, 11, 34, 50, 52-55, 19**

- D. 292,709 11/1987 Kosako D18/54
- D. 303,984 10/1989 Tsukada D18/55
- D. 303,987 10/1989 Kato et al. D18/55
- D. 334,208 3/1993 Barbookles, Jr. et al. D18/50
- 4,623,418 11/1986 Gombrich et al. D18/50
- 4,746,932 5/1988 Sato D18/54

Primary Examiner—A. Hugo Word
Assistant Examiner—Cathy Anne MacCormac
Attorney, Agent, or Firm—Spensley Horn Jubas & Lubitz

[57] **CLAIM**

The ornamental design for a label printer, as shown.

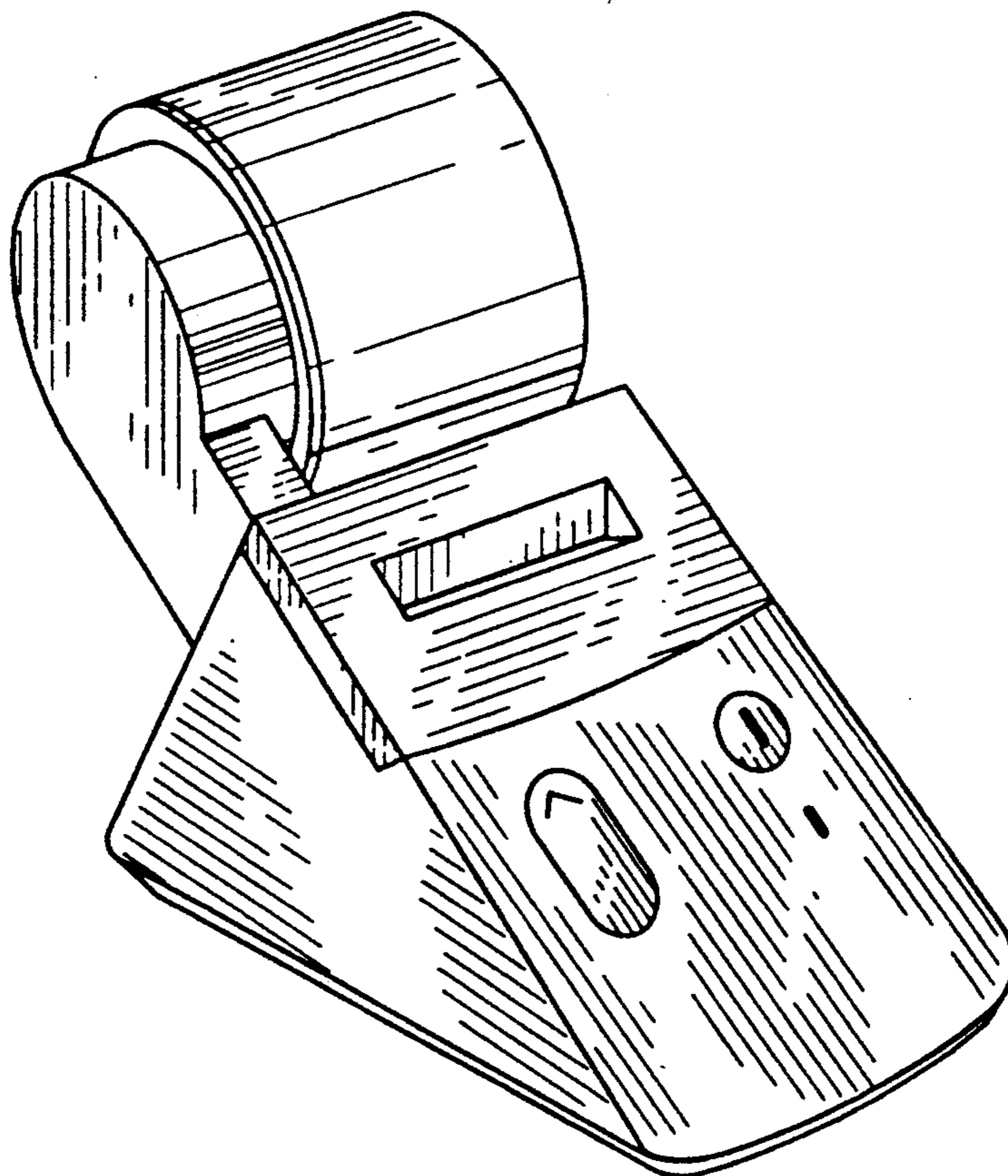
DESCRIPTION

FIG. 1 is a top perspective view of the label printer of the present invention;
FIG. 2 is a right side elevational view thereof;
FIG. 3 is a front elevational view thereof;
FIG. 4 is a back elevational view thereof;
FIG. 5 is a left side elevational view thereof;
FIG. 6 is a bottom plan view thereof; and,
FIG. 7 is a top plan view thereof.

[56] **References Cited**

U.S. PATENT DOCUMENTS

- D. 263,397 3/1982 Vierling et al. D18/54
- D. 264,971 6/1982 Chadima, Jr. D18/54
- D. 264,978 6/1982 Ohno D18/6
- D. 290,258 6/1987 Weisz et al. D18/54



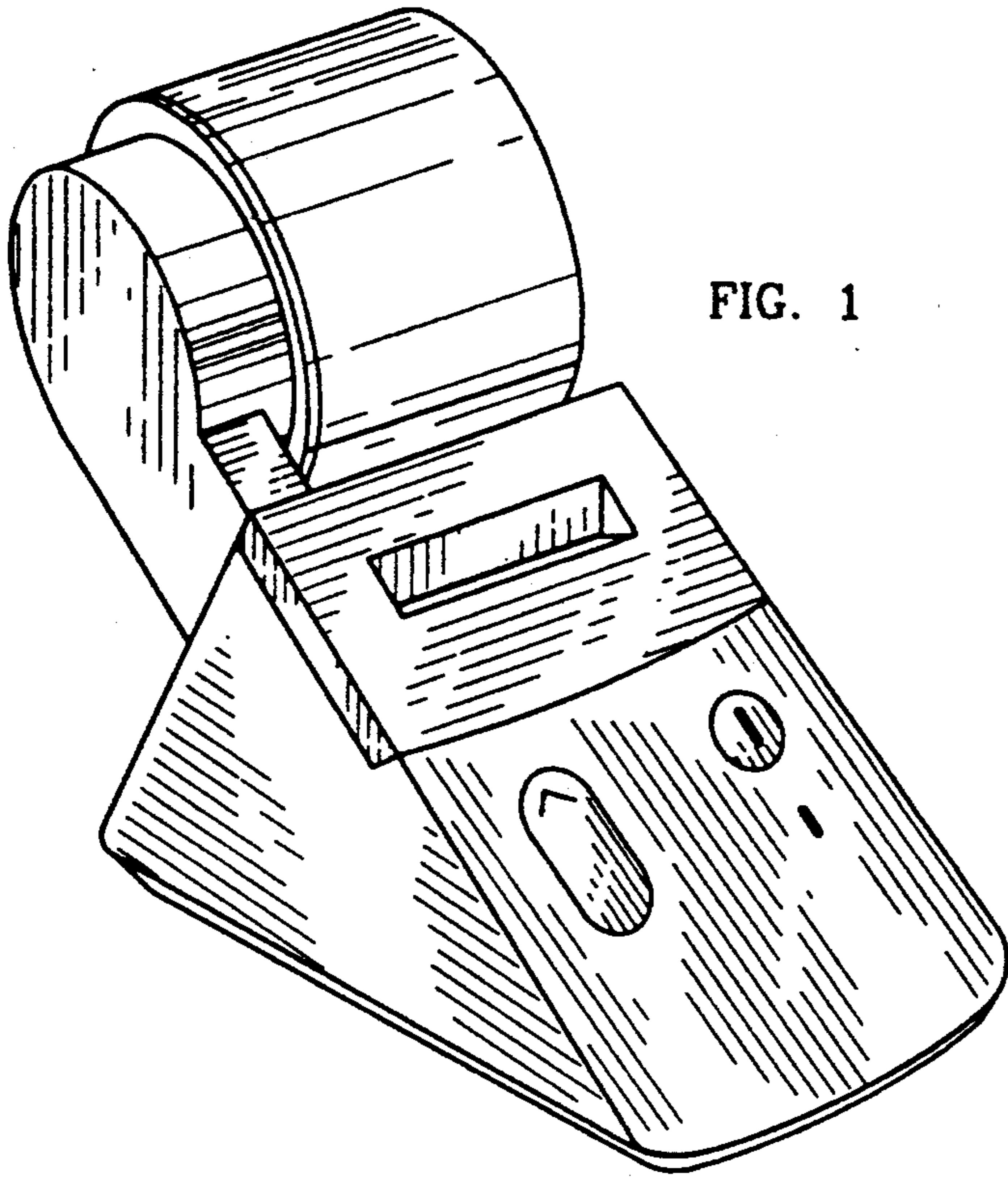


FIG. 1

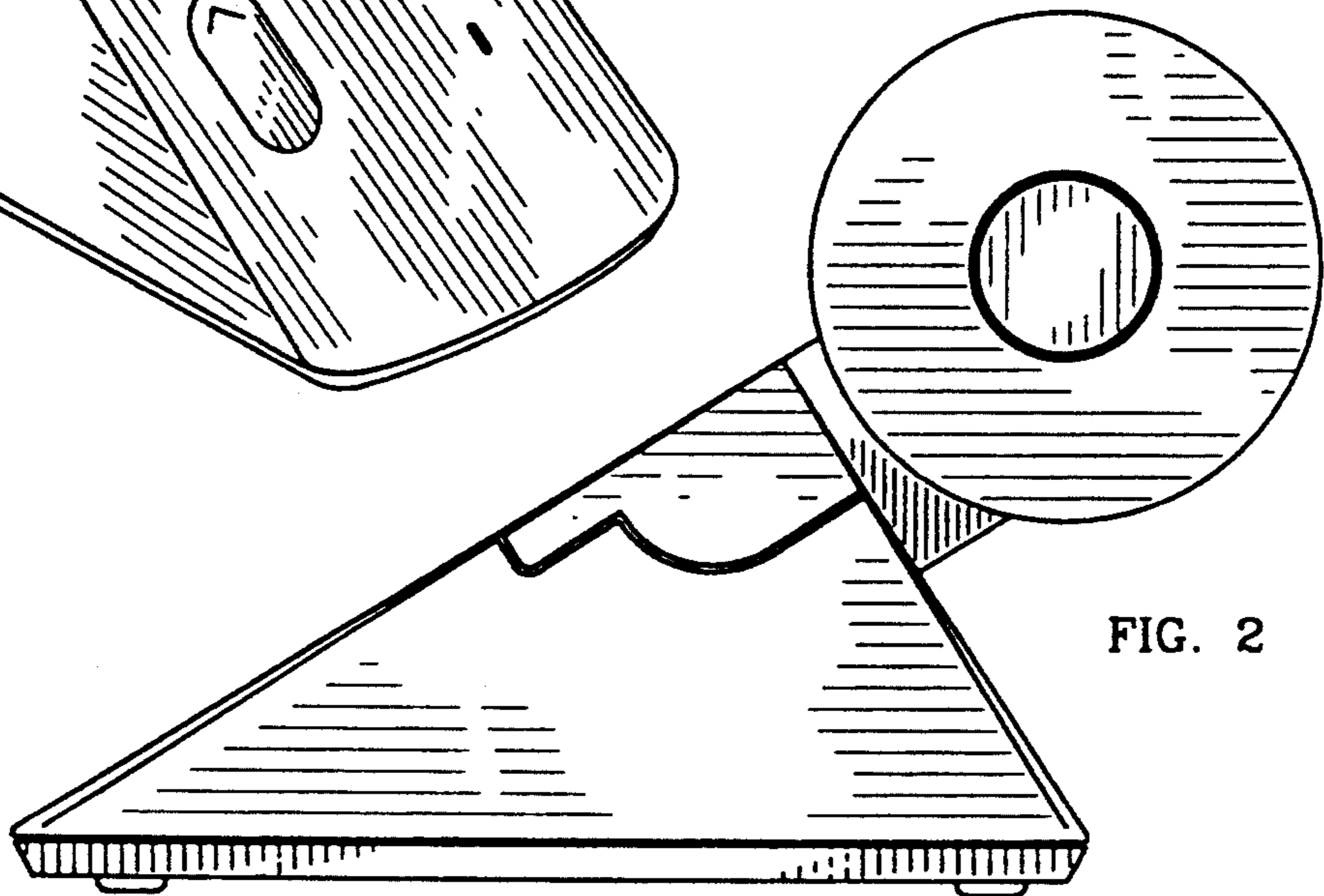


FIG. 2

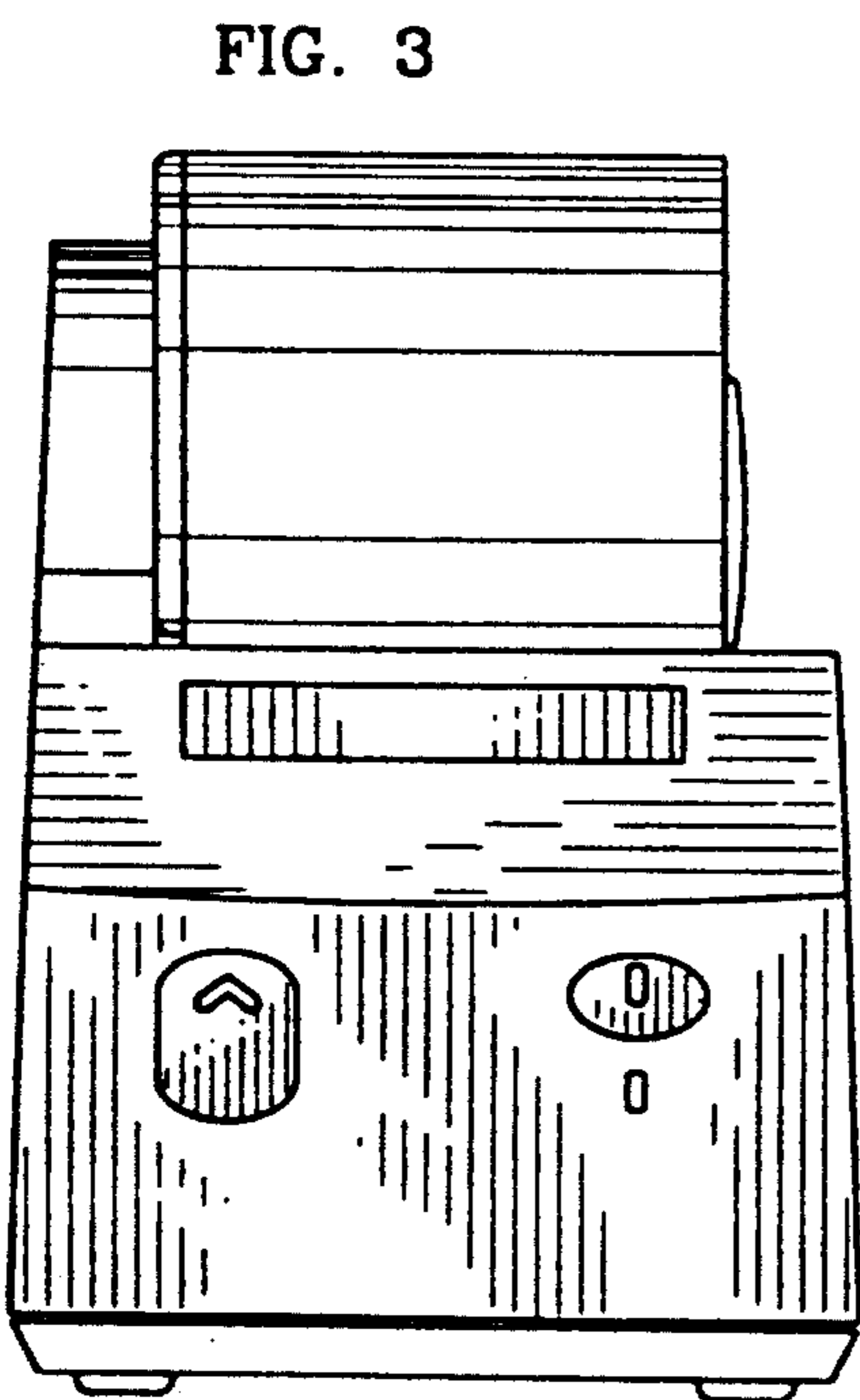


FIG. 3

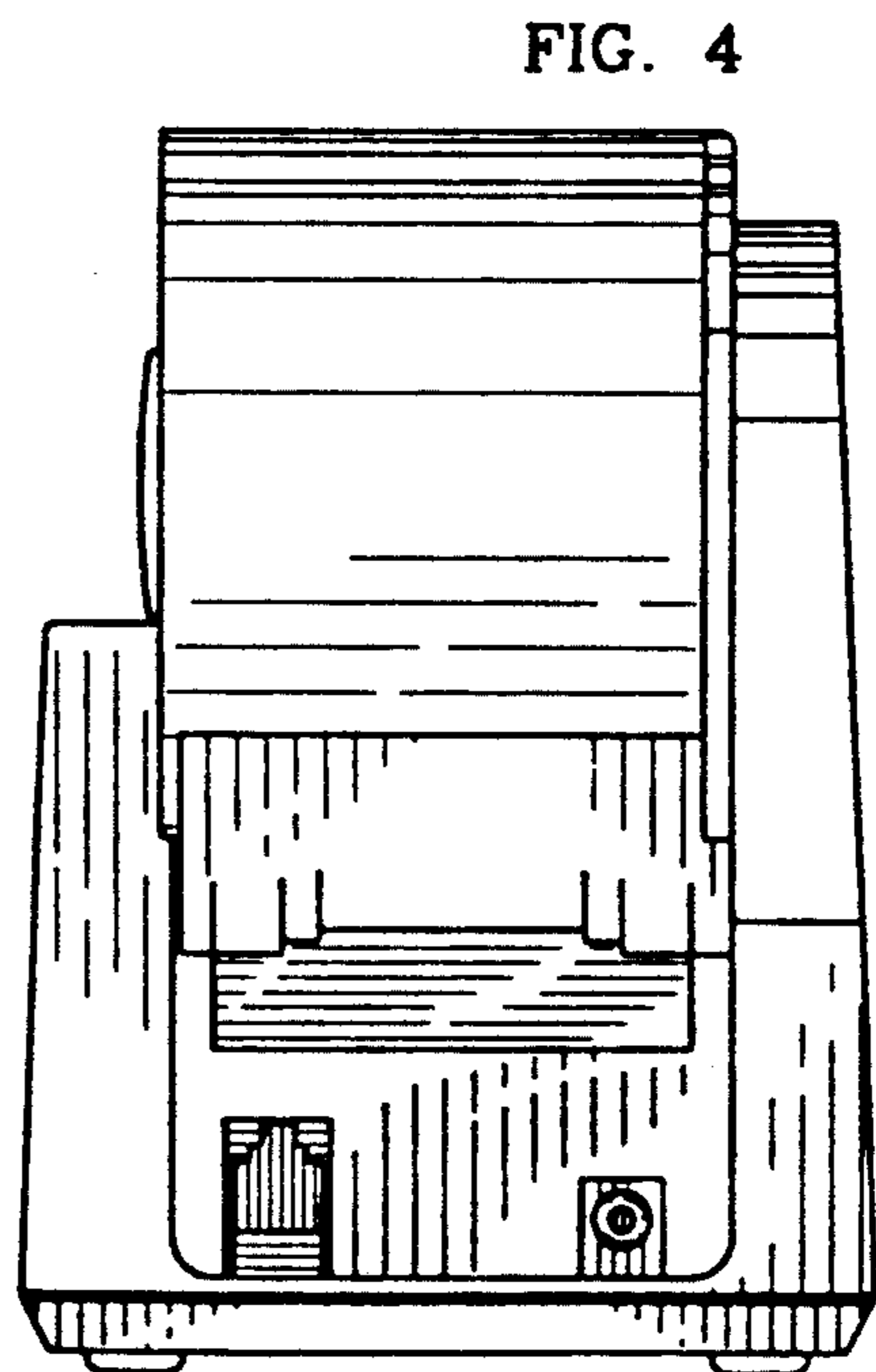


FIG. 4

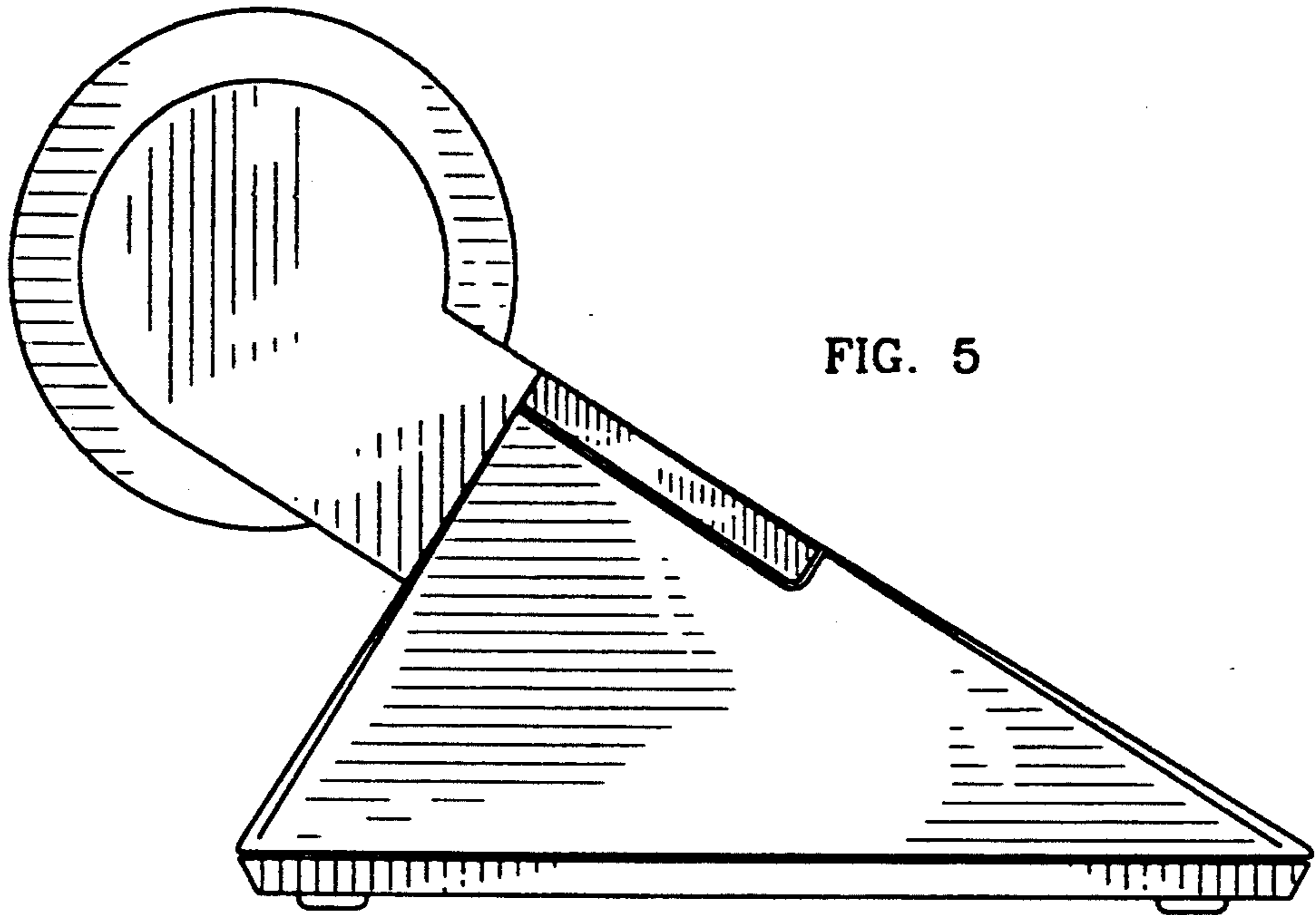


FIG. 5

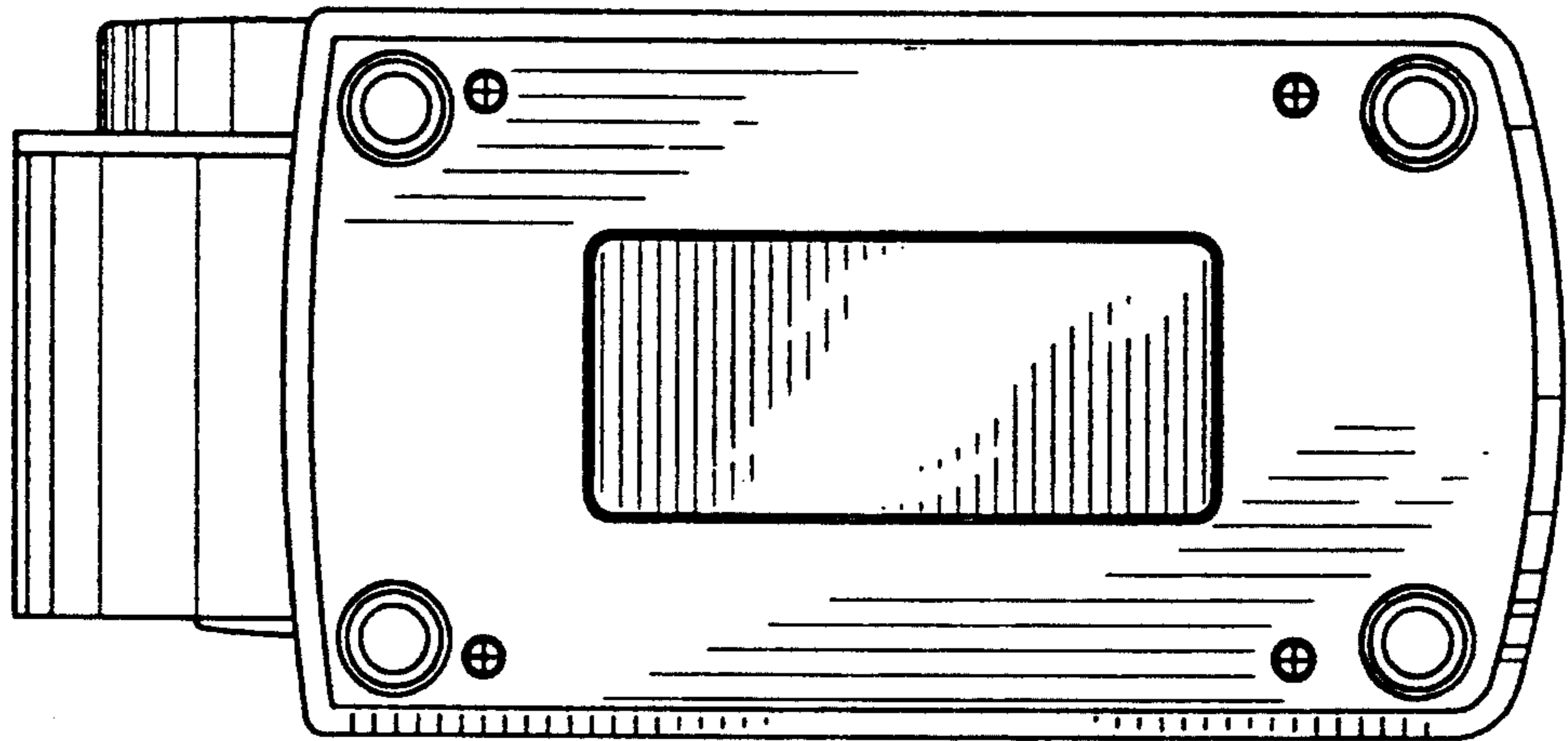


FIG. 6

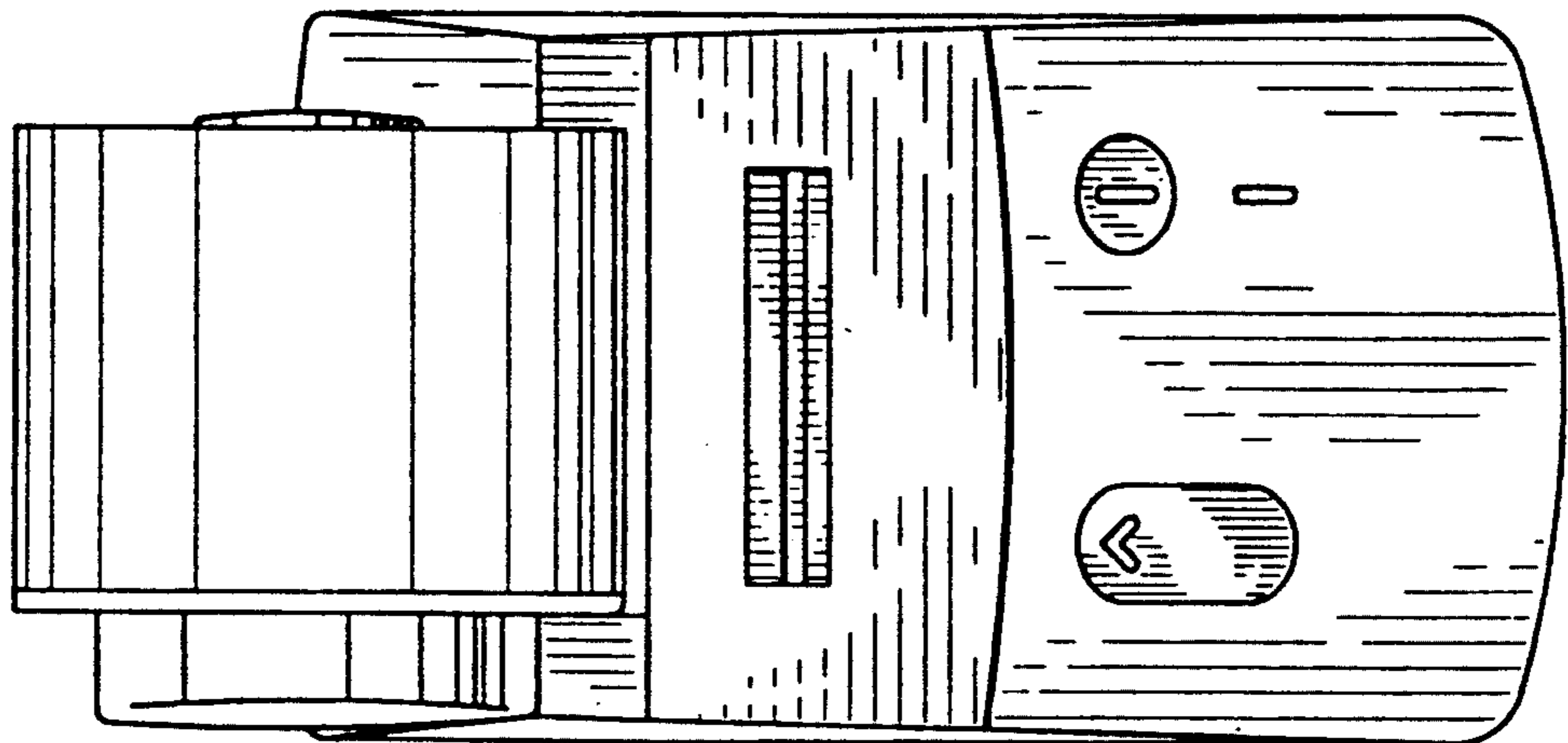


FIG. 7