



US00D344533S

# United States Patent [19] Hasegawa

[11] Patent Number: **Des. 344,533**

[45] Date of Patent: **\*\* Feb. 22, 1994**

## [54] OVERHEAD PROJECTOR

[75] Inventor: **Fumio Hasegawa, Nagoya, Japan**

[73] Assignee: **Elmo Company, Limited, Japan**

[\*\*] Term: **14 Years**

[21] Appl. No.: **673,111**

[22] Filed: **Mar. 21, 1991**

### [30] Foreign Application Priority Data

Sep. 29, 1990 [JP] Japan ..... 2-32843

[52] U.S. Cl. .... **D16/232**

[58] Field of Search ..... 353/61, 66, 119, 122,  
353/DIG. 3, DIG. 4, DIG. 5, DIG. 6;  
D16/221, 229, 232, 233

### [56] References Cited

#### U.S. PATENT DOCUMENTS

D. 317,616	6/1991	Shiiba .....	D16/232
D. 330,040	10/1992	Watanabe et al. ....	D16/232
4,696,557	9/1987	Tomizuka .....	353/66
4,795,252	1/1989	Kyhl .....	353/122
4,811,110	3/1989	Ohmura et al. ....	353/119
4,969,733	11/1990	Tewison .....	353/66

## OTHER PUBLICATIONS

Gallant Inc. Overhead Projectors Catalog, p. 5 (3M imodel O-88 Portable Projector).  
Elmo Co., Ltd., "Elmo Overhead Projector", Dec., 1987.

*Primary Examiner*—Bernard Ansher  
*Assistant Examiner*—Adir Aronovich  
*Attorney, Agent, or Firm*—Ostrolenk, Faber, Gerb & Soffen

## CLAIM

[57] The ornamental design for an overhead projector, as shown.

## DESCRIPTION

FIG. 1 is a top plan view of the overhead projector embodying my new design;  
FIG. 2 is a front view thereof;  
FIG. 3 is a right side view thereof;  
FIG. 4 is a rear view thereof;  
FIG. 5 is a left side view thereof;  
FIG. 6 is a bottom plan view thereof; and,  
FIG. 7 is a perspective view as seen from the top and front of FIG. 1.

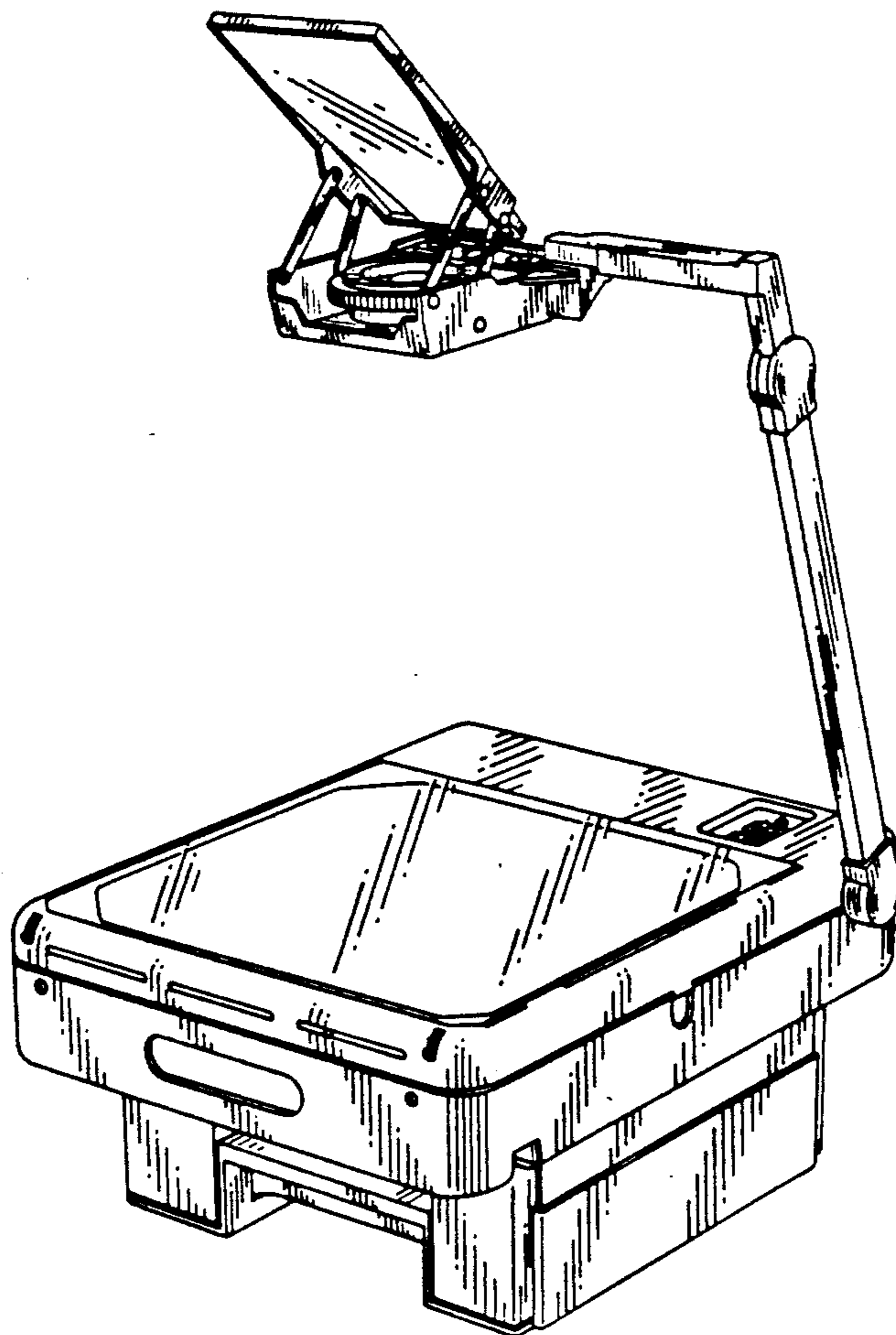


Fig. 6

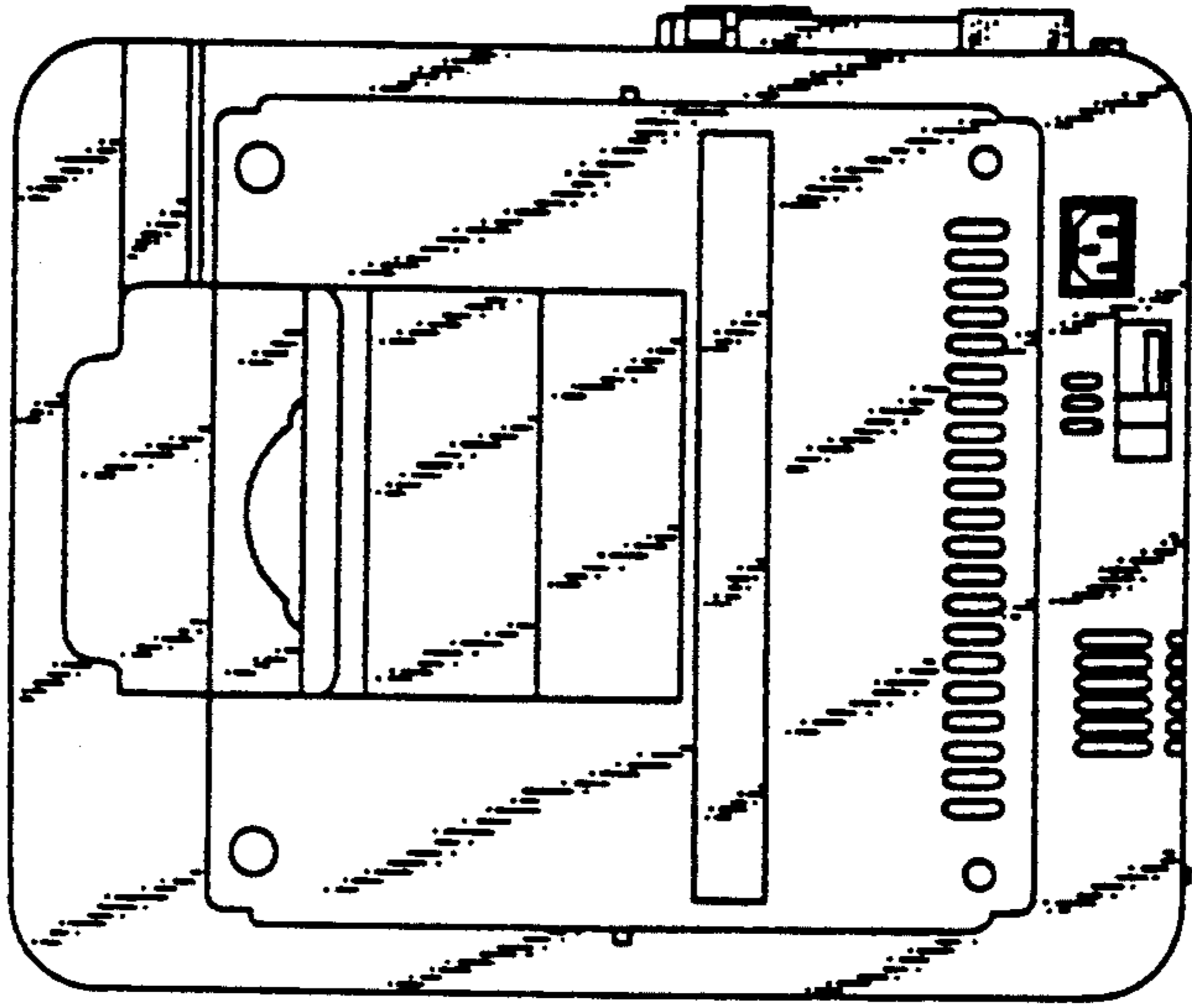


Fig. 1

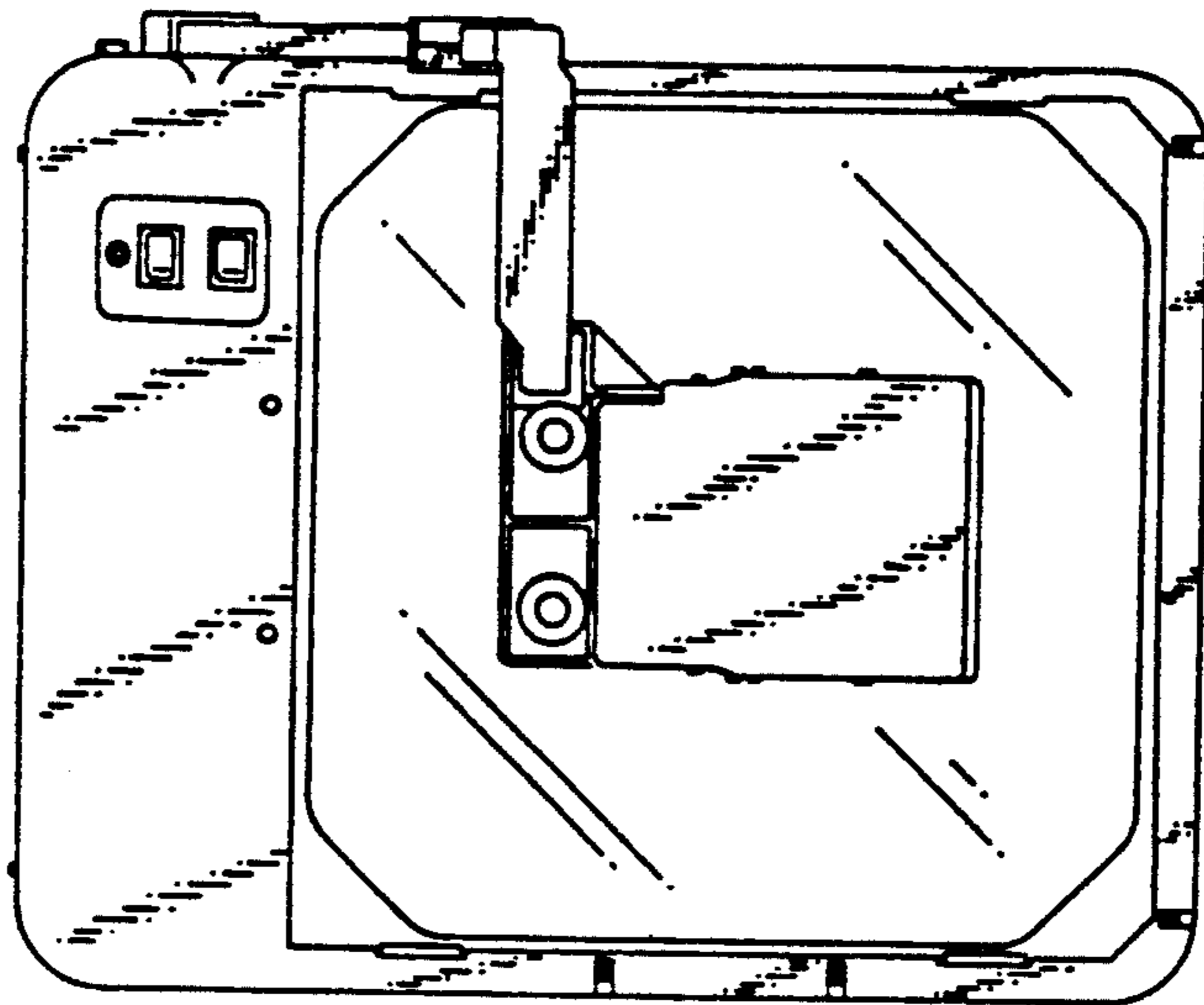


Fig. 4

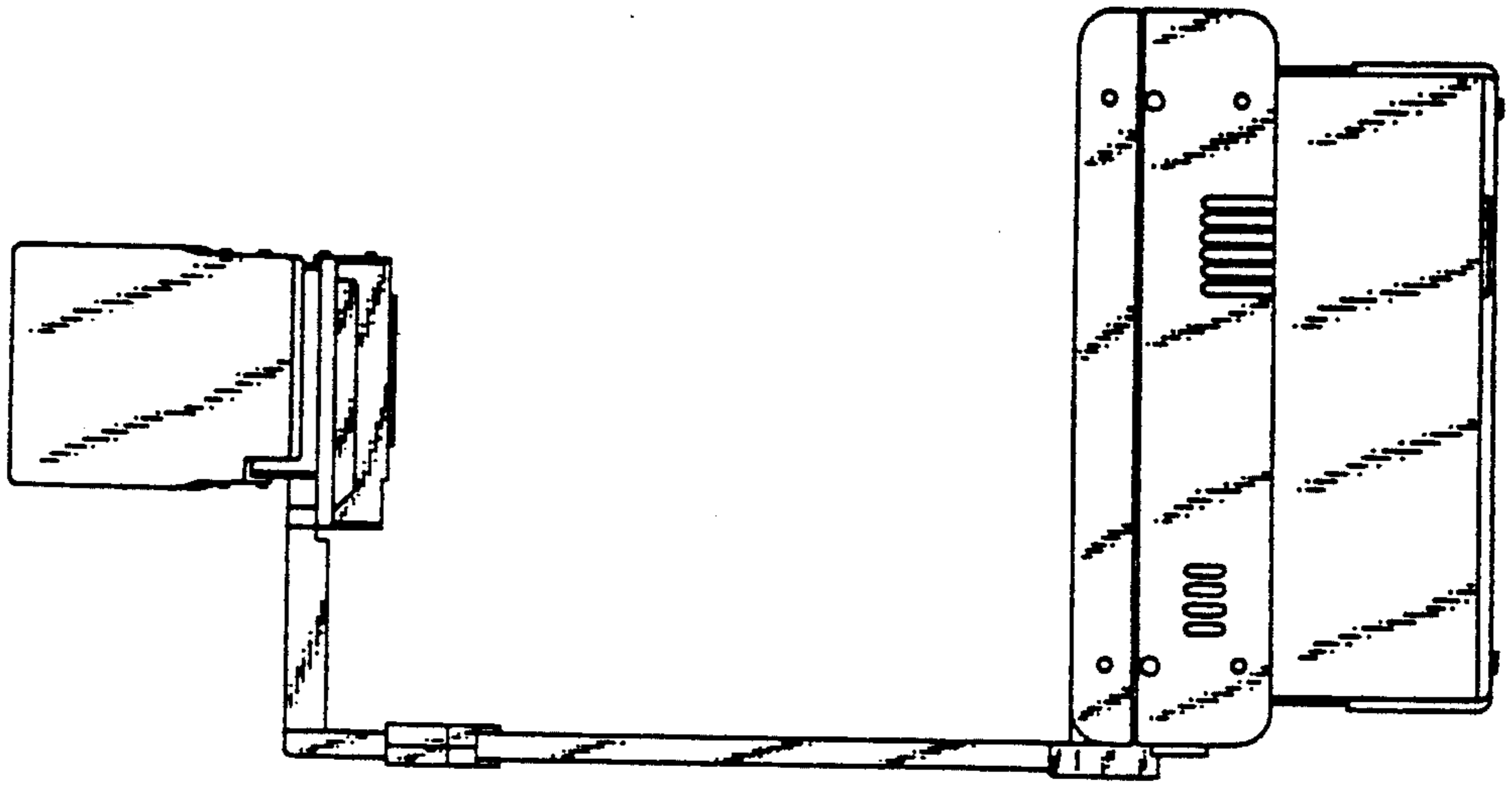


Fig. 2

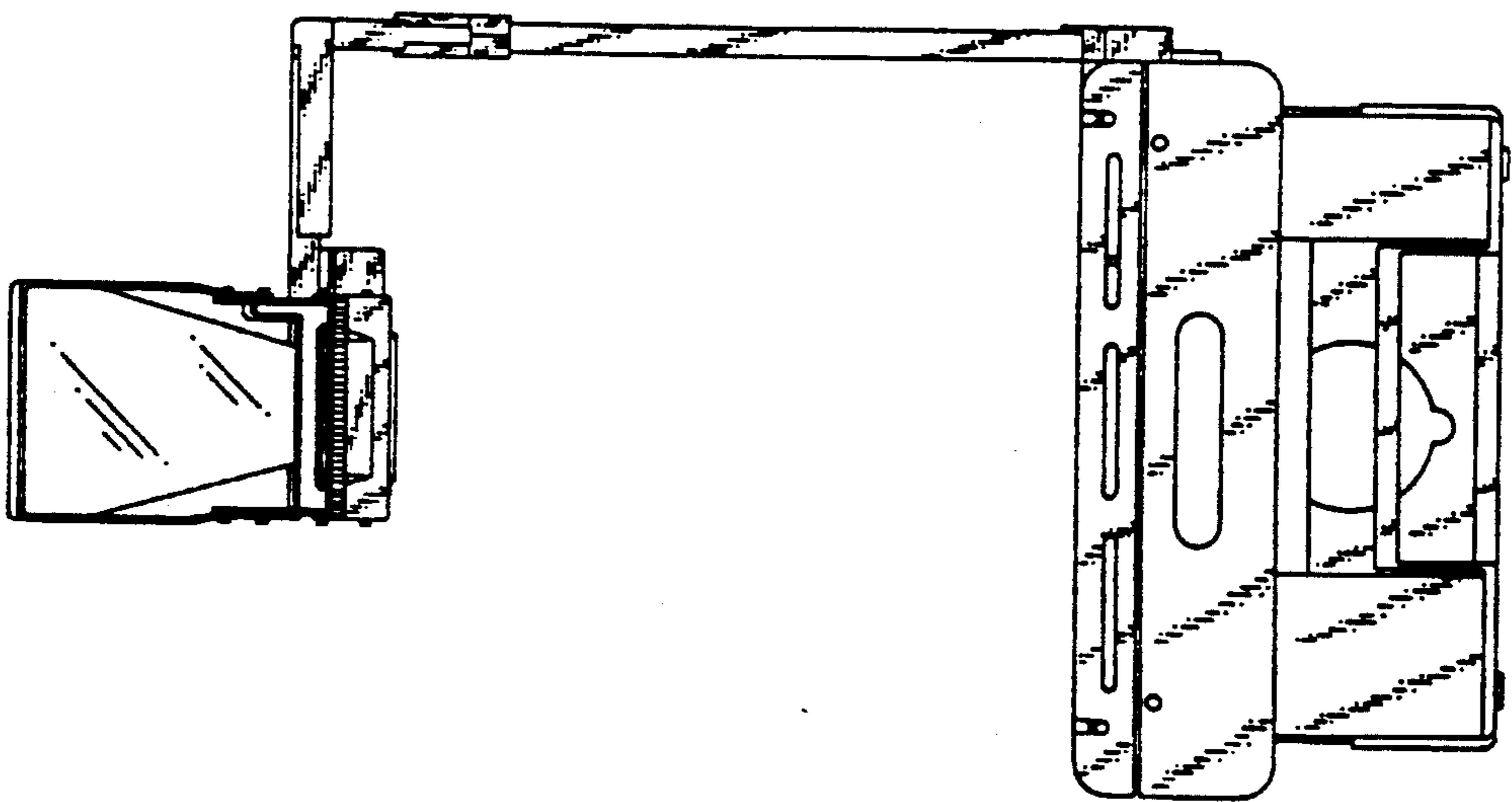


Fig. 3

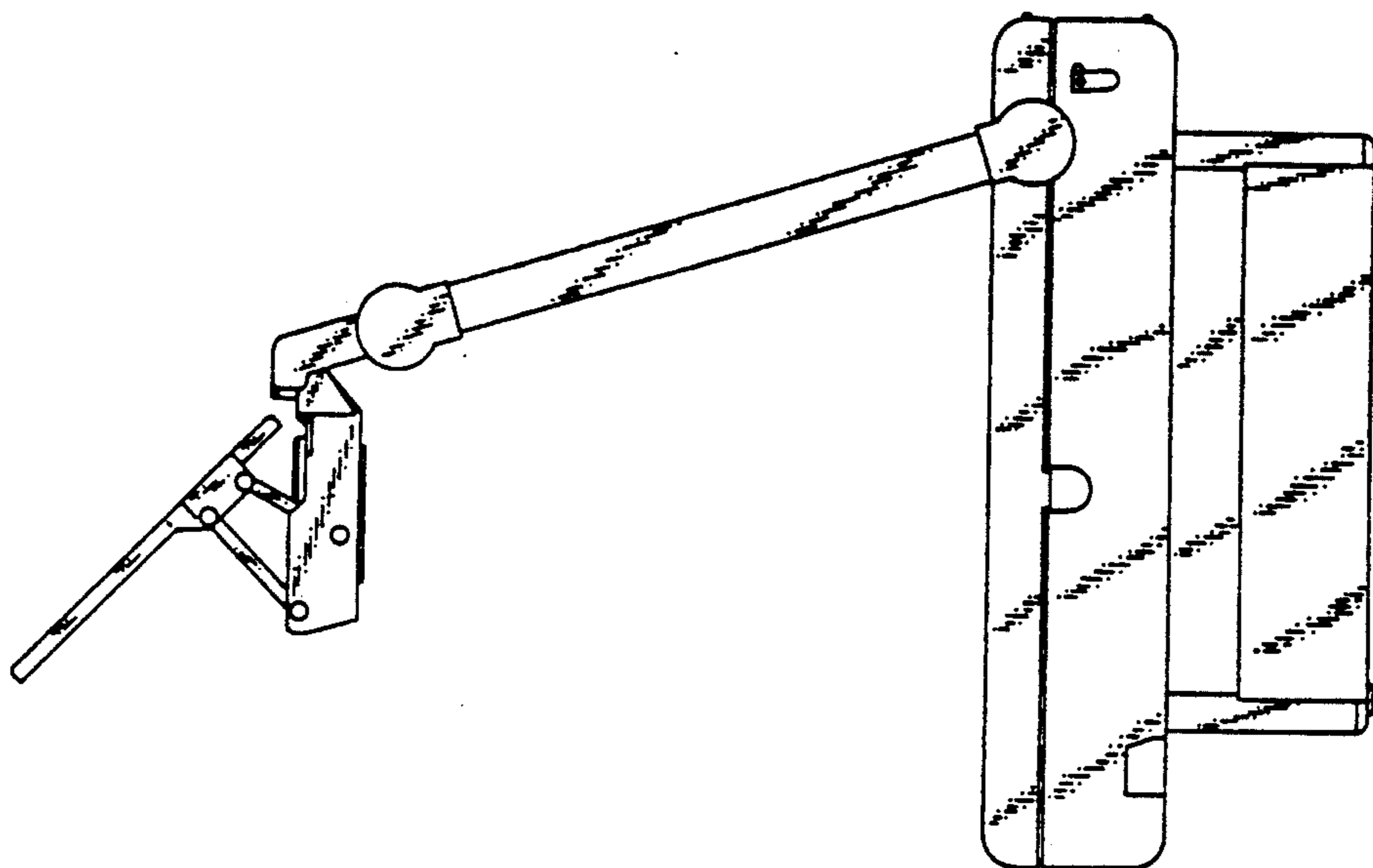


Fig. 5

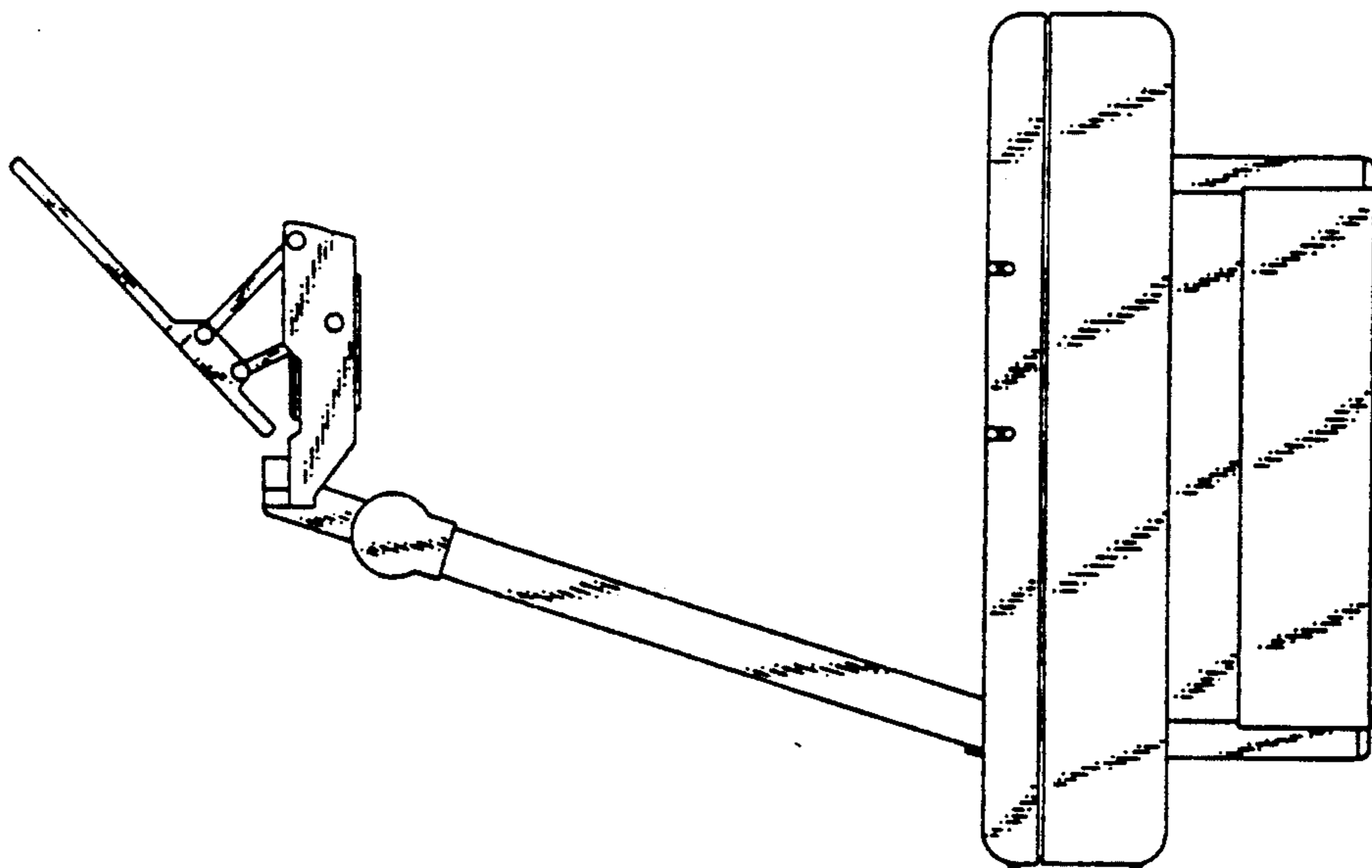


Fig. 7

