



US00D344530S

United States Patent [19]

[11] Patent Number: **Des. 344,530**

Johnson

[45] Date of Patent: **** Feb. 22, 1994**

[54] **SUNGLASS SHAPED FLIP-DOWN VISOR**

1,955,232	4/1934	Galloway	D29/16
2,434,076	1/1948	Kilham	D29/16
2,481,960	9/1949	Wall et al.	D2/246
2,519,959	8/1950	Fisher	2/10
2,752,598	7/1956	Abels	2/13

[76] Inventor: **Raymond D. Johnson, 8600 SW. Mandan Dr., Tualatin, Oreg. 97062**

[**] Term: **14 Years**

[21] Appl. No.: **877,032**

[22] Filed: **May 4, 1992**

[52] U.S. Cl. **D16/112; D29/16**

[58] Field of Search **D2/2, 424, 15, 10, 12, D2/9, 206; 128/857; D29/10, 16-18, 14, 99; D16/103, 107, 112**

*Primary Examiner—Ruth McInroy
Attorney, Agent, or Firm—Keith A. Cushing*

[57] CLAIM

The ornamental design for a sunglass shaped flip-down visor, as shown.

DESCRIPTION

FIG. 1 is a rear perspective view of a sunglass shaped flip-down visor showing my new design;
FIG. 2 is a rear elevational view thereof;
FIG. 3 is a front elevational view thereof;
FIG. 4 is a top plan view thereof;
FIG. 5 is a bottom plan view thereof;
FIG. 6 is a right side elevational view thereof; and,
FIG. 7 is a left side elevational view thereof.

[56] References Cited

U.S. PATENT DOCUMENTS

D. 115,760	7/1939	English	D16/112
D. 215,575	10/1969	Huggins	D16/112
D. 272,865	3/1984	Edelmann	D2/253
D. 319,451	8/1991	Russell	D16/107
1,725,340	8/1929	Castriotis	2/10
1,857,284	5/1932	Nelson	2/10

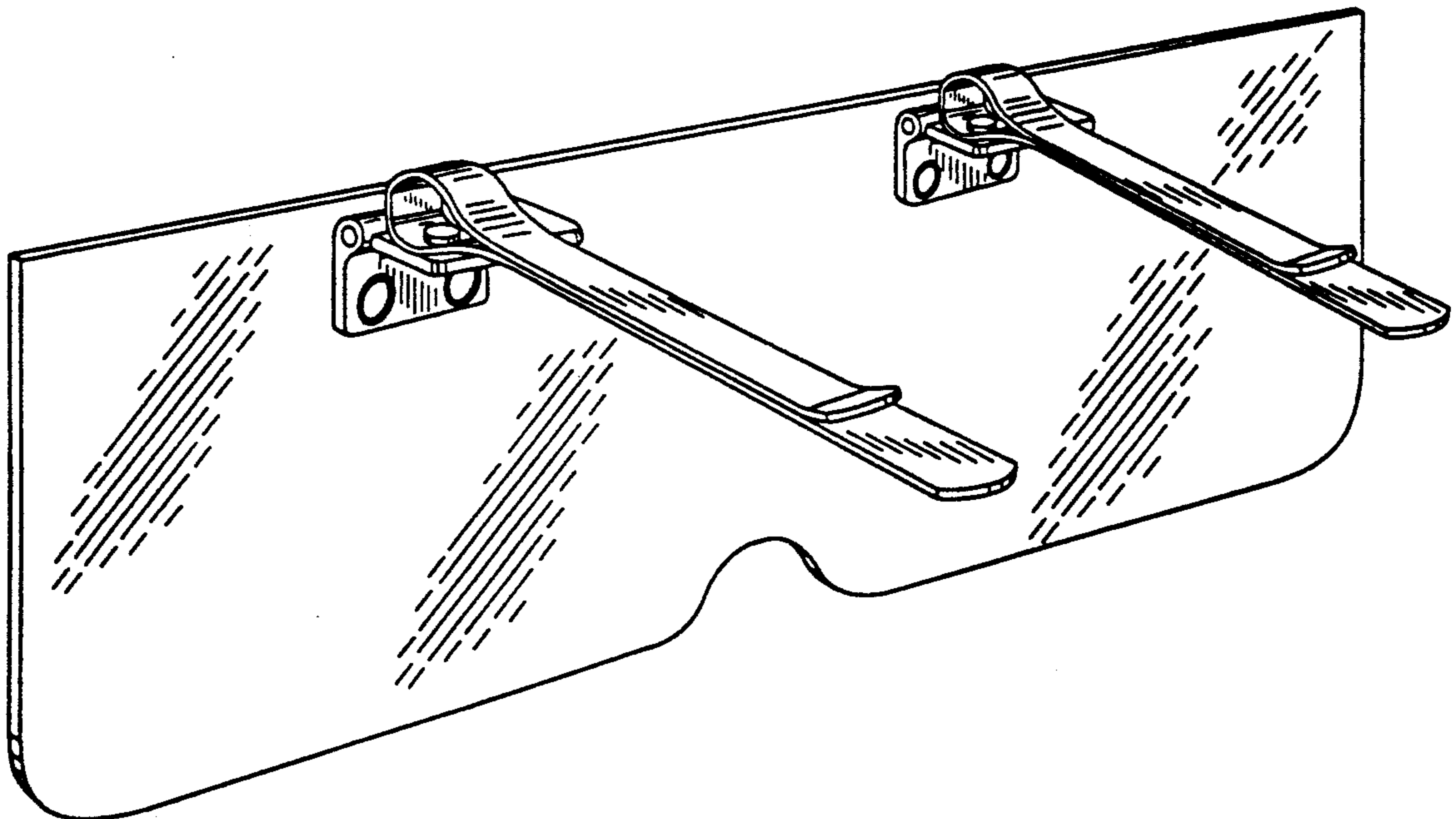


FIG. 1

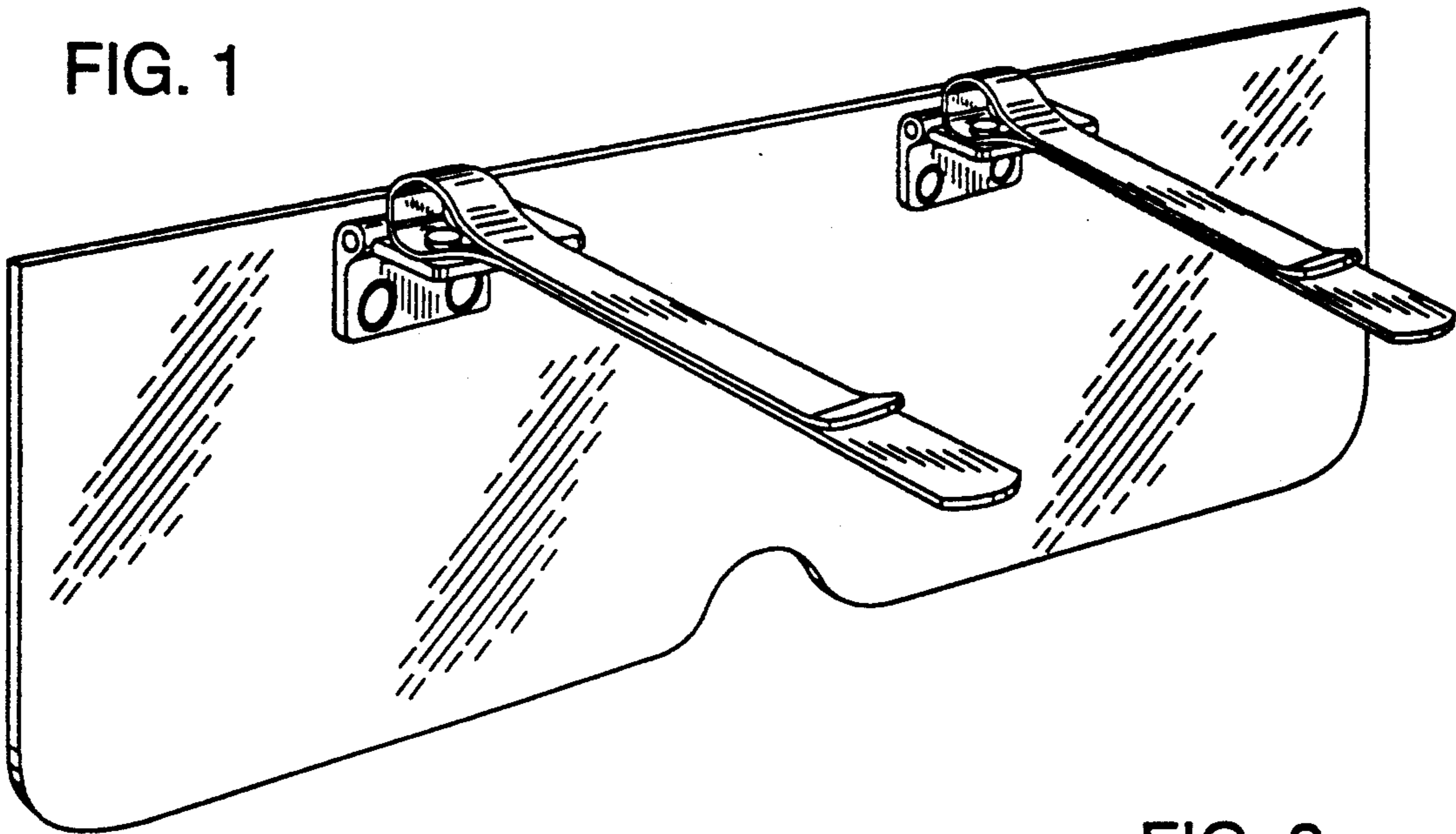


FIG. 2

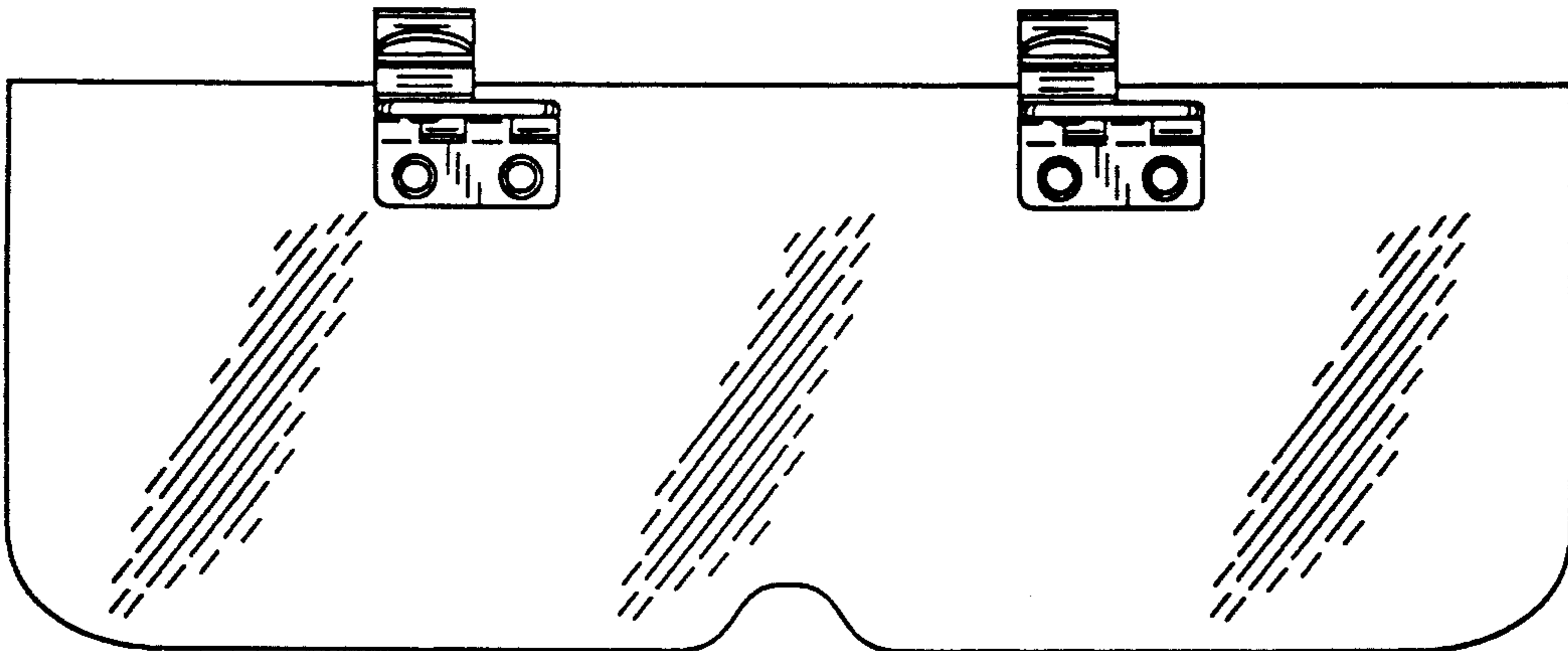


FIG. 3

