



US00D344529S

United States Patent [19]

[11] Patent Number: Des. 344,529

Gowdy

[45] Date of Patent: ** Feb. 22, 1994

[54] WELDER QUALIFICATION TEST COUPON JIG

2,574,306 11/1951 Walker 269/245 X

[76] Inventor: James L. Gowdy, 154 Carroll Ave., Lake Ronkonkoma, N.Y. 11779

Primary Examiner—Nelson C. Holtje
Assistant Examiner—Antoine D. Davis
Attorney, Agent, or Firm—Galvano & Burke

[**] Term: 14 Years

[57] CLAIM

[21] Appl. No.: 840,984

The ornamental design for a welder qualification test coupon jig, as shown and described.

[22] Filed: Feb. 25, 1992

DESCRIPTION

[52] U.S. Cl. D15/140; D8/71

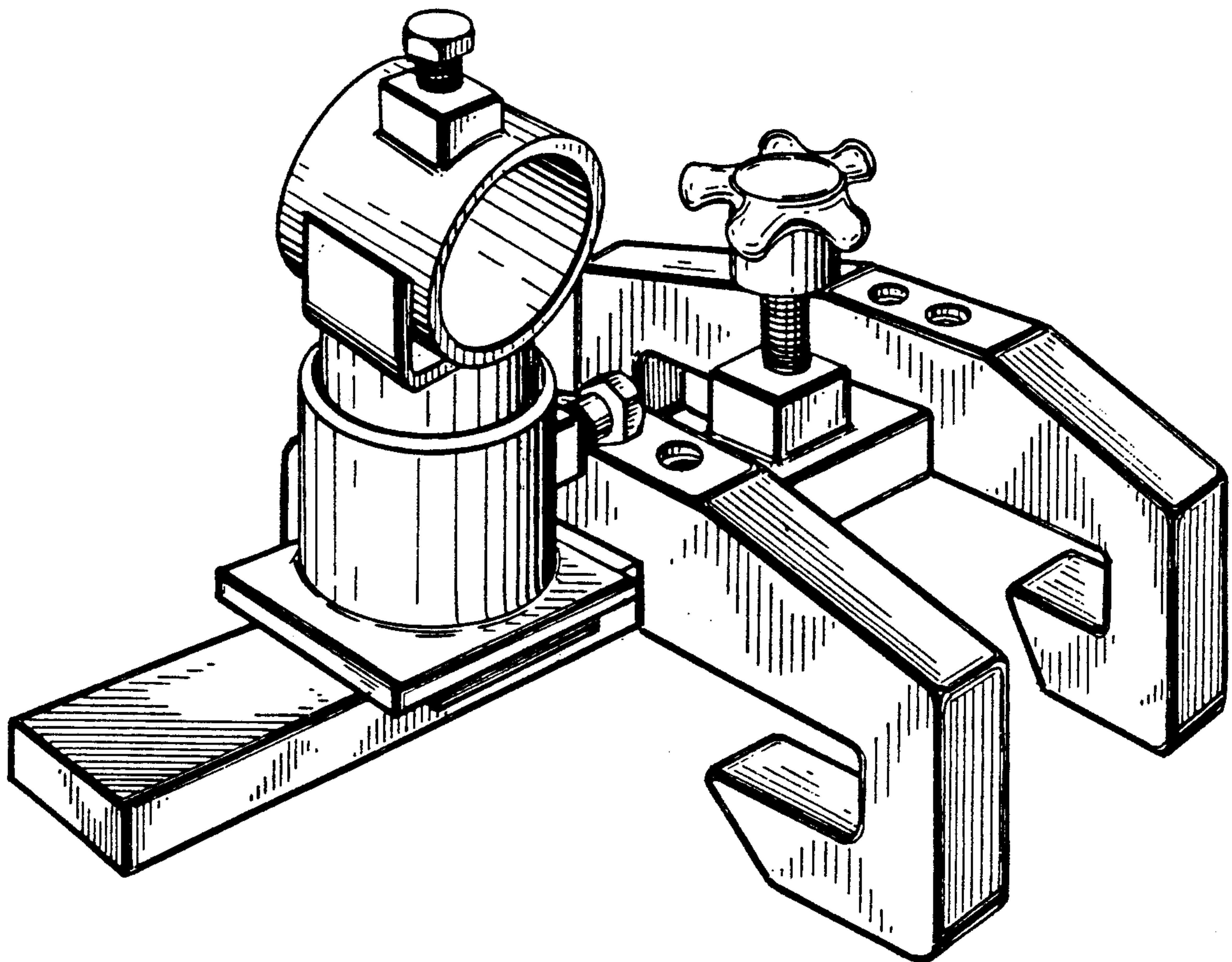
[58] Field of Search D8/70, 71; 269/245-248; D15/140, 141, 144

FIG. 1 is a perspective view of a welder qualification test coupon jig showing my new design; FIG. 2 is a rear end view thereof; FIG. 3 is a top plan view thereof; FIG. 4 is a right side elevational view thereof, the left side elevational view thereof being identical thereto; FIG. 5 is a front end view thereof; and, FIG. 6 is a bottom view thereof.

[56] References Cited

U.S. PATENT DOCUMENTS

- D. 232,153 7/1974 Peppers D8/70
- D. 338,148 8/1993 Gowdy D8/71



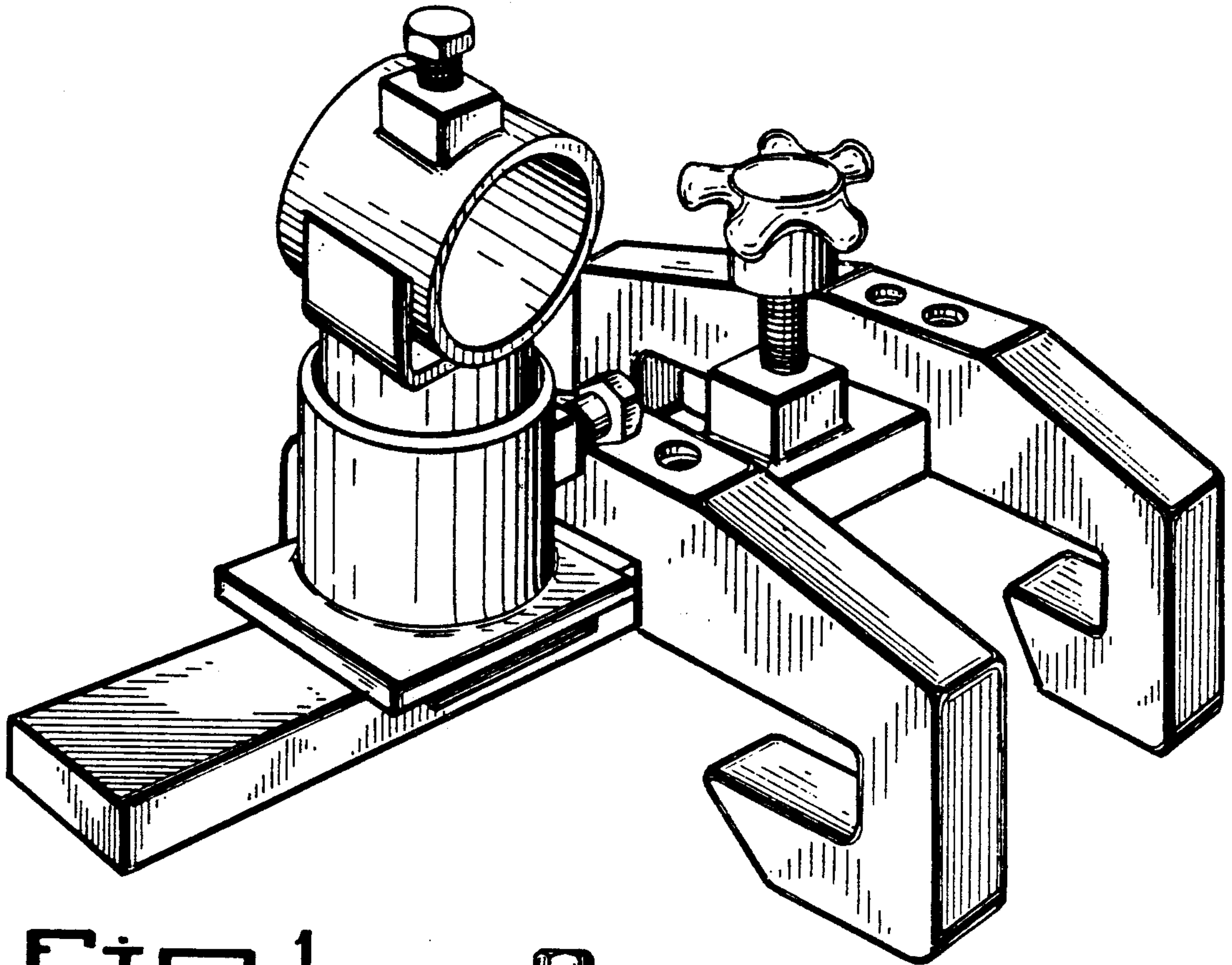


Fig. 1

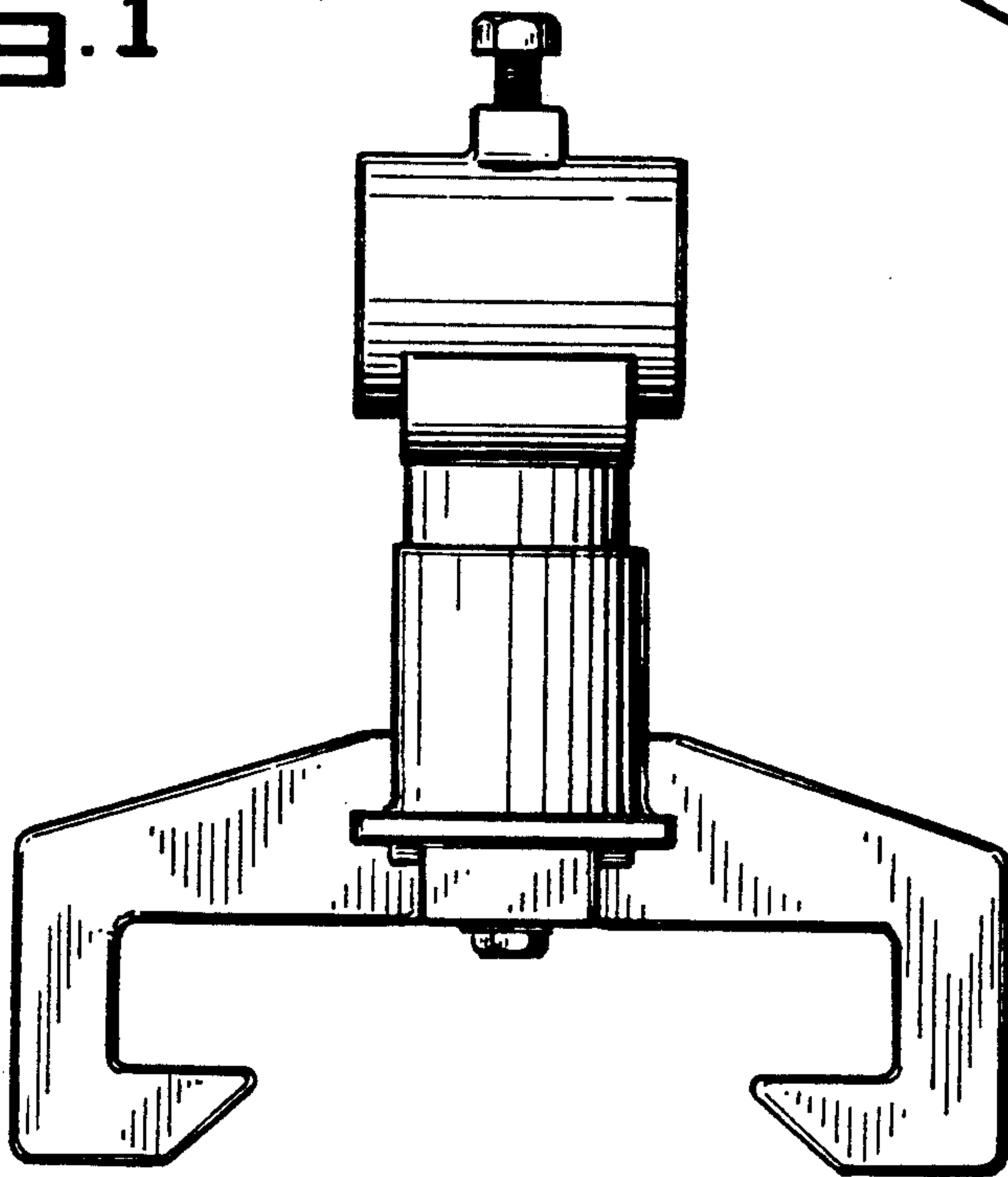


Fig. 2

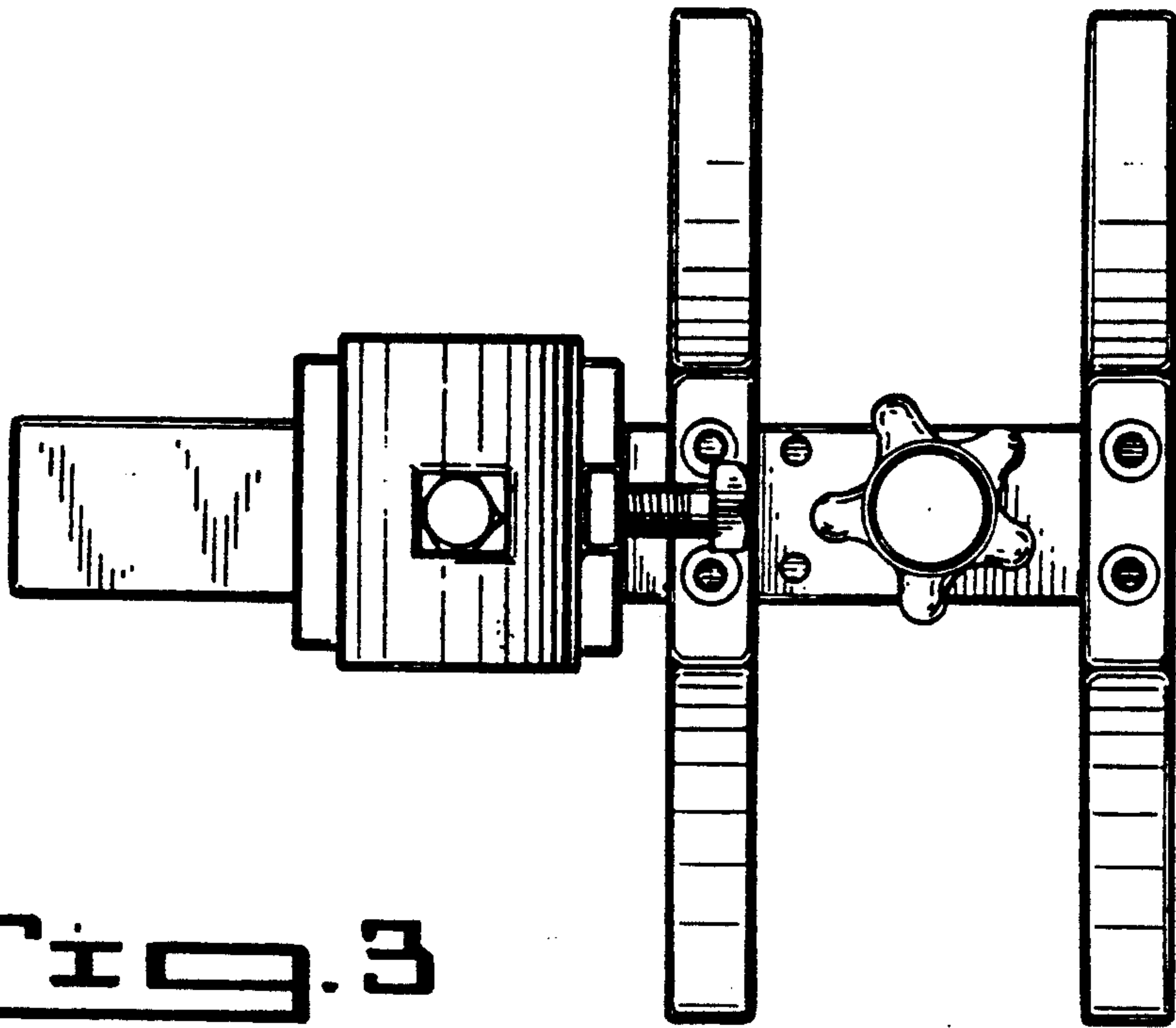


Fig. 3

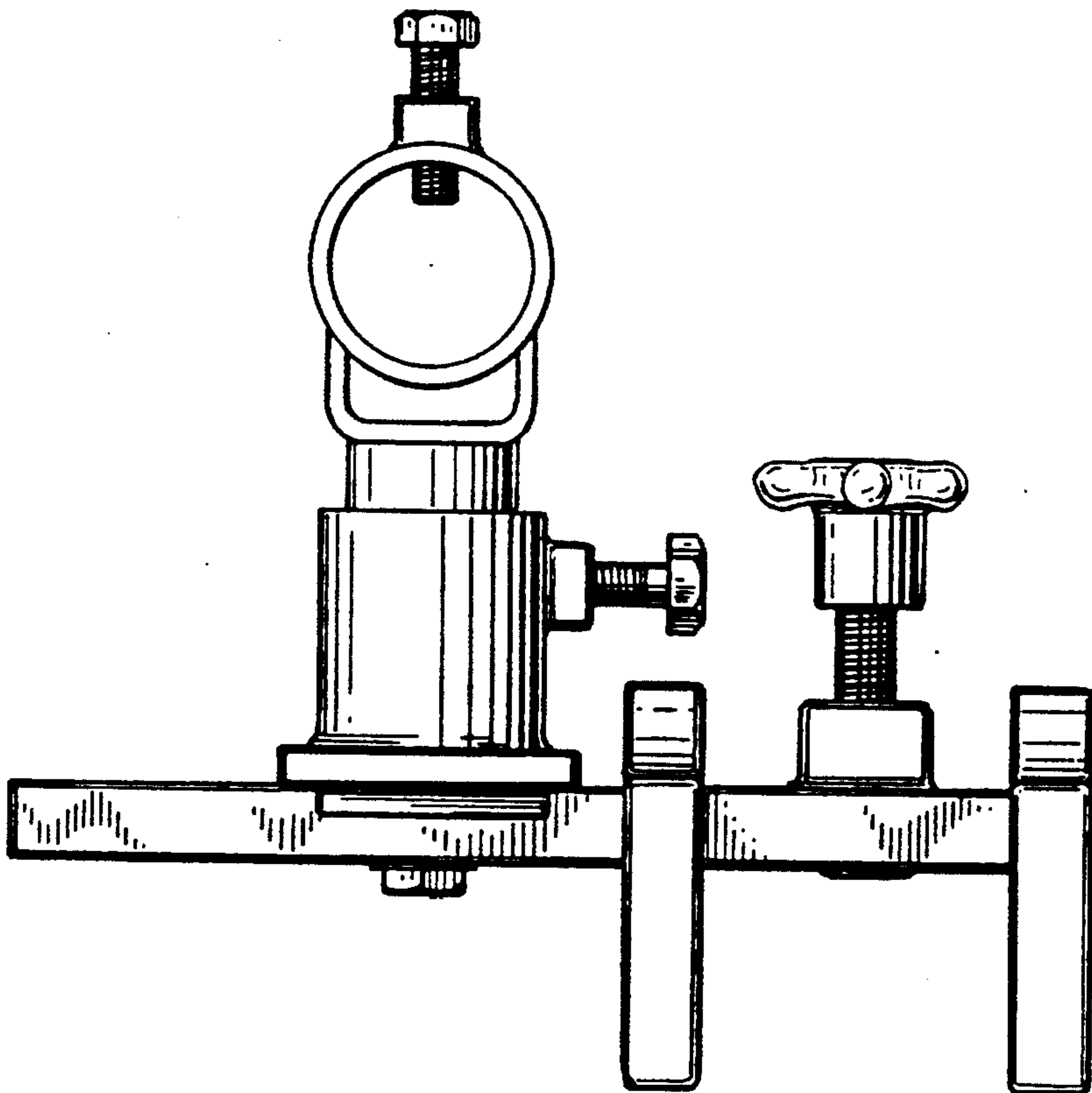


Fig. 4

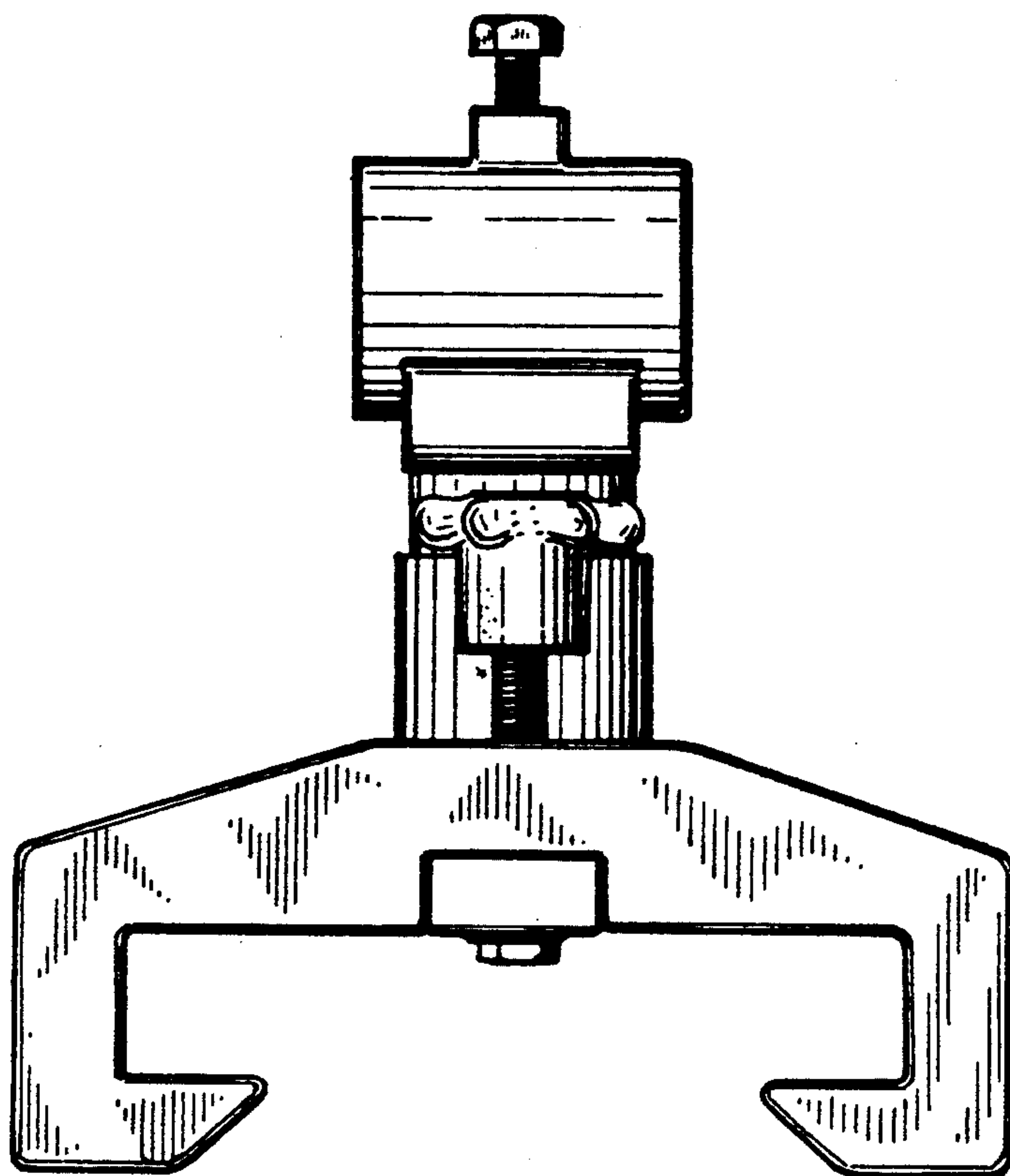


Fig. 5

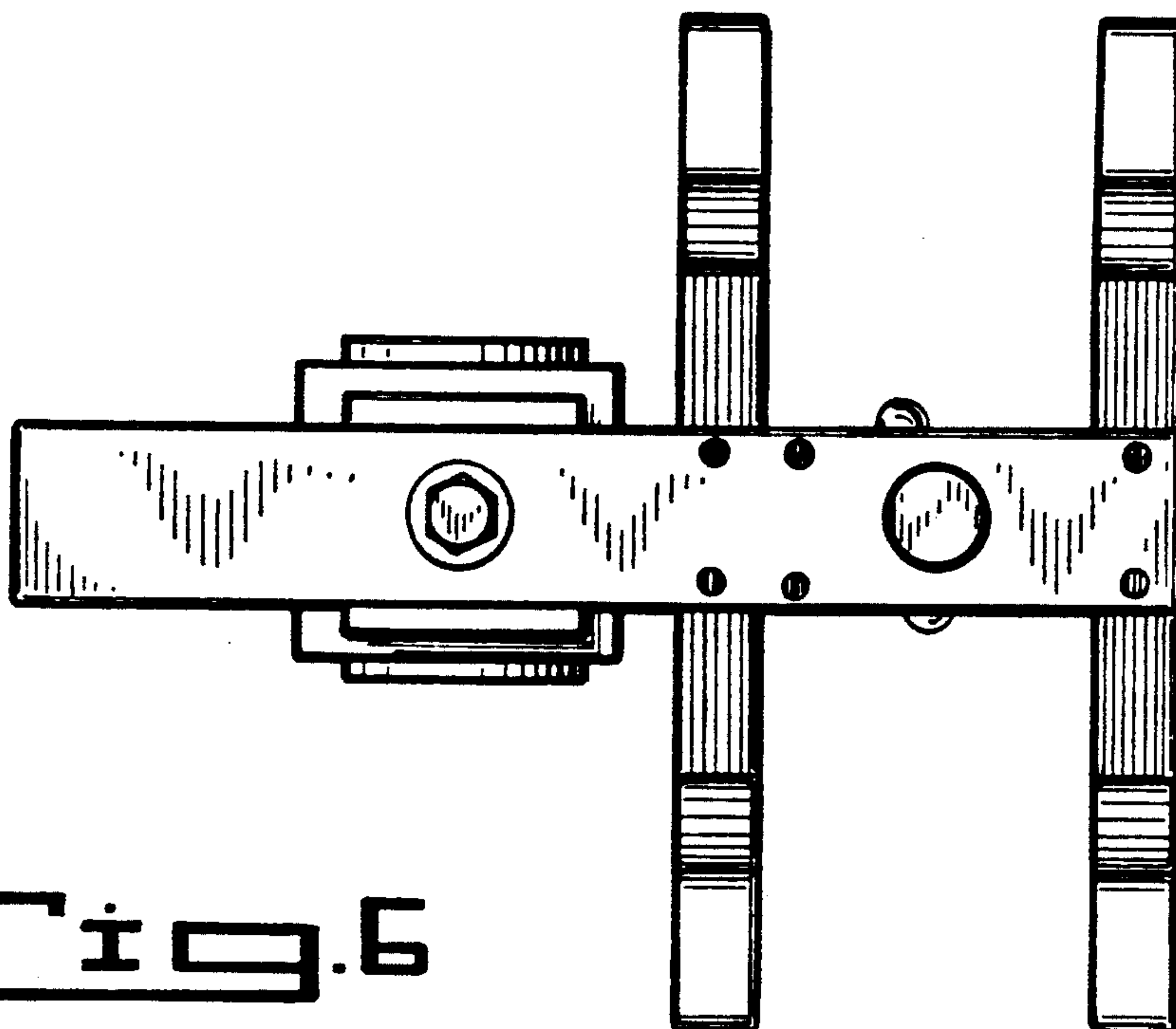


Fig. 6