



US00D344528S

United States Patent [19]
Janczak

[11] **Patent Number: Des. 344,528**
[45] **Date of Patent: ** Feb. 22, 1994**

[54] **ELECTRICAL WOOD SPLITTING MACHINE**

[56]

References Cited

U.S. PATENT DOCUMENTS

D. 257,632 12/1980 Barger D15/127
D. 261,143 10/1981 Green D15/127

Primary Examiner—Nelson C. Holtje
Assistant Examiner—Antoine D. Davis
Attorney, Agent, or Firm—Sughrue, Mion, Zinn,
Macpeak & Seas

[75] **Inventor: Jerzy Janczak, S:t Mickelsgatan,
Sweden**

[73] **Assignee: Jonsered Power Products AB,
Paville, Sweden**

[**] **Term: 14 Years**

[21] **Appl. No.: 931,302**

[22] **Filed: Aug. 18, 1992**

[30] **Foreign Application Priority Data**

Feb. 18, 1992 [SE] Sweden 92-0347

[52] **U.S. Cl. D15/127**

[58] **Field of Search 144/193 A, 193 R, 193 H,
144/193 K; D15/127**

CLAIM

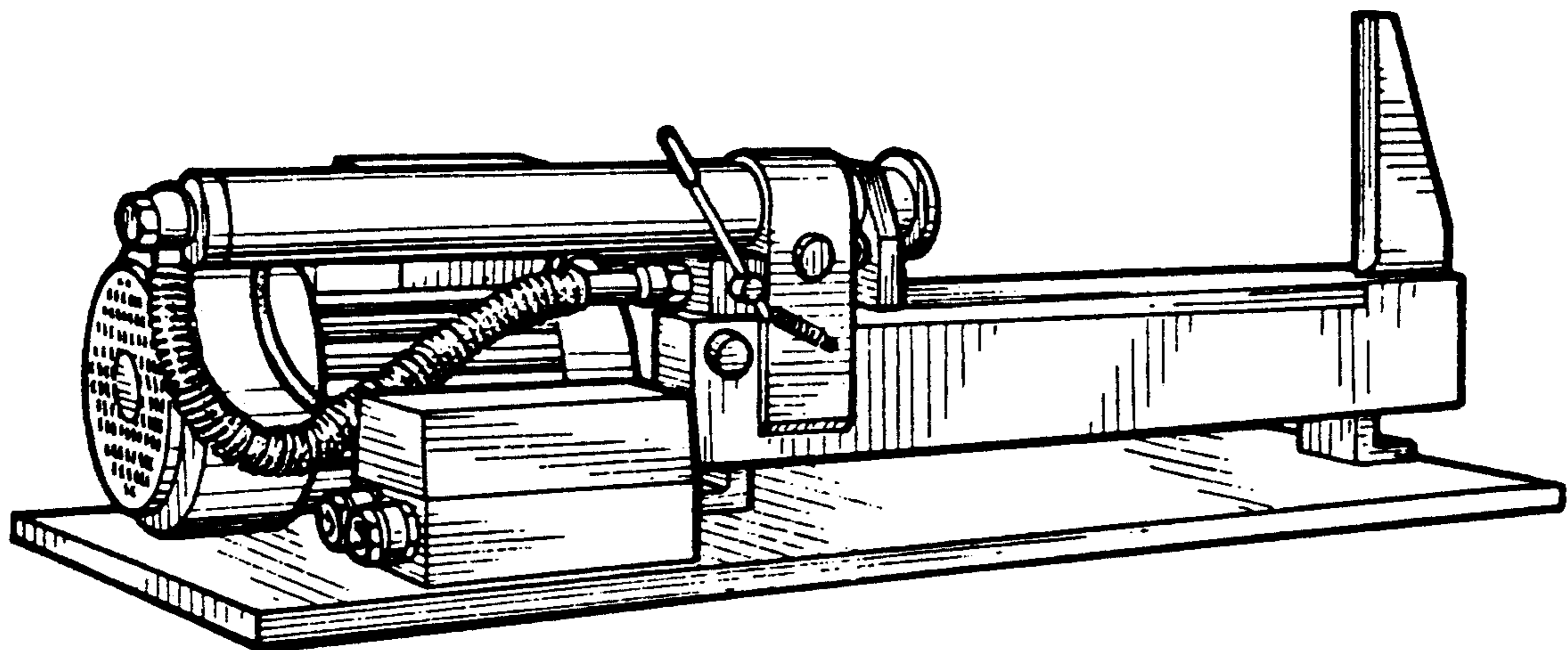
The ornamental design for an electrical wood splitting machine, as shown.

DESCRIPTION

FIG. 1 is a front, top and left side perspective view of an electrical wood splitting machine showing my new design;

FIG. 2 is a rear, top and left side perspective view thereof; and,

FIG. 3 is a front, bottom and right side perspective view thereof.



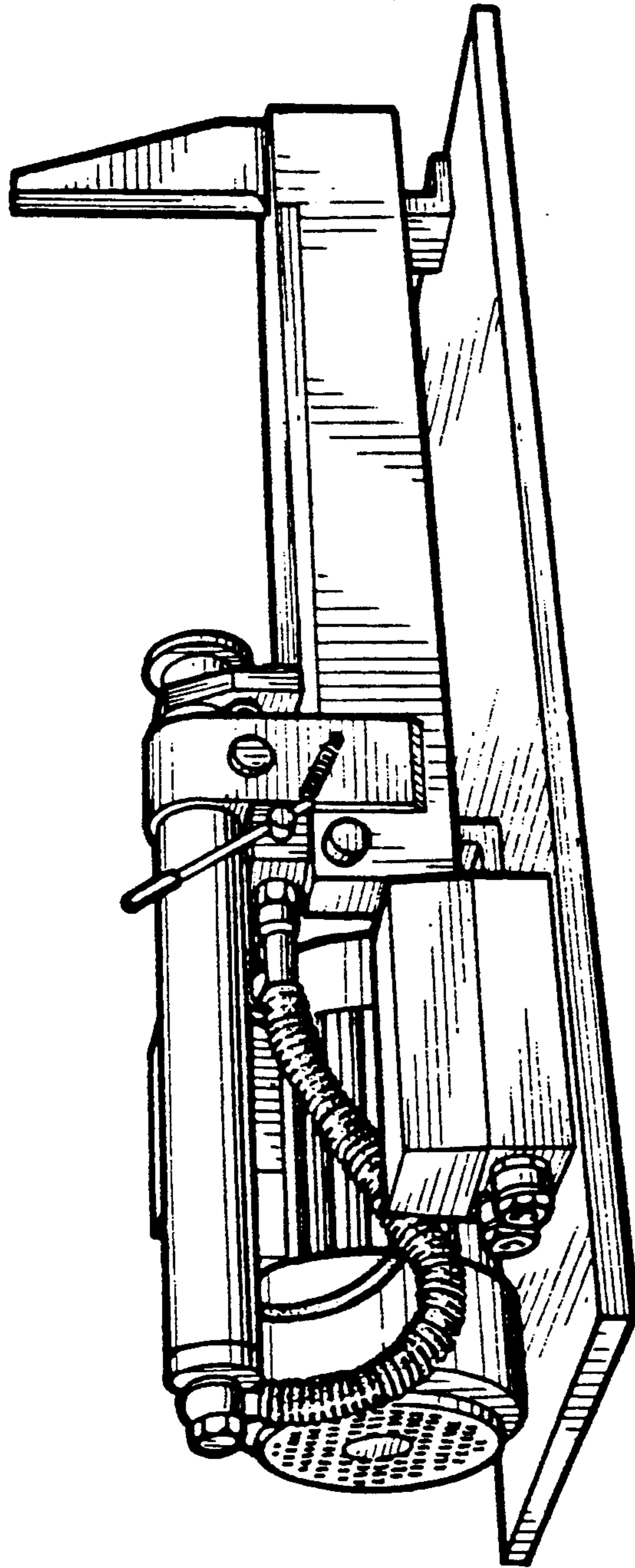


FIG. 1

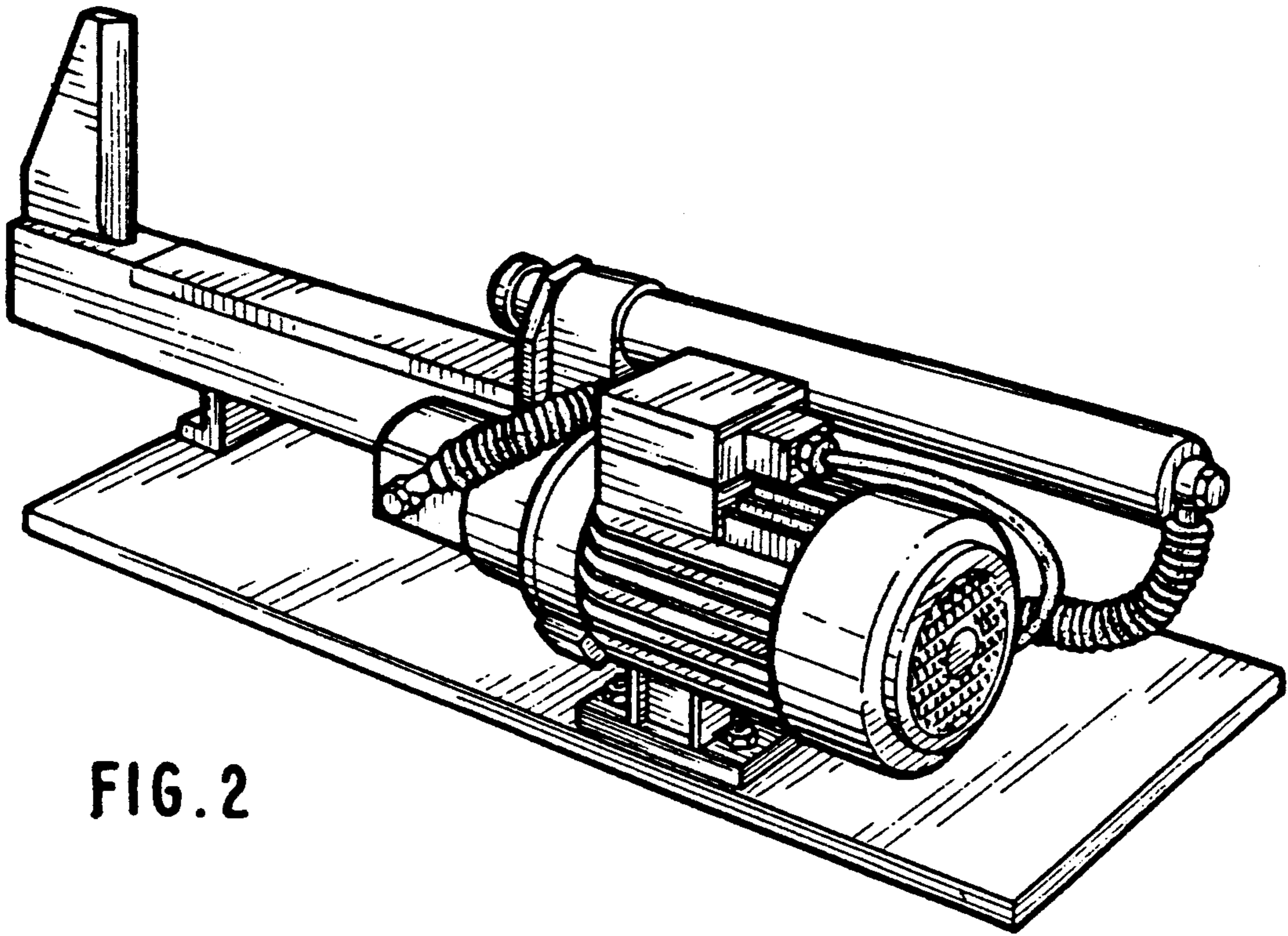


FIG. 2

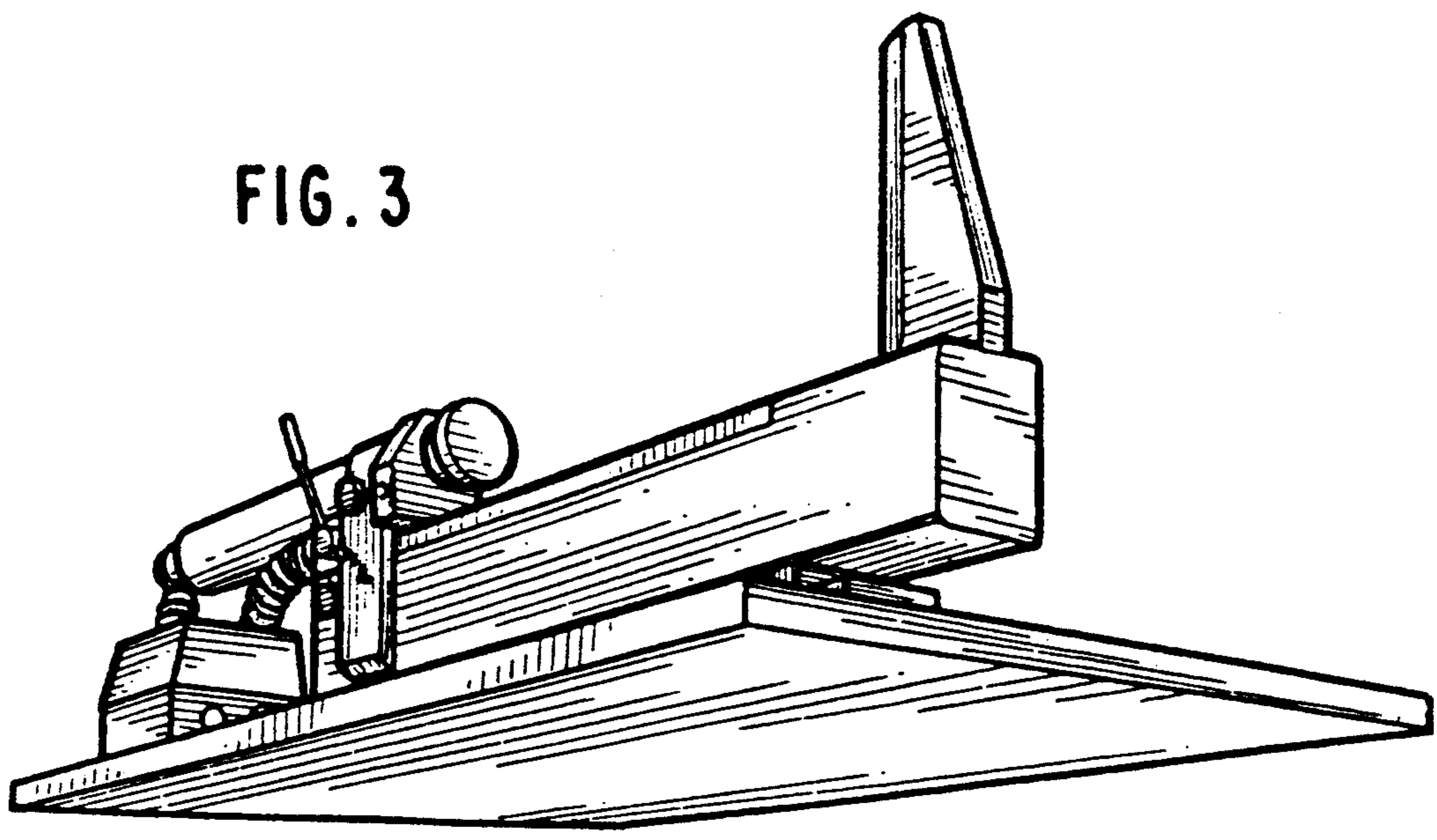


FIG. 3