



US00D344526S

# United States Patent [19]

Kallén et al.

[11] Patent Number: Des. 344,526

[45] Date of Patent: \*\* Feb. 22, 1994

[54] EXCAVATING SHOVEL

[75] Inventors: Karl-Gustav Kallén, Löjtnantsvägen;  
Håkan Ripell, Valsångsvägen, both  
of Sweden

[73] Assignee: VME Industries Sweden AB,  
Eskilstuna, Sweden

[\*\*] Term: 14 Years

[21] Appl. No.: 2,858

[22] Filed: Dec. 22, 1992

[30] Foreign Application Priority Data

Jun. 22, 1992 [SE]	Sweden	92-1346
[52] U.S. Cl.		D15/32
[58] Field of Search	37/381, 407, 411, 442, 37/444-446; 414/722; D15/10, 22-26, 28, 29,	32

[56] References Cited

U.S. PATENT DOCUMENTS

D. 312,261	11/1990	Burke	.....	D15/32
3,014,293	12/1961	Boatman et al.	.....	37/446
3,897,641	8/1975	Moser	.....	37/444
4,395,193	7/1983	Christensen et al.	.....	37/444
4,523,397	6/1985	Lucas	.....	414/722
4,633,601	1/1987	Fleck et al.	.....	414/722
4,859,130	8/1989	Langenfeld et al.	.....	414/722

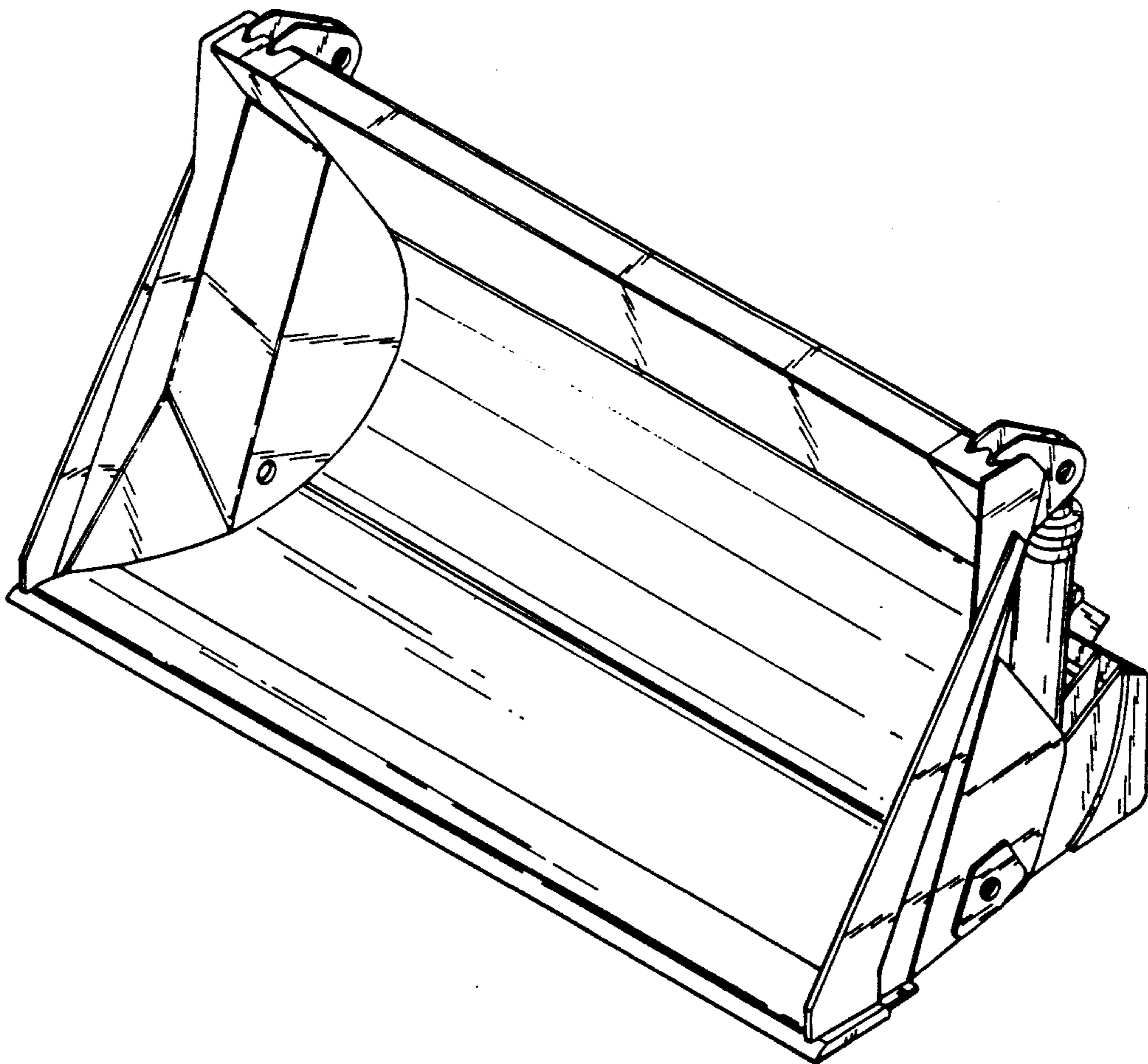
Primary Examiner—Bernard Ansher  
Assistant Examiner—Sandra Morris  
Attorney, Agent, or Firm—Young & Thompson

[57] CLAIM

The ornamental design for an excavating shovel, as shown.

DESCRIPTION

FIG. 1 is a front side perspective view of an excavating shovel, showing our new design;  
FIG. 2 is a rear side perspective view thereof;  
FIG. 3 is a left side elevational view thereof; and,  
FIG. 4 is a right side elevational view thereof.



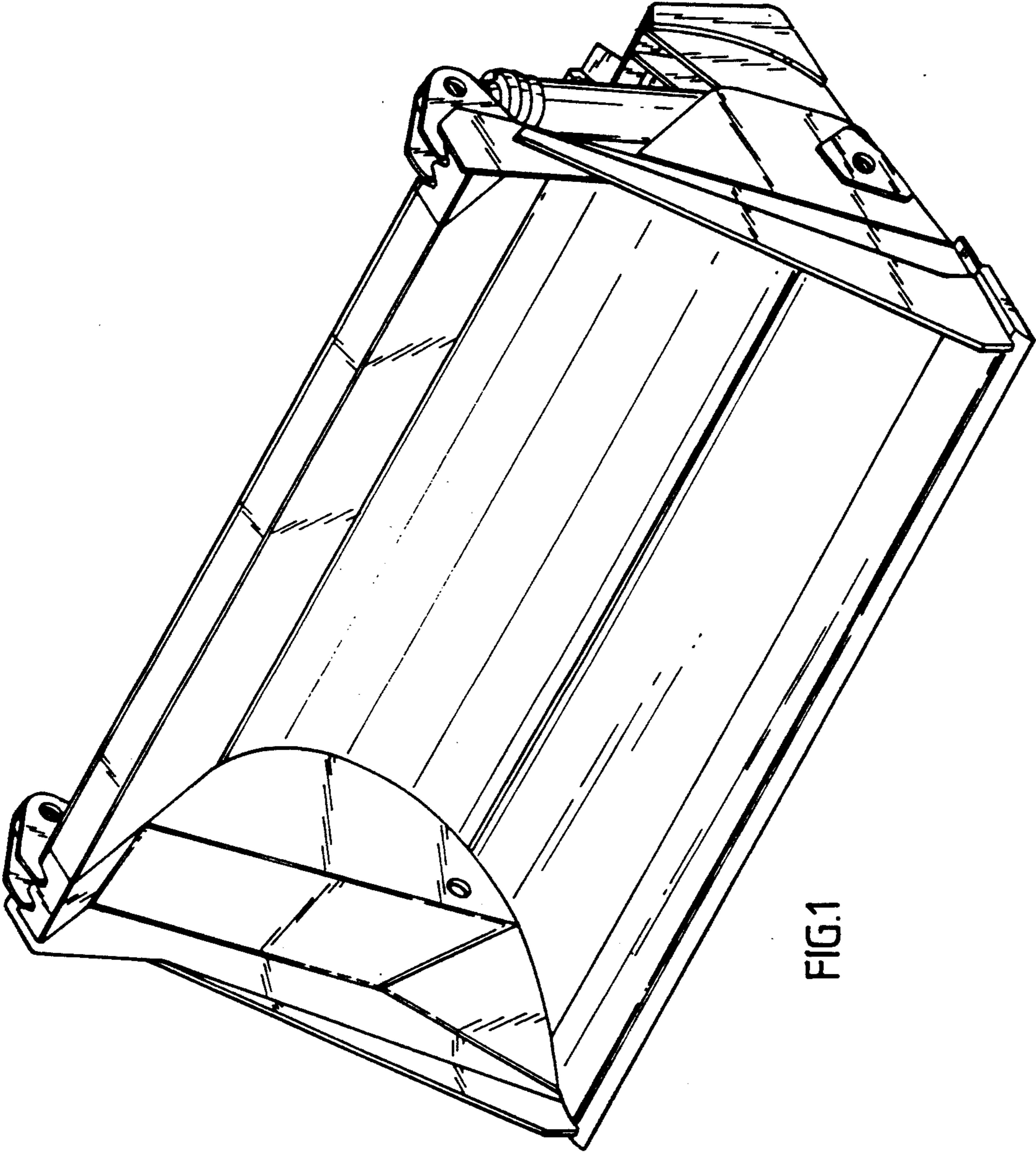


FIG.1

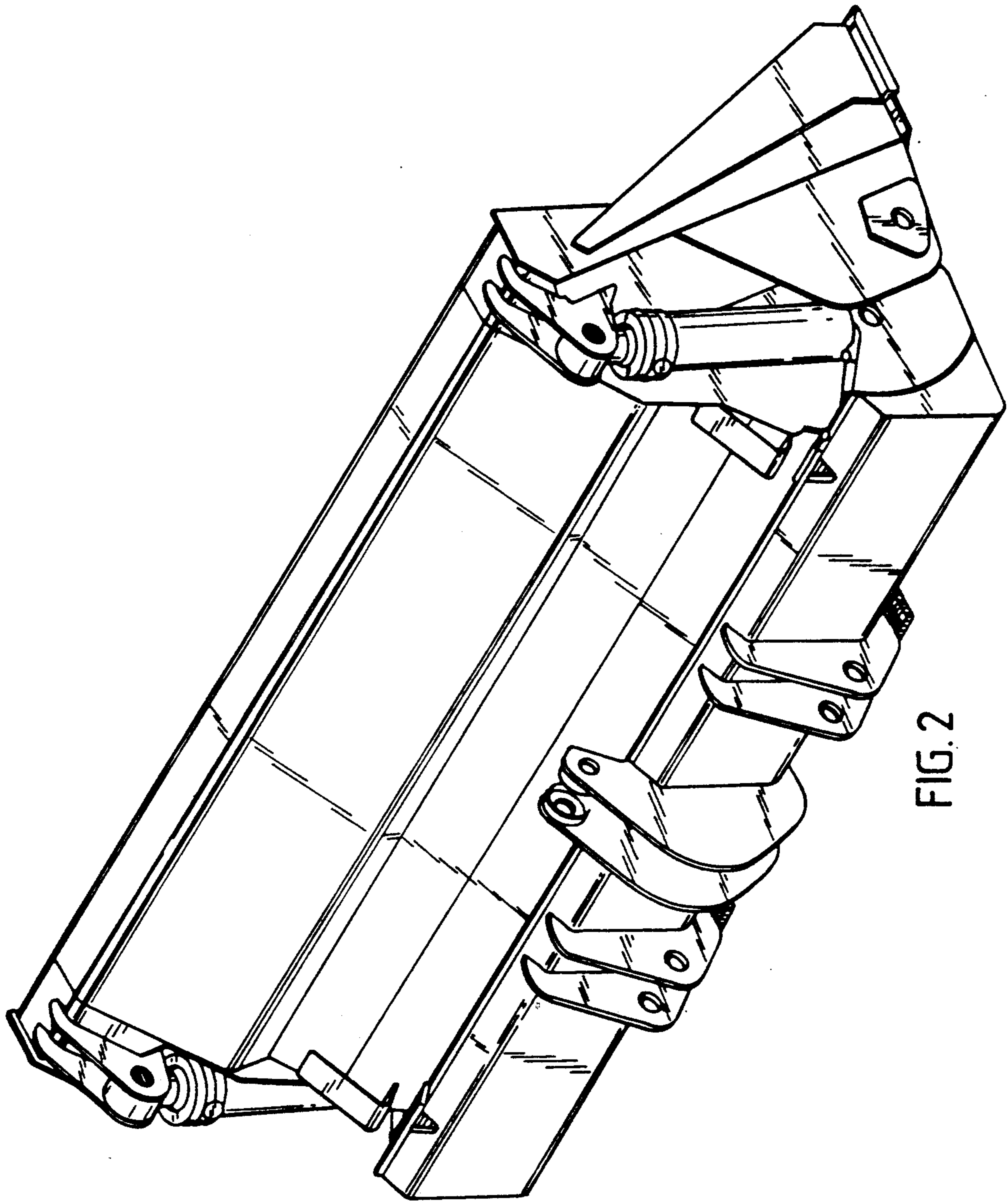


FIG. 2

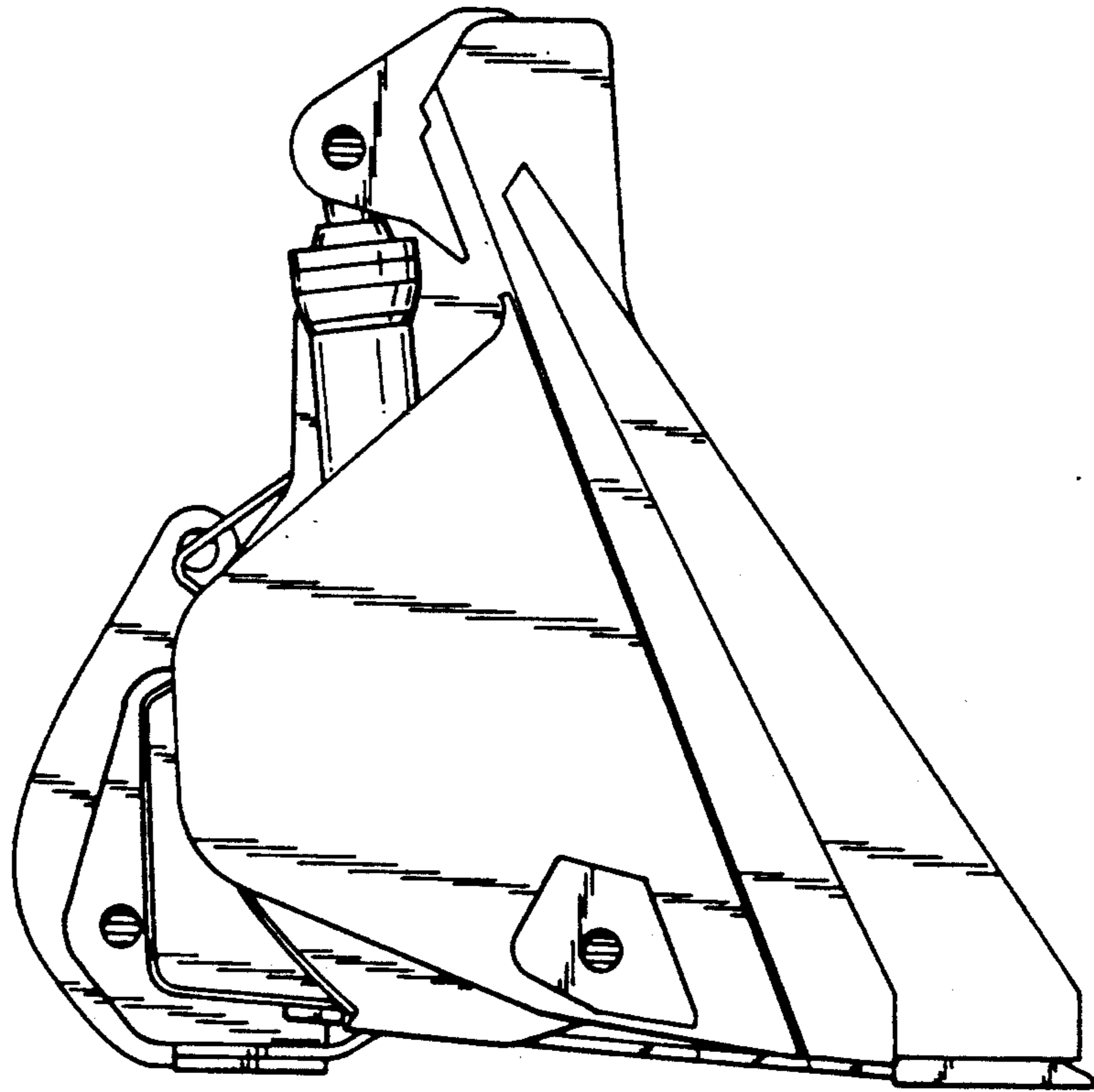


FIG. 3

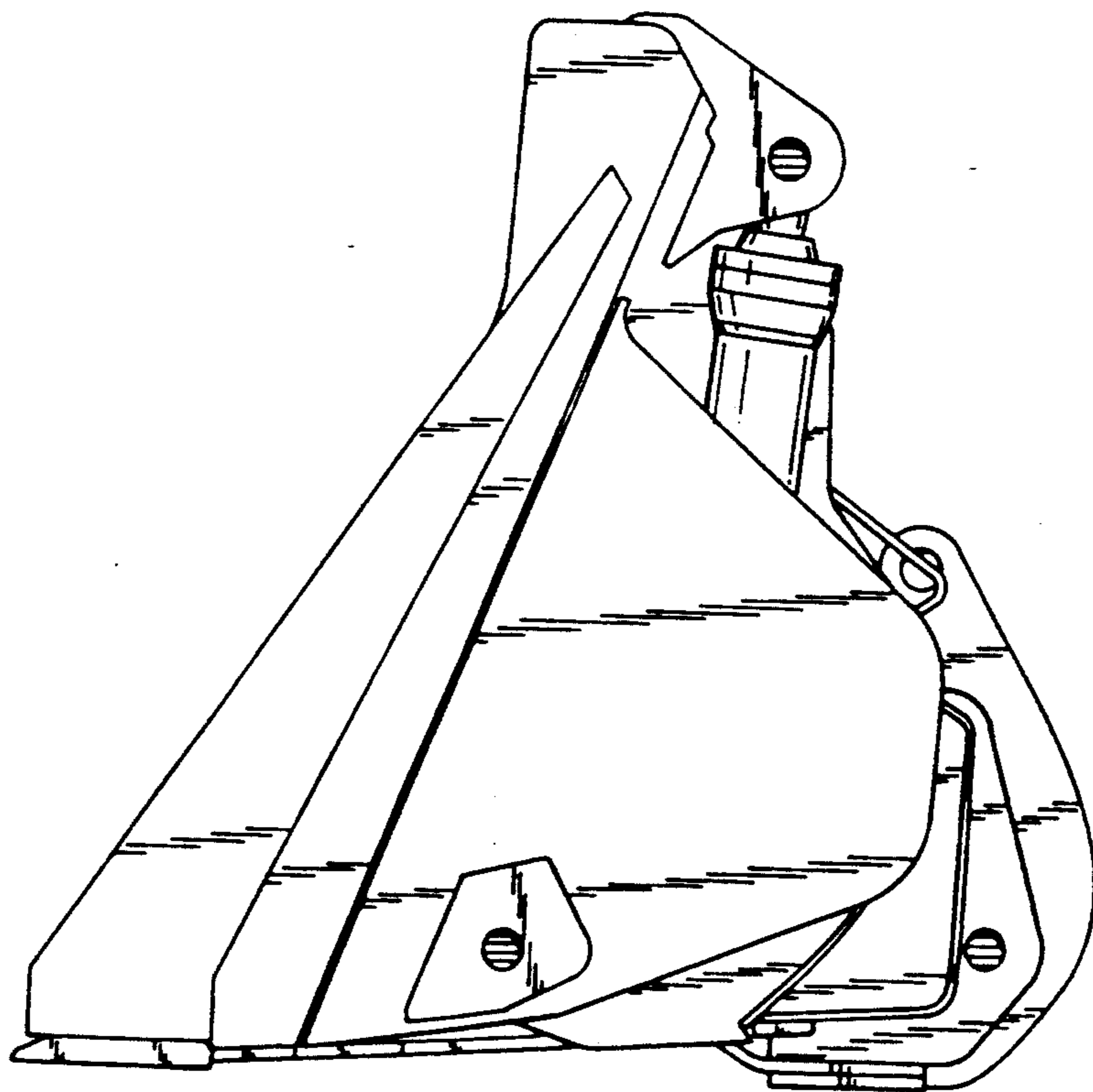


FIG. 4