



US00D344521S

# United States Patent [19]

[11] Patent Number: **Des. 344,521**

Dezonne et al.

[45] Date of Patent: **\*\* Feb. 22, 1994**

[54] **CONSOLE FOR USE IN AN AUTOMATIC CALL DISTRIBUTION SYSTEM**

D. 313,600 1/1991 Weber ..... D14/240 X  
D. 335,653 5/1993 Rak ..... D14/137 X

[75] Inventors: **Anthony J. Dezonne**, Downers Grove; **John P. Lenihan**, Wheaton, both of Ill.

*Primary Examiner*—Alan P. Douglas  
*Assistant Examiner*—Jeffrey Asch  
*Attorney, Agent, or Firm*—C. B. Patti; H. F. Hamann

[73] Assignee: **Rockwell International Corporation**, El Segundo, Calif.

[57] **CLAIM**

[\*\*] Term: **14 Years**

The ornamental design for a console for use in an automatic call distribution system, as shown and described.

[21] Appl. No.: **1,472**

**DESCRIPTION**

[22] Filed: **Nov. 16, 1992**

FIG. 1 is a perspective view of a console for use in an automatic call distribution system showing our new design;

[52] U.S. Cl. .... **D14/241**

FIG. 2 is a view of one side of the console for use in an automatic call distribution system of FIG. 1;

[58] Field of Search ..... 379/419, 420, 428, 440, 379/434-436, 441, 442; D14/137, 240, 241, 140, 142, 149-151

FIG. 3 is a view of the other side of the console for use in an automatic call distribution system of FIG. 1;

[56] **References Cited**

**U.S. PATENT DOCUMENTS**

- D. 300,320 3/1989 Watanabe et al. .... D14/241
- D. 303,801 10/1989 Kido et al. .... D14/241
- D. 304,727 11/1989 Barker et al. .... D14/241
- D. 307,588 5/1990 Barker et al. .... D14/151 X
- D. 310,524 9/1990 Utsuki et al. .... D14/241 X

FIG. 4 is a top view of the console for use in an automatic call distribution system of FIG. 1;

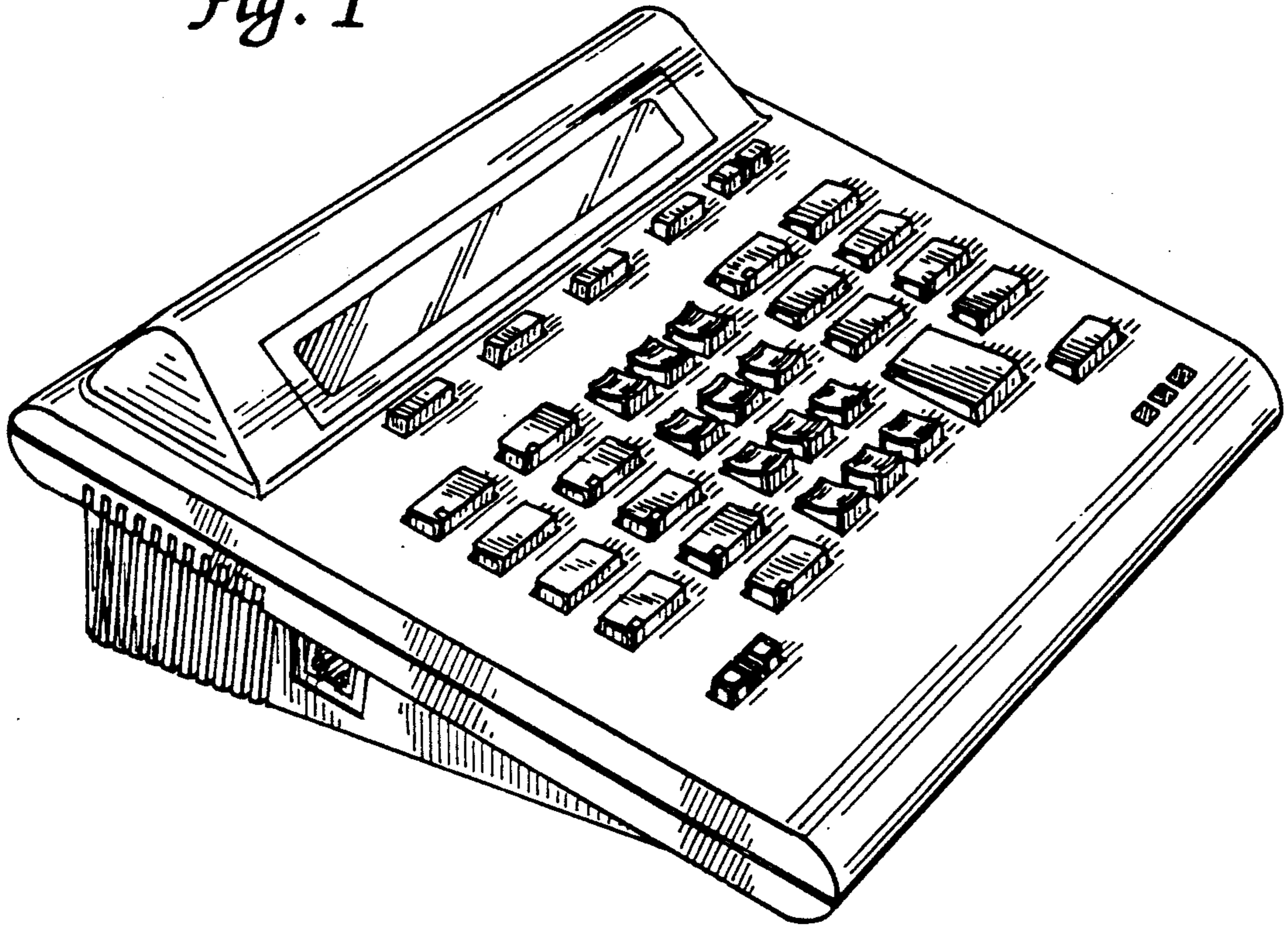
FIG. 5 is a front view of the console for use in automatic call distribution system of FIG. 1;

FIG. 6 is a bottom view of the console for use in an automatic call distribution system of FIG. 1; and,

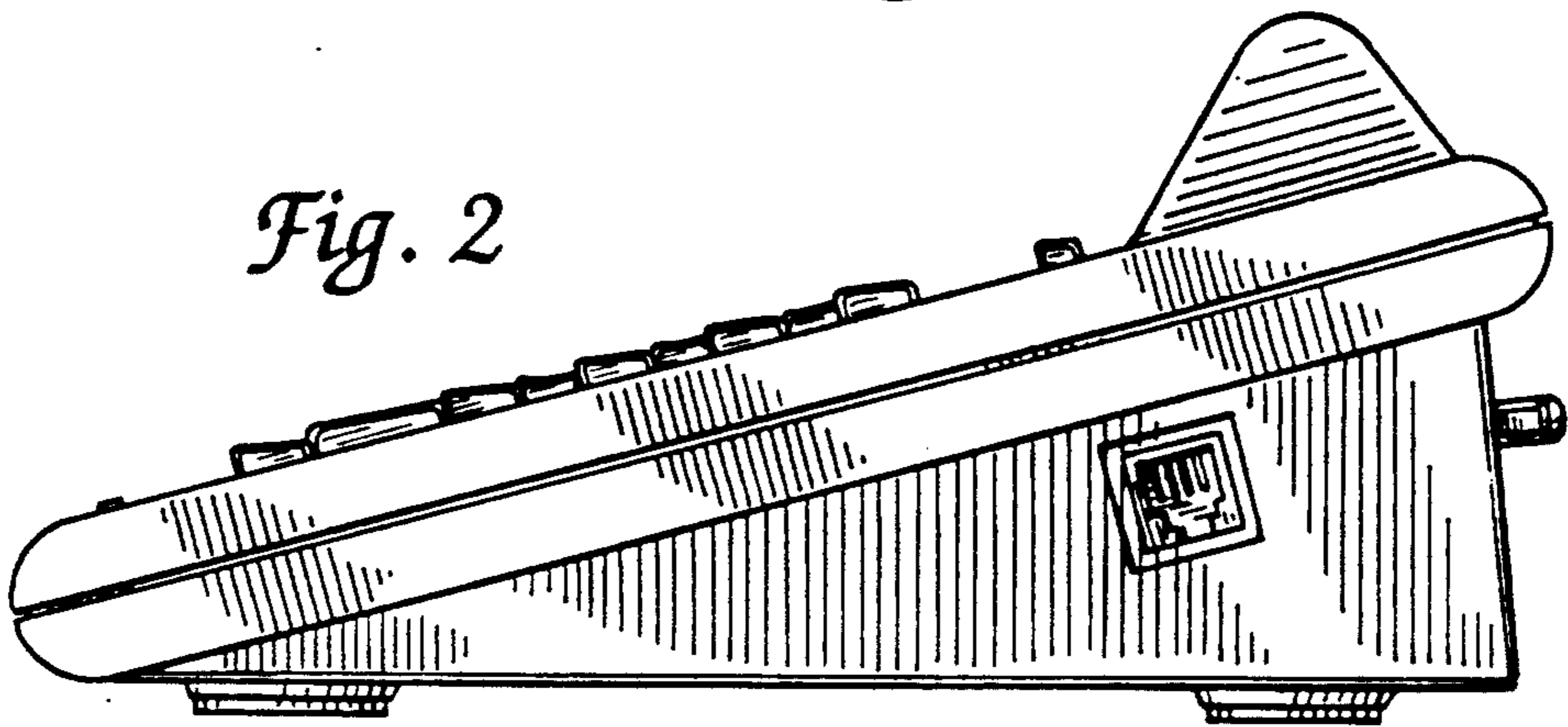
FIG. 7 is a rear view of the console for use in an automatic call distribution system of FIG. 1.



*Fig. 1*



*Fig. 2*



*Fig. 3*

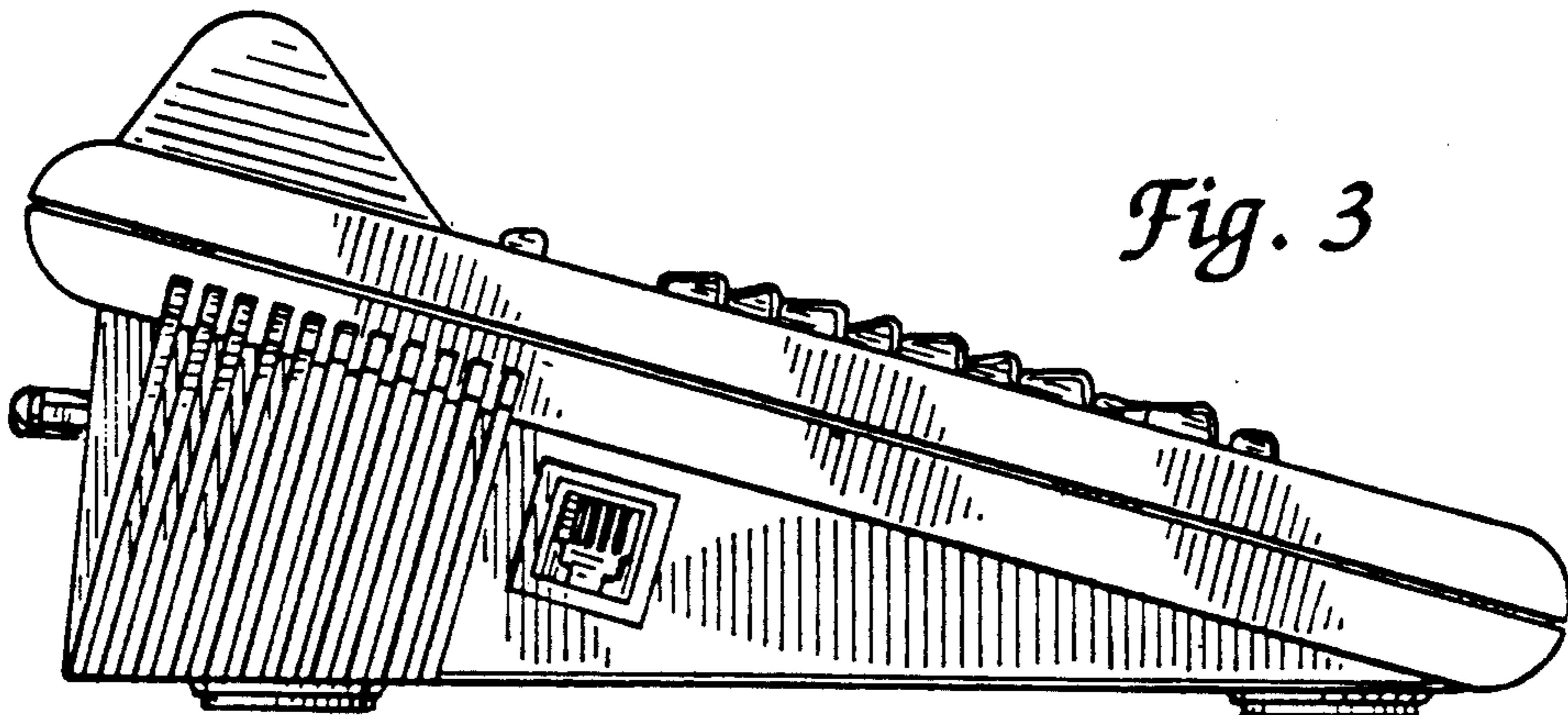


Fig. 4

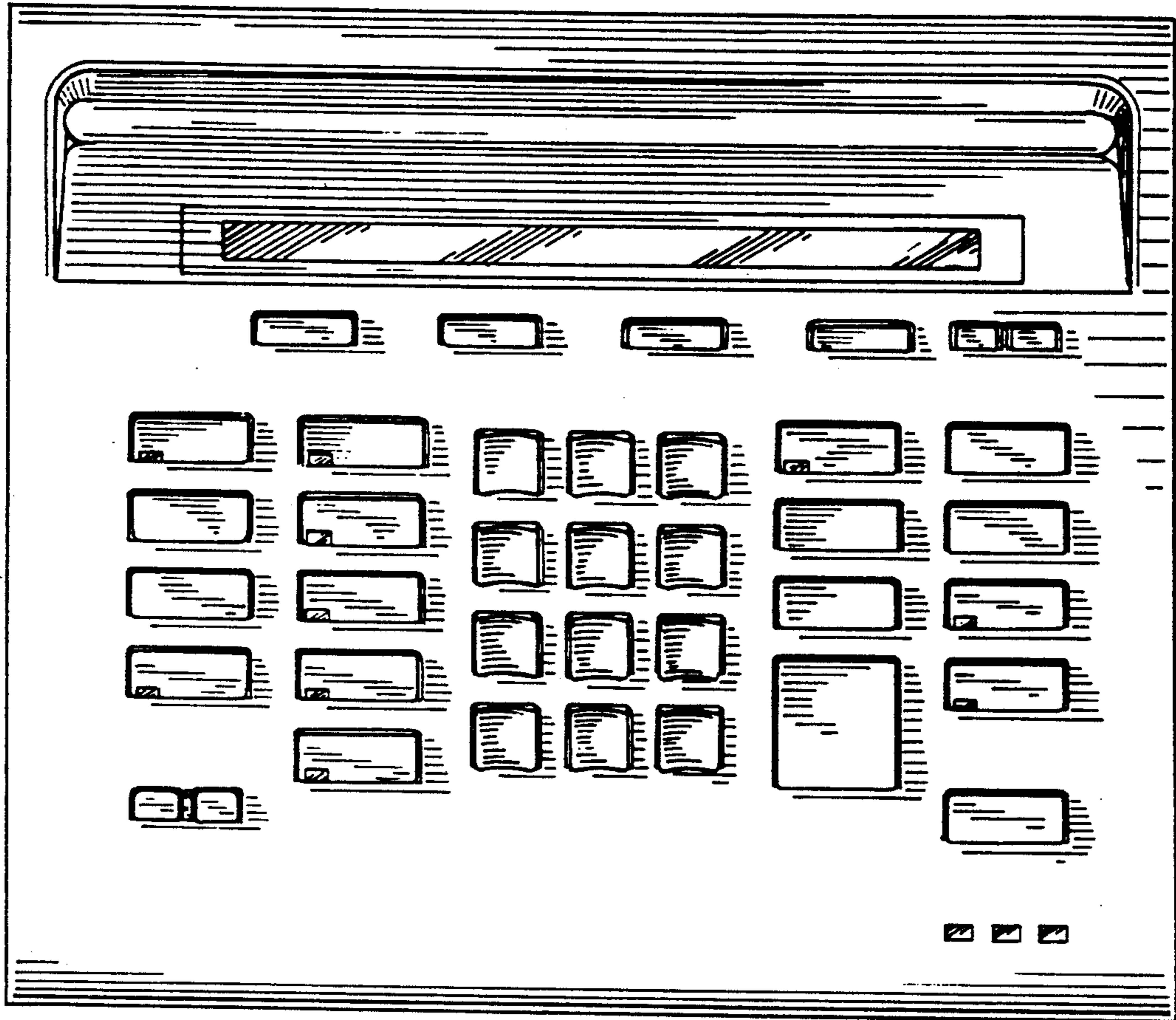
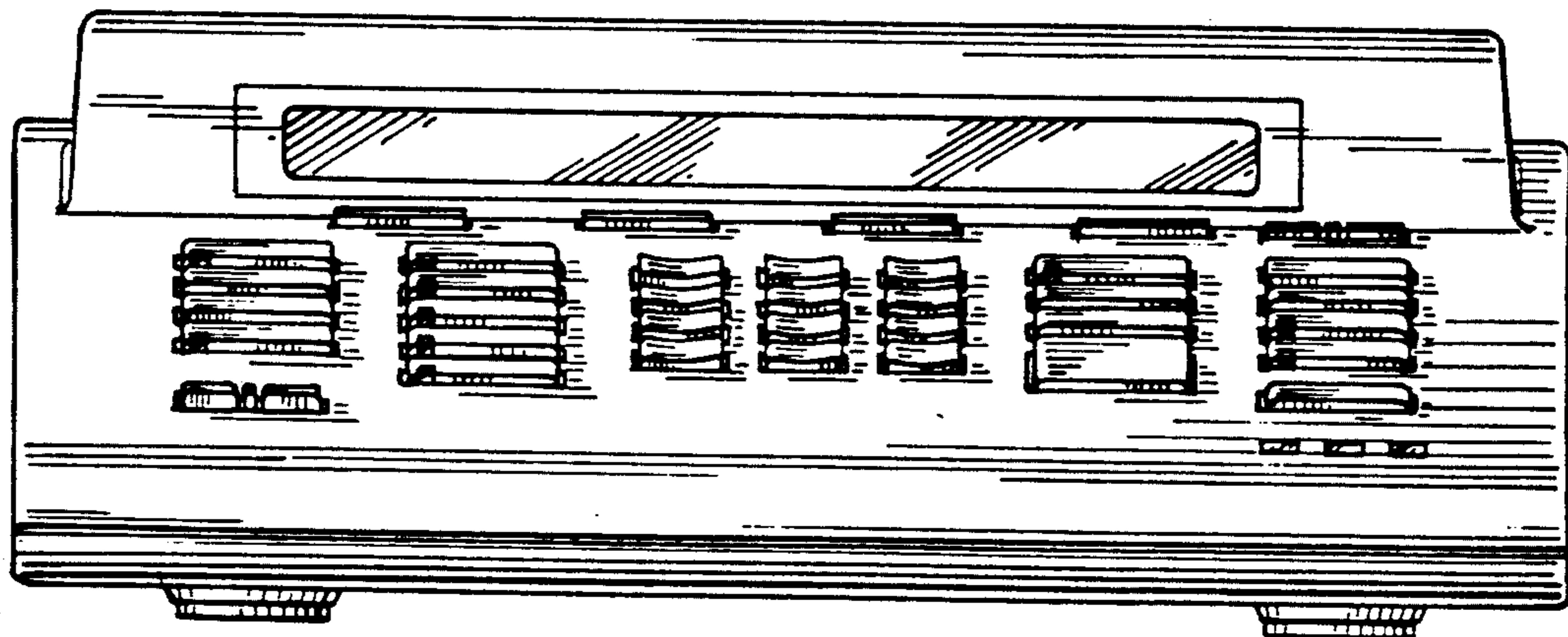
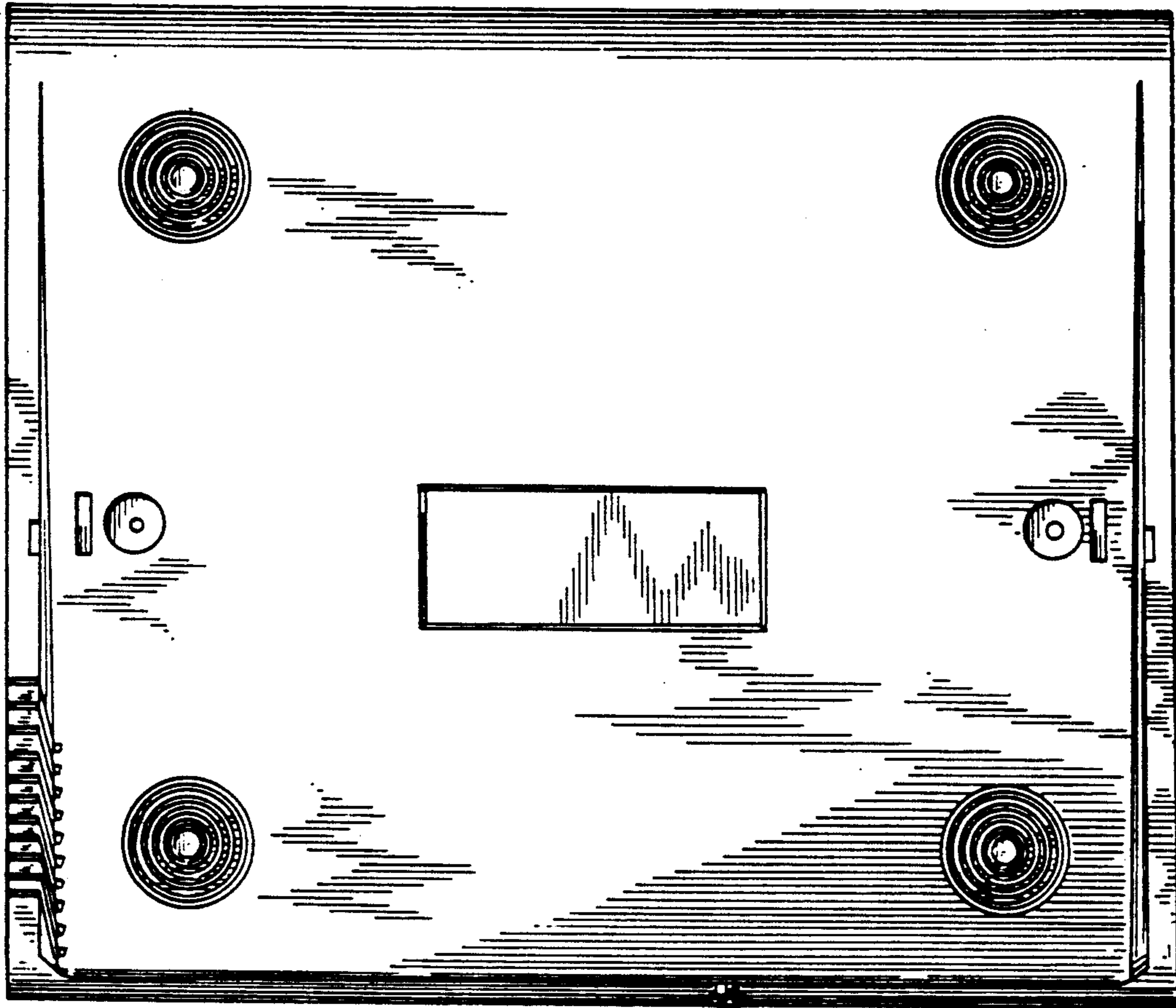


Fig. 5



*Fig. 6*



*Fig. 7*

