



US00D344515S

United States Patent [19]

[11] Patent Number: **Des. 344,515**

Bales et al.

[45] Date of Patent: **** Feb. 22, 1994**

[54] **TELEPHONE BASE**

[75] Inventors: **Harold D. Bales, New Palestine, Ind.; Daniel K. Harden; Barbara H. Saucedo, both of Palo Alto, Calif.; Paul J. Straub, Mooresville, Ind.**

[73] Assignee: **AT&T Bell Laboratories, Murray Hill, N.J.**

[**] Term: **14 Years**

[21] Appl. No.: **952,167**

[22] Filed: **Sep. 28, 1992**

[52] U.S. Cl. **D14/149**

[58] Field of Search 379/419, 428, 440, 434, 379/435, 436; D14/140, 142, 149-151, 251-253, 240, 241

[56] **References Cited**

U.S. PATENT DOCUMENTS

- D. 231,836 6/1974 Genaro et al. D26/14
- D. 254,669 4/1980 Janda D14/149
- D. 271,971 12/1983 Genaro et al. D14/149
- D. 273,909 5/1984 Genaro et al. D14/149

- D. 275,483 9/1984 Genaro et al. D14/60
- D. 275,568 9/1984 Marshall D14/149
- D. 282,257 1/1986 Felix et al. D14/60
- D. 283,814 5/1986 Genaro et al. D14/149
- D. 297,636 9/1988 Armani D14/147

Primary Examiner—Nelson C. Holtje
Assistant Examiner—Jeffrey Asch
Attorney, Agent, or Firm—Michael A. Morra

[57] **CLAIM**

The ornamental design for a telephone base, as shown and described.

DESCRIPTION

FIG. 1 is a top, front and side perspective view of a telephone base showing our new design; FIG. 2 is a top plan view thereof; FIG. 3 is a side elevational view of the telephone base, the opposite side being a mirror-image thereof; and, FIG. 4 is an end elevational view of the telephone base, the opposite end being identical therewith. The broken line showing of a handset and cord in FIG. 1 is for illustrative purposes only and forms no part of the claimed design.

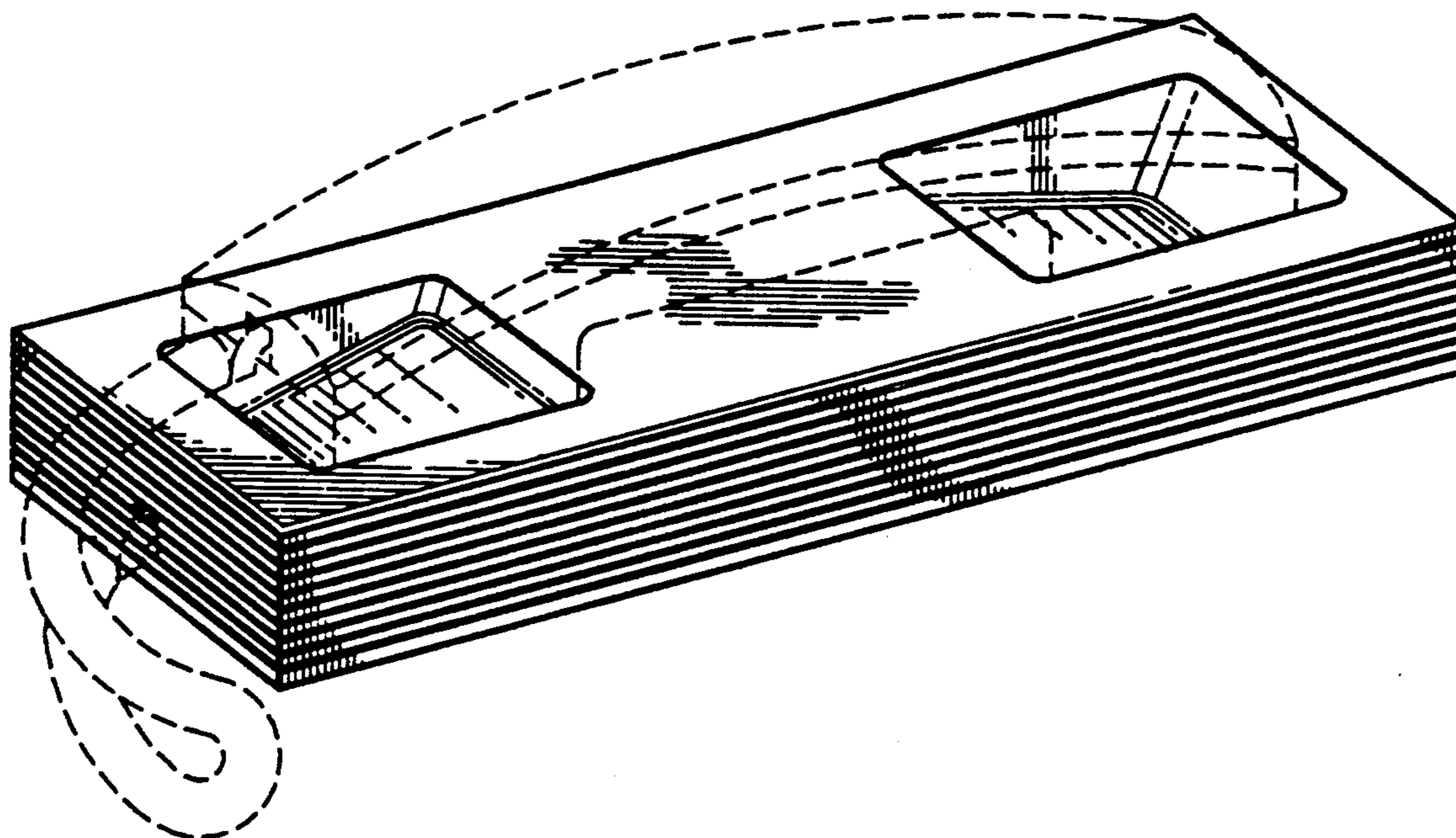


Fig. 1

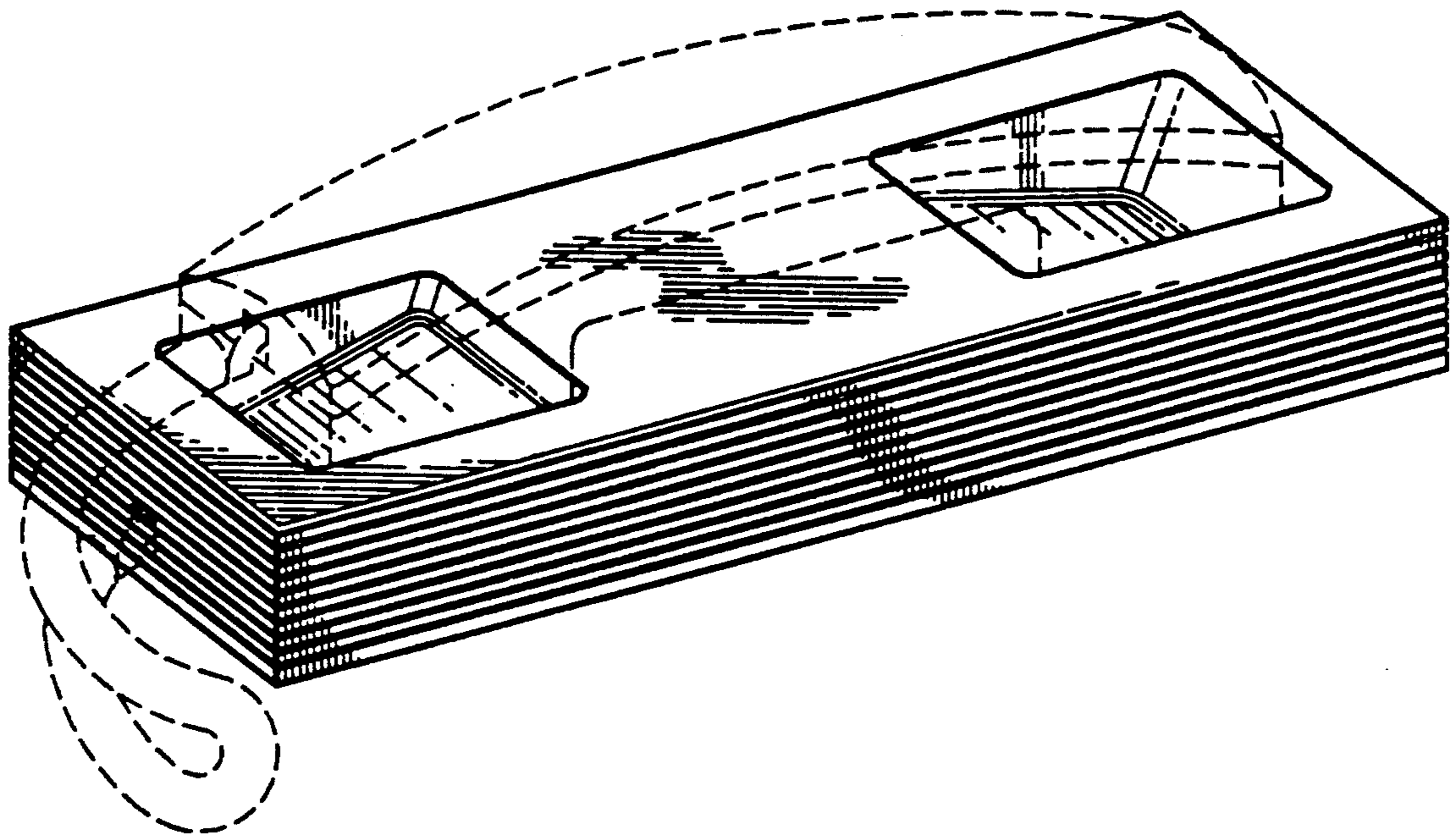


Fig. 2

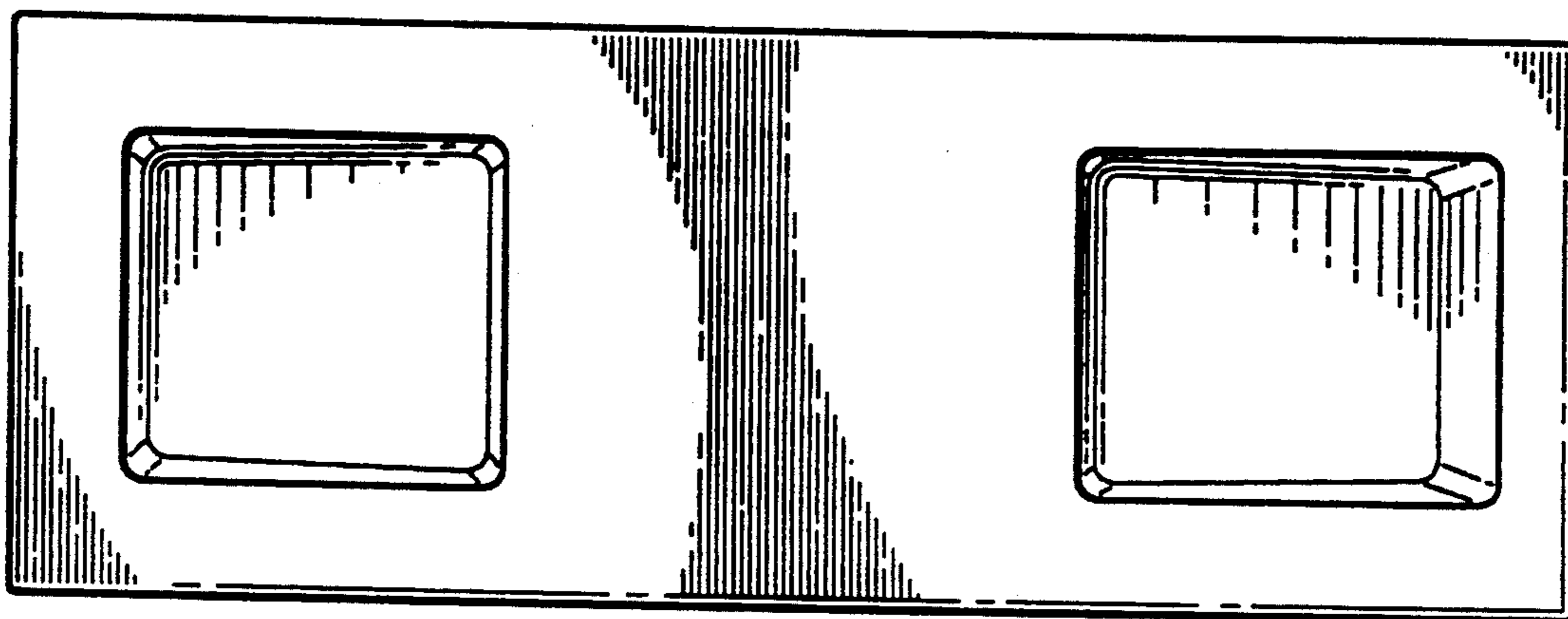


Fig. 3

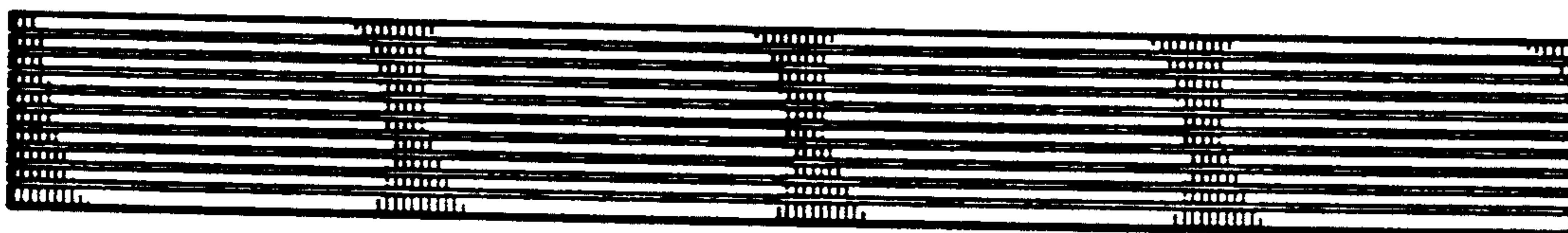


Fig. 4

