



US00D344511S

United States Patent [19]

Ansai et al.

[11] Patent Number: **Des. 344,511**

[45] Date of Patent: **** Feb. 22, 1994**

[54] **RADIO HOUSING**

[75] Inventors: **Russell Ansai**, Chicago; **Allen Wong**, Streamwood; **John P. Murzanski**, Schaumburg; **Anthony Scianna, Sr.**, Morton Grove; **Andrew W. Ill**, Arlington Heights, all of Ill.

[73] Assignee: **Motorola, Inc.**, Schaumburg, Ill.

[*] Notice: The portion of the term of this patent subsequent to Oct. 26, 2007 has been disclaimed.

[**] Term: **14 Years**

[21] Appl. No.: **660,115**

[22] Filed: **Feb. 22, 1991**

[52] U.S. Cl. **D14/137**

[58] Field of Search 455/73, 89-90, 455/345-347; D14/137-138, 157, 188, 257-258, 184

[56] **References Cited**

U.S. PATENT DOCUMENTS

- D. 277,667 2/1985 Zurawshi D14/157
- D. 301,476 6/1989 Scianna, Sr. D14/188
- D. 310,665 9/1990 Fortune et al. D13/184 X
- D. 327,072 6/1992 Christie D14/188 X
- D. 327,260 6/1992 Davis et al. D13/184 X

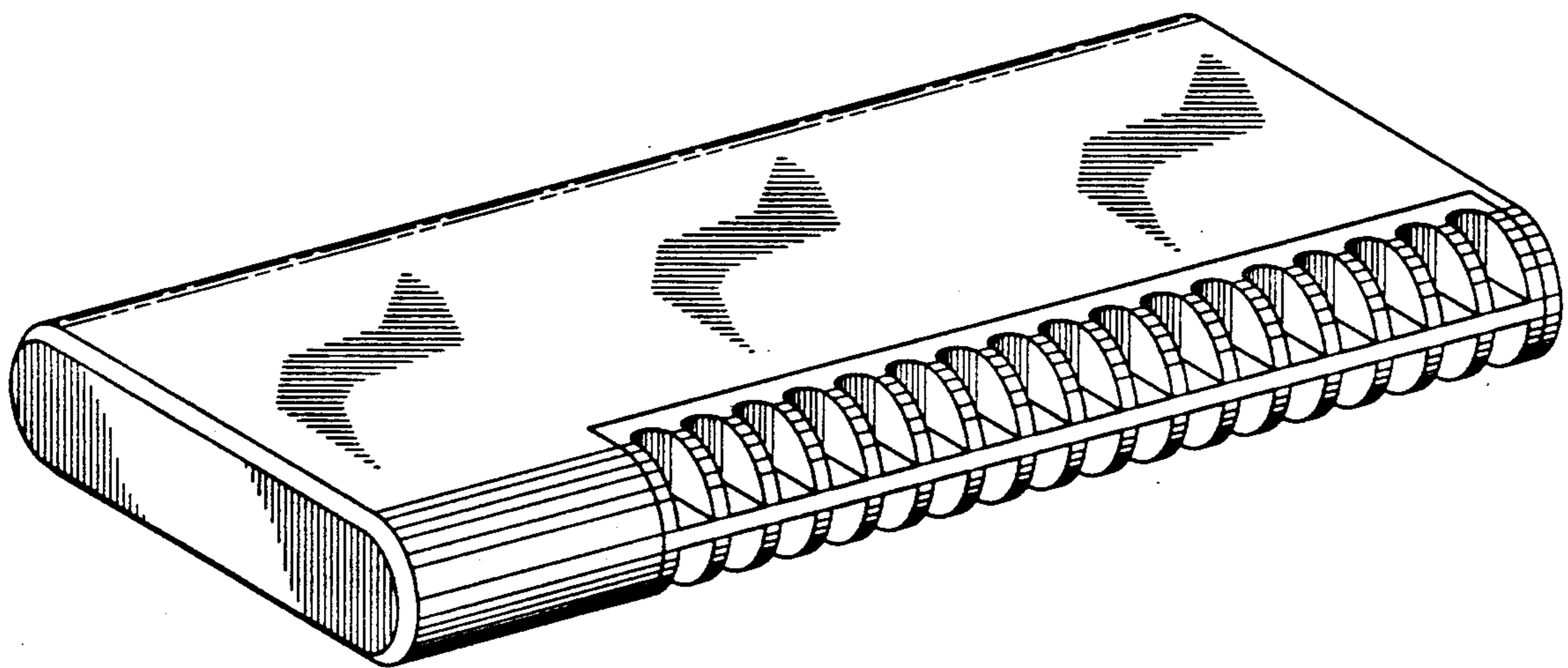
Primary Examiner—Theodore M. Shooman
Attorney, Agent, or Firm—John J. King

[57] **CLAIM**

The ornamental design for a radio housing, as shown and described.

DESCRIPTION

FIG. 1 is a front, top, and right side perspective view of a radio housing showing our new design; FIG. 2 is a bottom plan view thereof; FIG. 3 is a rear elevational view thereof; and, FIG. 4 is a left side elevational view thereof.



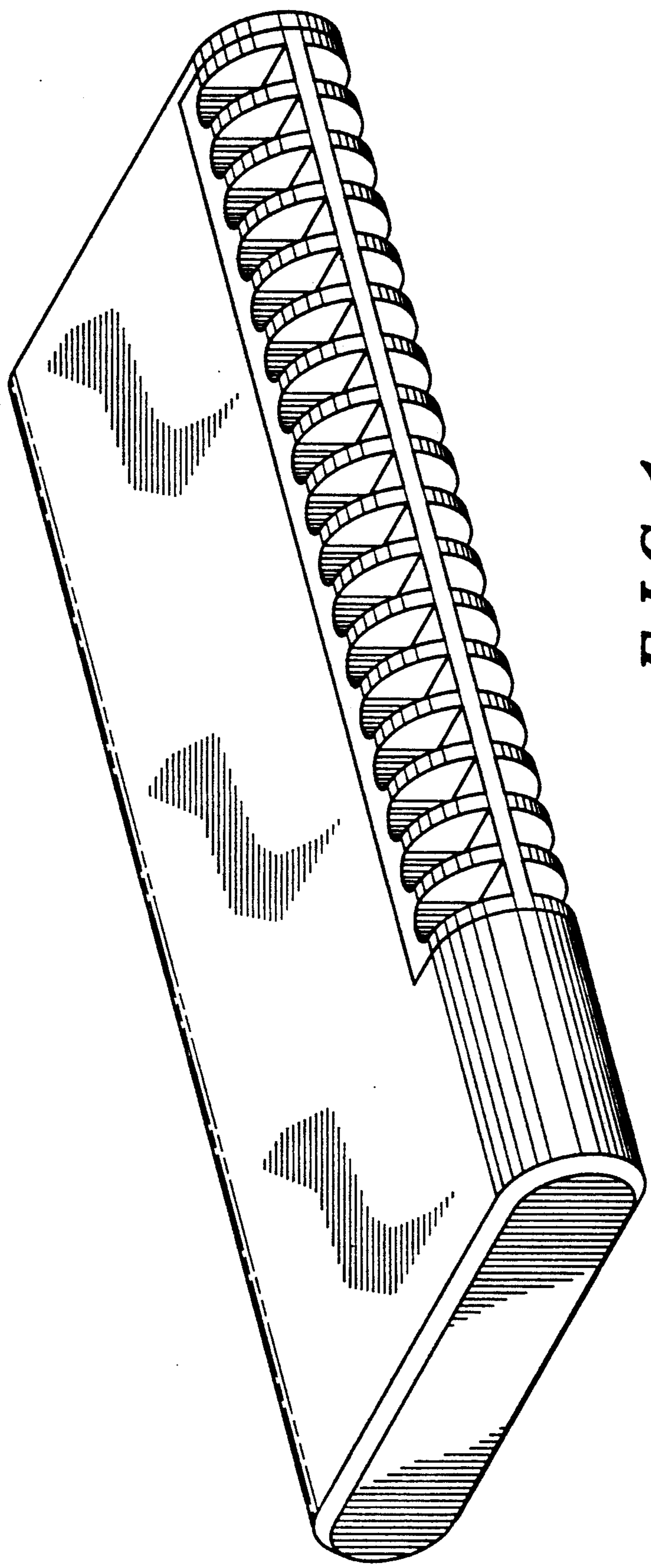


FIG. 1

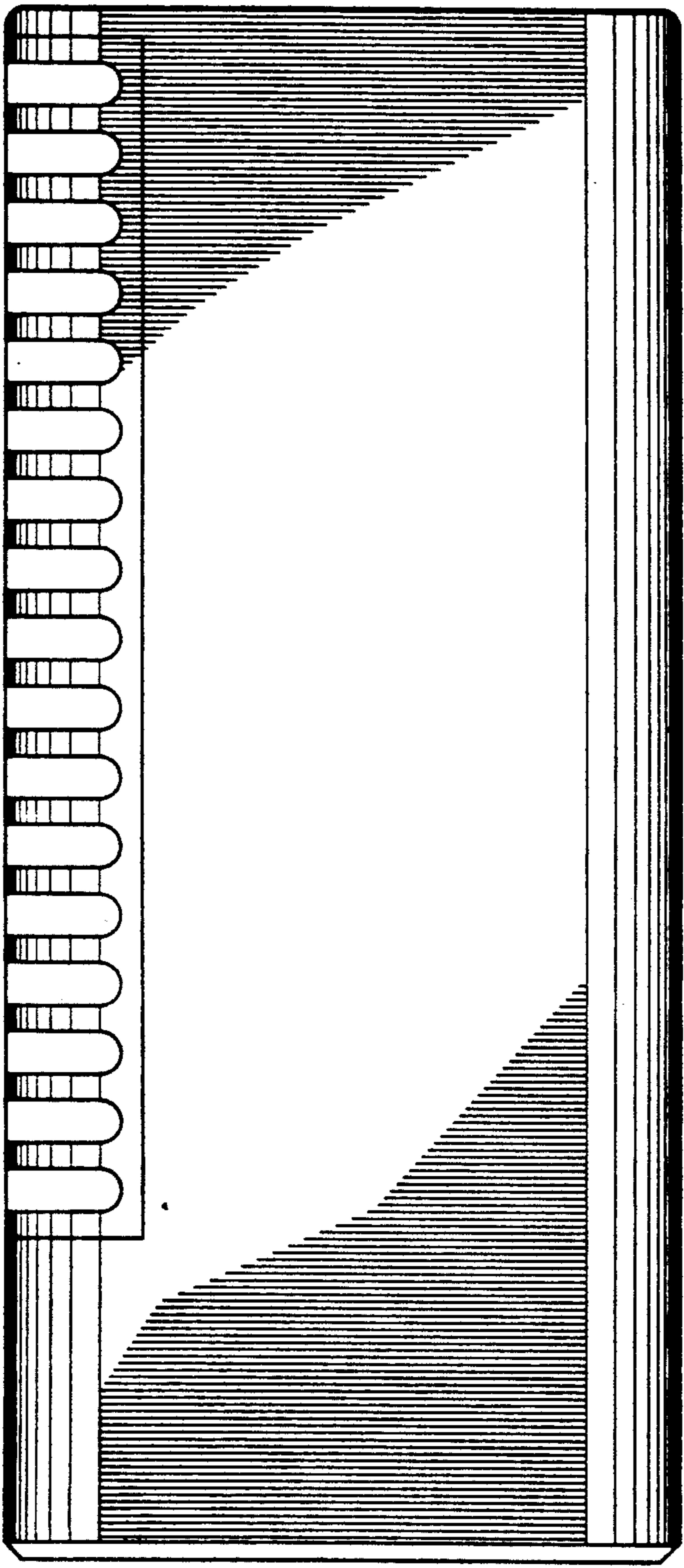


FIG. 2

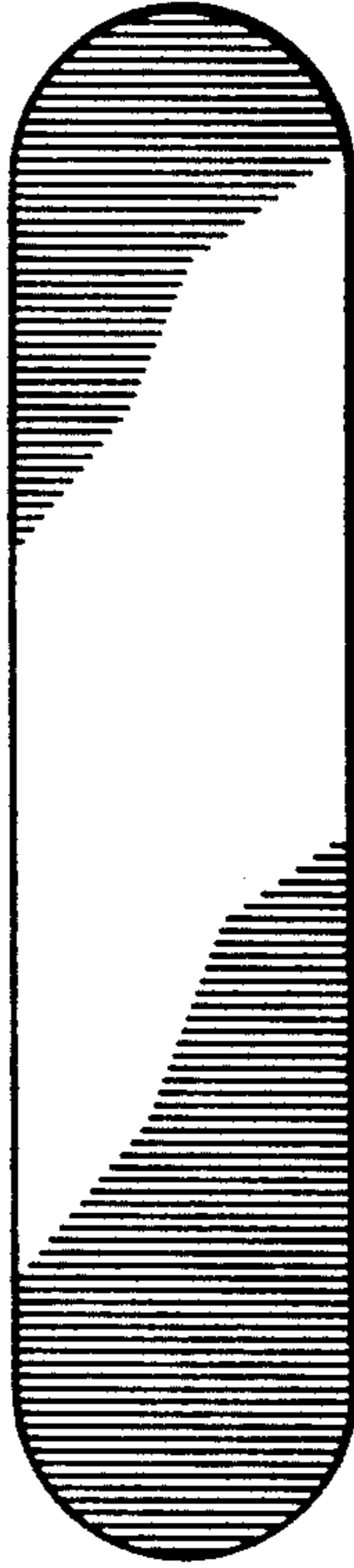


FIG. 3

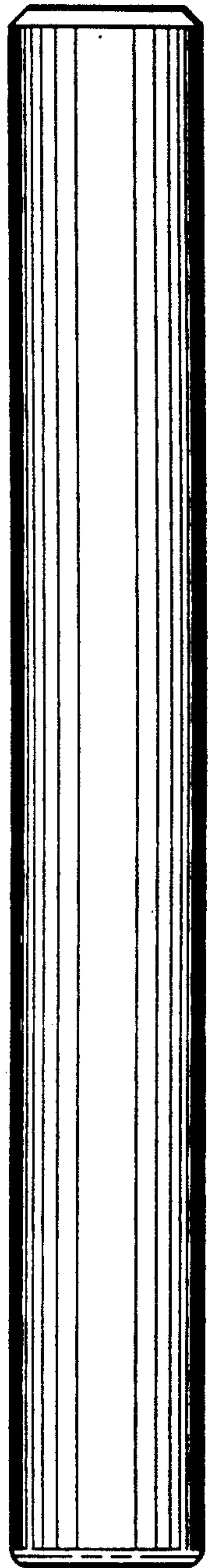


FIG. 4