



US00D344508S

United States Patent [19]

[11] Patent Number: **Des. 344,508**

Shimose et al.

[45] Date of Patent: ** Feb. 22, 1994

[54] **VIDEO TAPE RECORDER**

[75] Inventors: **Norihiko Shimose; Masami Takahashi**, both of Ehime, Japan

[73] Assignee: **Matsushita Electric Industrial Co., Ltd.**, Osaka, Japan

[**] Term: **14 Years**

[21] Appl. No.: **870,306**

[22] Filed: **Apr. 17, 1992**

[30] **Foreign Application Priority Data**

Oct. 22, 1991 [JP] Japan 3-32131

[52] U.S. Cl. **D14/135**

[58] Field of Search D14/124, 125, 135, 136, D14/217, 239, 299

[56] **References Cited**

U.S. PATENT DOCUMENTS

D. 311,534 10/1990 Ban et al. D14/135

D. 323,501 1/1992 Kim D14/136 X

D. 327,885 7/1992 Kasama et al. D14/135

D. 329,050 9/1992 Ito et al. D14/136 X

D. 339,125 9/1993 Shimose et al. D14/135

Primary Examiner—Theodore M. Shooman
Attorney, Agent, or Firm—Sughrue, Mion, Zinn, Macpeak & Seas

[57] **CLAIM**

The ornamental design for a video tape recorder, as shown and described.

DESCRIPTION

FIG. 1 is a front, top and right side perspective view of a video tape recorder showing our new design; FIG. 2 is a front elevational view thereof; FIG. 3 is a top plan view thereof; FIG. 4 is a right side elevational view thereof; FIG. 5 is a left side elevational view thereof; FIG. 6 is a rear elevational view thereof; FIG. 7 is a bottom plan view thereof; and, FIG. 8 is a front, top and right side perspective view thereof with a front panel cover pivoted to open position providing access for a video tape cartridge.

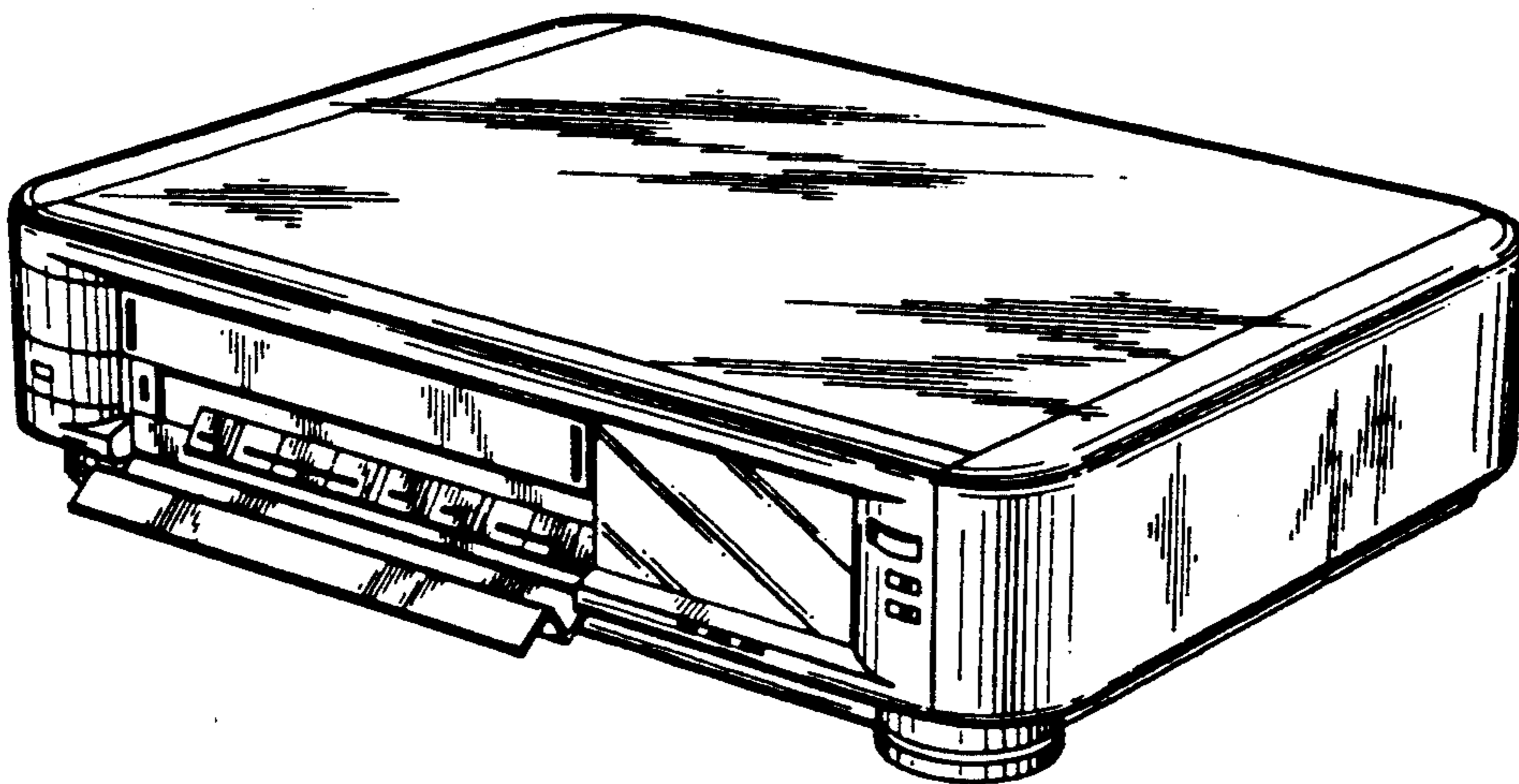
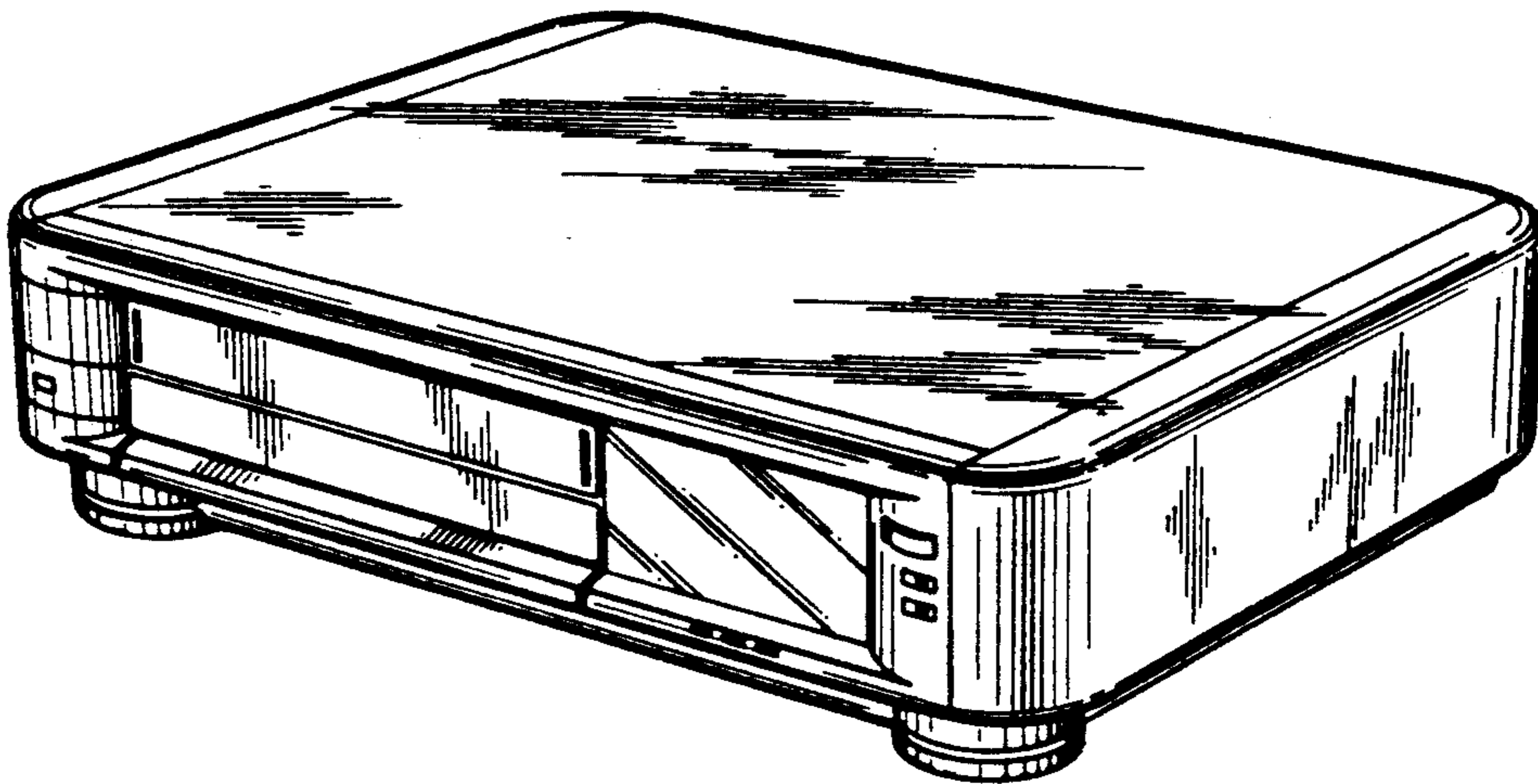


FIG. 1

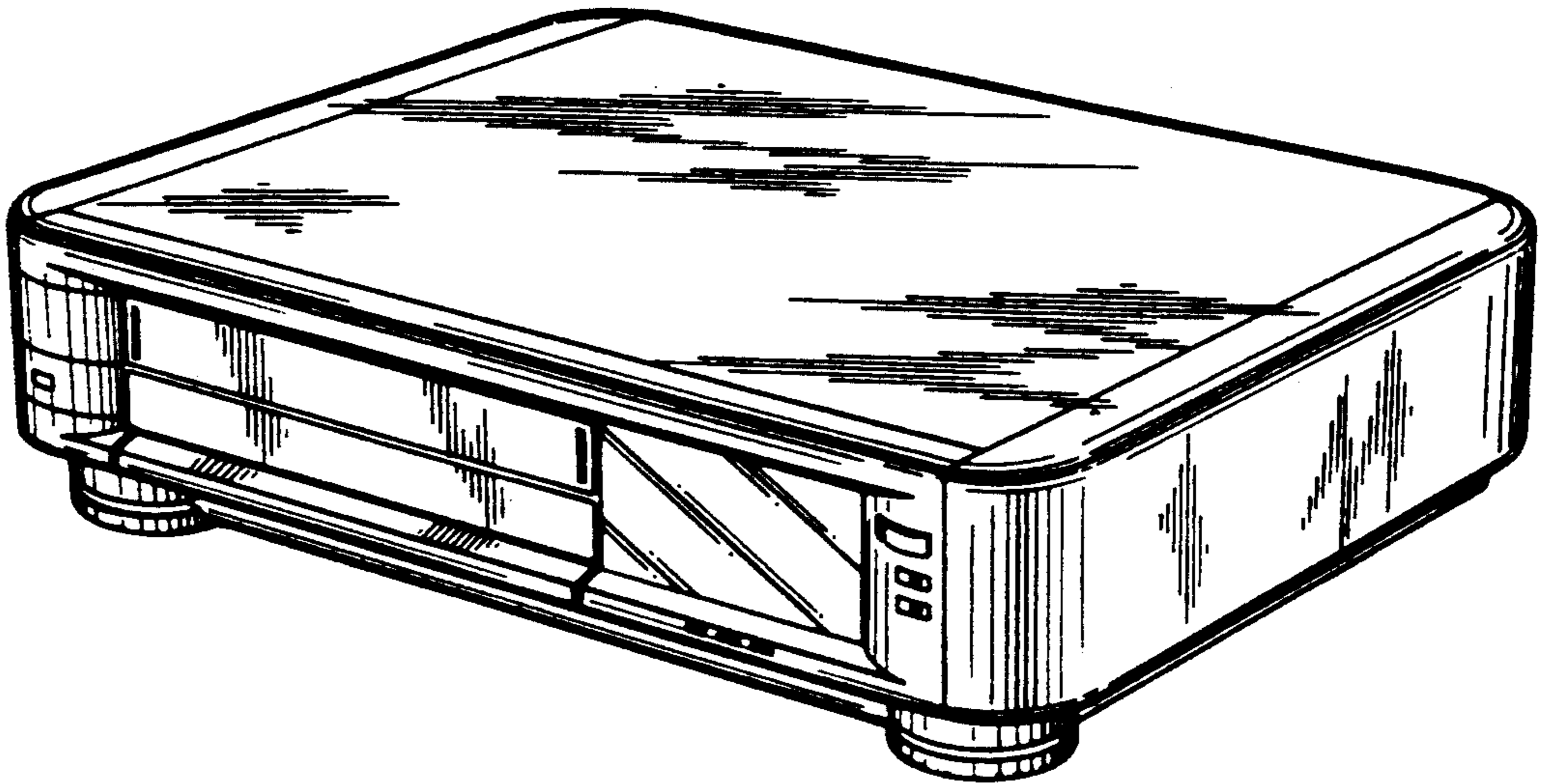


FIG. 2

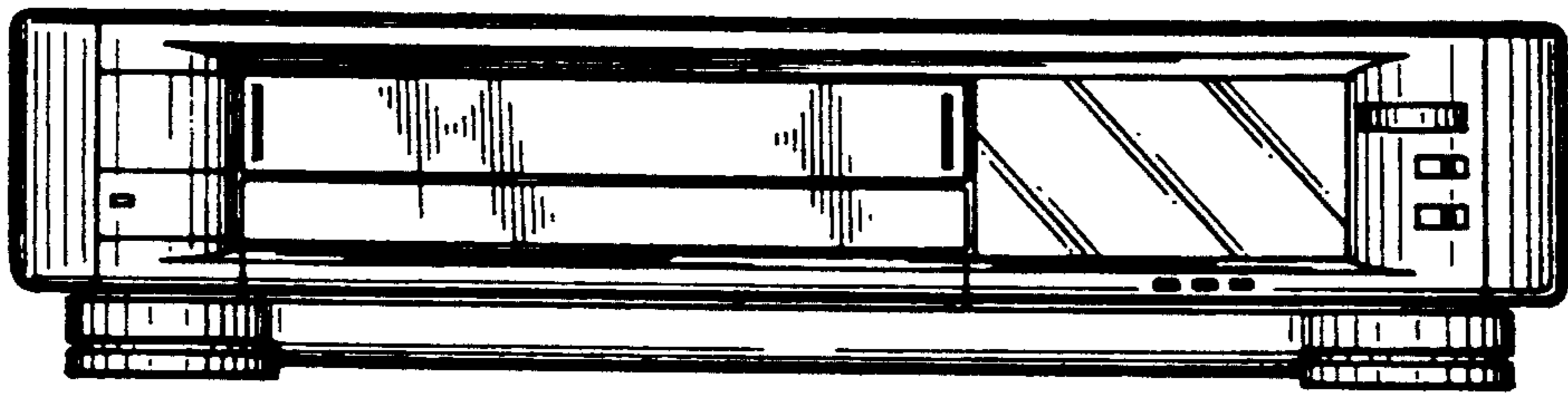


FIG. 3

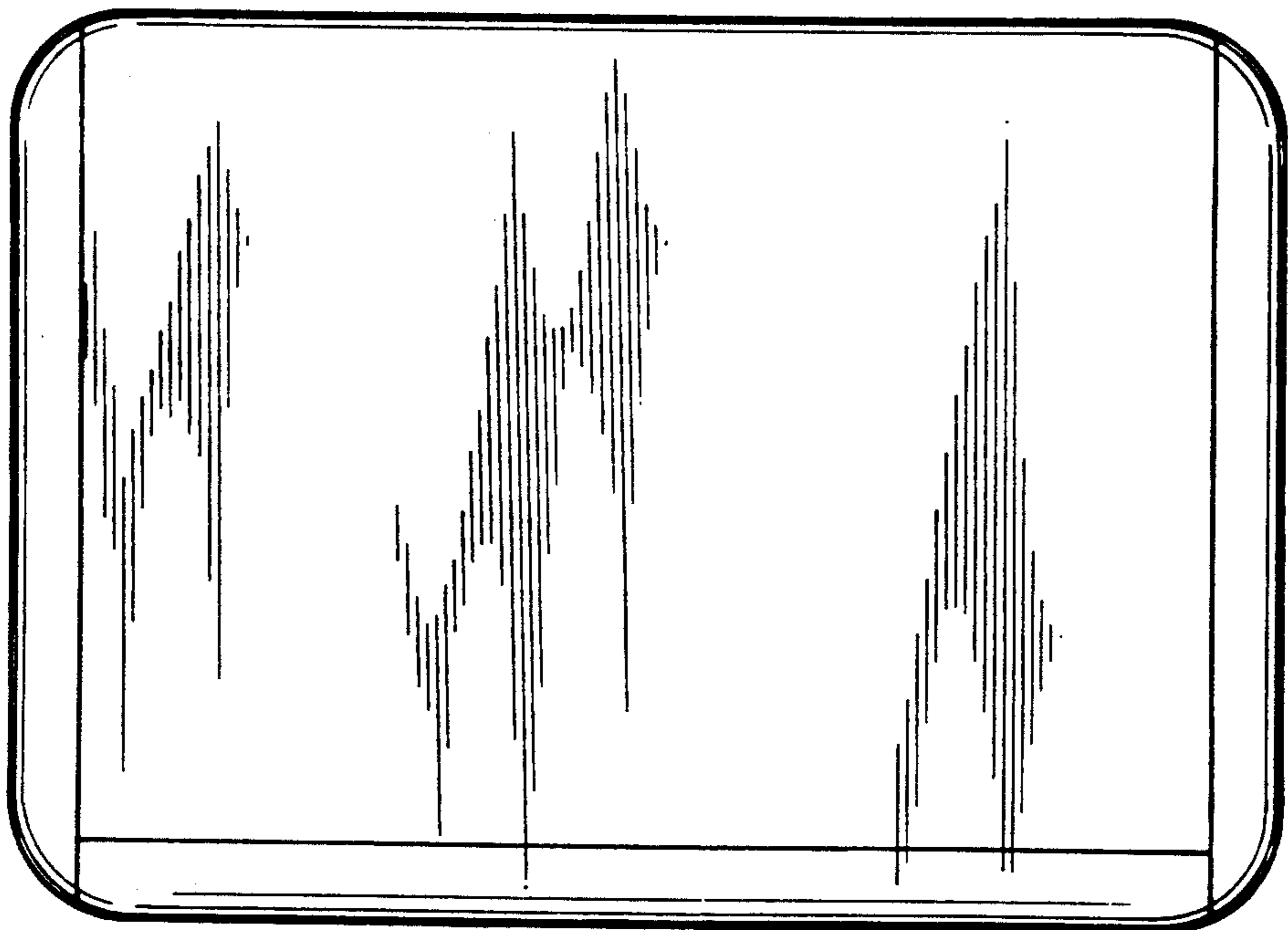


FIG. 4

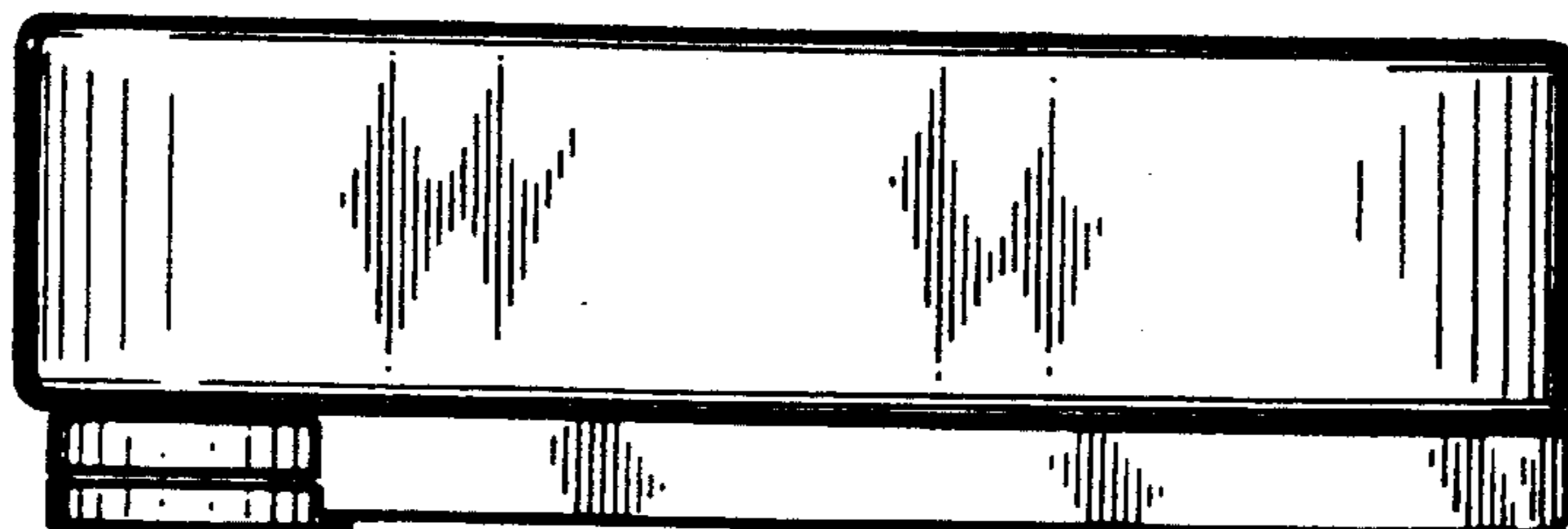


FIG. 5

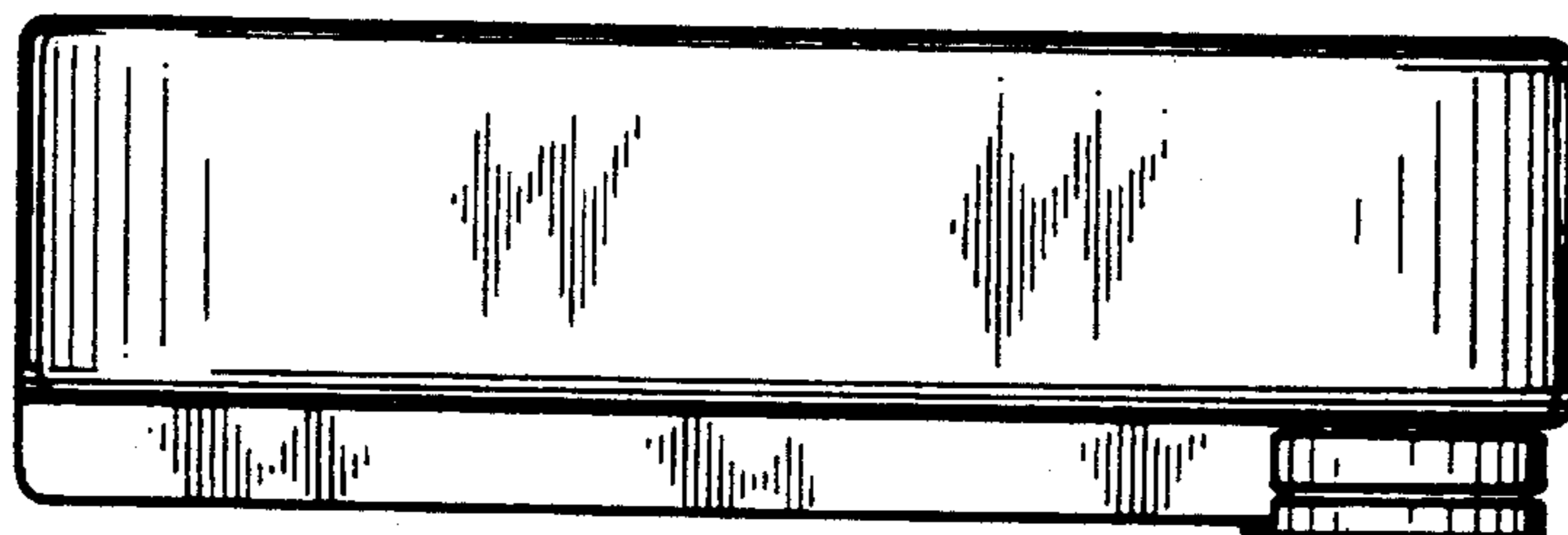


FIG. 6

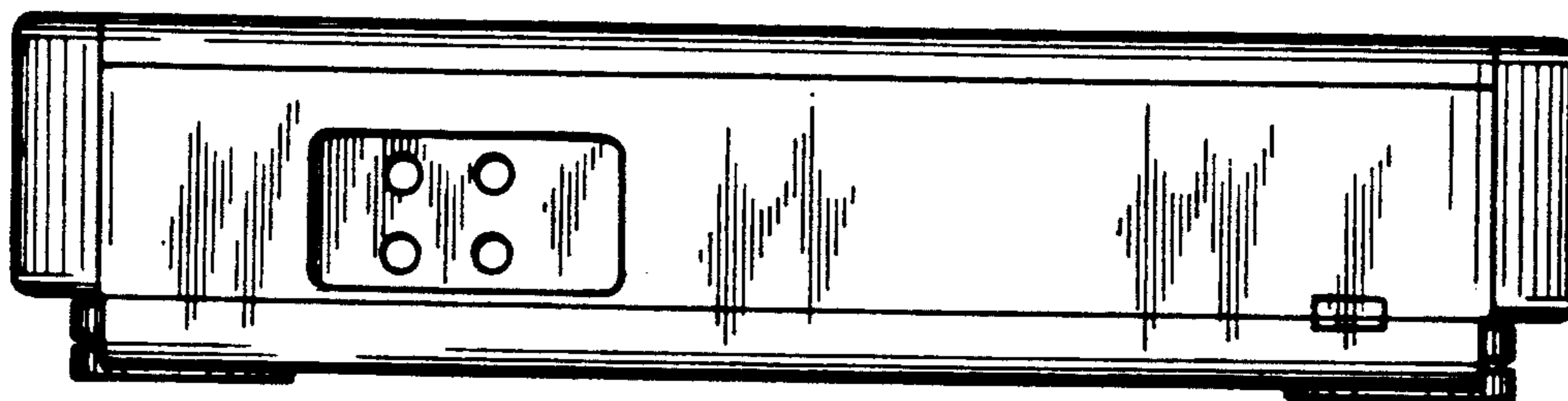


FIG. 7

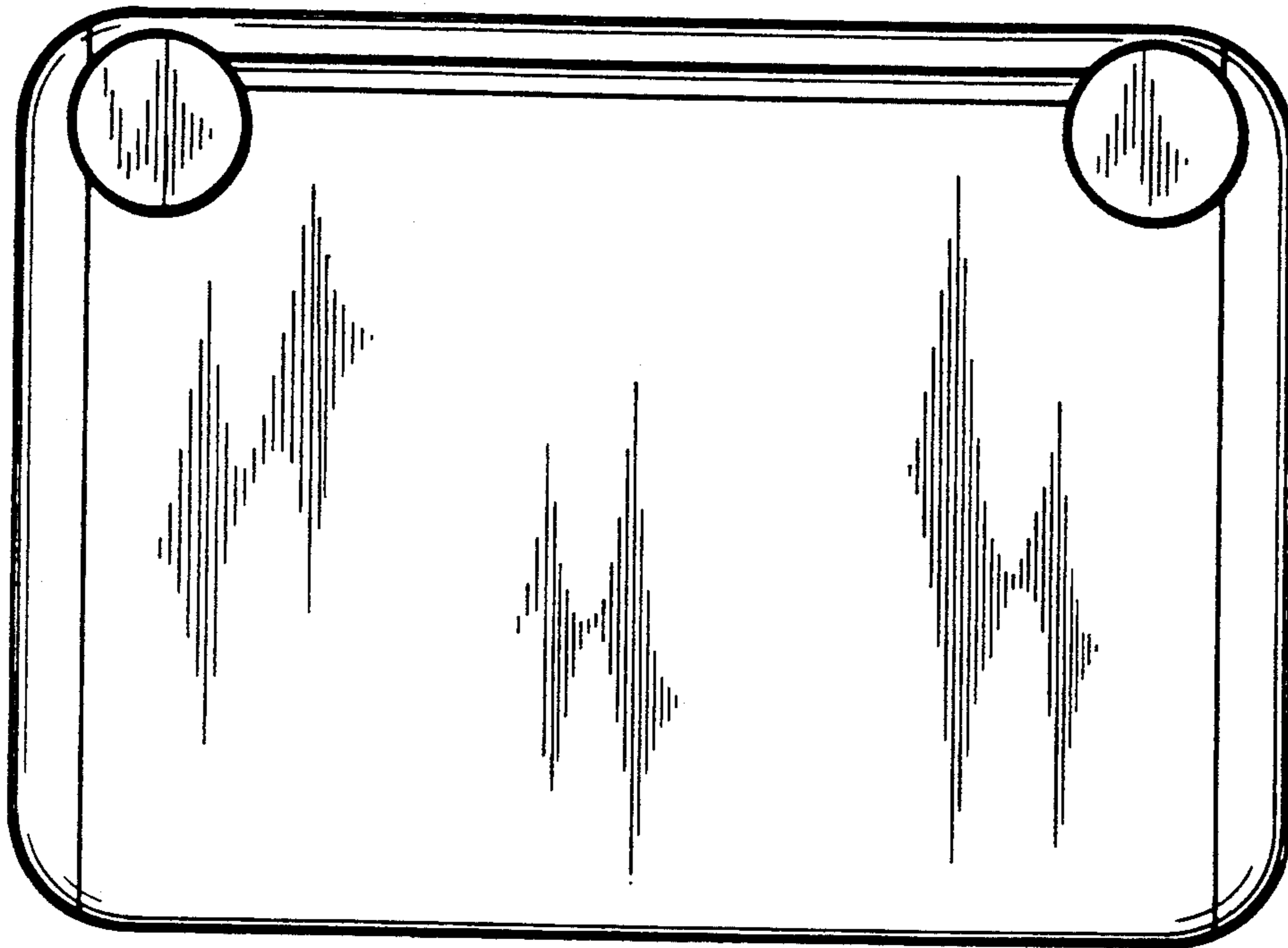


FIG. 8

