



US00D344505S

# United States Patent [19] Traldi

[11] Patent Number: **Des. 344,505**

[45] Date of Patent: **\*\* Feb. 22, 1994**

[54] **MULTIMEDIA DISPLAY**

[75] Inventor: **Alessandro Traldi, Milan, Italy**

[73] Assignee: **International Business Machines Corporation, Armonk, N.Y.**

[\*\*] Term: **14 Years**

[21] Appl. No.: **842,576**

[22] Filed: **Feb. 26, 1992**

[52] U.S. Cl. .... **D14/124; D20/10**

[58] Field of Search ..... **D6/310-314, D6/455; 248/441.1; 261/DIG. 14; 40/411; D14/124, 126; D16/214, 215, 242, 244; D20/18, 10, 39**

[56] **References Cited**

**U.S. PATENT DOCUMENTS**

D. 75,764 7/1928 Auerbach ..... D20/10  
D. 198,296 5/1964 Resk ..... D16/244 X

D. 260,400 8/1981 Carvel ..... D16/242  
D. 294,701 3/1988 Horii ..... D14/126

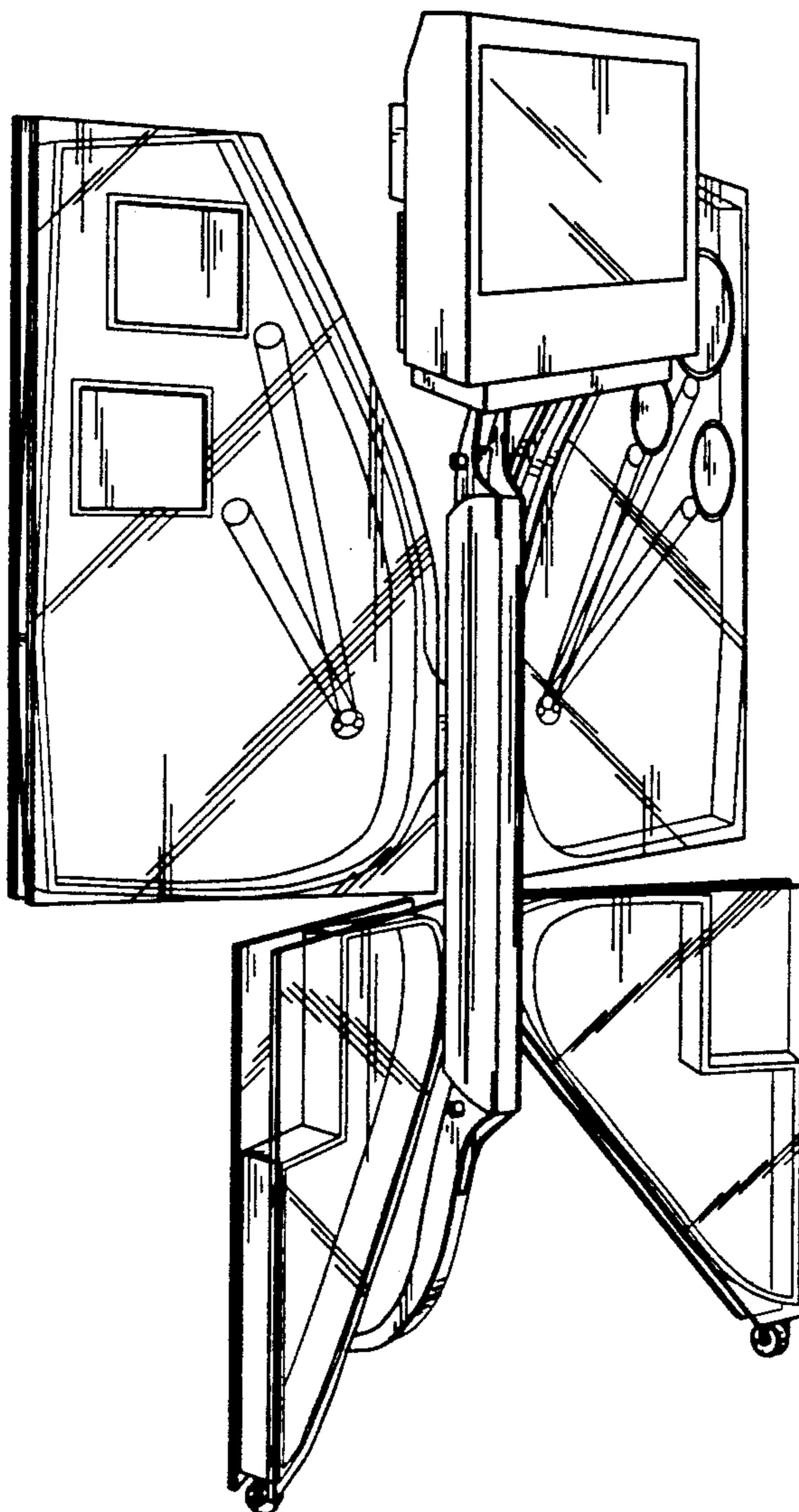
*Primary Examiner—Melvin B. Feifer  
Assistant Examiner—Richelle Shelton  
Attorney, Agent, or Firm—Paul S. Drake*

[57] **CLAIM**

The ornamental design for the multimedia display, as shown and described.

**DESCRIPTION**

FIG. 1 is a front left side perspective view thereof;  
FIG. 2 is a front plan view thereof;  
FIG. 3 is a rear plan view thereof;  
FIG. 4 is a left side plan view thereof;  
FIG. 5 is a right side plan view thereof;  
FIG. 6 is a top plan view thereof; and,  
FIG. 7 is a bottom plan view thereof.  
FIG. 6 and 7 are shown fragmentarily for ease of illustration.



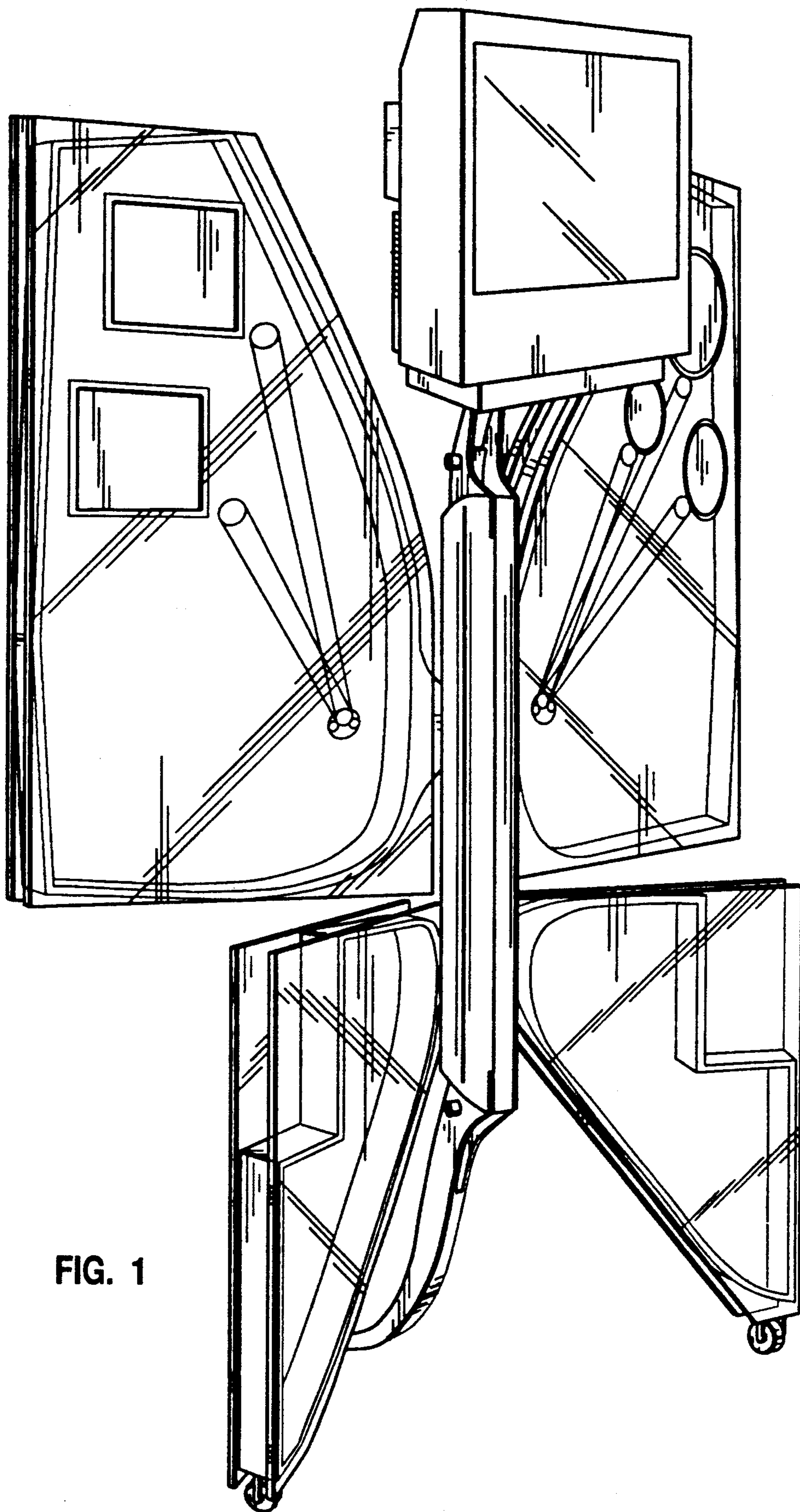


FIG. 1

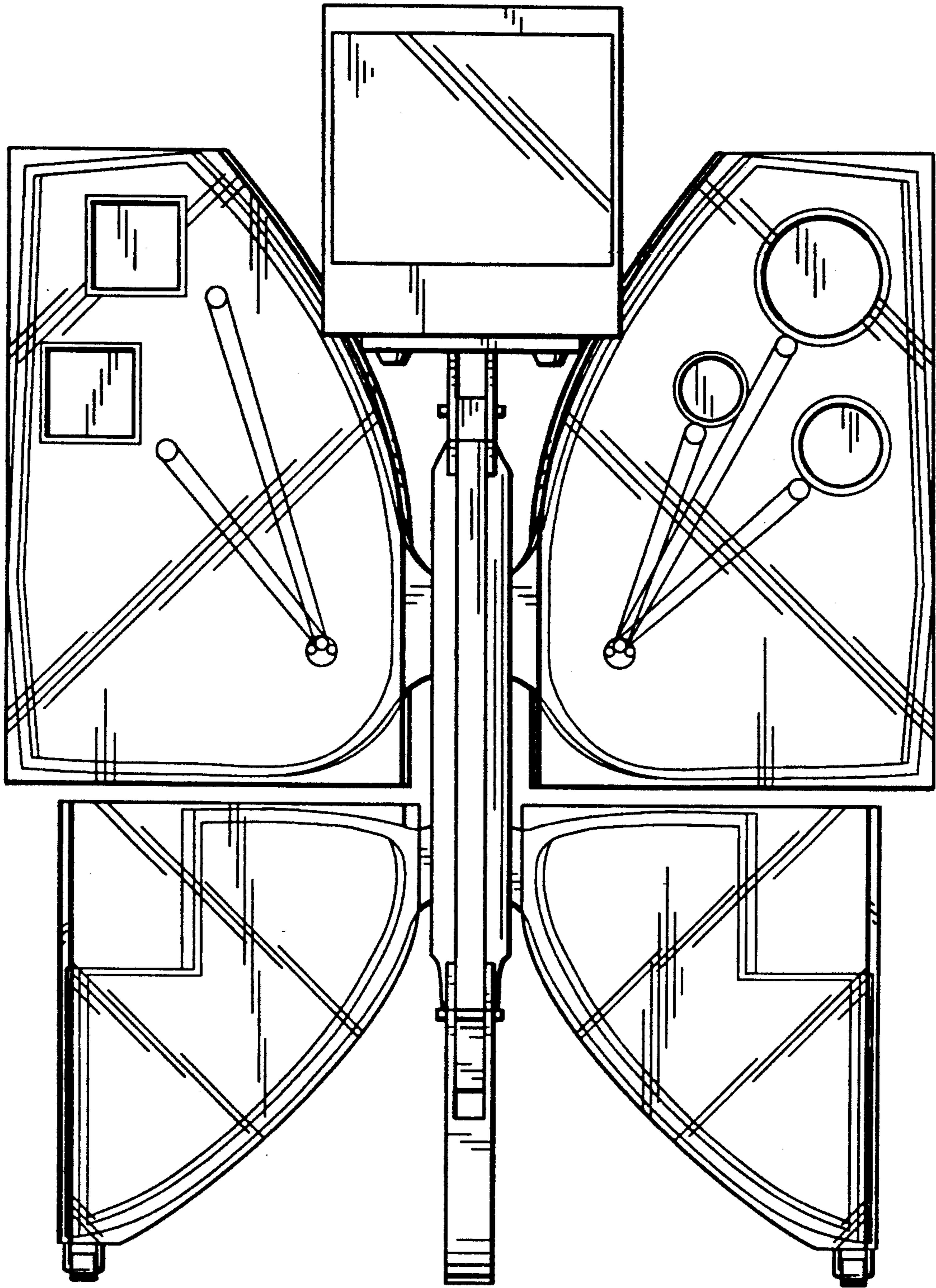


FIG. 2

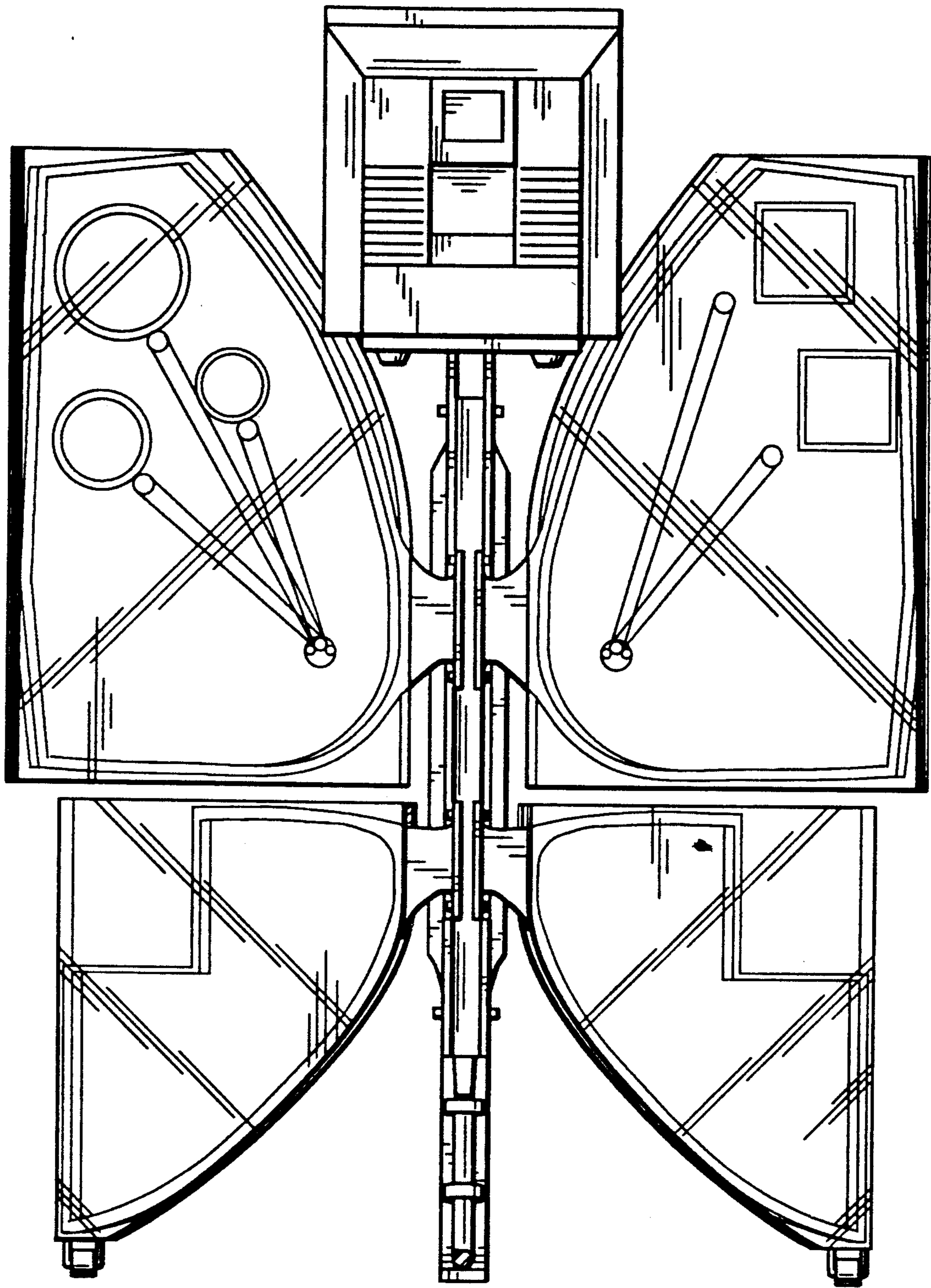


FIG. 3

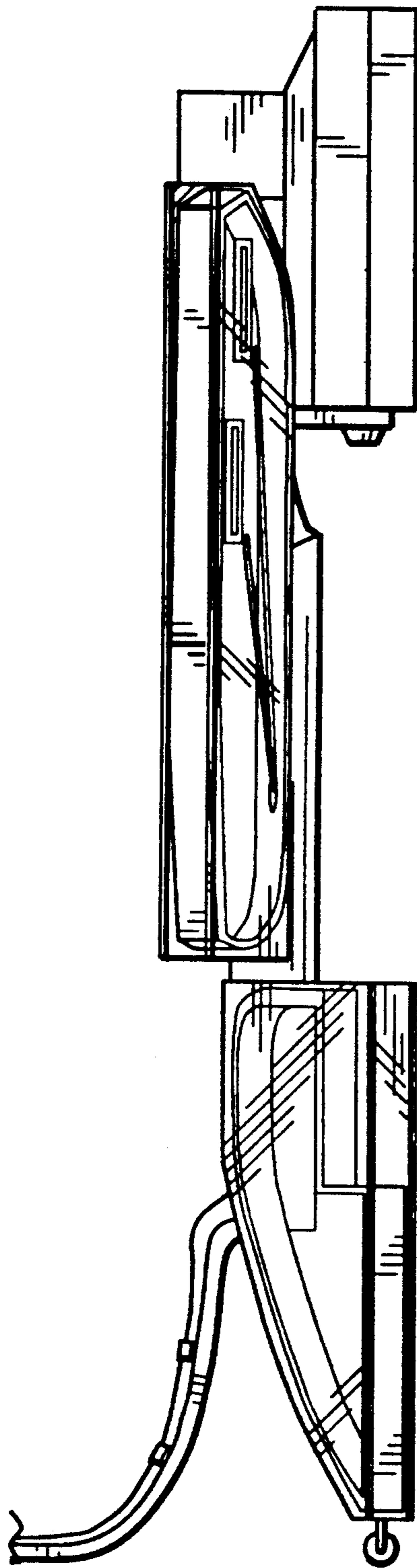


FIG. 4

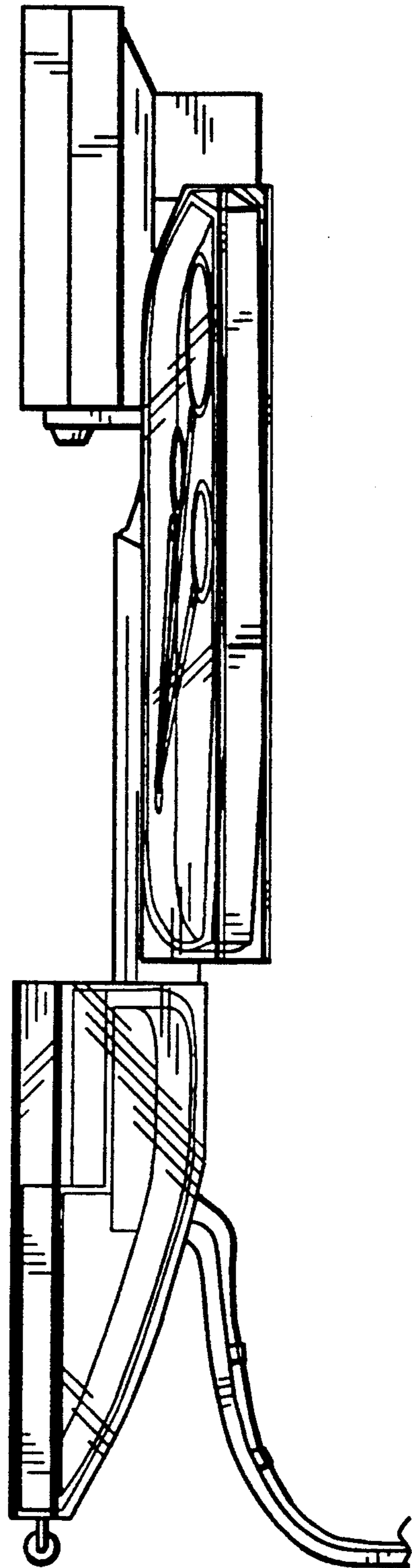


FIG. 5

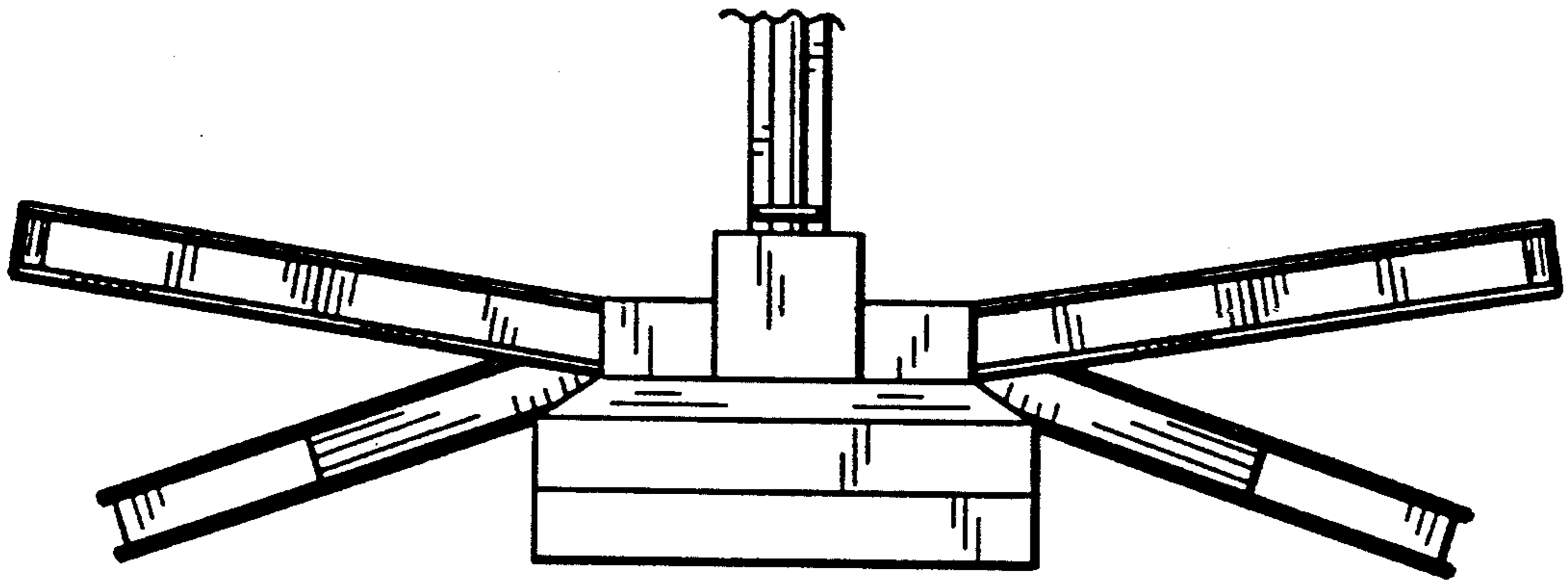


FIG. 6

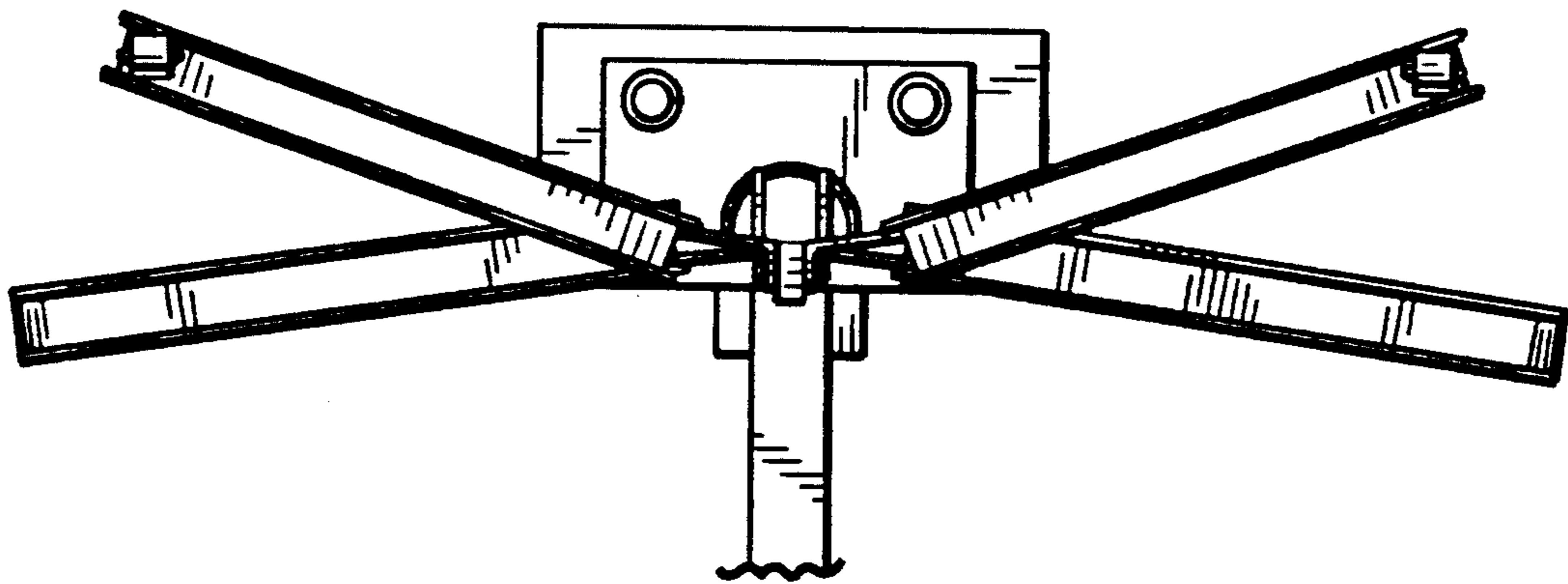


FIG. 7