



US00D344501S

# United States Patent [19]

Gong et al.

[11] Patent Number: **Des. 344,501**

[45] Date of Patent: **\*\* Feb. 22, 1994**

[54] OPTICAL SCANNER

[75] Inventors: **Frank Gong, Williston Park; Yori Gofman, Brooklyn; Alex Breytman, Bellmore, all of N.Y.**

[73] Assignee: **Symbol Technologies, Inc., Bohemia, N.Y.**

[\*\*] Term: **14 Years**

[21] Appl. No.: **925,464**

[22] Filed: **Aug. 7, 1992**

[52] U.S. Cl. .... **D14/116**

[58] Field of Search ..... **235/375, 378, 385, 454, 235/462, 472, 486; 354/80-82; 382/58-69; 250/203.1, 216, 566, 568; D14/114, 116-117; D26/37, 45, 50**

[56] **References Cited**

### U.S. PATENT DOCUMENTS

- D. 305,885 2/1990 Barkan et al. .... D14/116
- D. 307,138 4/1990 Knowles ..... D14/116
- D. 320,013 9/1991 Siemiatkowski et al. .... D14/116
- D. 330,708 11/1992 La Manna et al. .... D14/116
- D. 334,922 4/1993 Meyerson et al. .... D14/116
- D. 336,089 6/1993 Crawshaw et al. .... D14/114 X

*Primary Examiner*—Wallace R. Burke

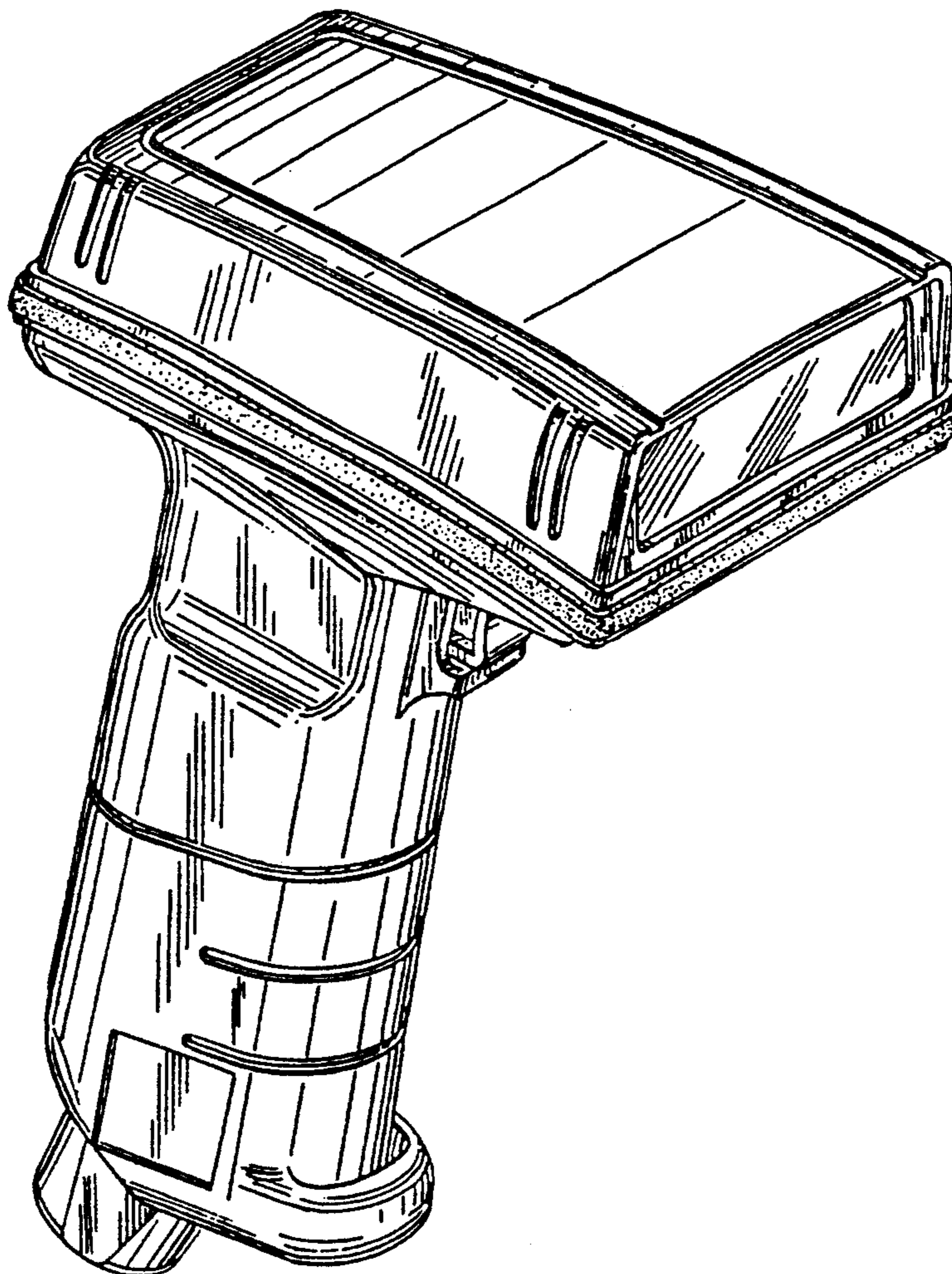
*Assistant Examiner*—M. H. Tung

[57] **CLAIM**

The ornamental design for an optical scanner, as shown and described.

### DESCRIPTION

FIG. 1 is a top, front, right side perspective view of an optical scanner showing our new design;  
 FIG. 2 is a top plane view thereof;  
 FIG. 3 is a front elevational view thereof;  
 FIG. 4 is a left side elevational view thereof;  
 FIG. 5 is a rear side elevational view thereof; and,  
 FIG. 6 is a bottom elevational view thereof.



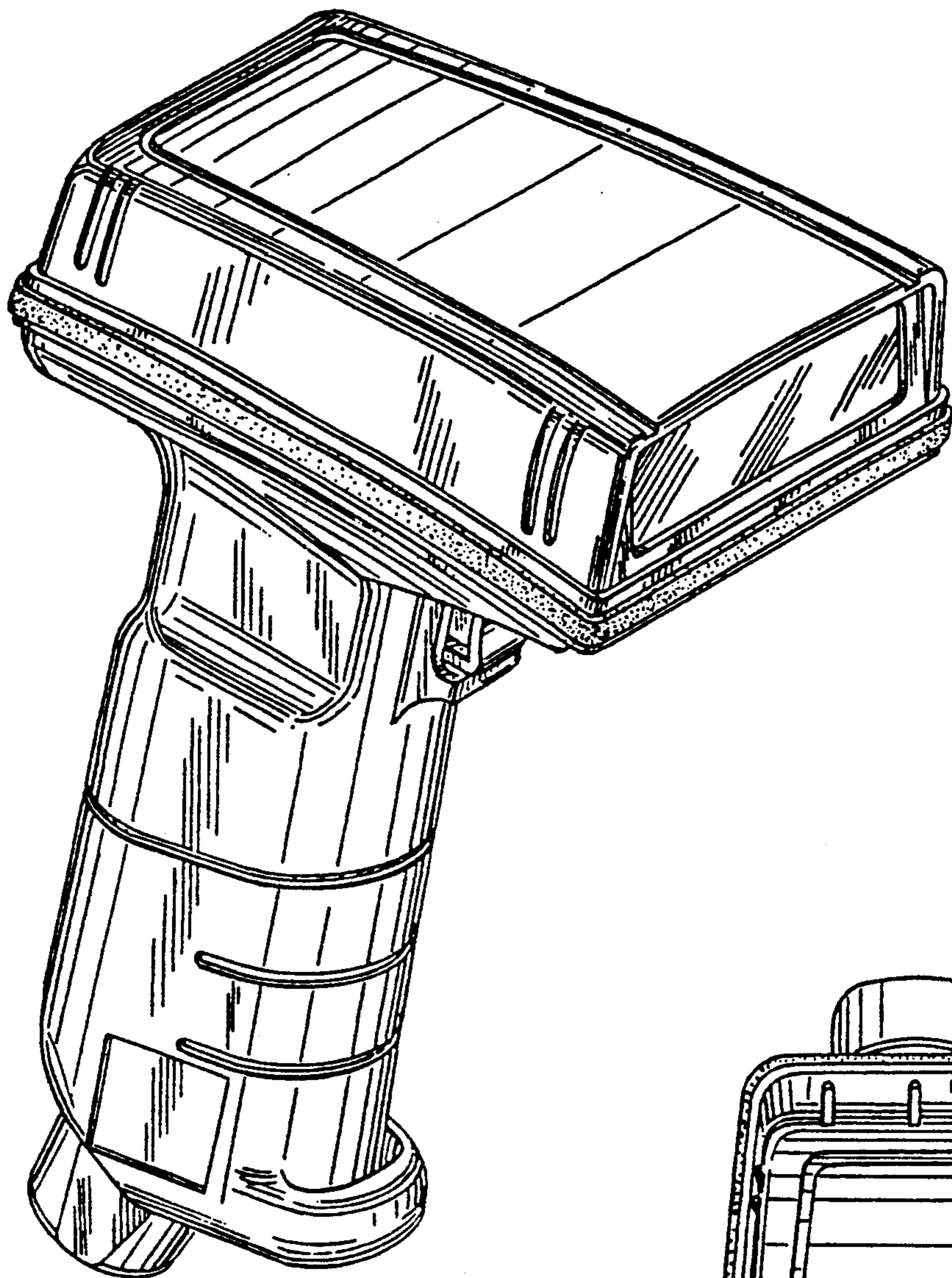


FIG. 1

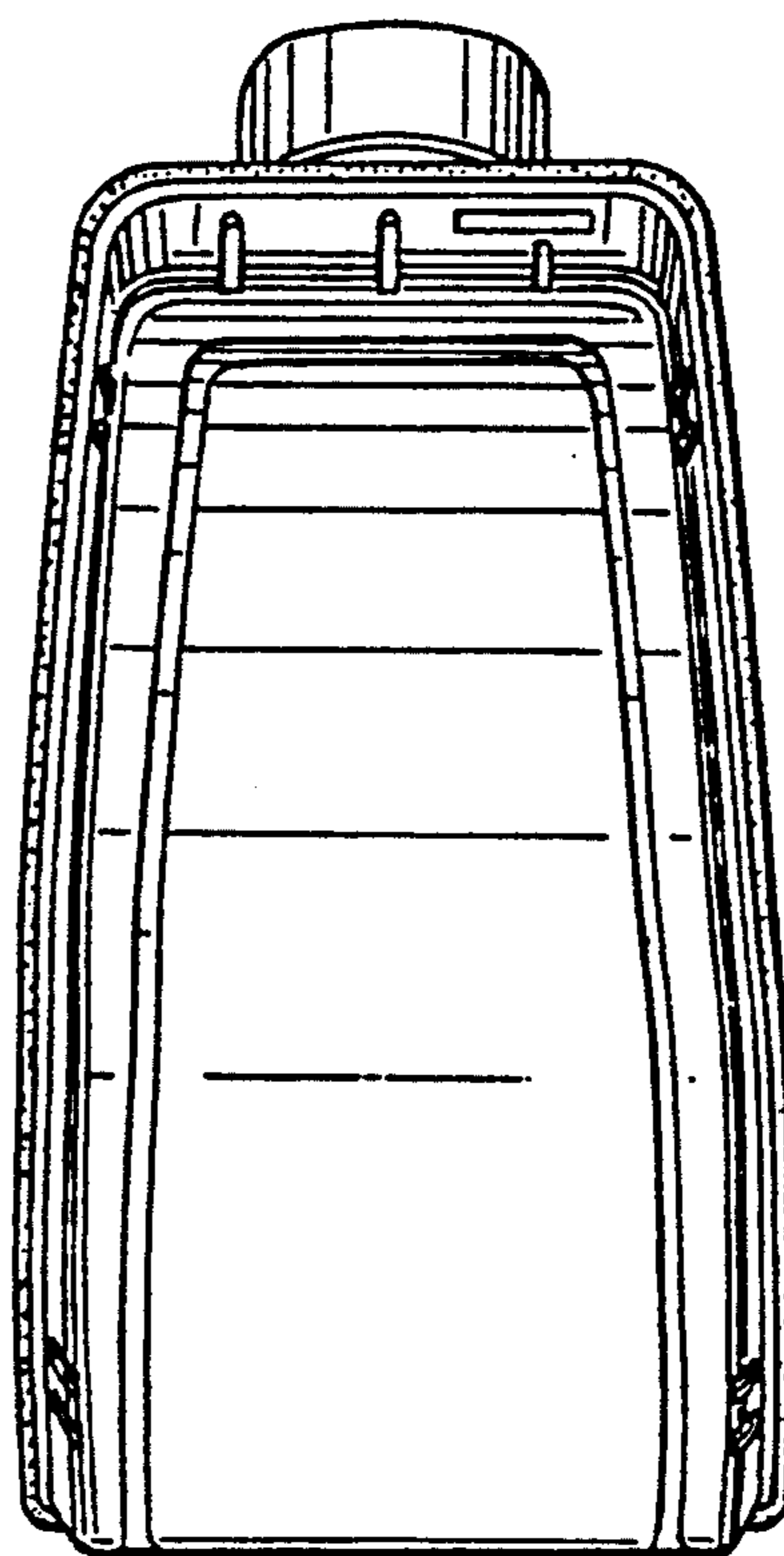


FIG. 2

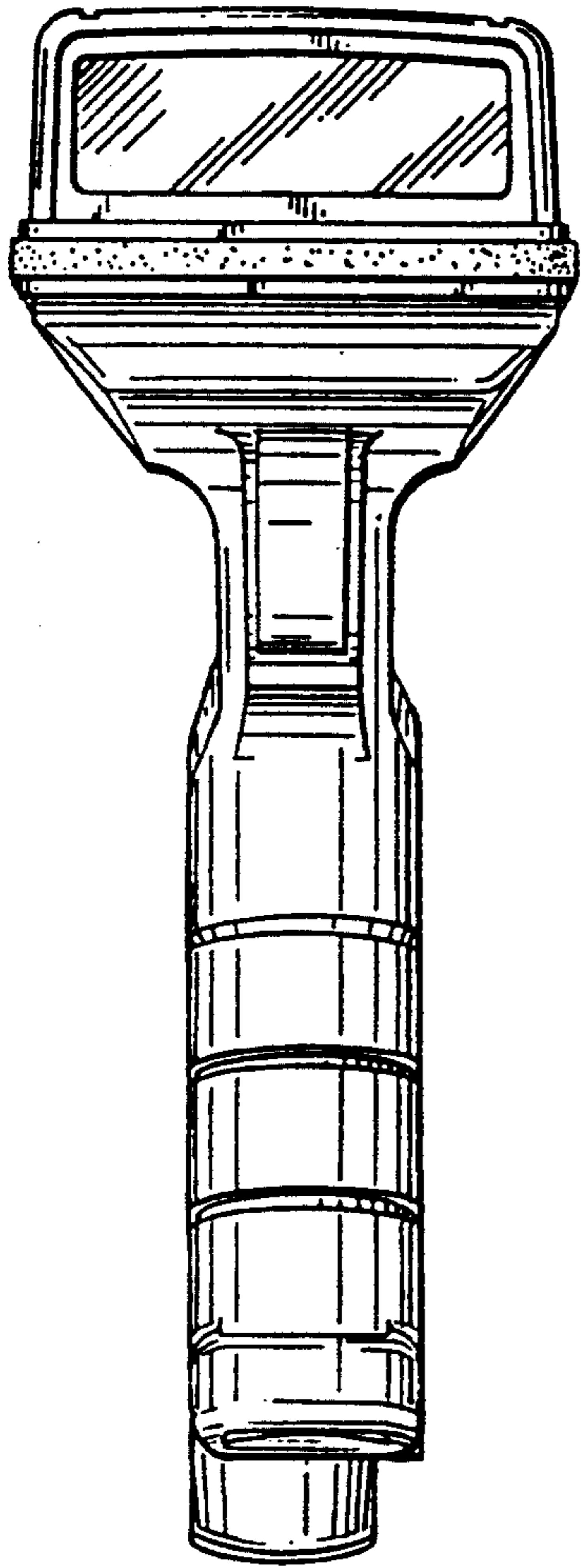


FIG. 3

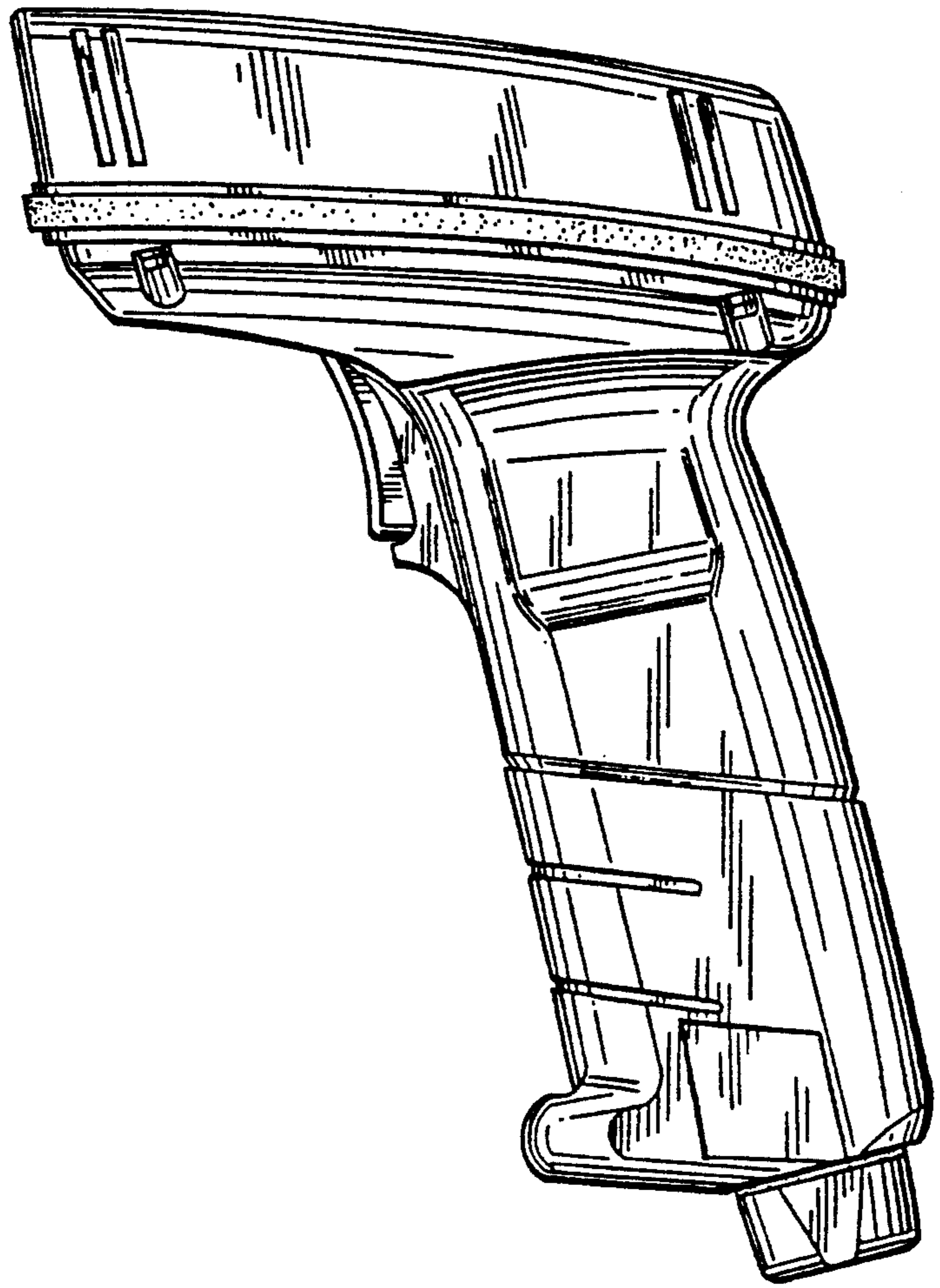


FIG. 4

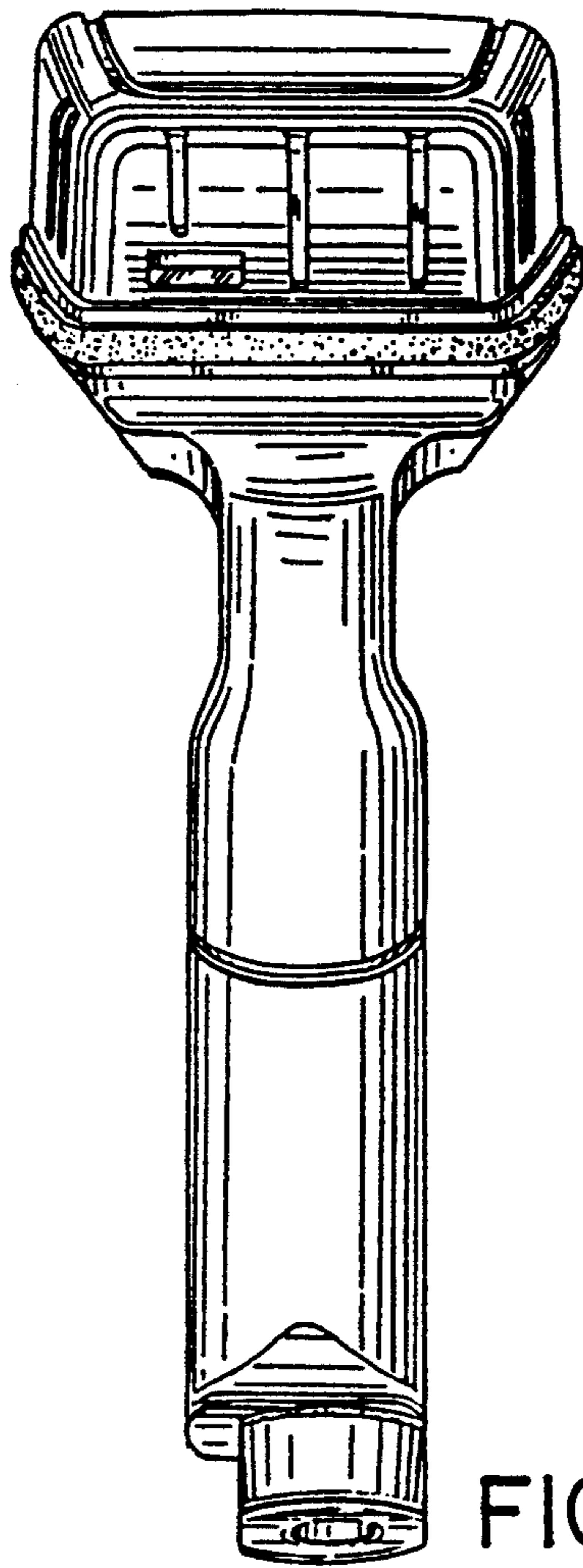


FIG. 5

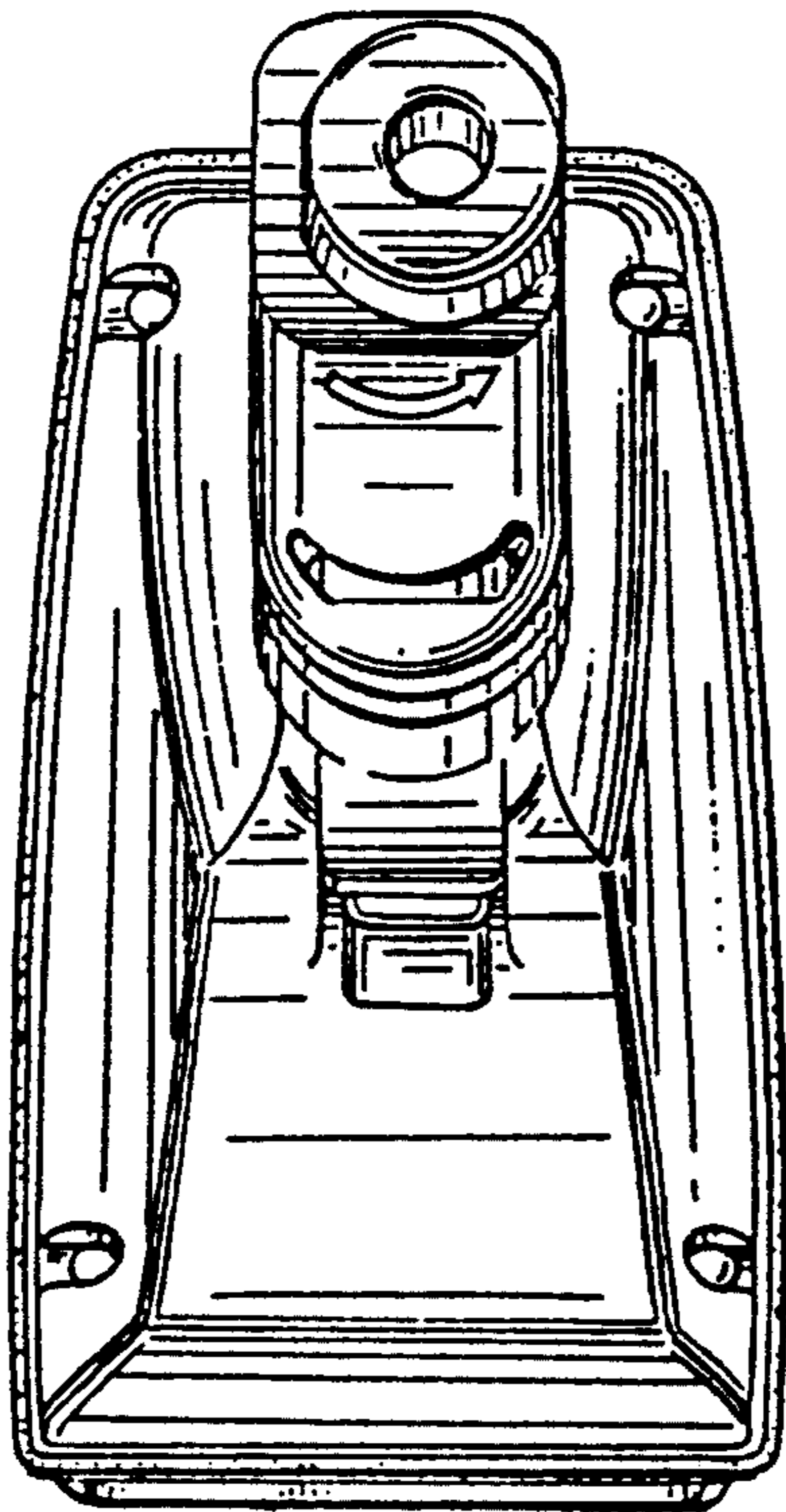


FIG. 6