



US00D344500S

# United States Patent [19]

Bruce et al.

[11] Patent Number: **Des. 344,500**

[45] Date of Patent: **\*\* Feb. 22, 1994**

## [54] WIRELESS OPTICAL INPUT DEVICE

[75] Inventors: **Richard H. Bruce**, Los Altos; **Scott A. Elrod**, Redwood City; **Thomas P. Moran**, Palo Alto; **Frank G. Halasz**, Santa Cruz; **Malcolm S. Smith**, Palo Alto; **Dallas R. Grove**, Mountain View; **Richard J. Goldstein**, San Francisco, all of Calif.

[73] Assignee: **Xerox Corporation**, Stamford, Conn.

[\*\*] Term: **14 Years**

[21] Appl. No.: **864,903**

[22] Filed: **Apr. 3, 1992**

[52] U.S. Cl. .... **D14/116**

[58] Field of Search ..... 235/375, 378, 385, 454, 235/462, 472, 486; 354/80-82; 382/58-69; 250/203.1, 216, 566, 568; D14/100, 114, 116; D26/37, 45, 50

## [56] References Cited

### U.S. PATENT DOCUMENTS

- D. 319,228 8/1991 Mori et al. .... D14/116
- D. 319,824 9/1991 Riddiford ..... D14/116
- D. 320,981 10/1991 Conversano et al. .... D14/116
- D. 330,707 11/1992 Whitaker ..... D14/116
- 5,065,003 11/1991 Wakatsuki et al. .... D14/116 X

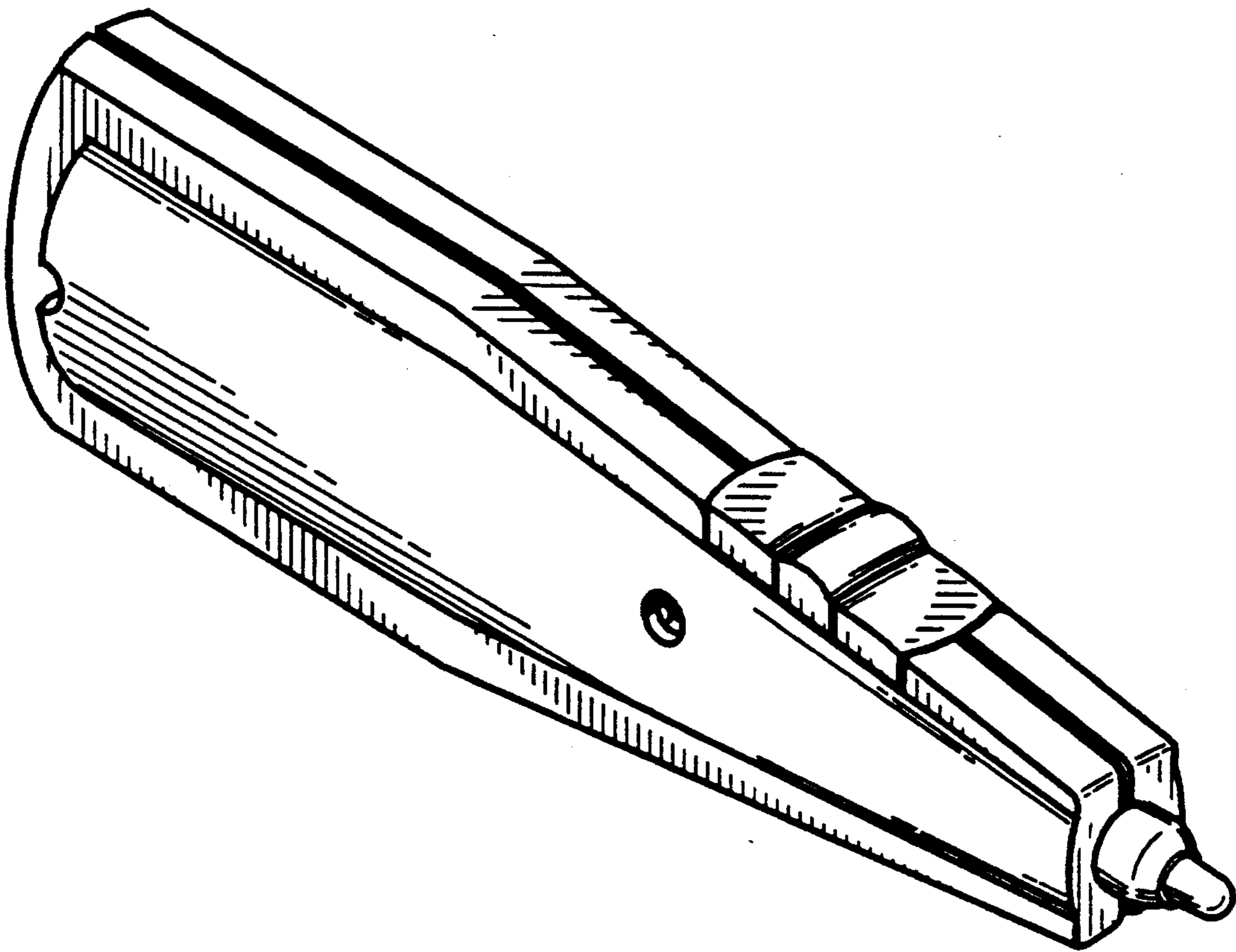
*Primary Examiner*—Wallace R. Burke  
*Assistant Examiner*—M. M. Tung  
*Attorney, Agent, or Firm*—R. Christine Jacobs

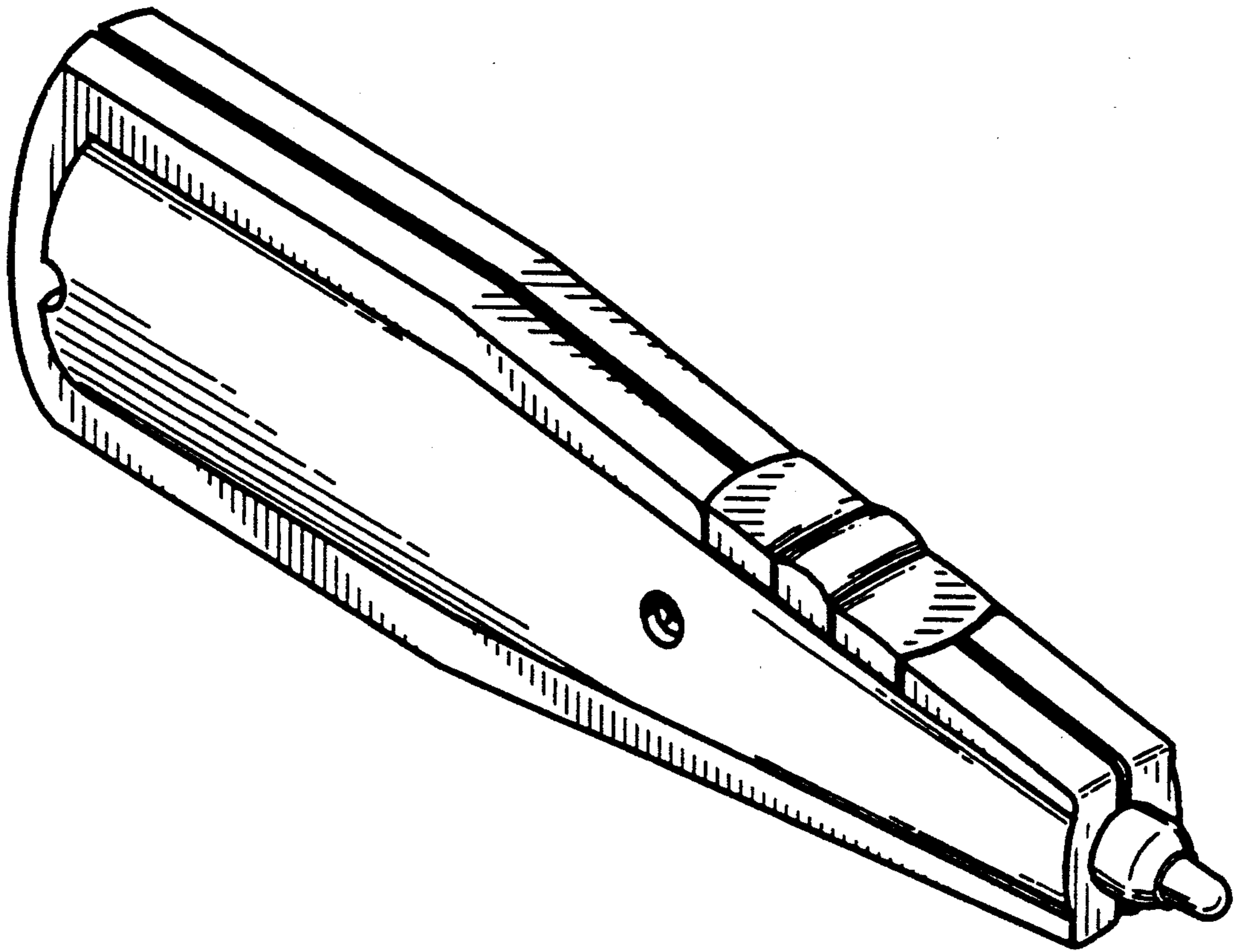
## [57] CLAIM

The ornamental design for a wireless optical input device, as shown.

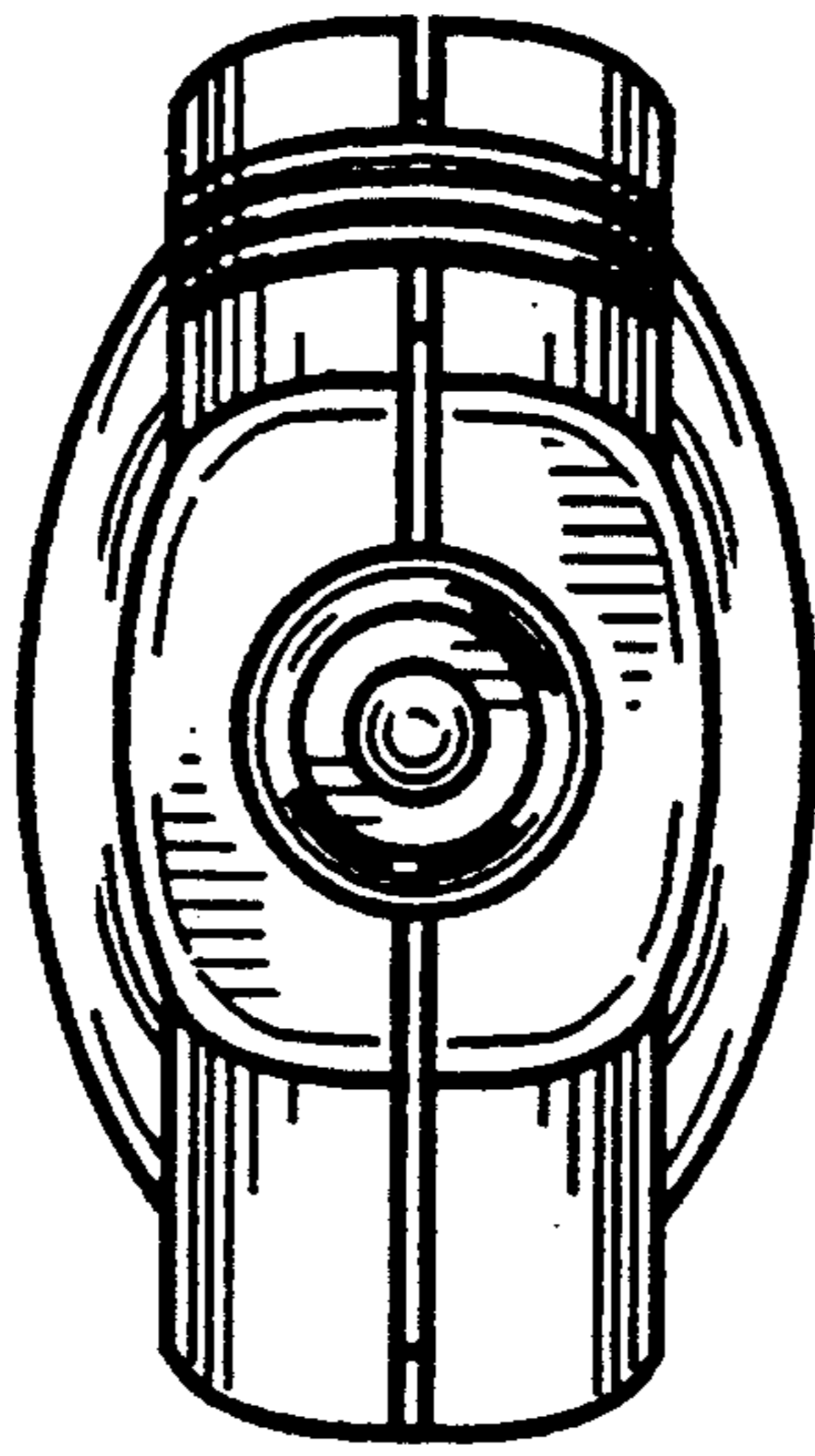
## DESCRIPTION

FIG. 1 is frontal perspective view of a wireless optical input device showing our new design;  
FIG. 2 is a front view;  
FIG. 3 is a right side view;  
FIG. 4 is a rear view;  
FIG. 5 is a left side view;  
FIG. 6 is a top view; and,  
FIG. 7 is a bottom view.

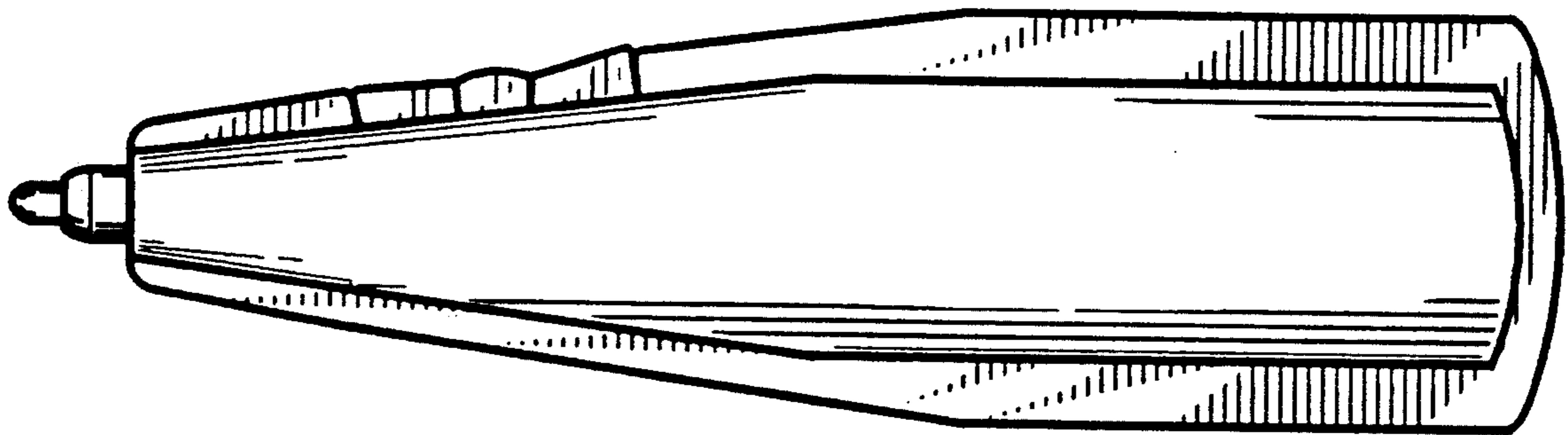




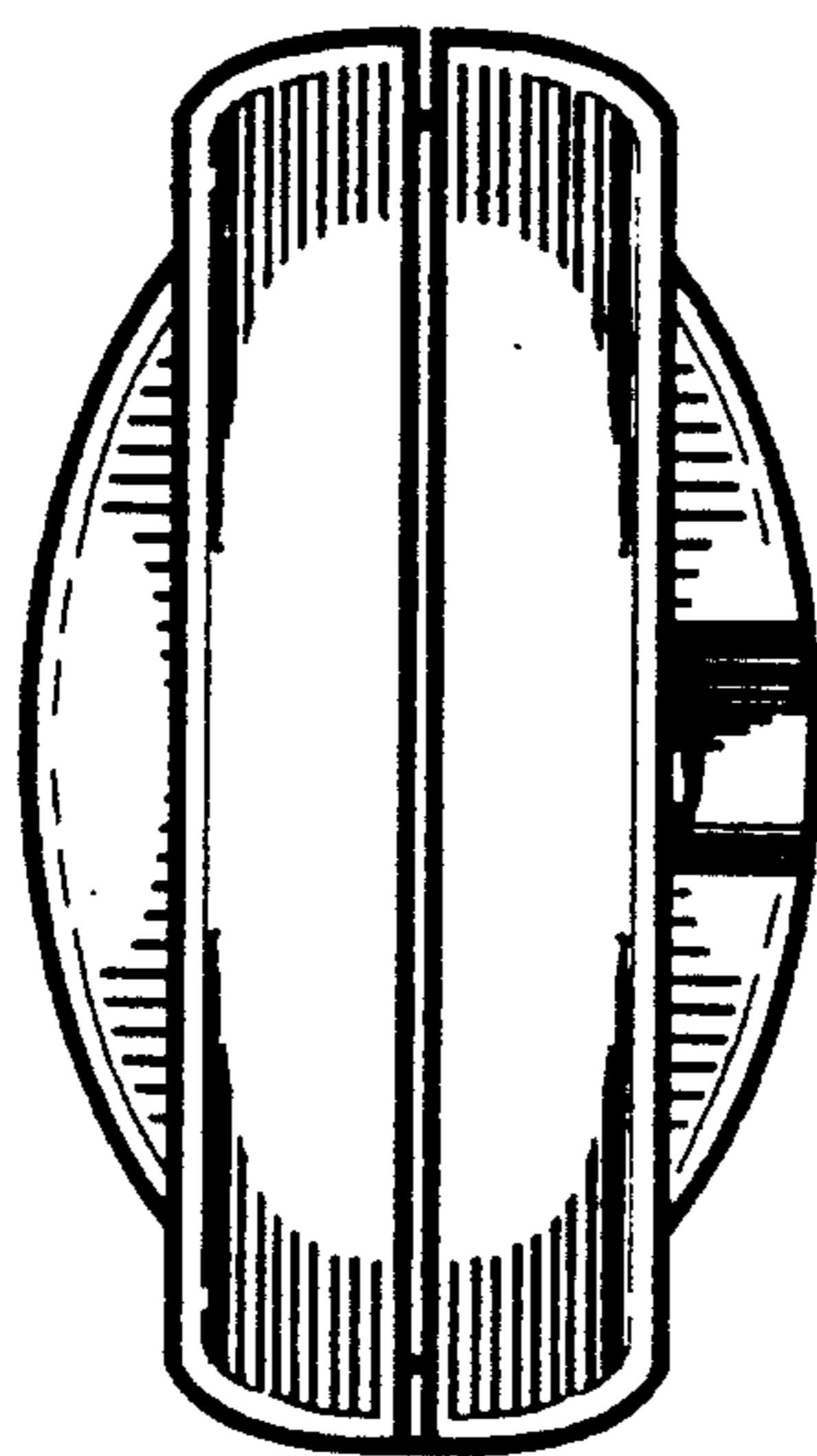
*Fig. 1*



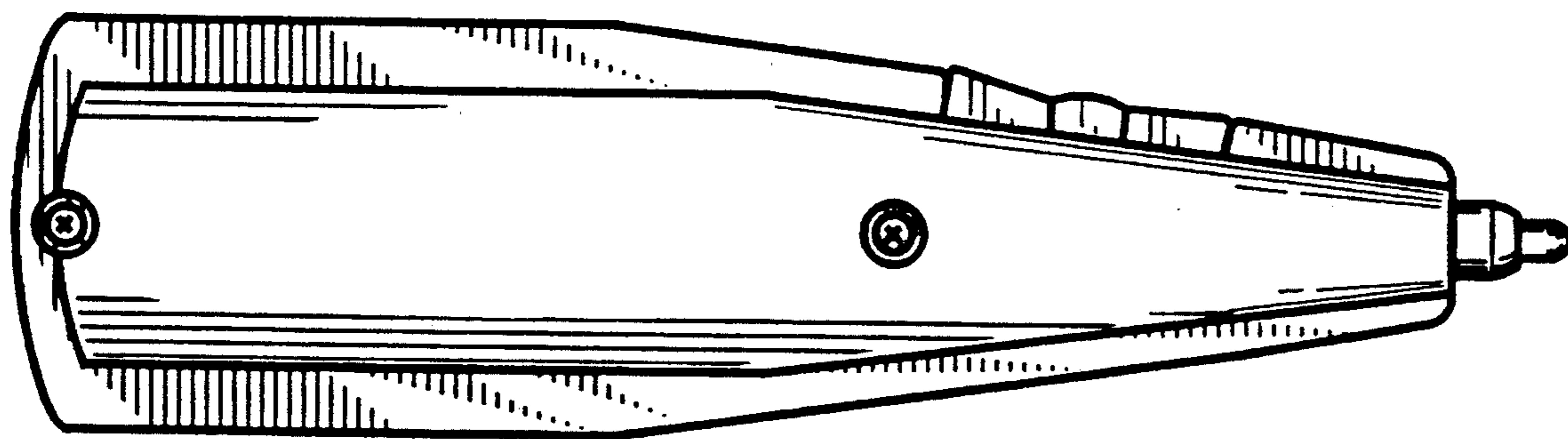
**Fig. 2**



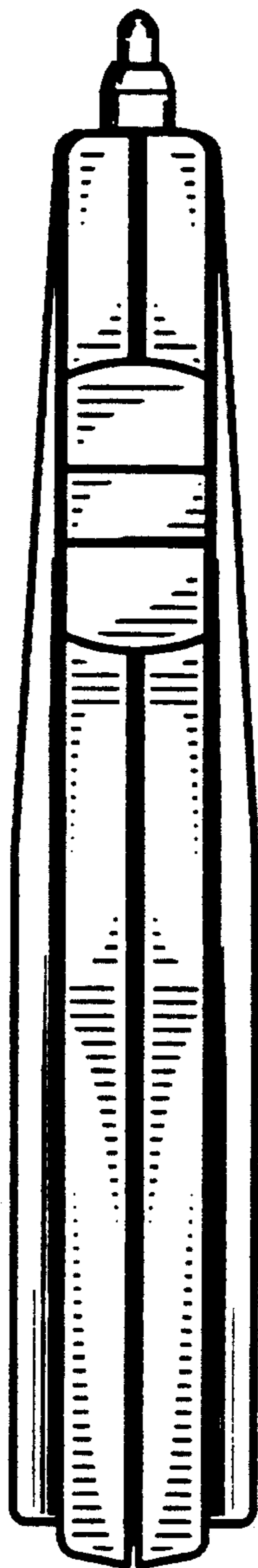
**Fig. 3**



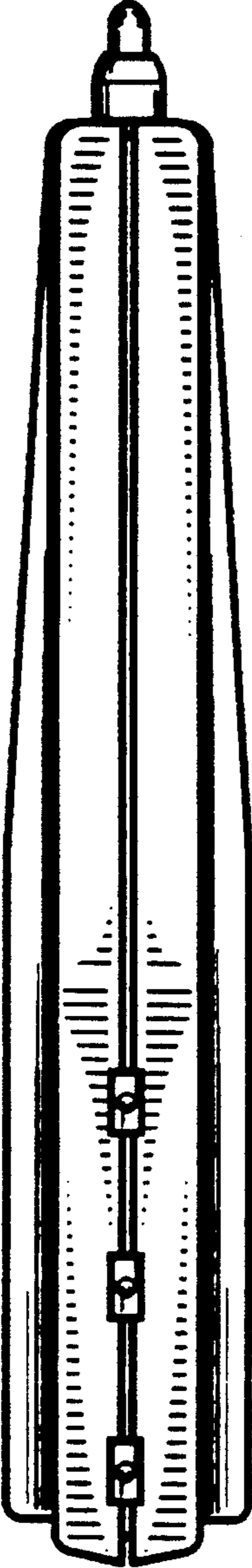
*Fig. 4*



*Fig. 5*



**Fig. 6**



**Fig. 7**