



US00D344497S

United States Patent [19]
Matsumoto

[11] **Patent Number: Des. 344,497**

[45] **Date of Patent: ** Feb. 22, 1994**

[54] **ELECTRONIC COMPUTER WITH PRINTER**

[75] **Inventor: Hidero Matsumoto, Yokohama, Japan**

[73] **Assignee: Canon Kabushiki Kaisha, Tokyo, Japan**

[**] **Term: 14 Years**

[21] **Appl. No.: 899,929**

[22] **Filed: Jun. 17, 1992**

[30] **Foreign Application Priority Data**

Dec. 20, 1991 [JP] Japan 3-38702

[52] **U.S. Cl. D14/106; D18/52**

[58] **Field of Search 235/145 A, 145 R; 340/700, 706; 341/22, 23; 361/390, 394; 364/708, 709.04; D14/100, 101, 106, 113, 115; D18/1, 7, 11, 12, 52**

[56] **References Cited**

U.S. PATENT DOCUMENTS

D. 290,845 7/1987 Yubisui et al. D18/52 X

D. 329,853 9/1992 Mizusugi et al. D14/106
D. 333,815 3/1993 Mizusugi et al. D14/106
D. 334,182 3/1993 Mizusugi et al. D14/106
D. 335,870 5/1993 Yun D14/106
D. 336,466 6/1993 Urushihara et al. D14/106

Primary Examiner—Wallace R. Burke
Assistant Examiner—Freda S. Nunn
Attorney, Agent, or Firm—Fitzpatrick, Cella, Harper & Scinto

[57] **CLAIM**

The ornamental design for an electronic computer with printer, as shown and described.

DESCRIPTION

FIG. 1 is a front elevational view of an electronic computer with printer showing my new design; FIG. 2 is a rear elevational view thereof; FIG. 3 is a top plan view thereof; FIG. 4 is a bottom plan view thereof; FIG. 5 is a left side elevational view thereof; FIG. 6 is a right side elevational view thereof; and, FIG. 7 is a perspective view thereof.



FIG. 1

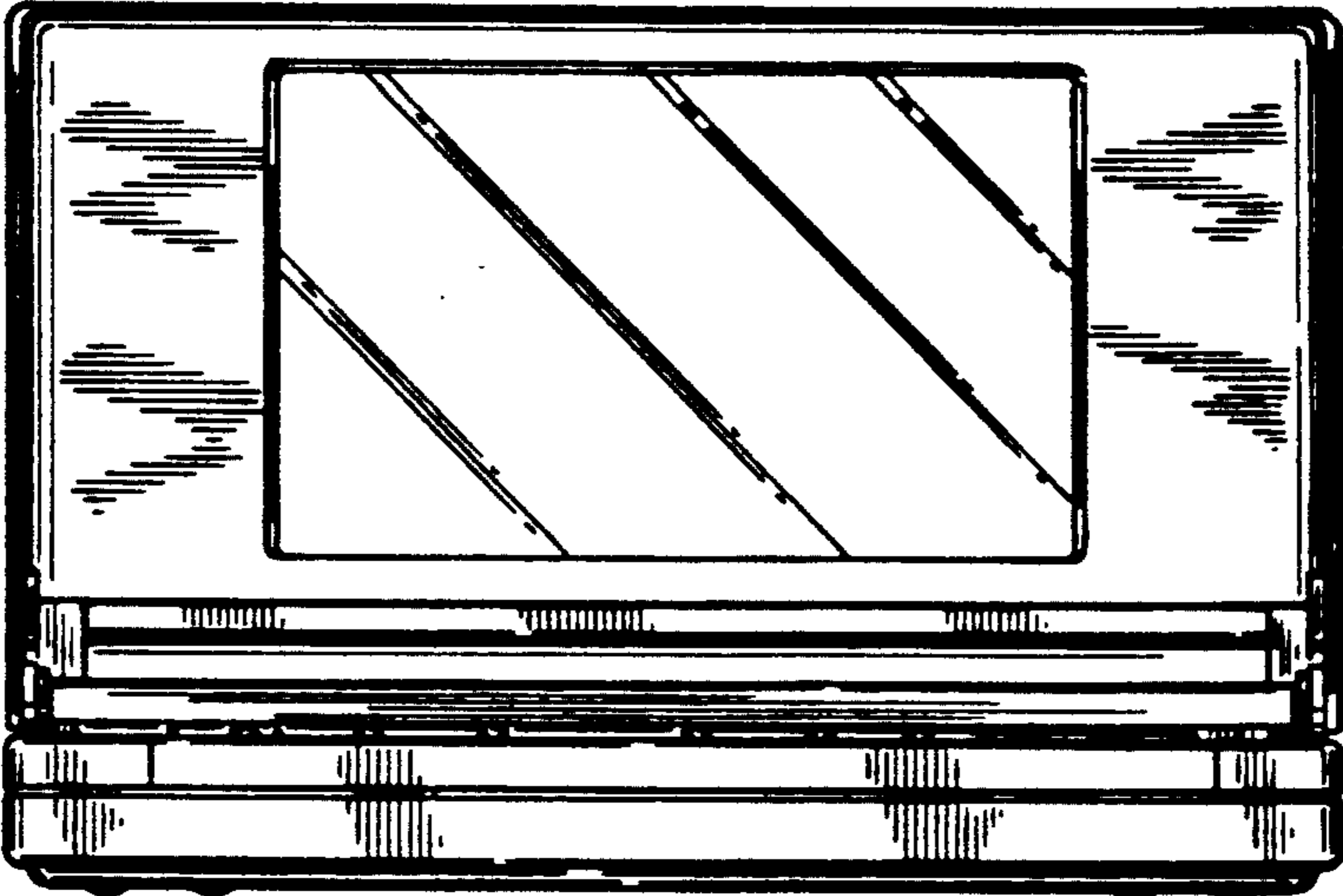


FIG. 2

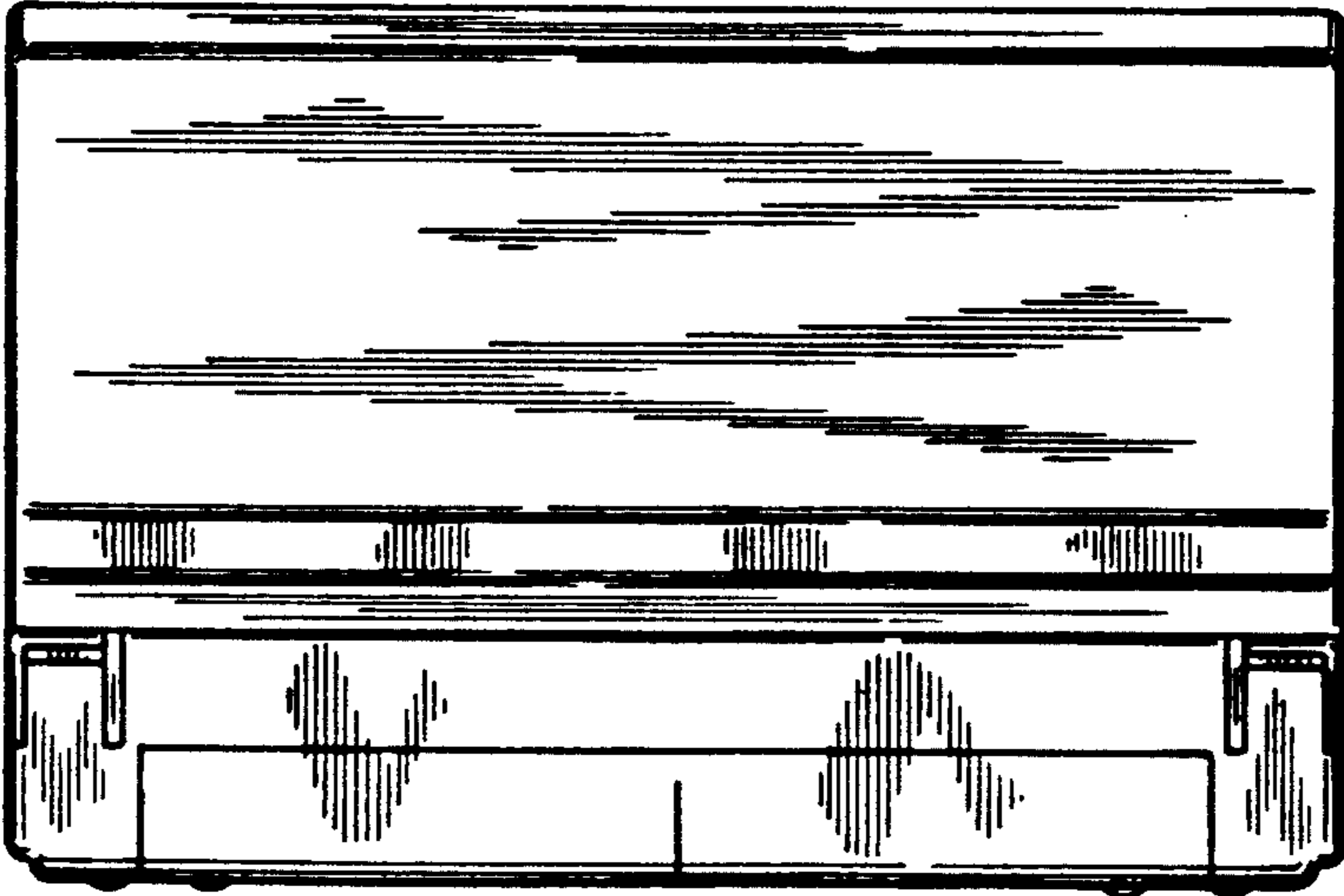


FIG. 3

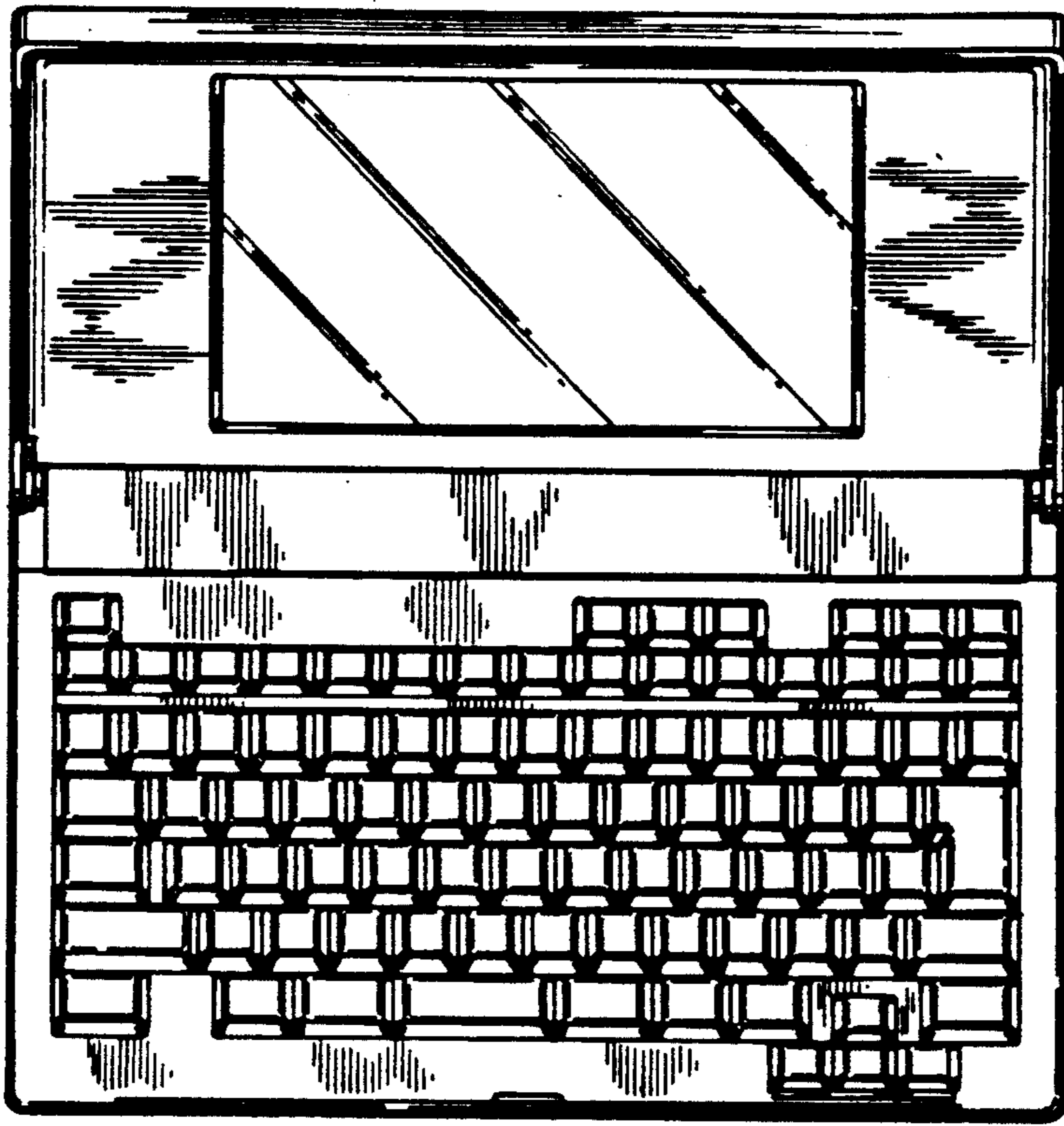


FIG. 4

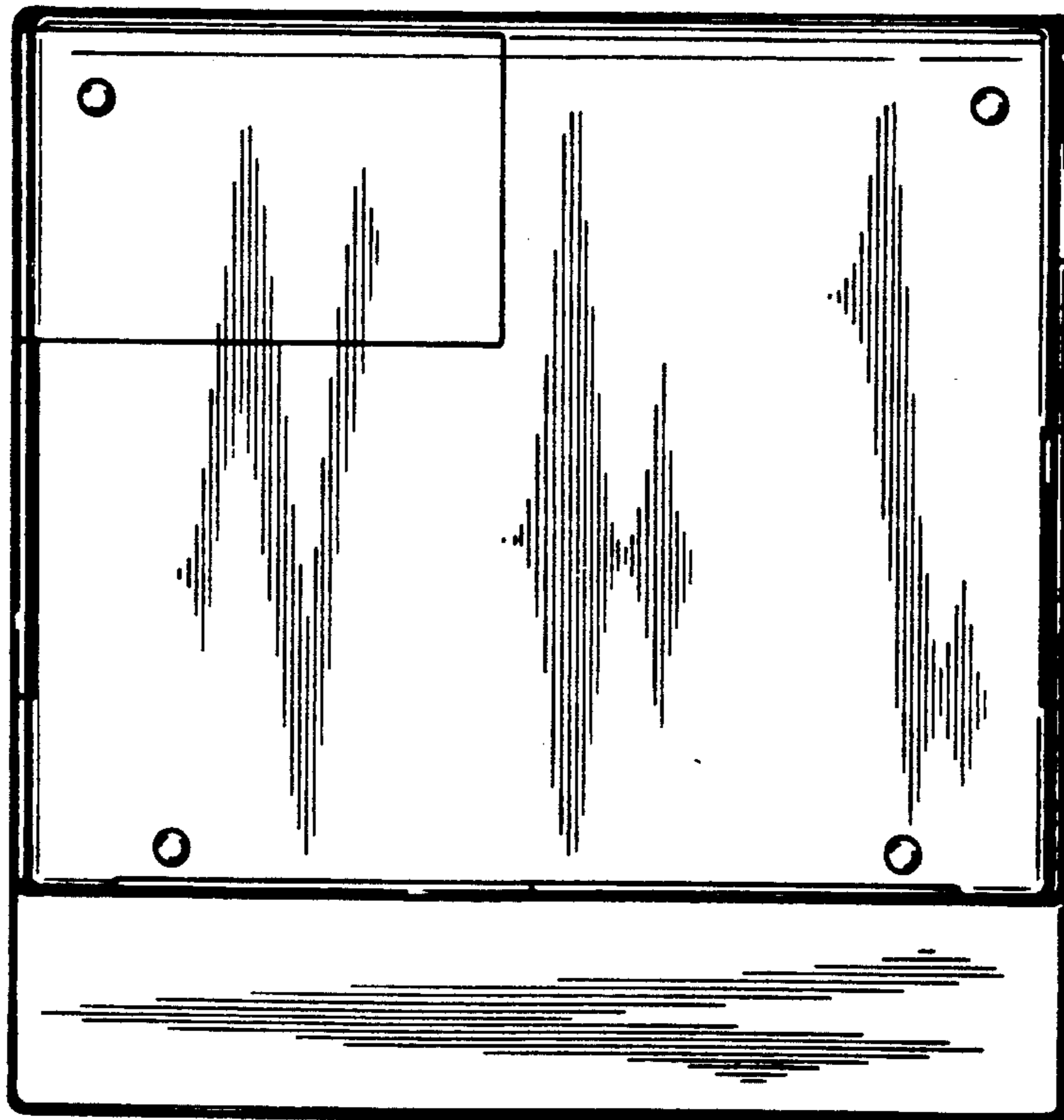


FIG. 5

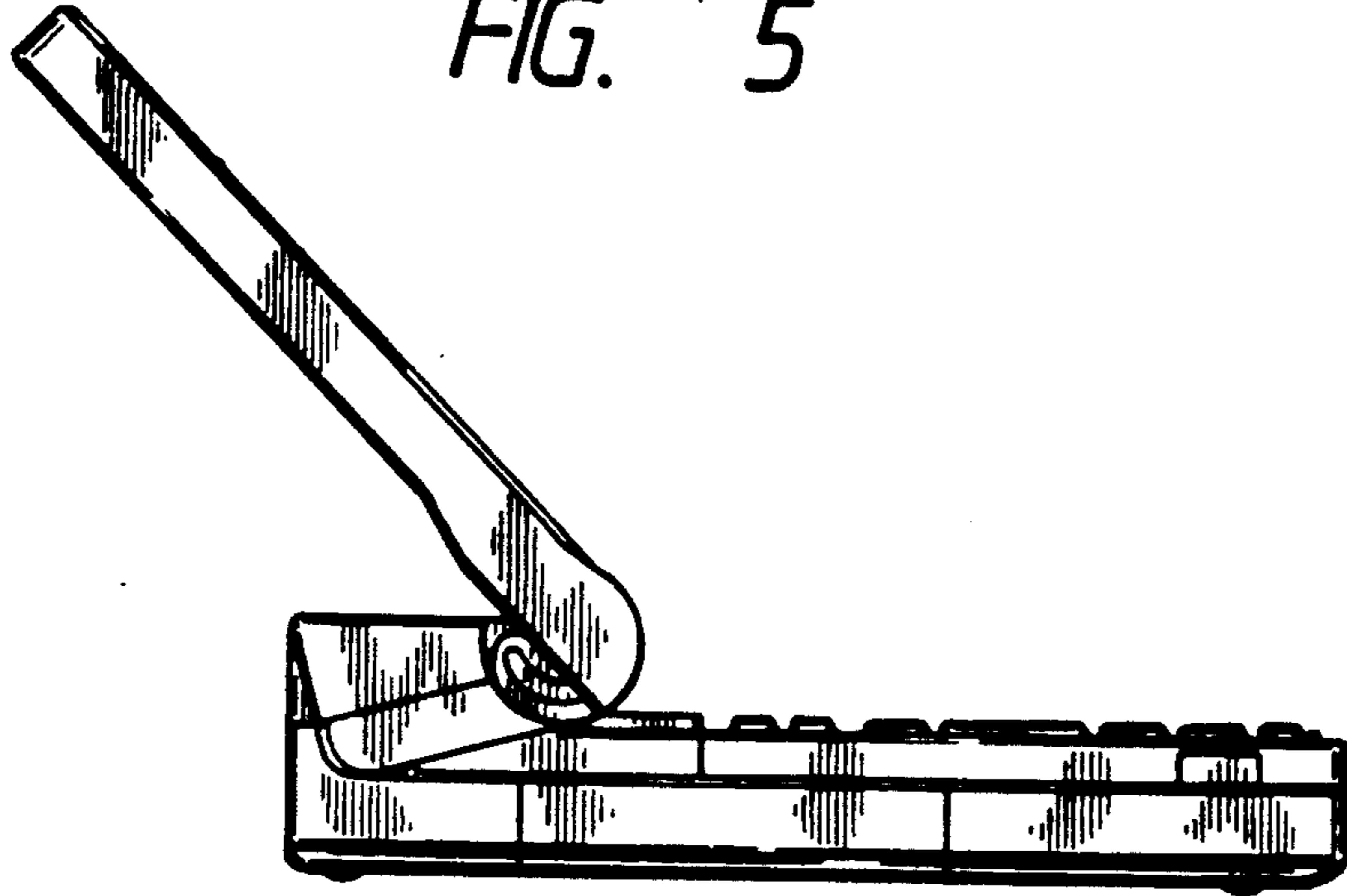


FIG. 6

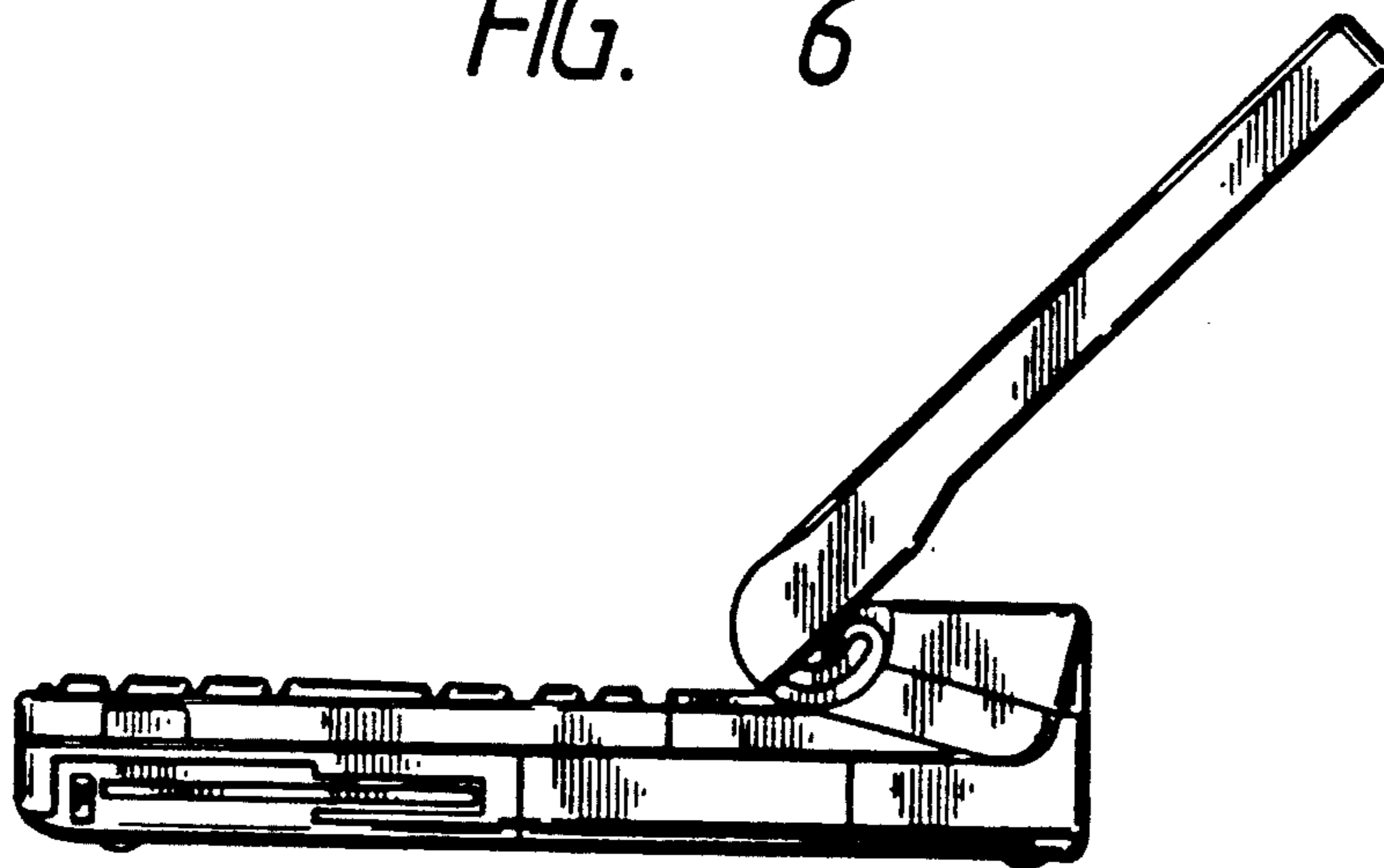


FIG. 7

