



US00D344496S

United States Patent [19]

[11] Patent Number: **Des. 344,496**

Mizusugi et al.

[45] Date of Patent: **** Feb. 22, 1994**

[54] COMPUTER

[75] Inventors: **Kanji Mizusugi, Mic; Kensho Tsuji; Hiroshi Yamamizu**, both of Nara, all of Japan

[73] Assignee: **Sharp Kabushiki Kaisha**, Osaka, Japan

[**] Term: **14 Years**

[21] Appl. No.: **814,685**

[22] Filed: **Dec. 30, 1991**

[30] Foreign Application Priority Data

Jun. 28, 1991 [JP] Japan 3-19566

[52] U.S. Cl. **D14/106**

[58] Field of Search 235/145 A, 145 R; 340/700, 706; 341/22, 23; 361/390, 394; 364/708, 709.04; D14/100, 101, 106, 115; D18/1, 7, 11, 12

[56] References Cited

U.S. PATENT DOCUMENTS

- D. 293,678 1/1988 Sawatani et al. D14/106
- D. 294,831 3/1988 Hara et al. D14/106
- D. 298,945 12/1988 Kagayama et al. D14/106
- D. 309,895 8/1990 Lampe D14/106

FOREIGN PATENT DOCUMENTS

764976 6/1989 Japan D14/D14 106

Primary Examiner—Susan J. Lucas

Assistant Examiner—Freda S. Nunn

Attorney, Agent, or Firm—Nixon & Vanderhyc

[57] CLAIM

The ornamental design for a computer, as shown and described.

DESCRIPTION

FIG. 1 is a top plan view of a computer constructed in accordance with the present invention;
 FIG. 2 is a front elevational view thereof;
 FIG. 3 is a right side elevational view thereof;
 FIG. 4 is a rear elevational view thereof;
 FIG. 5 is a left side elevational view thereof;
 FIG. 6 is a bottom plan view thereof;
 FIG. 7 is a top plan view of the computer thereof with the computer screen in the closed position;
 FIG. 8 is a front elevational view thereof;
 FIG. 9 is a right side elevational view thereof;
 FIG. 10 is a rear elevational view thereof;
 FIG. 11 is a left side elevational view thereof;
 FIG. 12 is a bottom plan view thereof; and,
 FIG. 13 is a top, front and right side perspective view of the computer thereof in an open position.

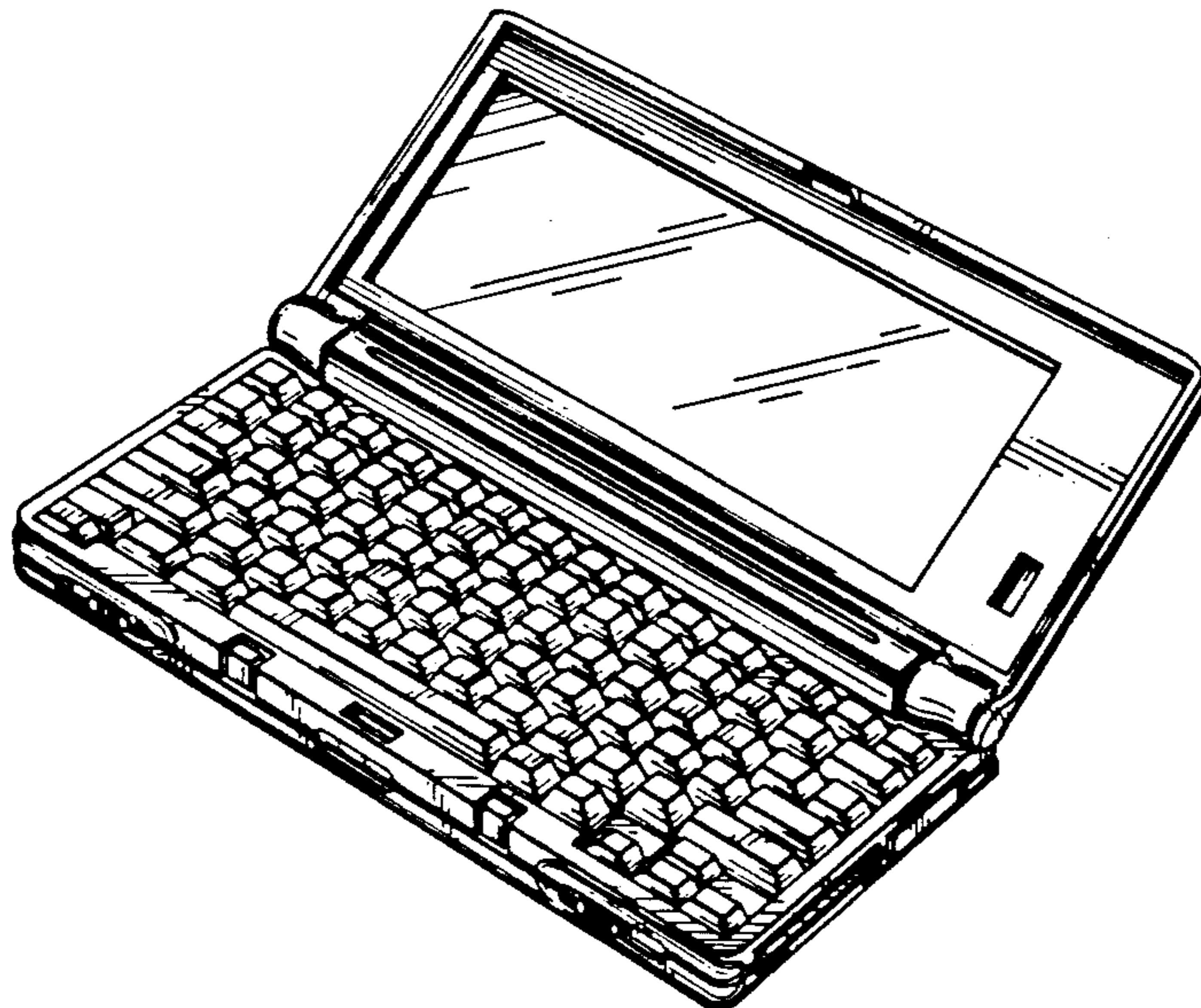
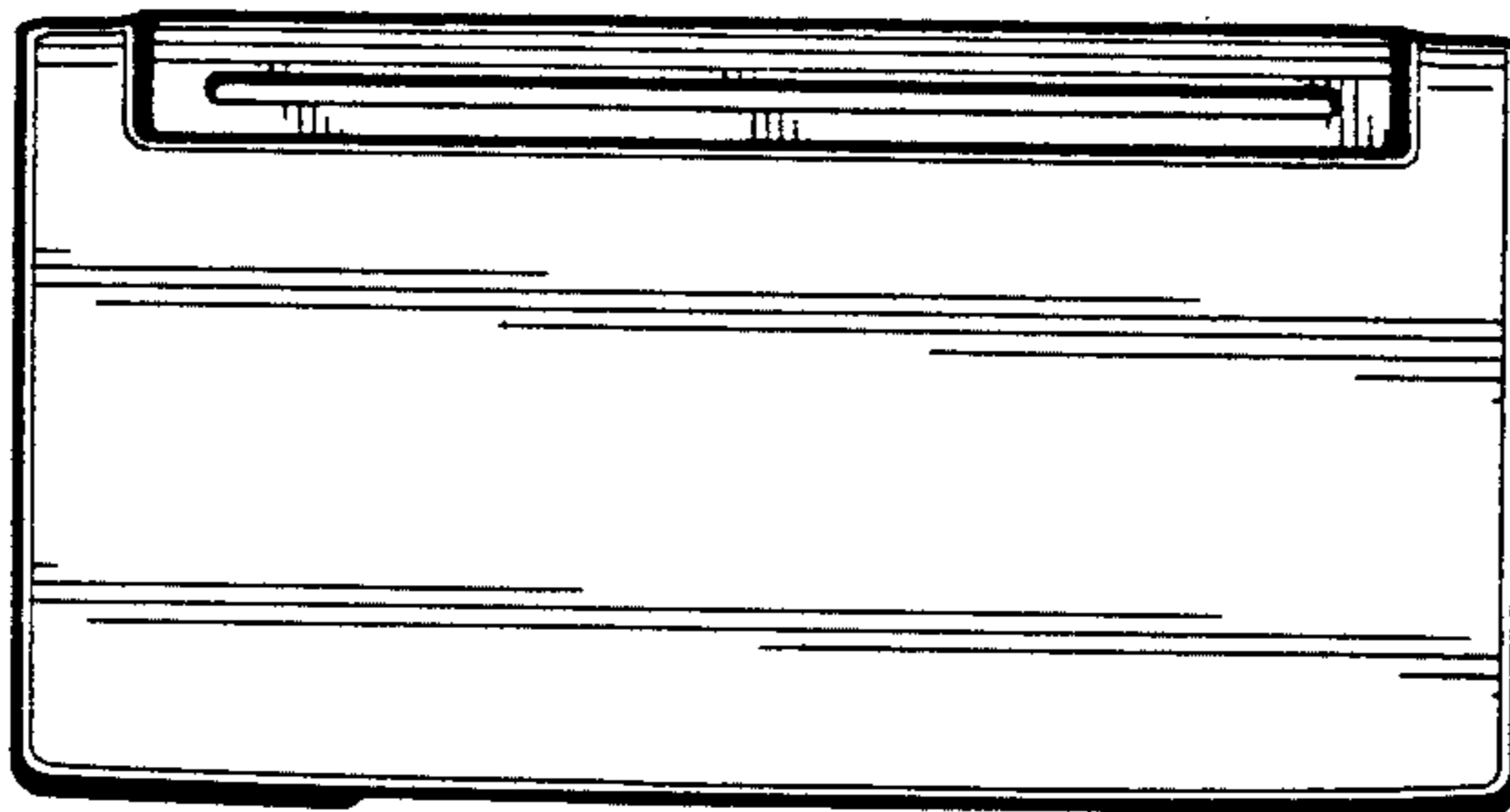


FIG. 1

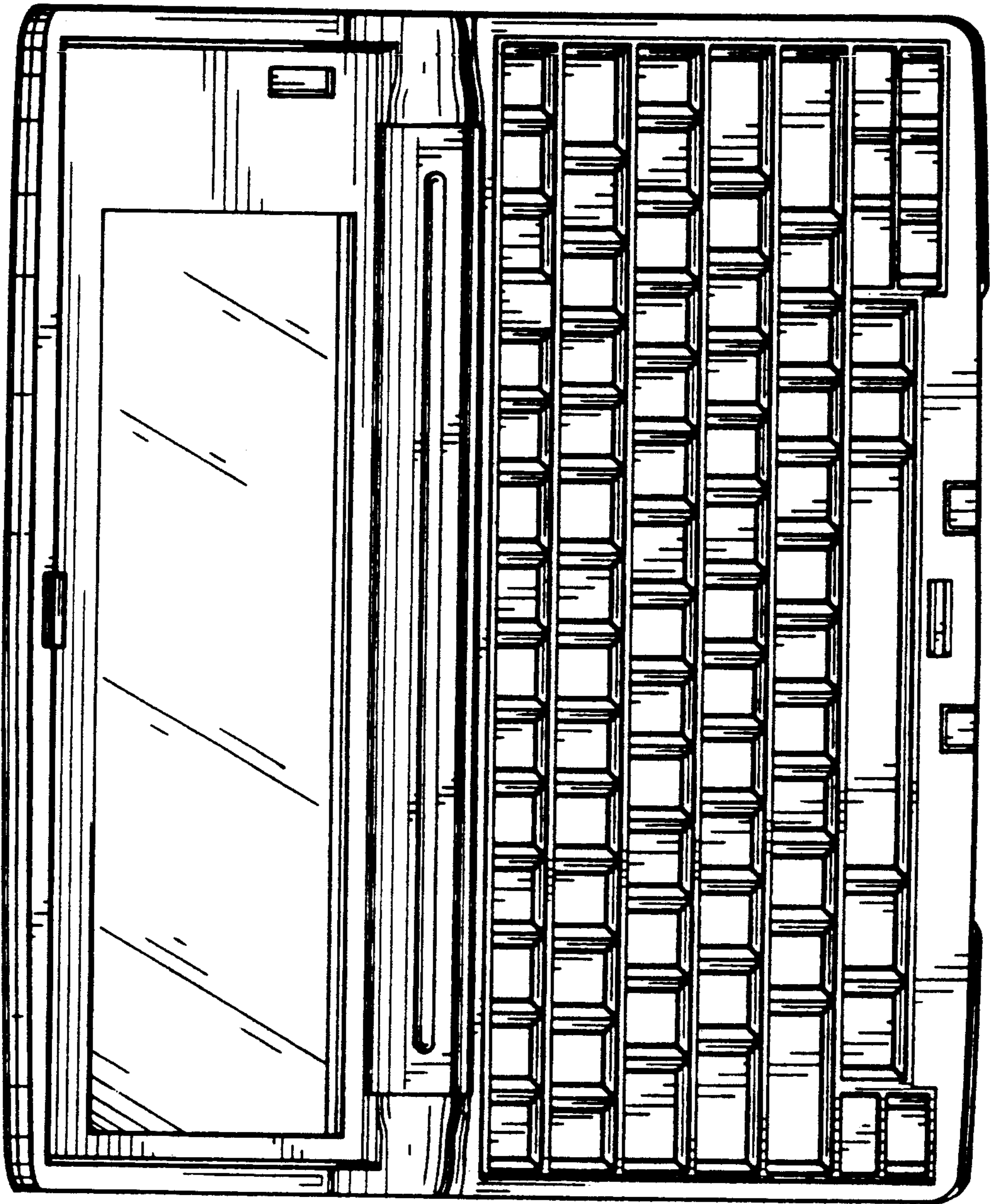


FIG. 2

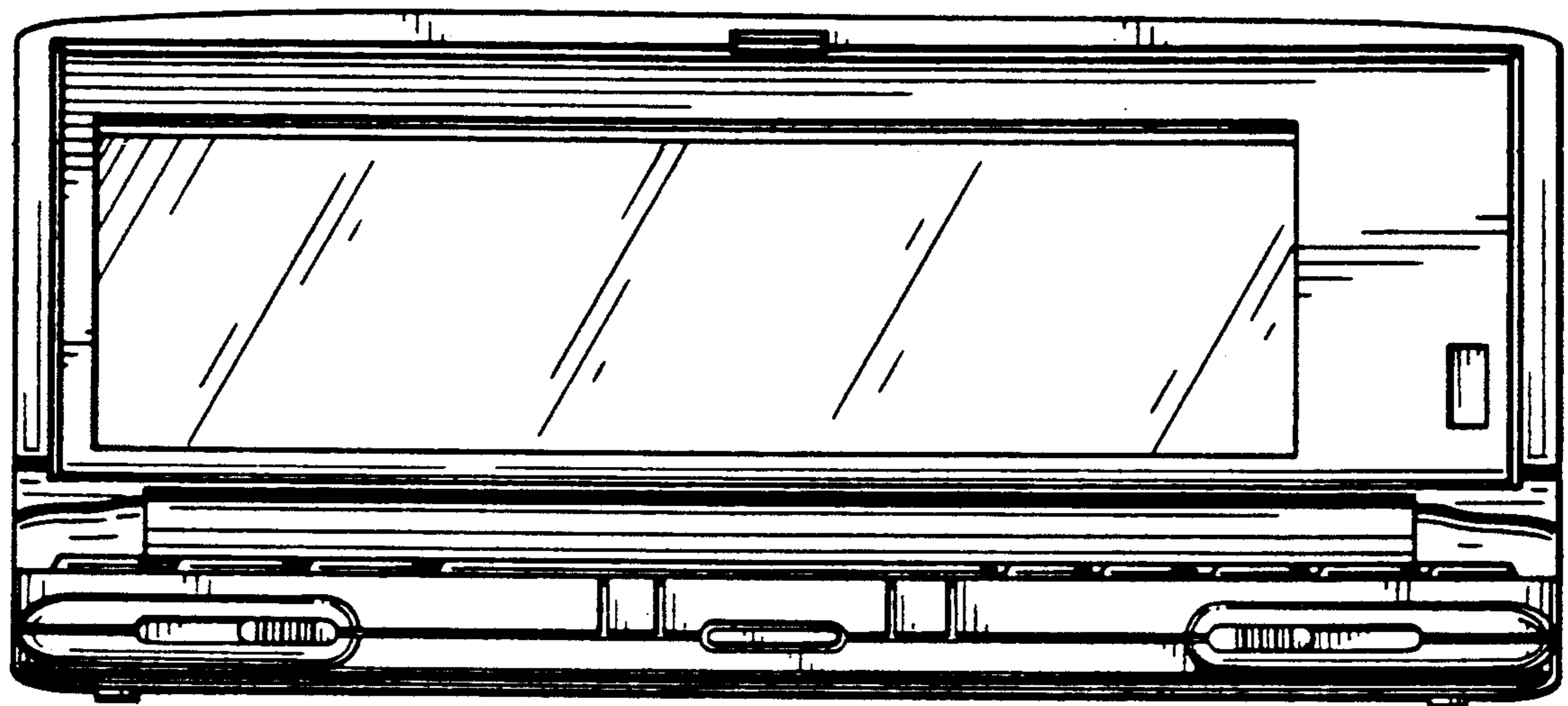


FIG. 3

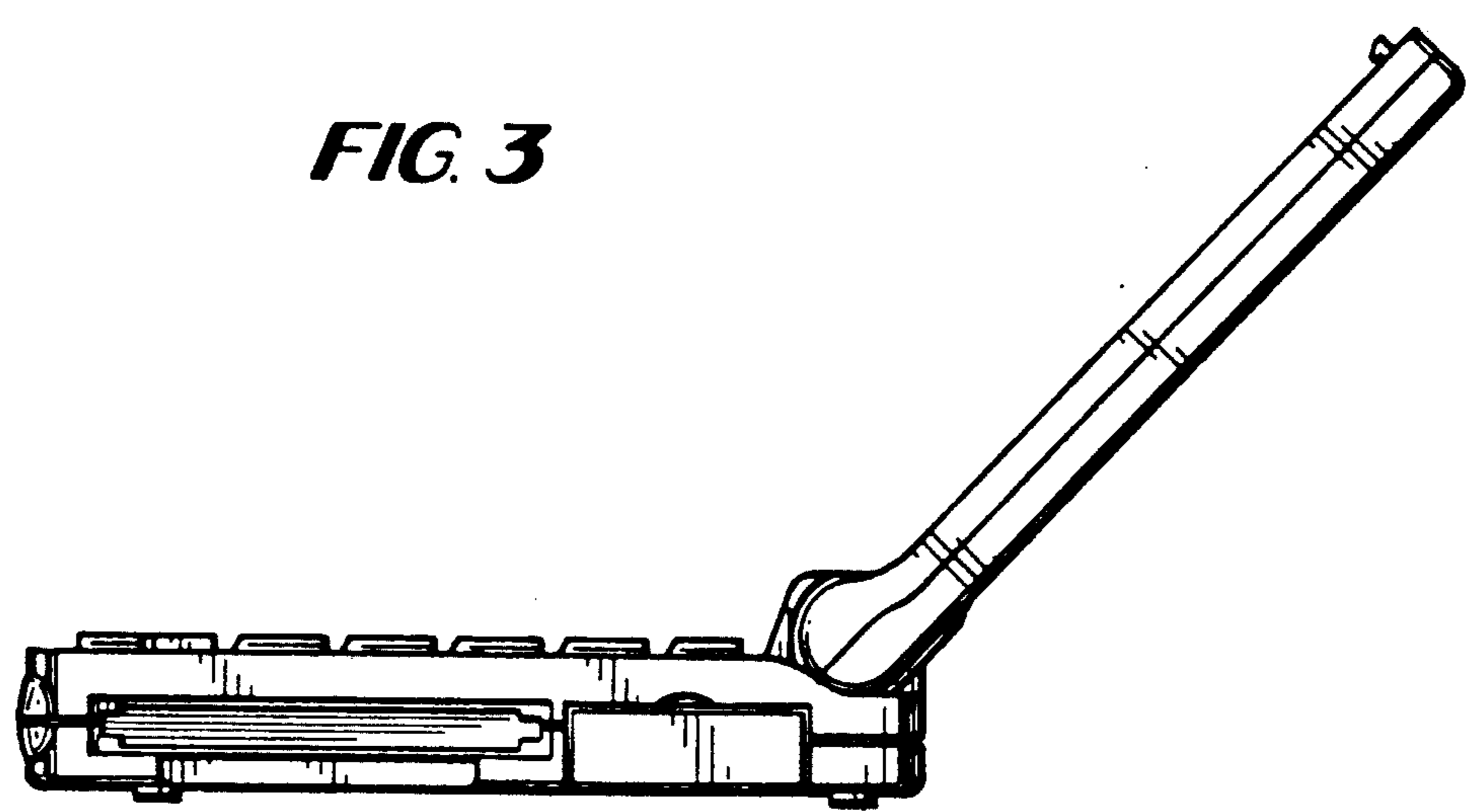


FIG. 4

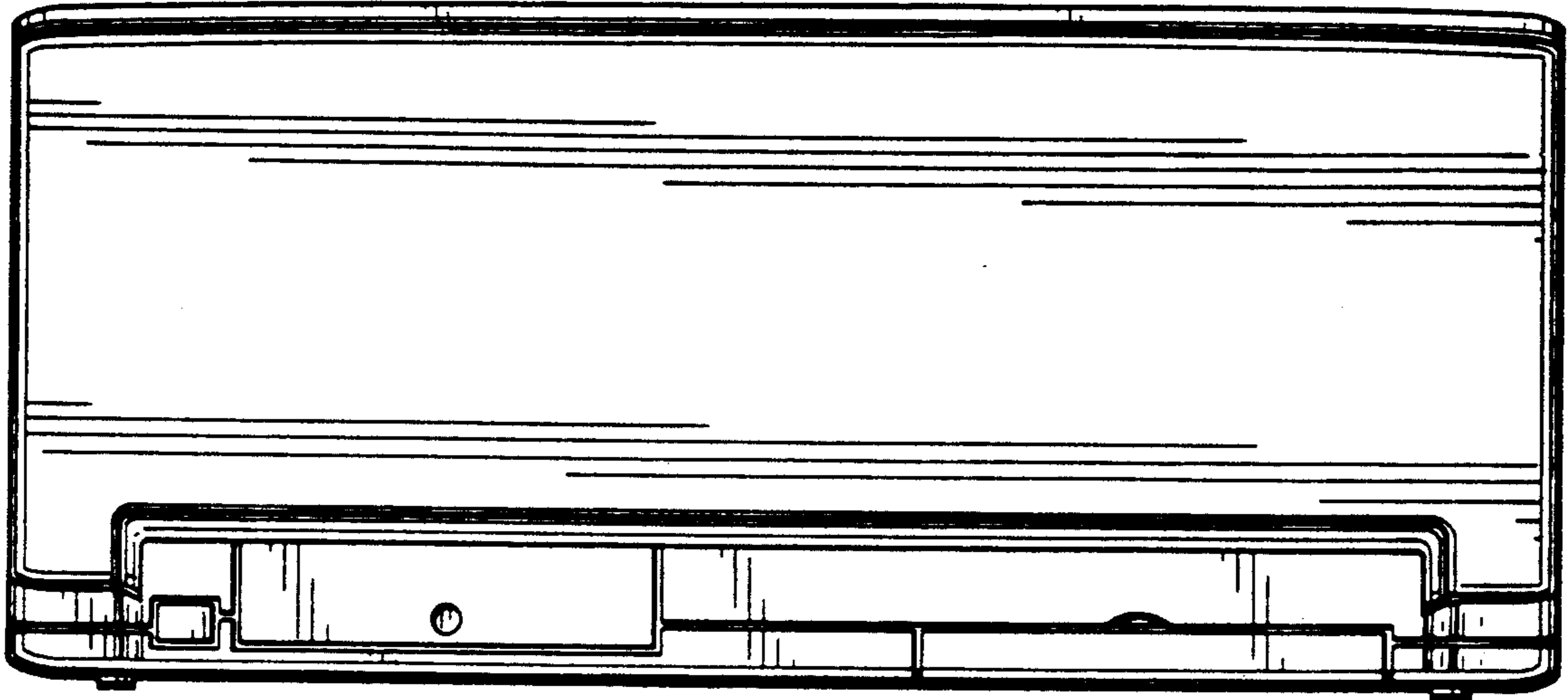


FIG. 5

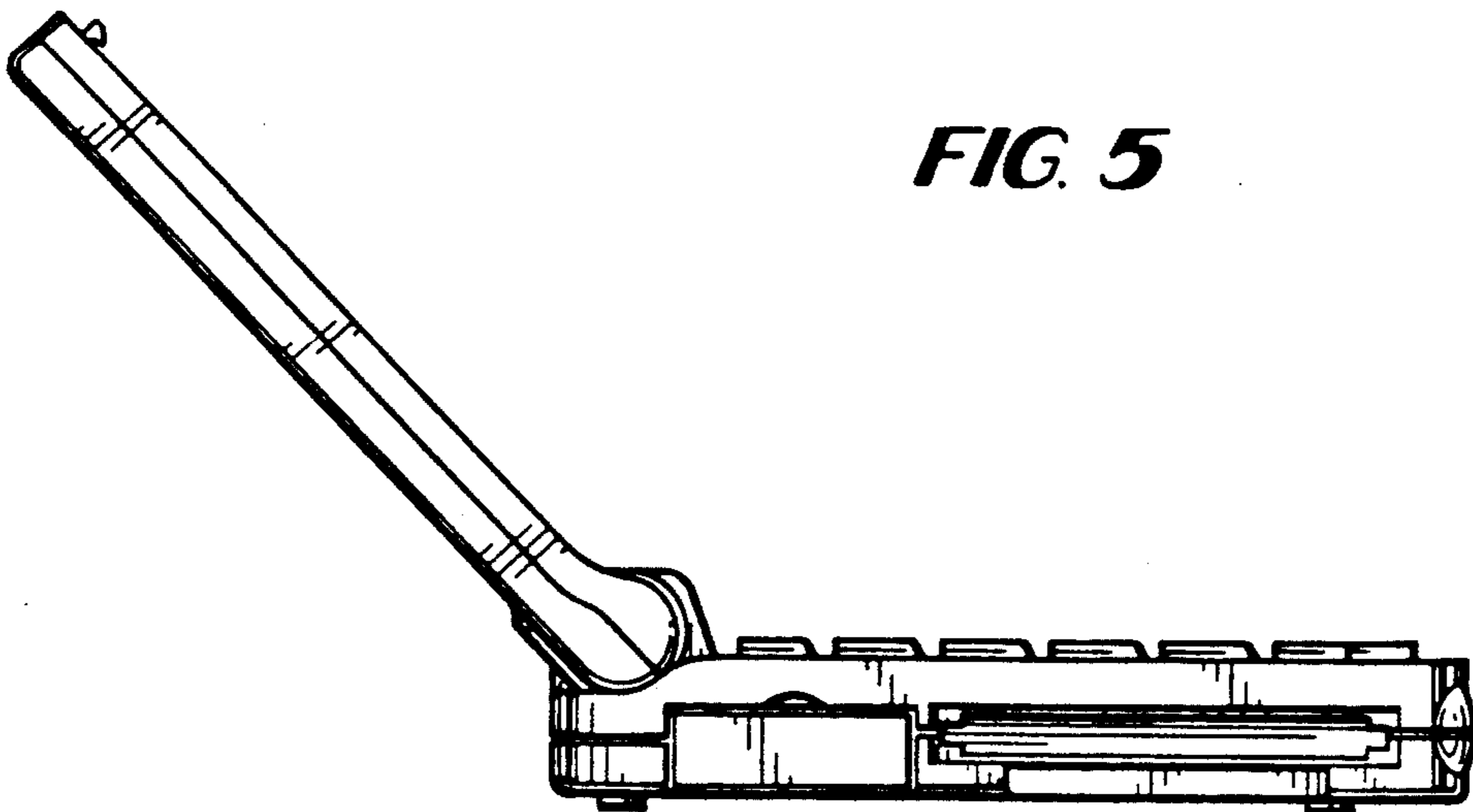
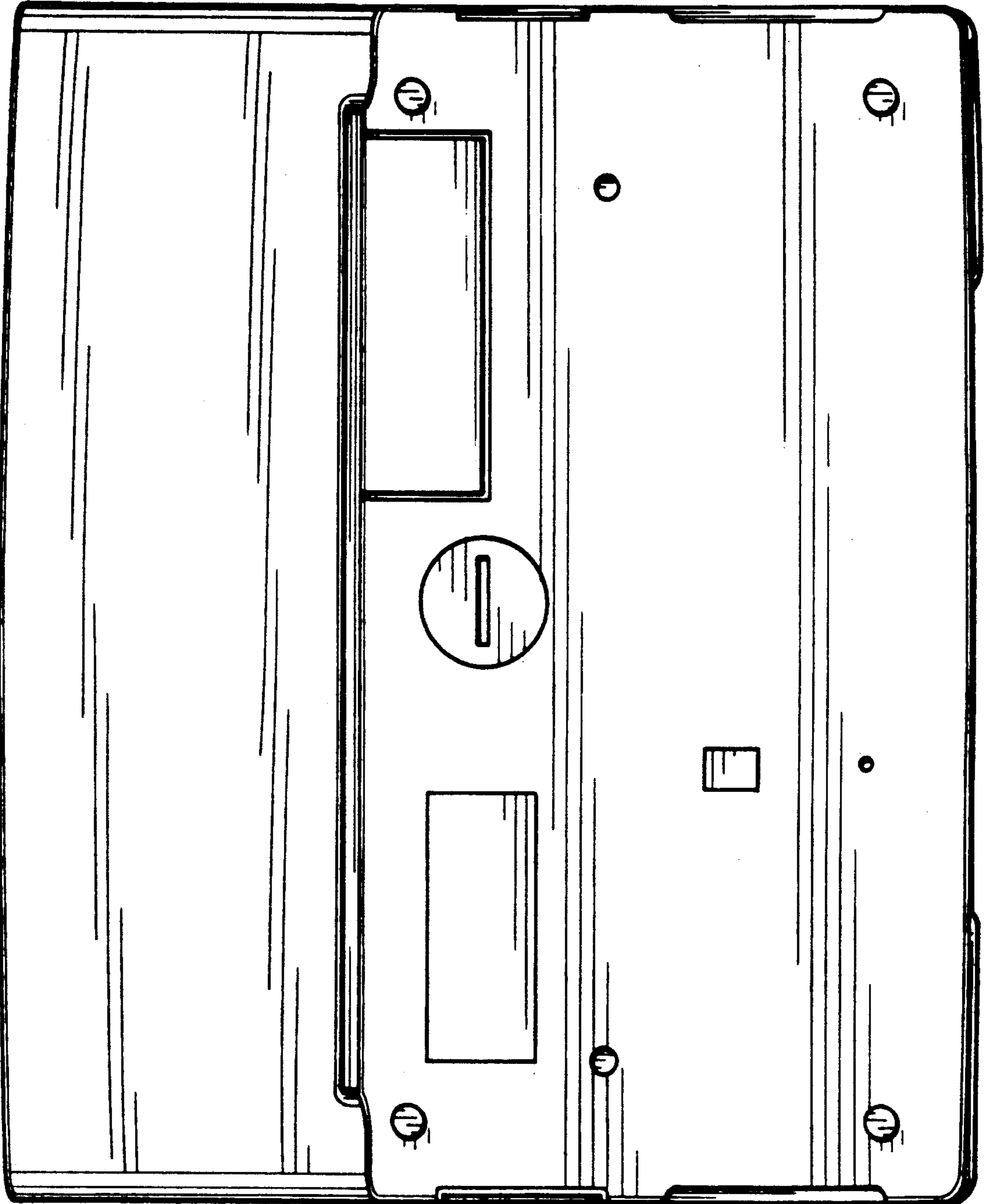


FIG. 6



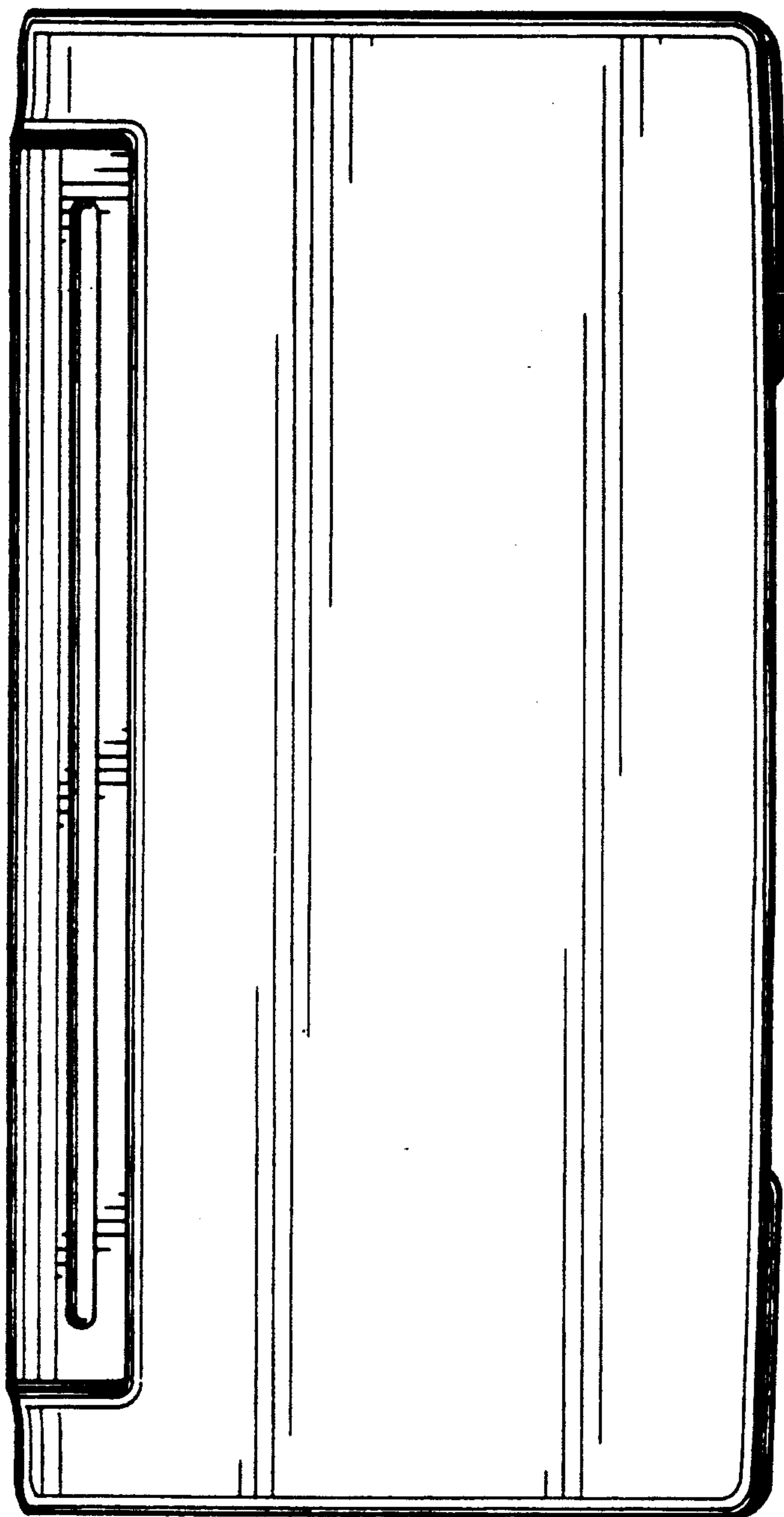


FIG. 7

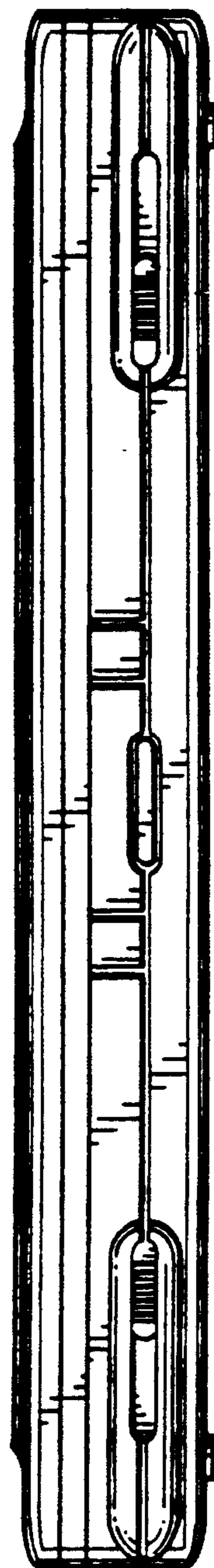


FIG. 8

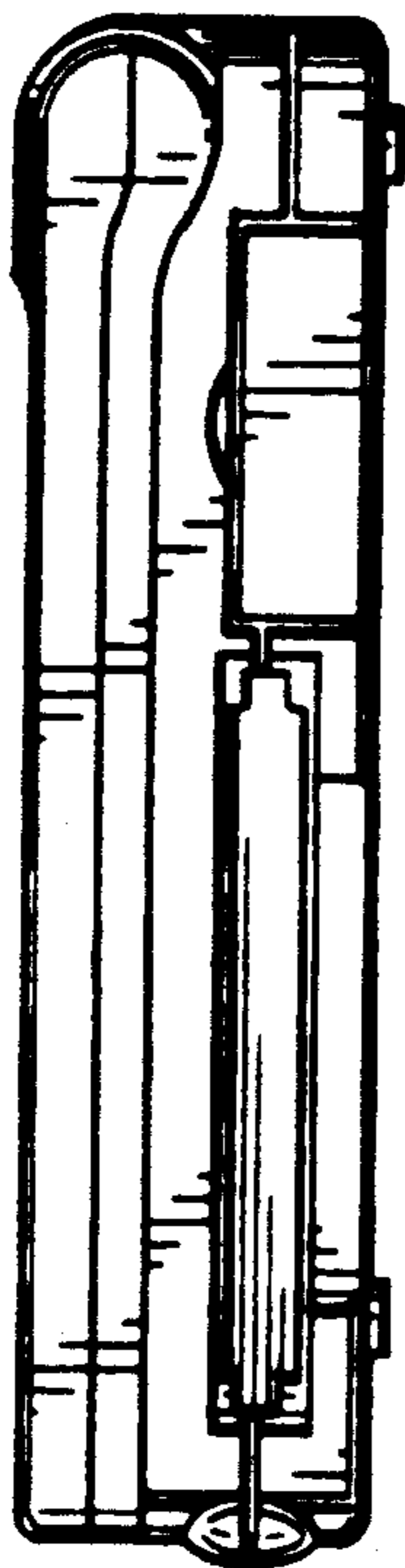


FIG. 9

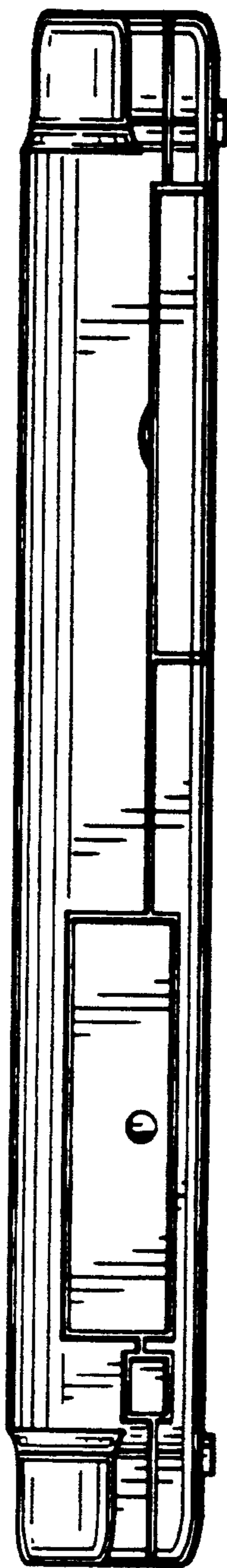


FIG. 10

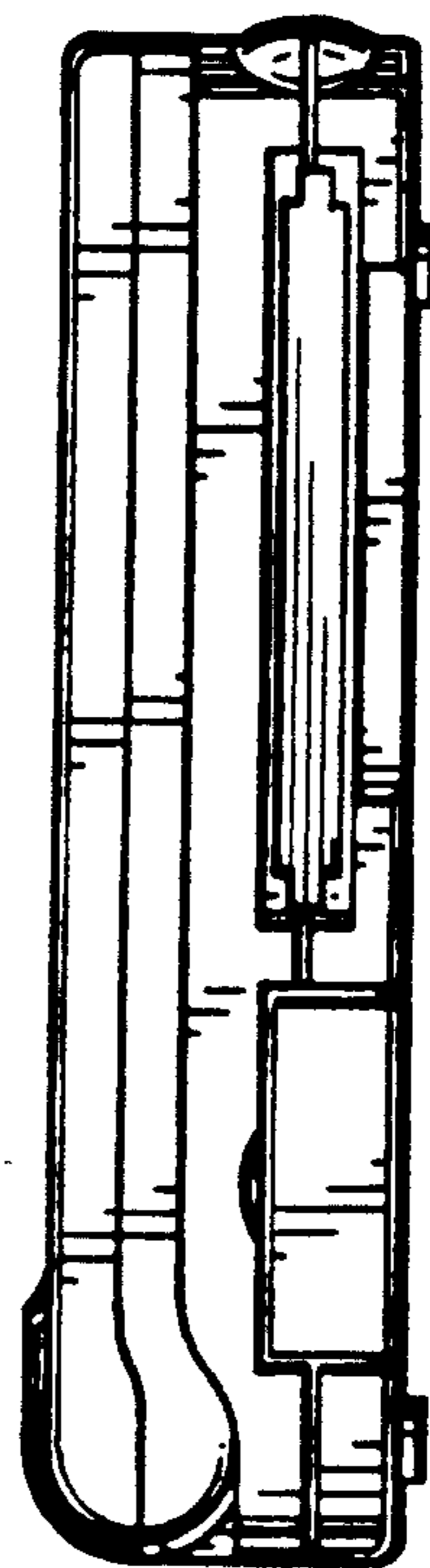
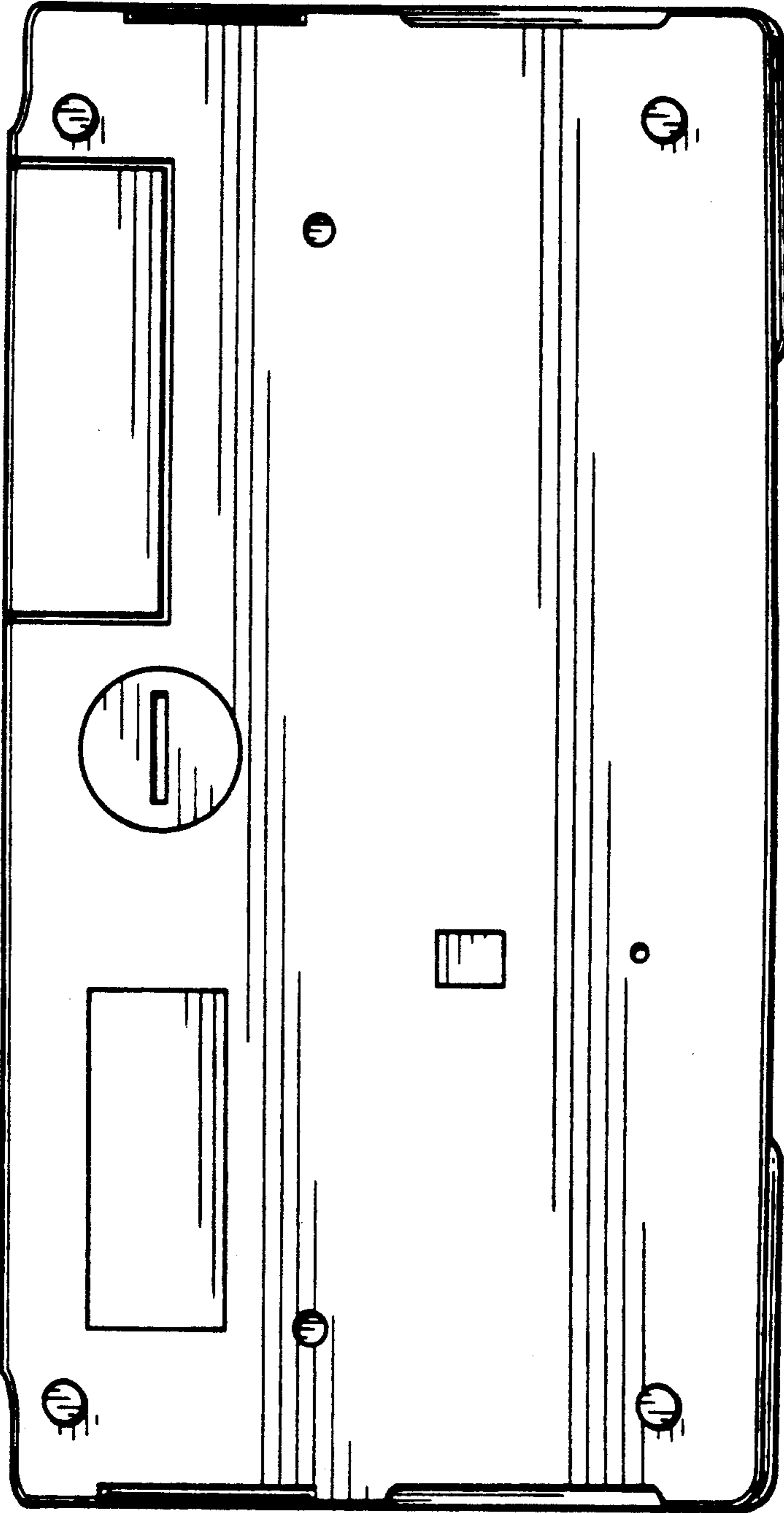


FIG. 11

FIG. 12



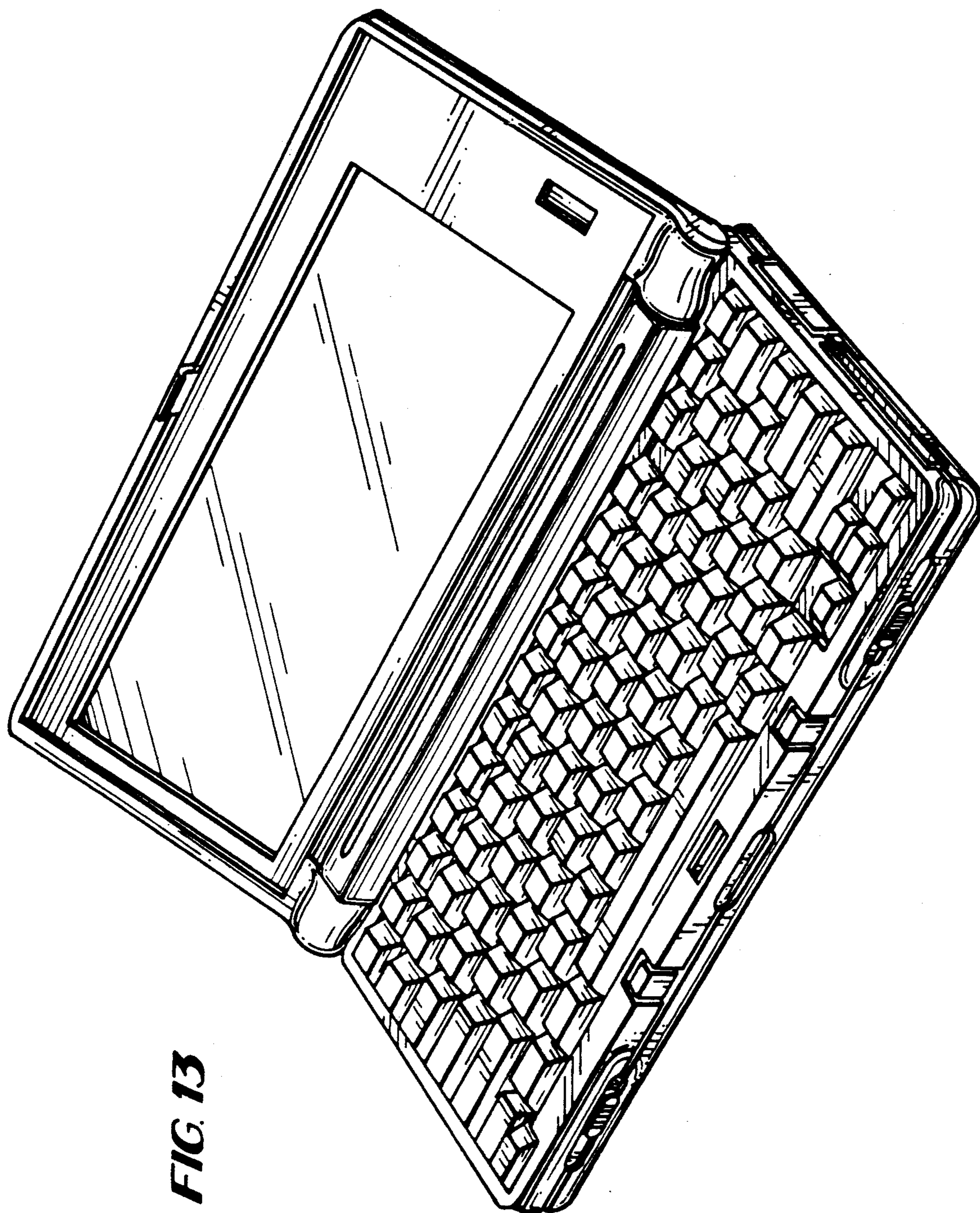


FIG. 13