



US00D344492S

United States Patent [19]
Nakamura

[11] **Patent Number: Des. 344,492**

[45] **Date of Patent: ** Feb. 22, 1994**

[54] **ELECTRICAL CONNECTING SOCKET**

5,073,130 12/1991 Nakamura 439/607

[75] **Inventor: Masahiko Nakamura, Yao, Japan**

Primary Examiner—Wallace R. Burke

[73] **Assignee: Hosiden Corporation, Yao, Japan**

Assistant Examiner—J. Sincavage

[**] **Term: 14 Years**

Attorney, Agent, or Firm—Jones, Tullar & Cooper

[21] **Appl. No.: 854,955**

[57] **CLAIM**

The ornamental design for an electrical connecting socket, as shown and described.

[22] **Filed: Mar. 20, 1992**

DESCRIPTION

[30] **Foreign Application Priority Data**

Sep. 26, 1991 [JP] Japan 3-29243

[52] **U.S. Cl. D13/147**

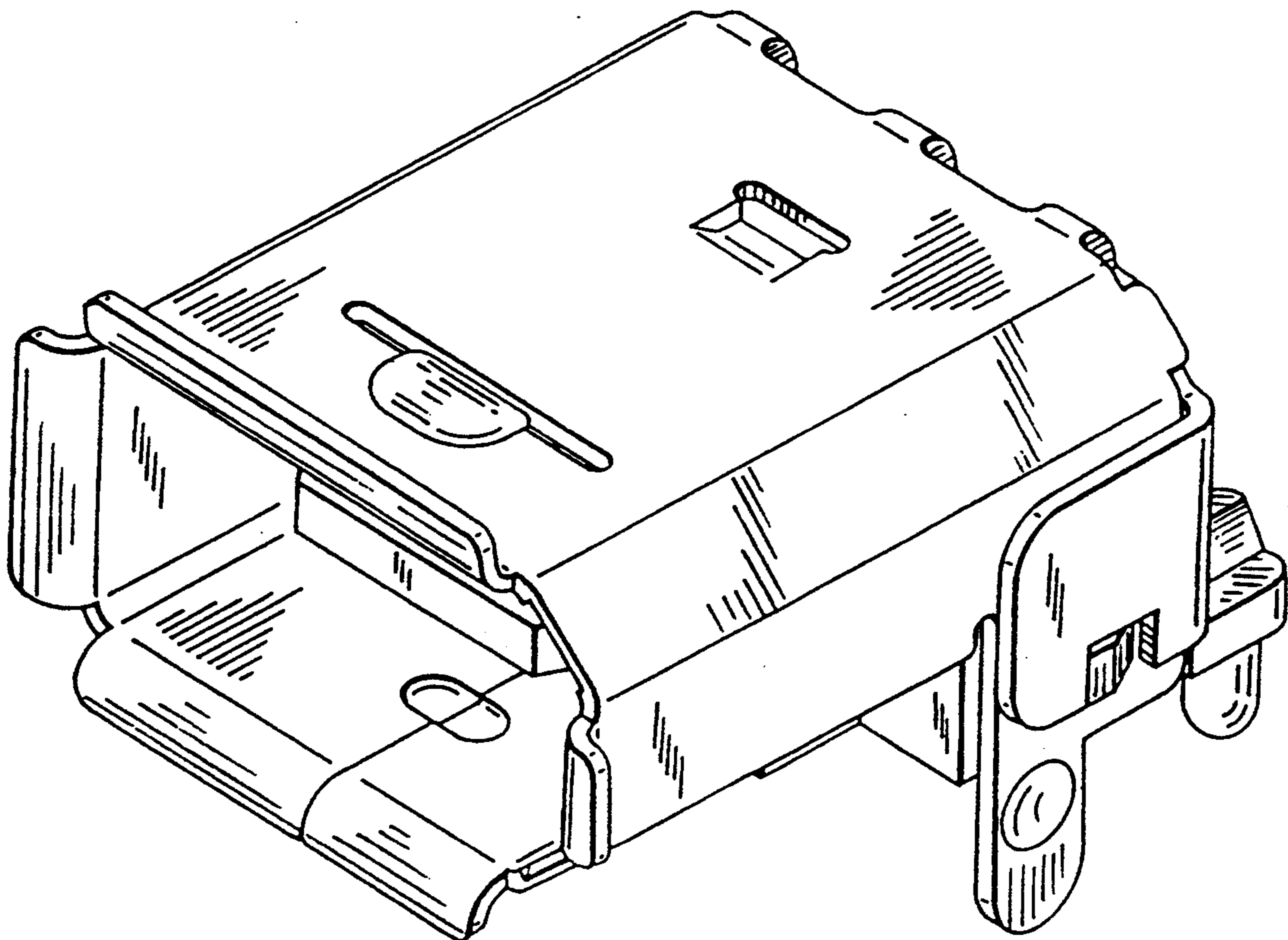
[58] **Field of Search 439/606, 607, 678, 682, 439/723, 694, 329, 557, 567; D13/147**

FIG. 1 is a front, top and right side perspective view of an electrical connecting socket showing my new design; FIG. 2 is a front elevational view thereof; FIG. 3 is a rear elevational view thereof; FIG. 4 is a right side elevational view thereof; FIG. 5 is a left side elevational view thereof; FIG. 6 is a top plan view thereof; FIG. 7 is a bottom plan view thereof; and, FIG. 8 is a front and lower right perspective view thereof.

[56] **References Cited**

U.S. PATENT DOCUMENTS

5,017,156 5/1991 Sugiyama 439/607



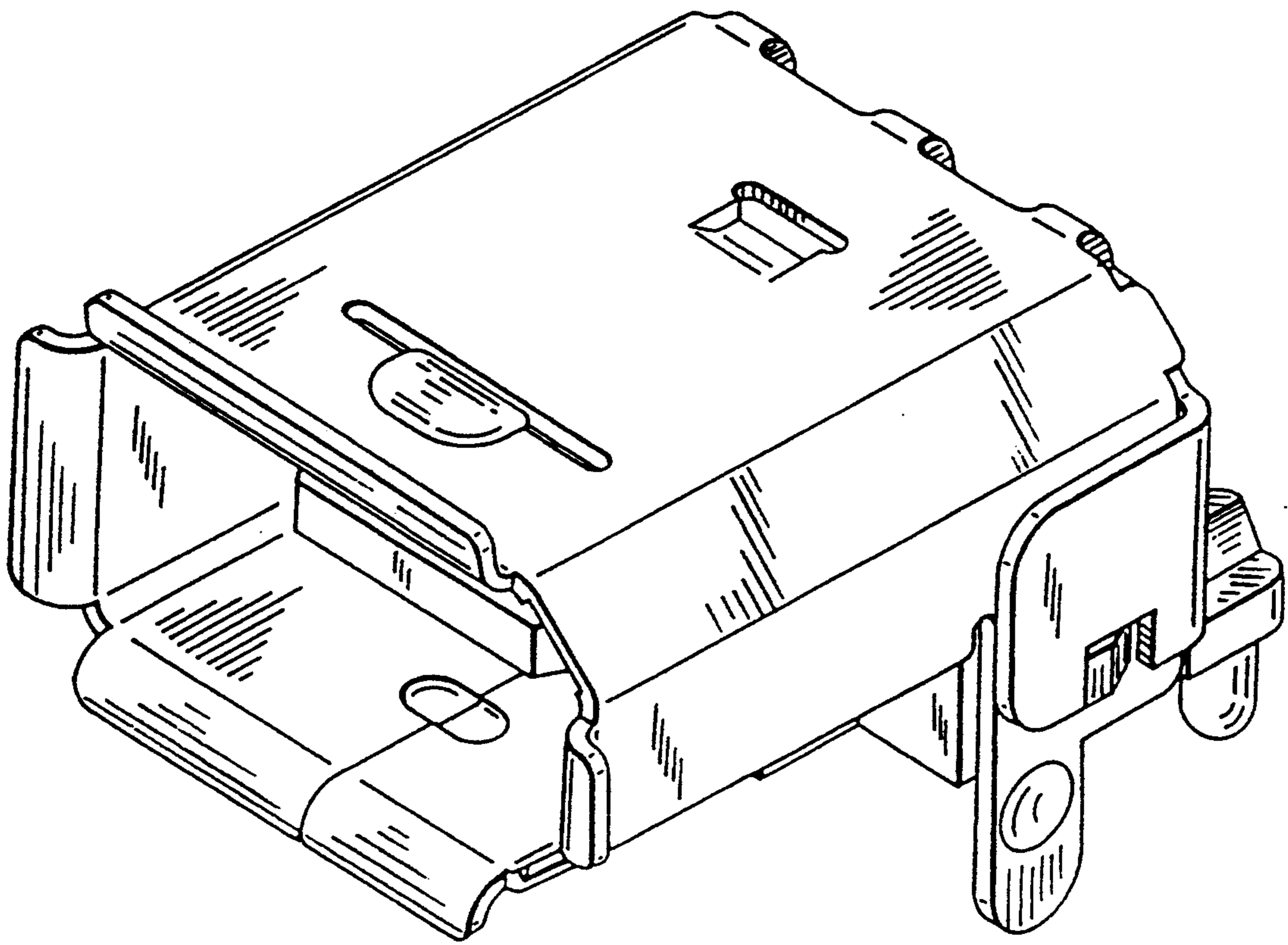


FIG. 1

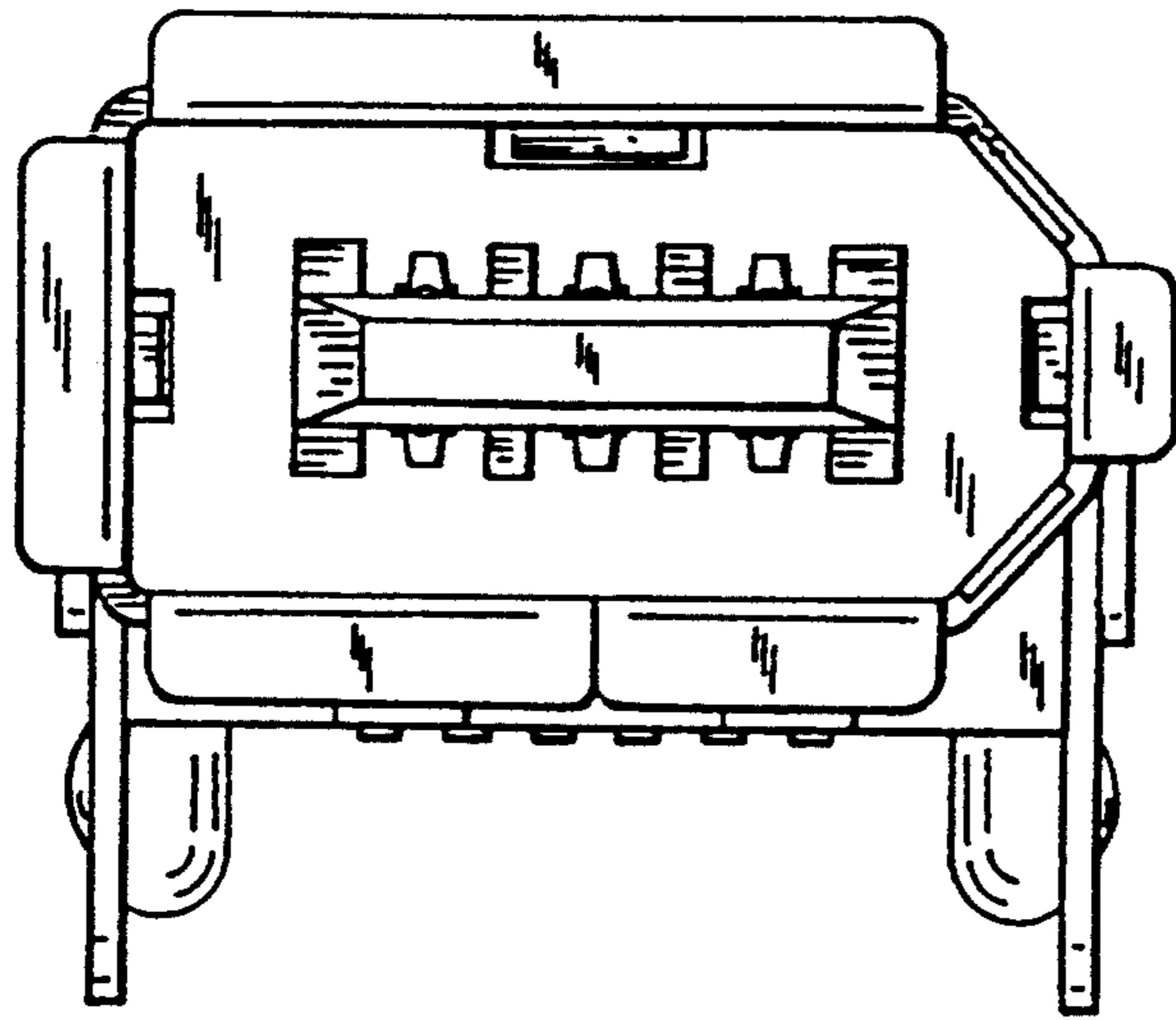
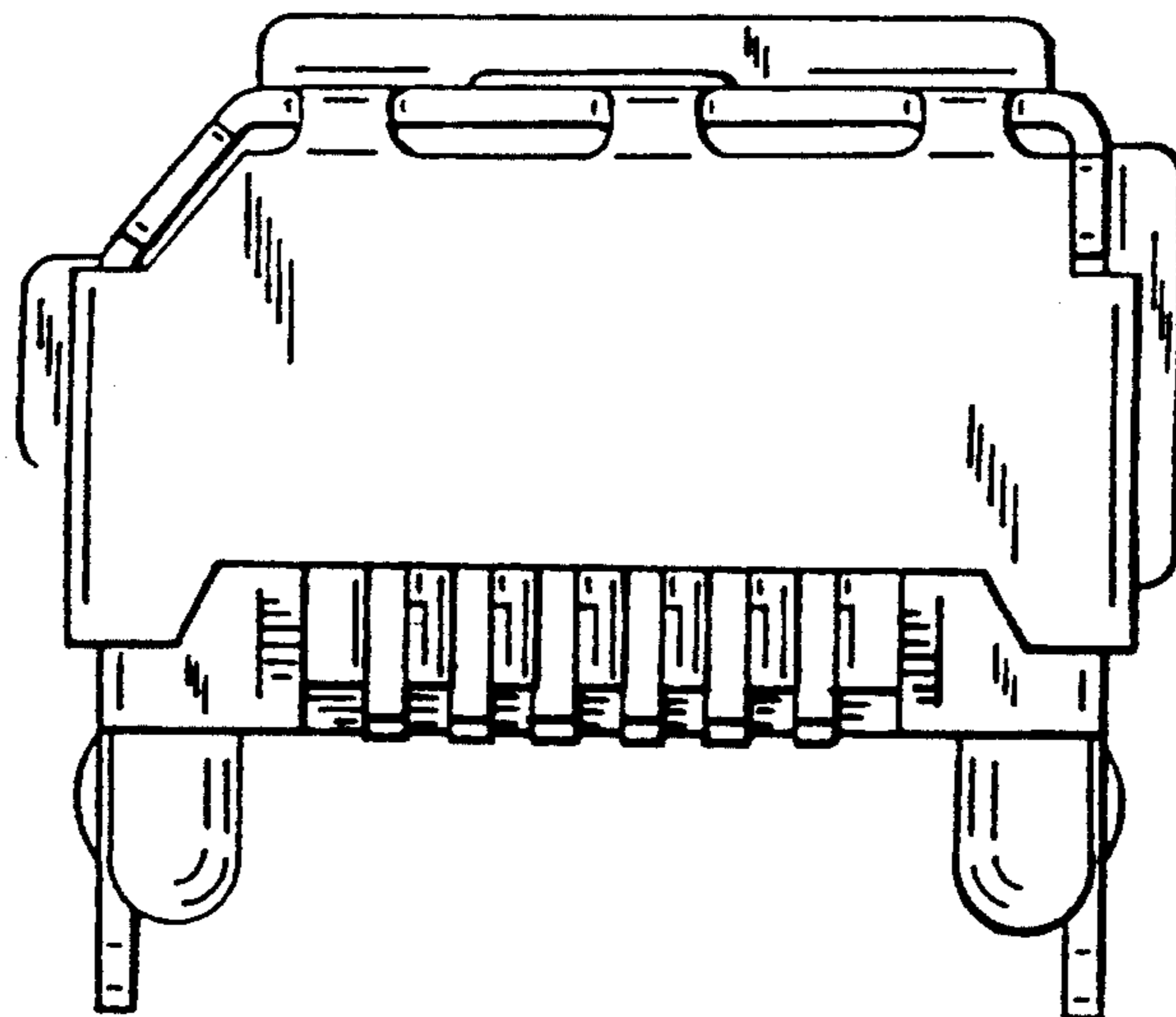


FIG. 2

FIG. 3



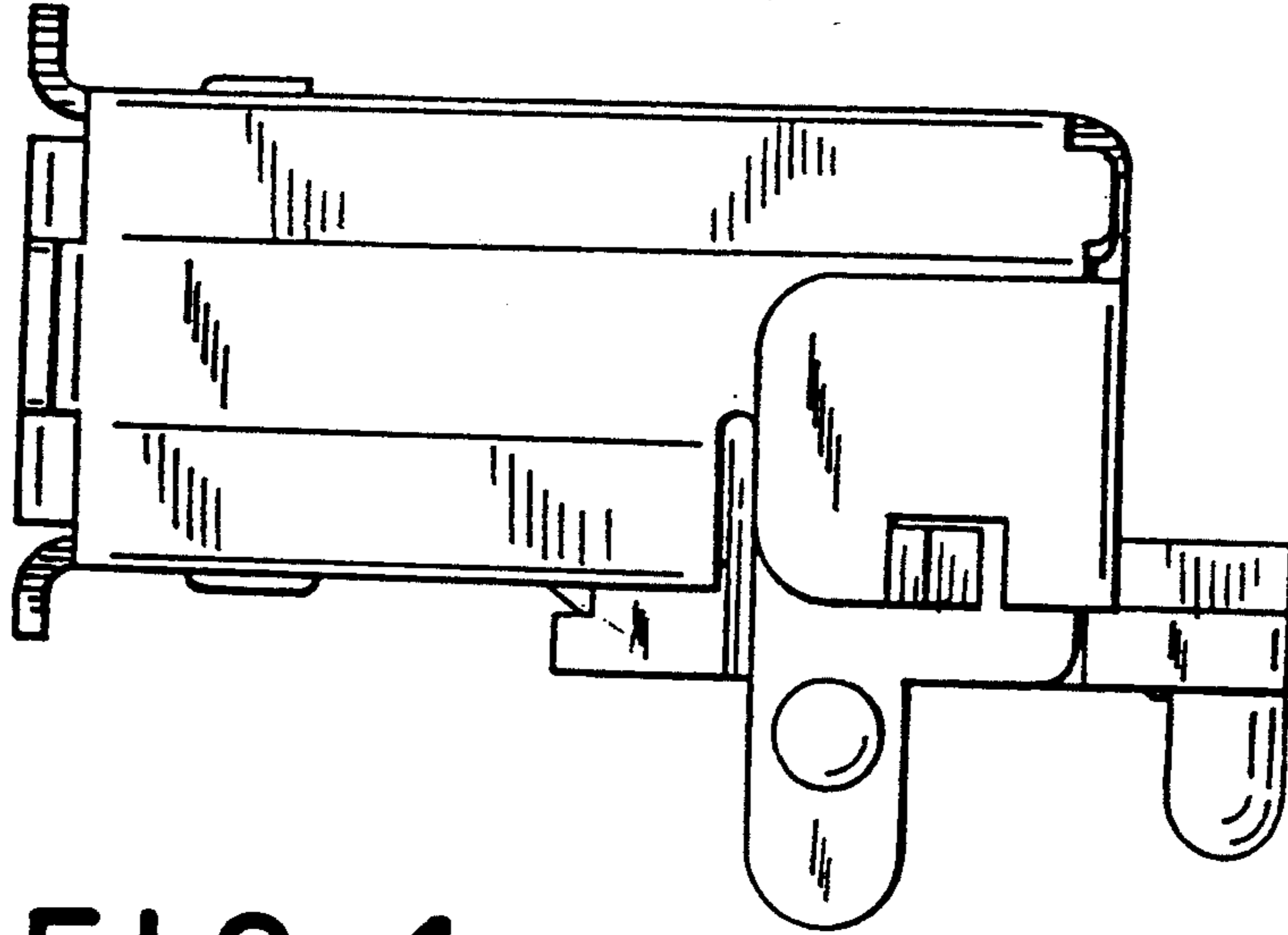


FIG. 4

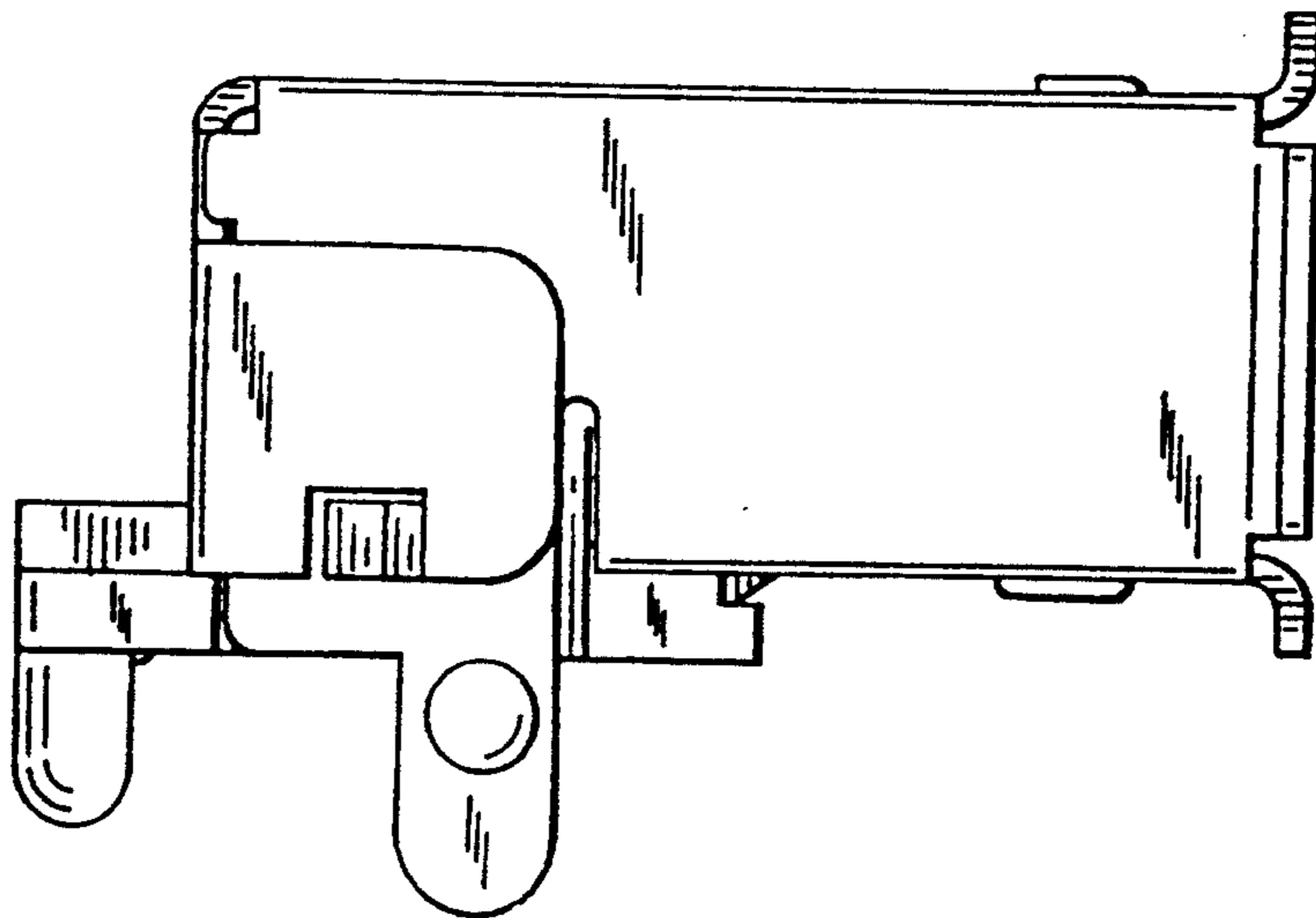


FIG. 5

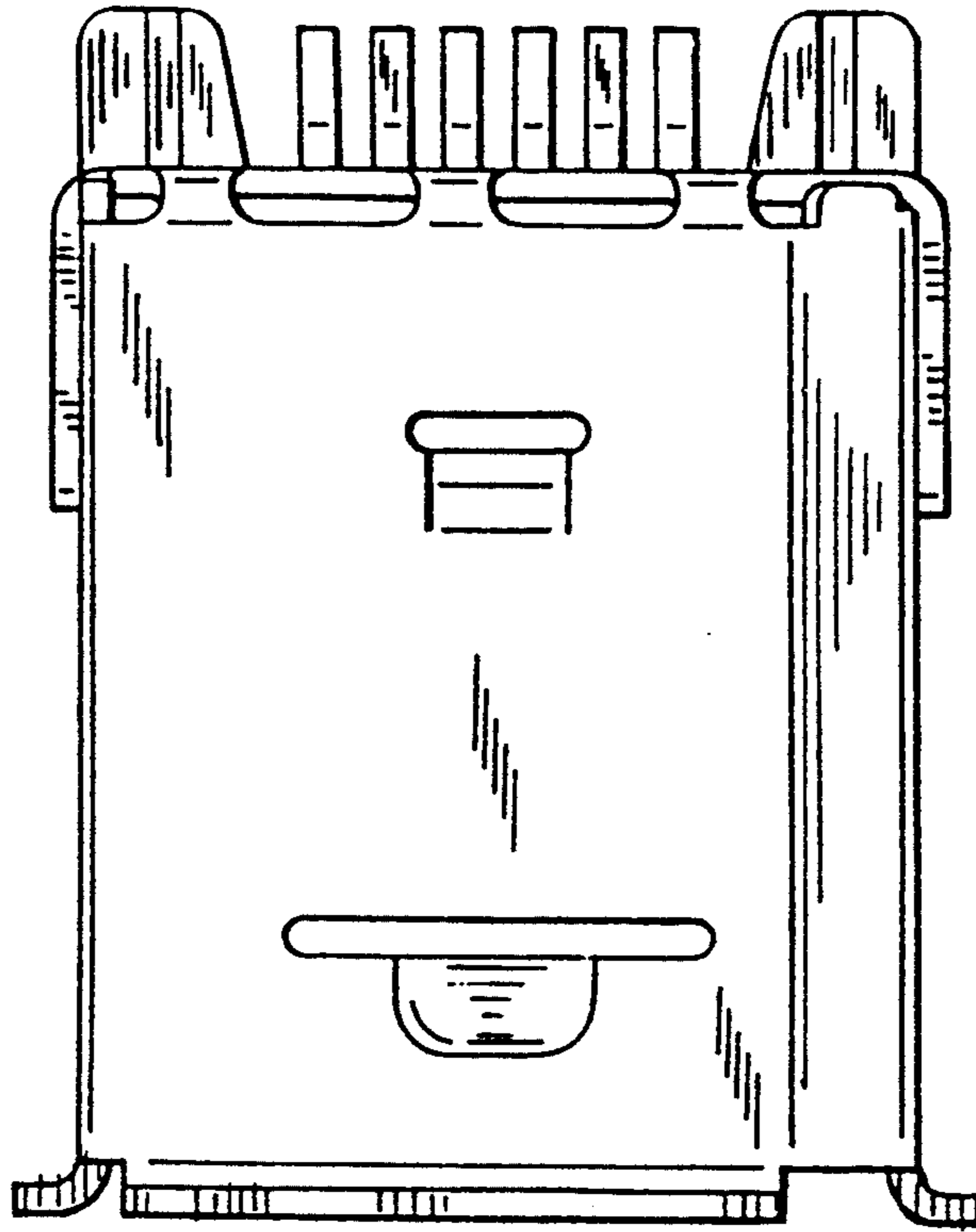
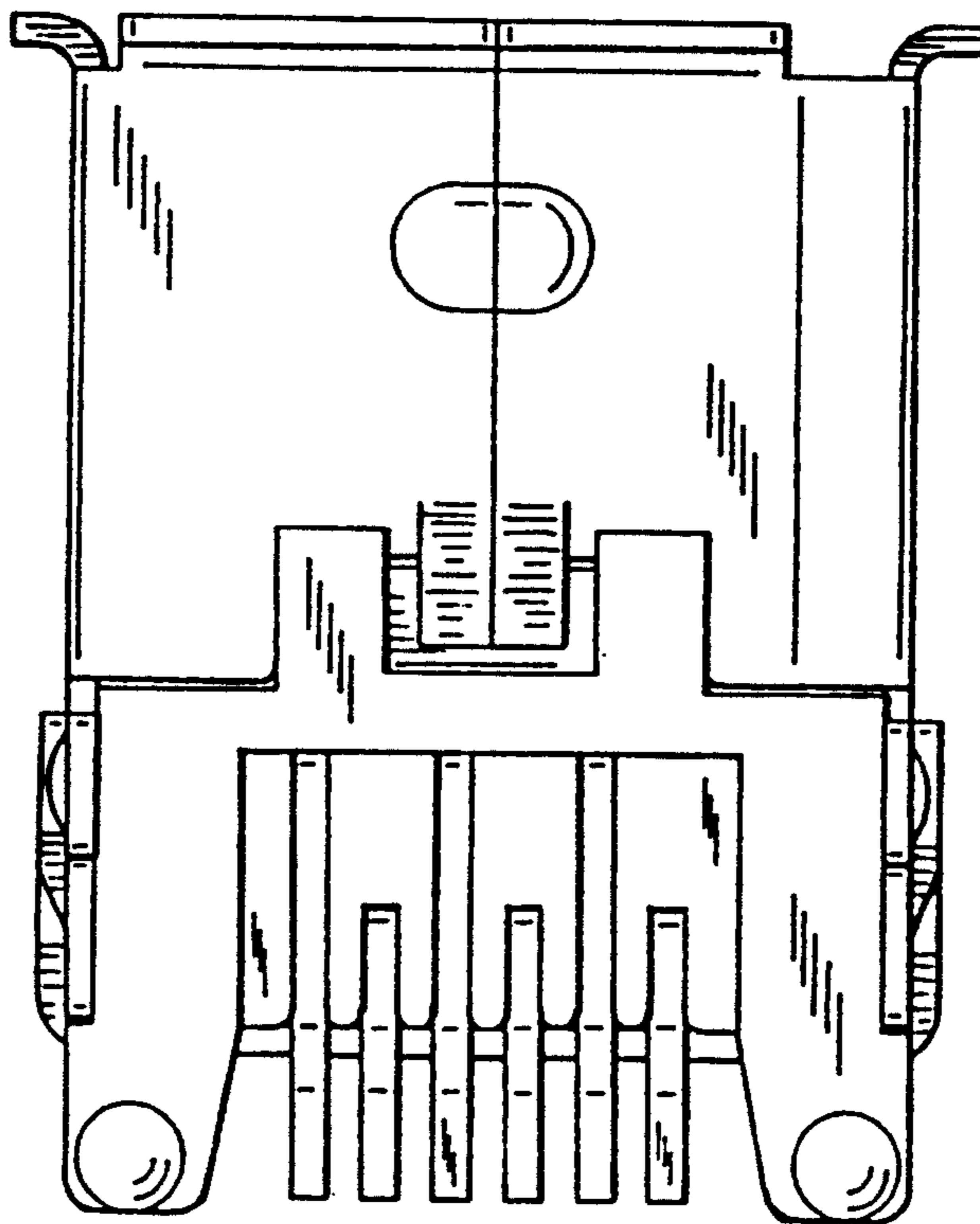


FIG. 6

FIG. 7



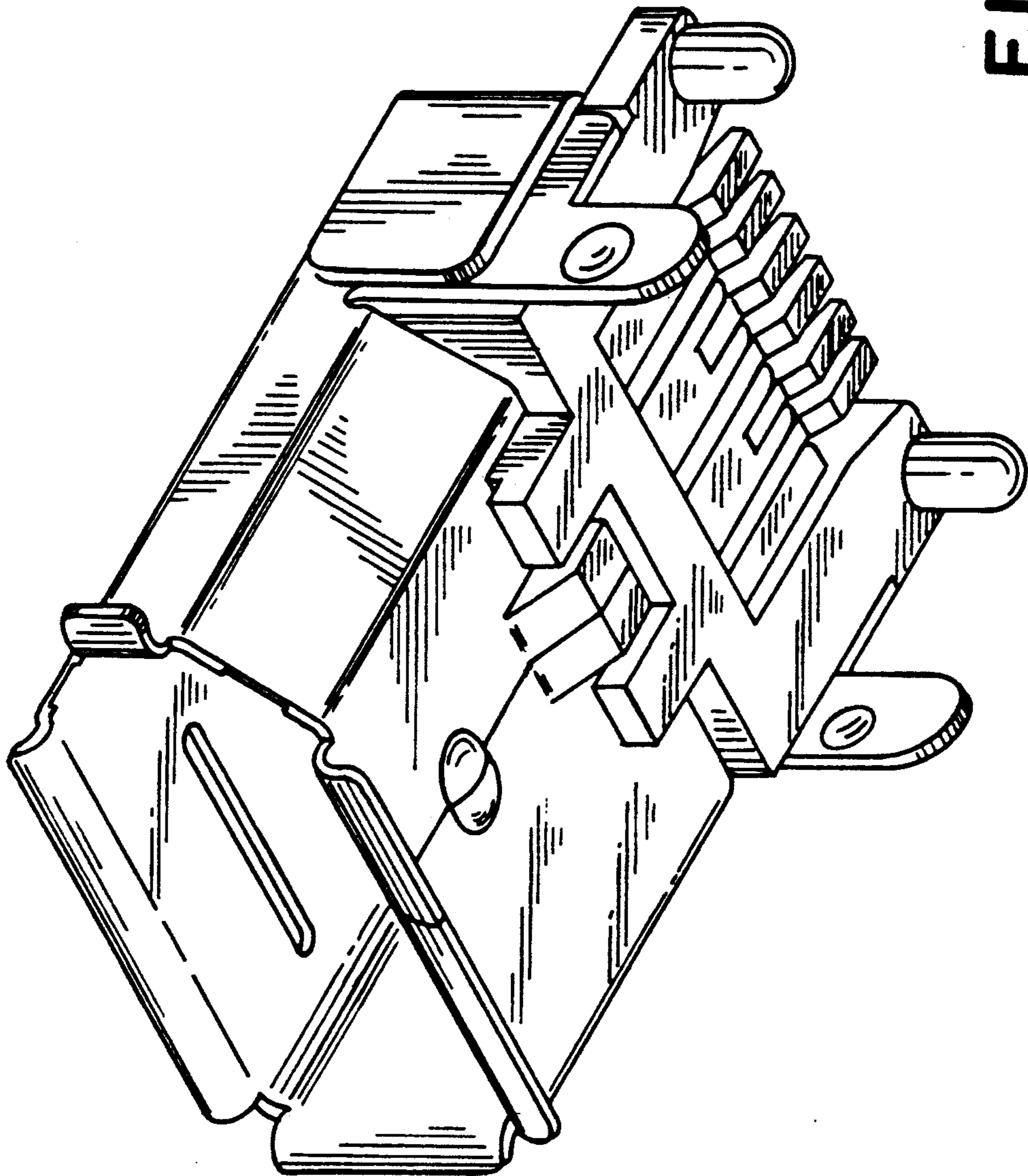


FIG. 8