



US00D344490S

United States Patent [19]

Nociar

[11] Patent Number: **Des. 344,490**

[45] Date of Patent: **** Feb. 22, 1994**

[54] **SIX PIN ELECTRICAL RECEPTACLE**

[75] Inventor: **Emil R. Nociar, Calgary, Canada**

[73] Assignee: **Seismic Cable Service Ltd., Calgary, Canada**

[*] Notice: **The portion of the term of this patent subsequent to Sep. 29, 2006 has been disclaimed.**

[**] Term: **14 Years**

[21] Appl. No.: **850,785**

[22] Filed: **Mar. 13, 1992**

[30] **Foreign Application Priority Data**

Oct. 25, 1991 [CA] **Canada** 25-10-91-2

[52] U.S. Cl. **D13/146**

[58] Field of Search 439/34, 35, 36, 144, 439/521, 533, 538, 567, 569, 707, 892; D13/146, 154, 156

[56] **References Cited**

U.S. PATENT DOCUMENTS

- D. 329,840 9/1992 Nociar D13/146
- 3,915,476 10/1975 Burkle 439/34 X
- 4,061,407 12/1977 Snow D13/154 X

- 4,072,381 2/1978 Burkhart et al. 439/144
- 4,245,875 1/1981 Ghaffer et al. 439/144
- 4,390,226 6/1983 Hohn 439/144 X
- 4,770,644 9/1988 Feder 439/35 X
- 4,846,697 7/1989 Rodgers 439/35

FOREIGN PATENT DOCUMENTS

3537944 4/1987 Fed. Rep. of Germany D13/

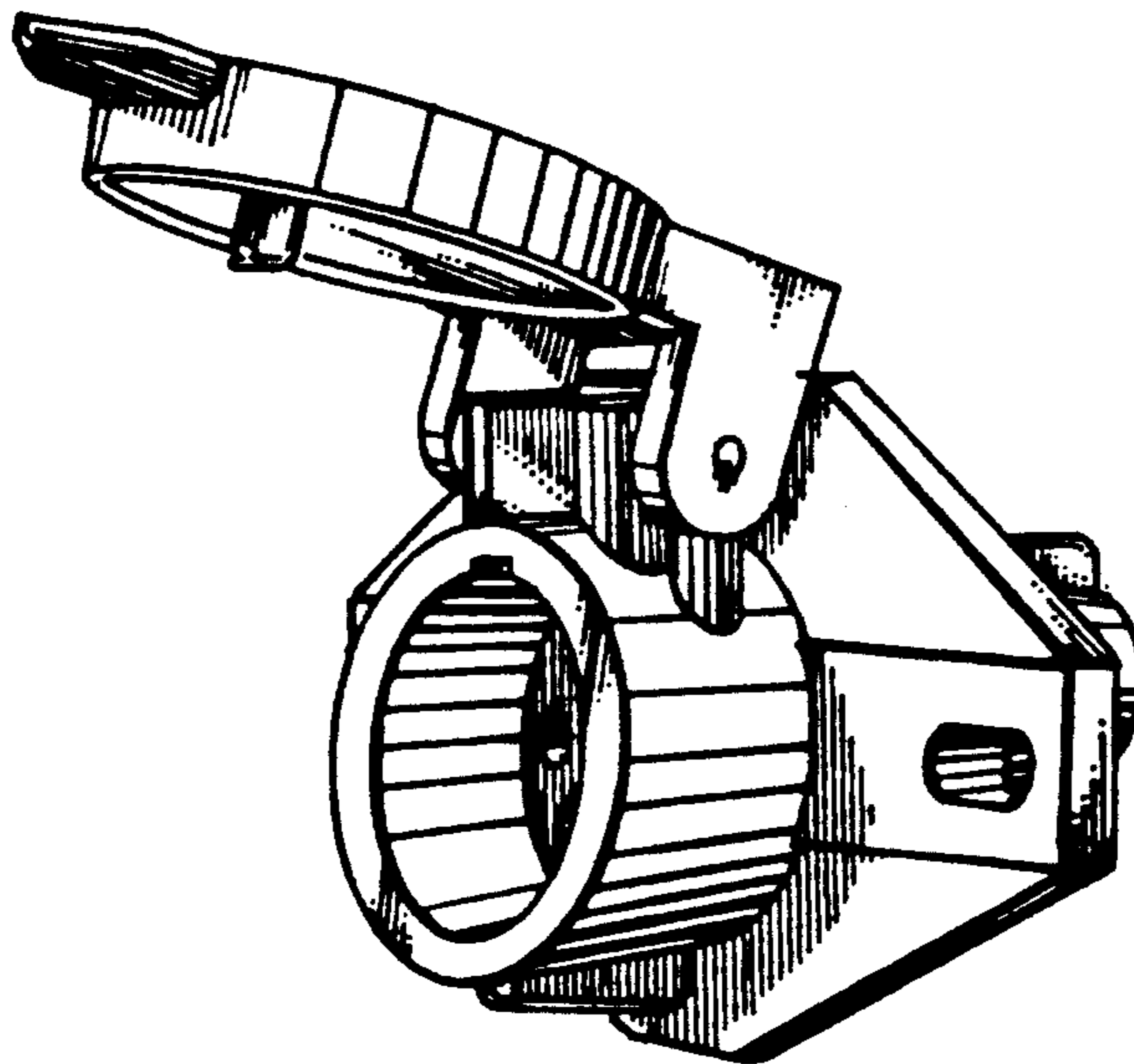
Primary Examiner—Wallace R. Burke
Assistant Examiner—Joel Sincavage
Attorney, Agent, or Firm—Flehr, Hohbach, Test, Albritton & Herbert

[57] **CLAIM**

The ornamental design for the six pin electrical receptacle, as shown and described.

DESCRIPTION

FIG. 1 is a front view of the said six pin electrical receptacle;
FIG. 2 is a rear view thereof;
FIG. 3 is a side view of one side thereof;
FIG. 4 is a side view of the other side thereof;
FIG. 5 is a top view thereof;
FIG. 6 is a bottom view thereof; and,
FIG. 7 is a perspective view thereof, with the cover thereof open.



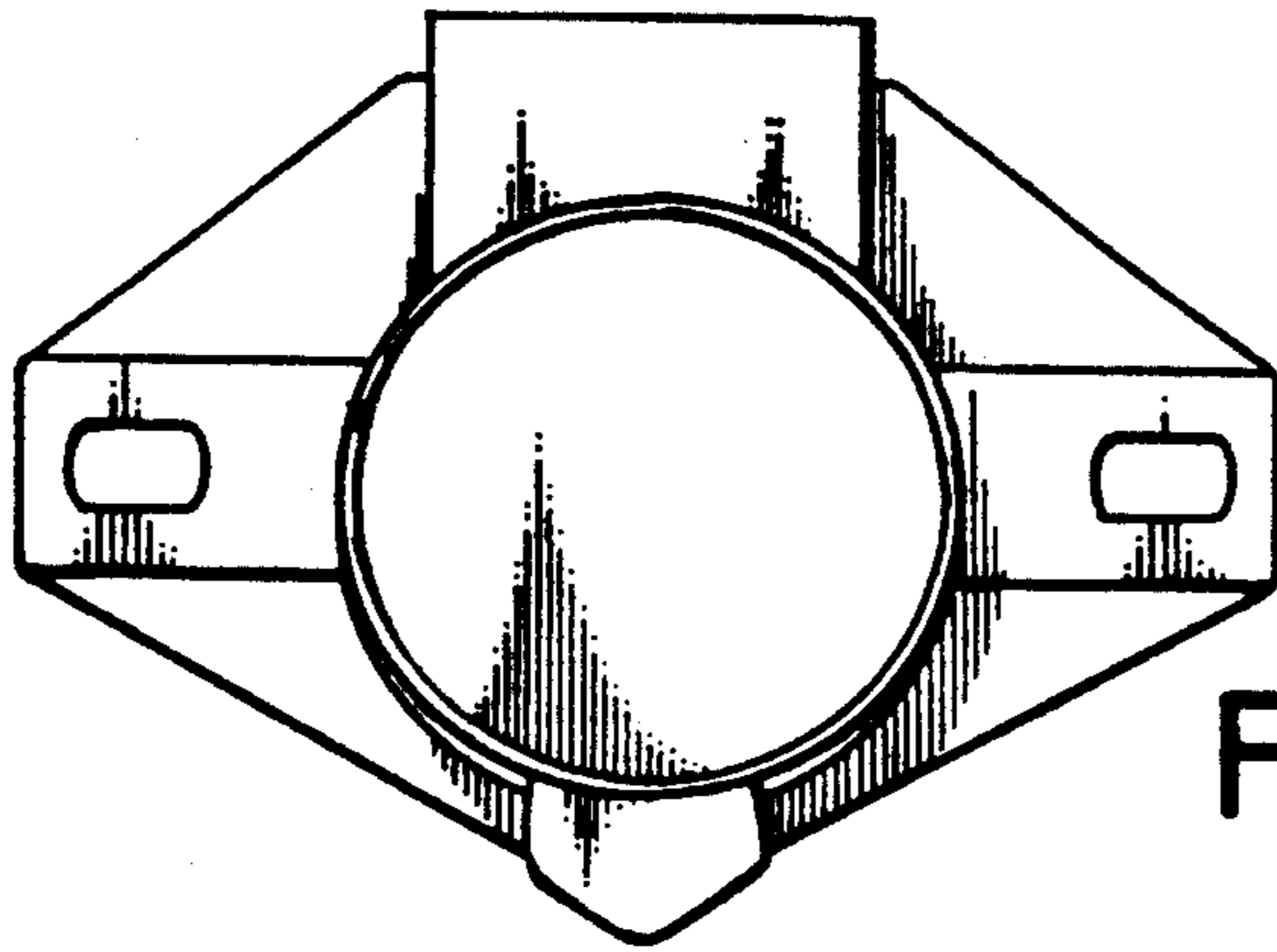


FIG. 1

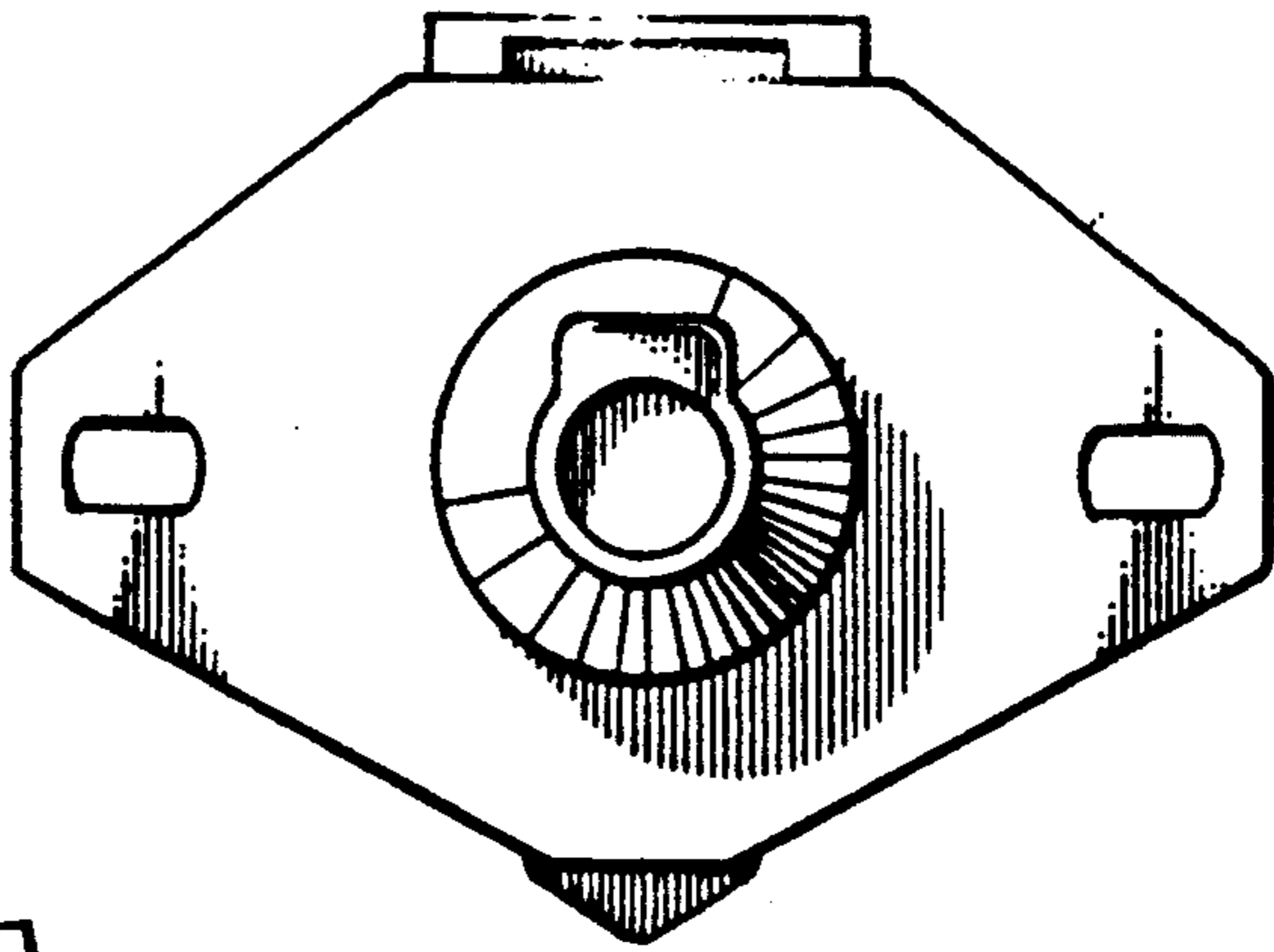


FIG. 2

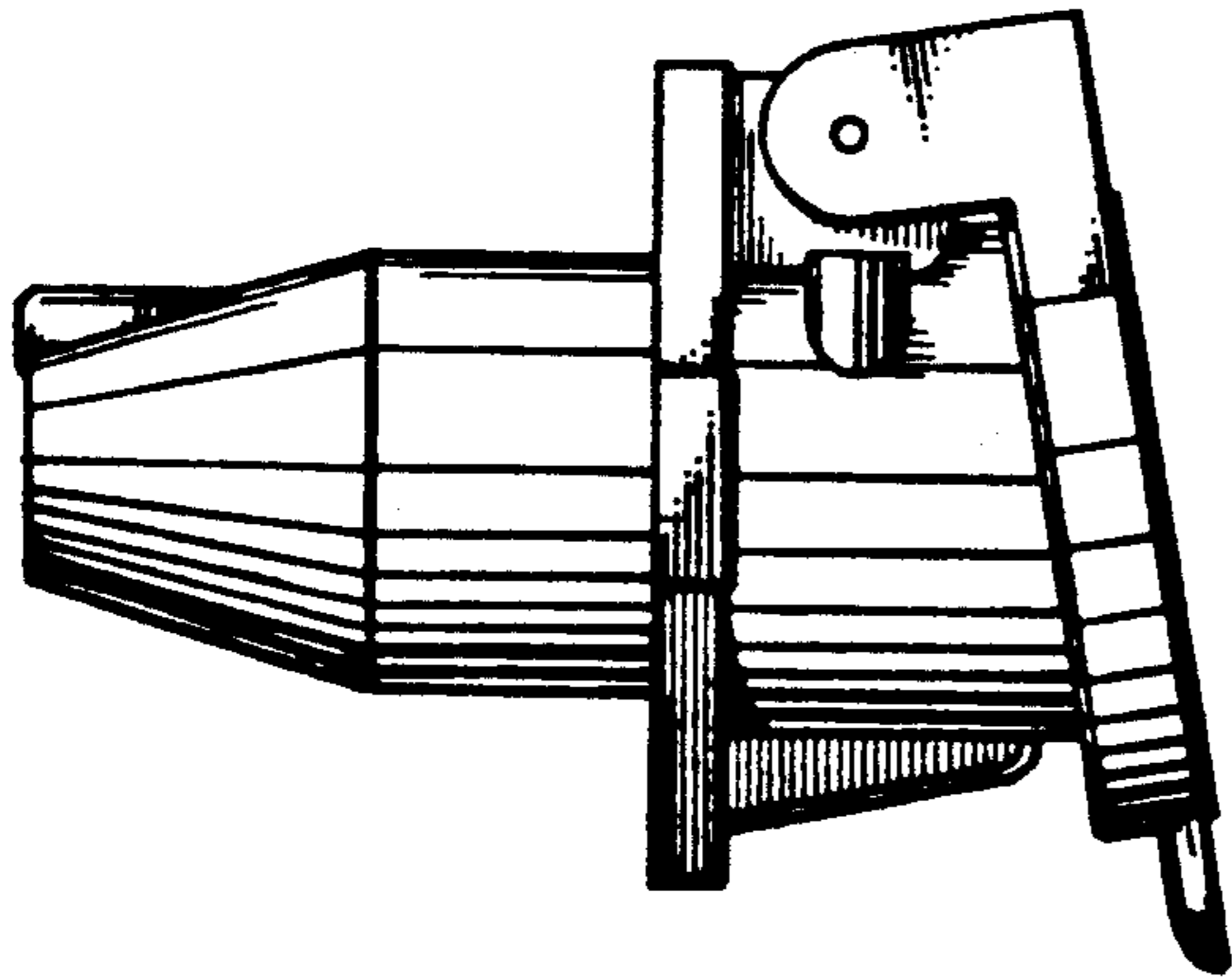


FIG. 3

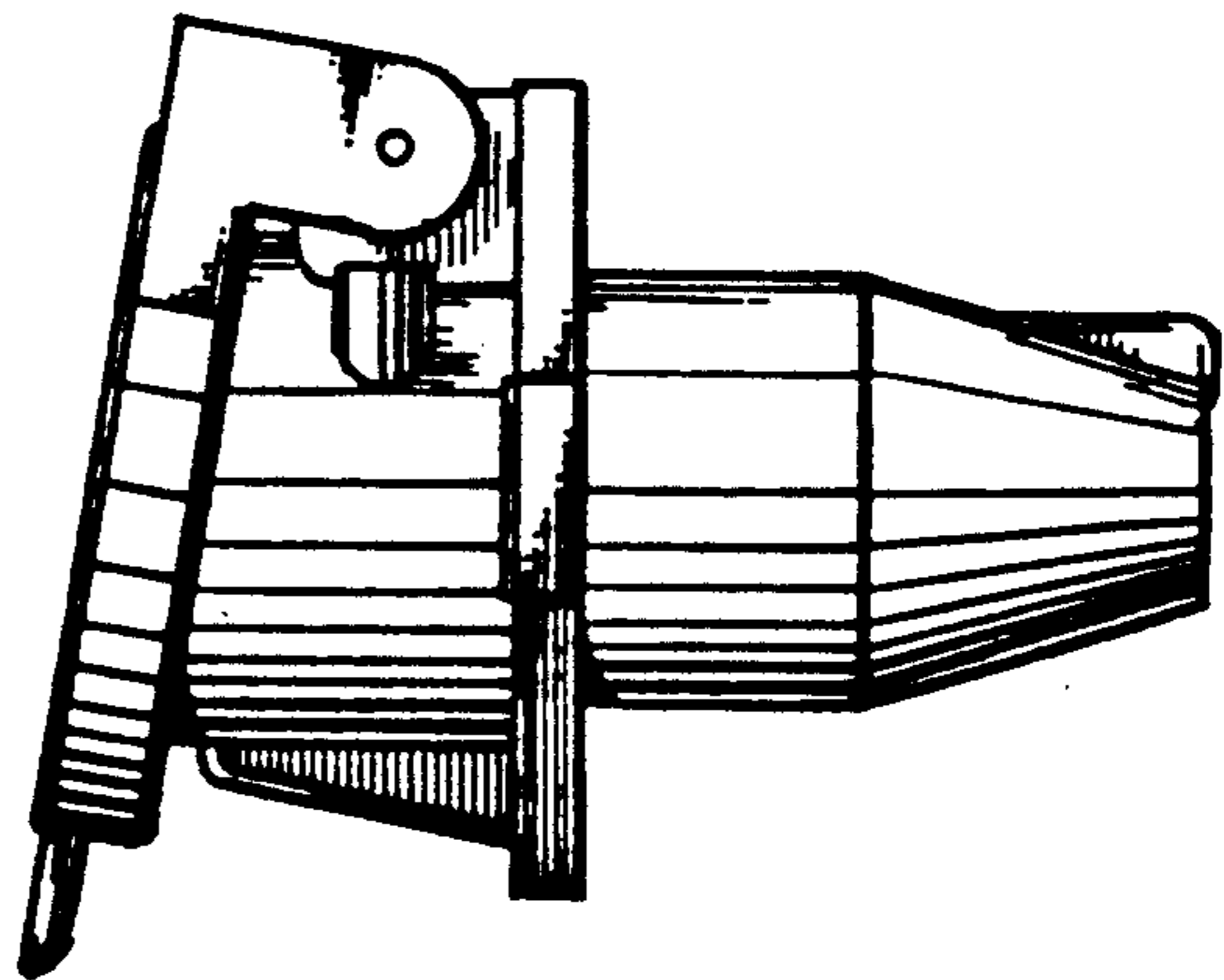


FIG. 4

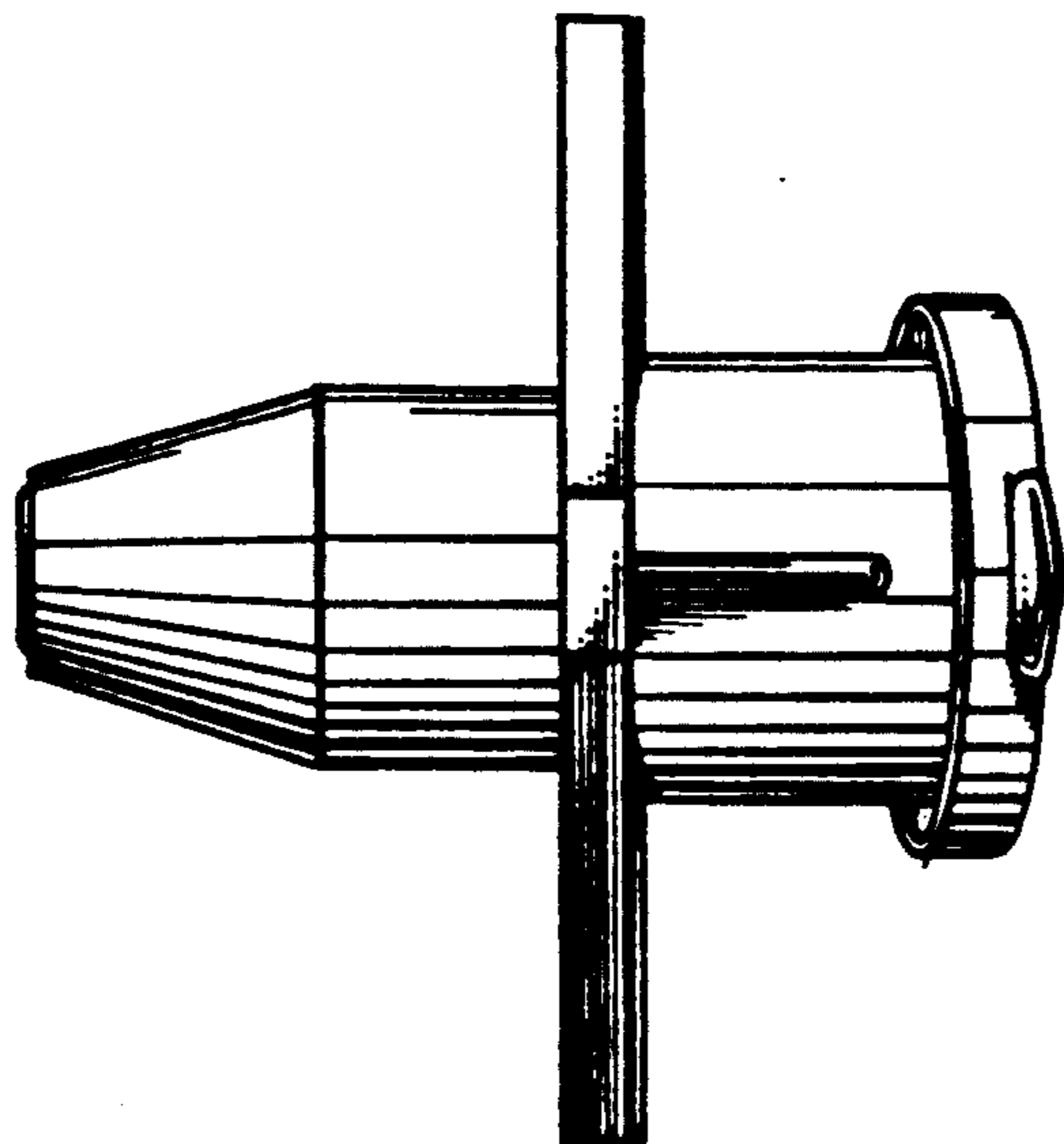


FIG. 5

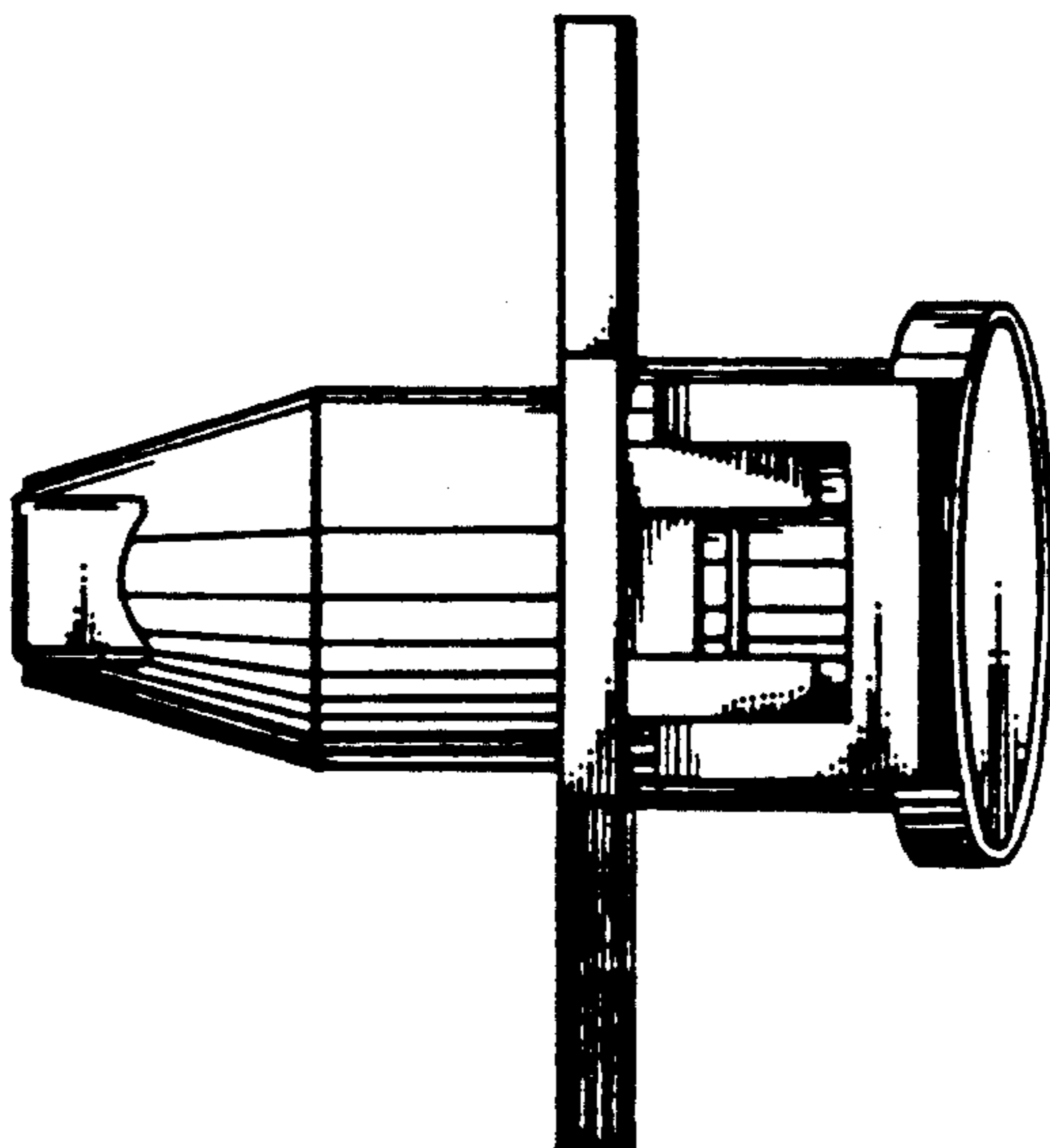


FIG. 6

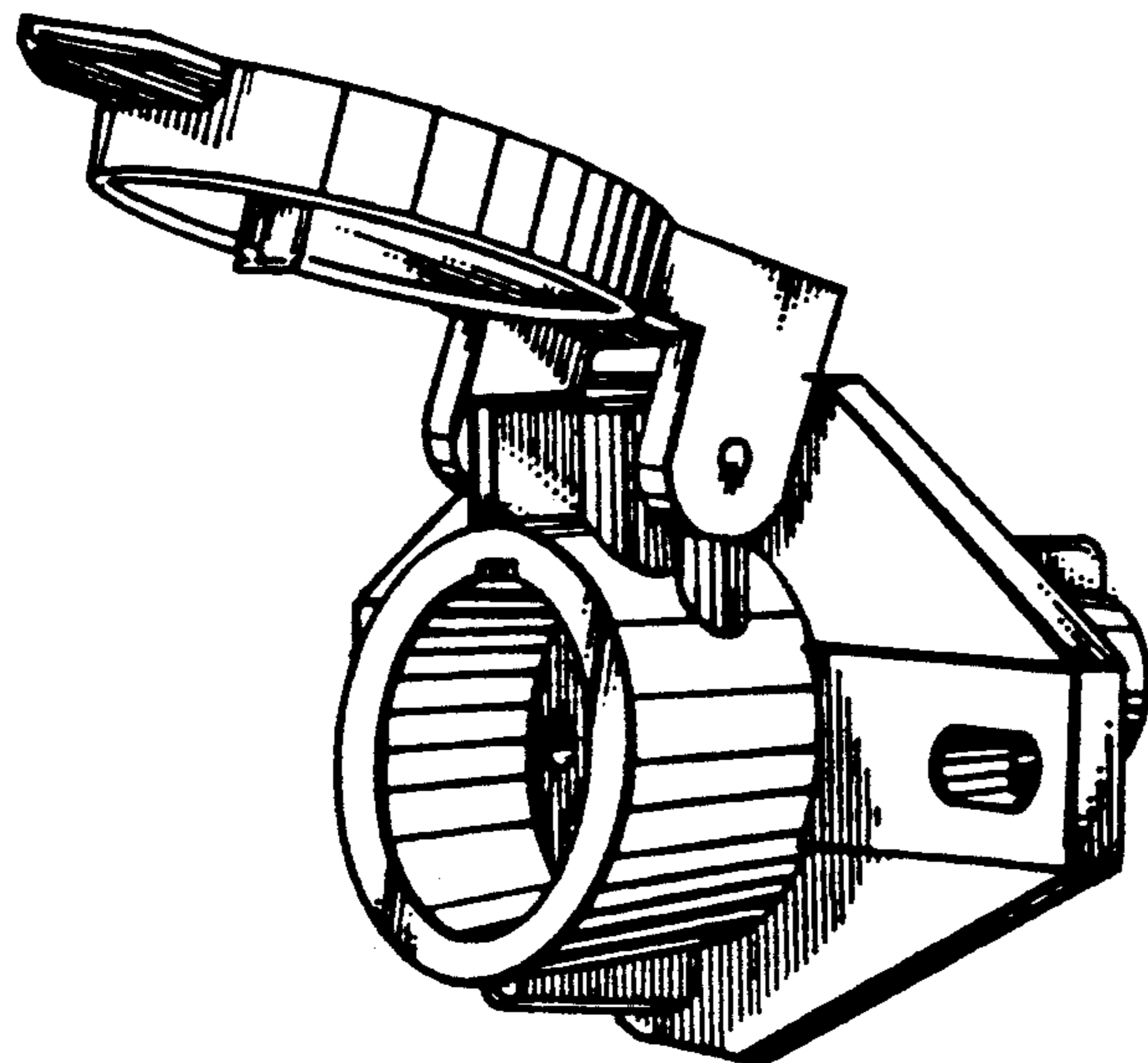


FIG. 7