



US00D344488S

United States Patent [19]
Fisscher

[11] **Patent Number: Des. 344,488**

[45] **Date of Patent: ** Feb. 22, 1994**

[54] **BOAT COVER SUPPORT**

[75] **Inventor: Brahm Fisscher, Atlanta, Ga.**

[73] **Assignee: L. S. Brown Co., Atlanta, Ga.**

[**] **Term: 14 Years**

[21] **Appl. No.: 881,823**

[22] **Filed: May 12, 1992**

[52] **U.S. Cl. D12/318; D12/317**

[58] **Field of Search 114/361, 343, 364, 351;
D12/317, 318**

[56] **References Cited**

U.S. PATENT DOCUMENTS

D. 311,169 10/1990 Hoese D12/318
2,817,345 12/1957 Woodruff, Sr. 114/361

3,106,931 10/1963 Cooper 114/361
5,009,184 4/1991 Voldrich 114/361

Primary Examiner—Kay H. Chin
Attorney, Agent, or Firm—Rodgers & Rodgers

[57] **CLAIM**

The ornamental design for a boat cover support, as shown and described.

DESCRIPTION

FIG. 1 is a perspective view of a boat cover support showing my new design;
FIG. 2 is a top plan view thereof;
FIG. 3 is a right side elevation thereof, the opposite side being a mirror image;
FIG. 4 is a front elevation thereof, the opposite side being a mirror image; and,
FIG. 5 is a bottom plan view thereof.

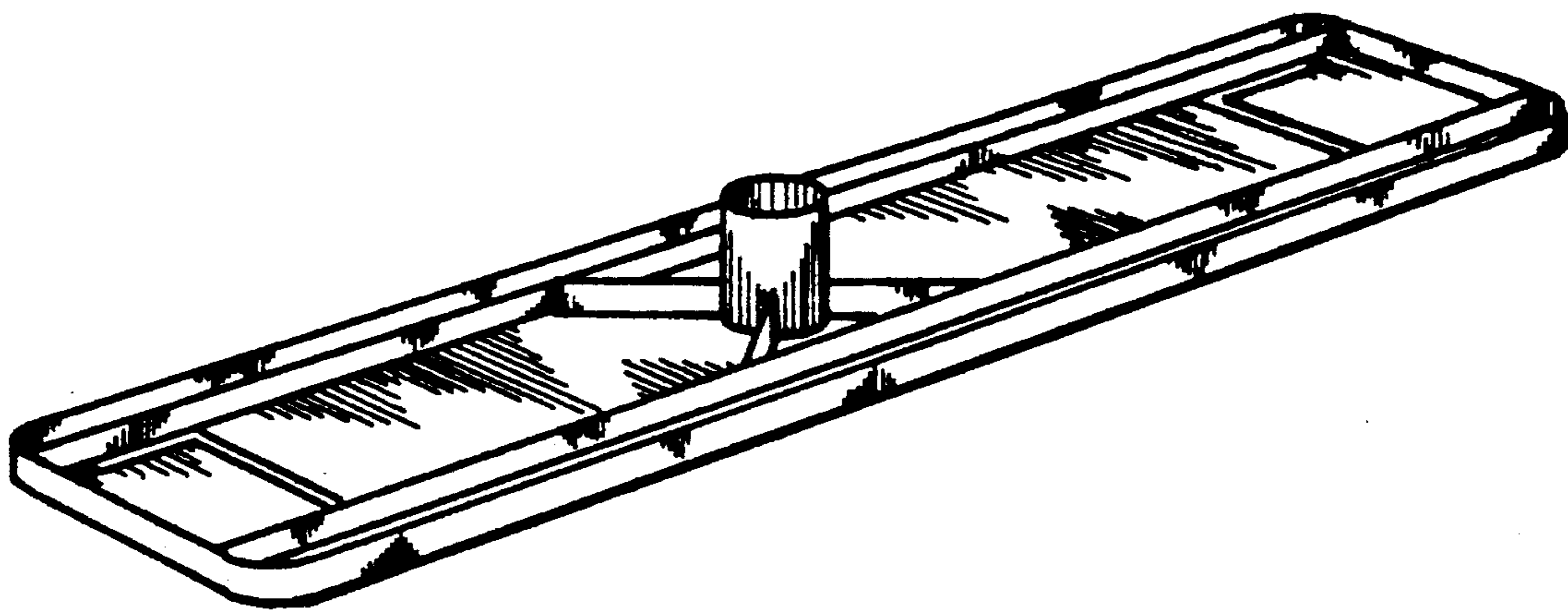


FIG. 1

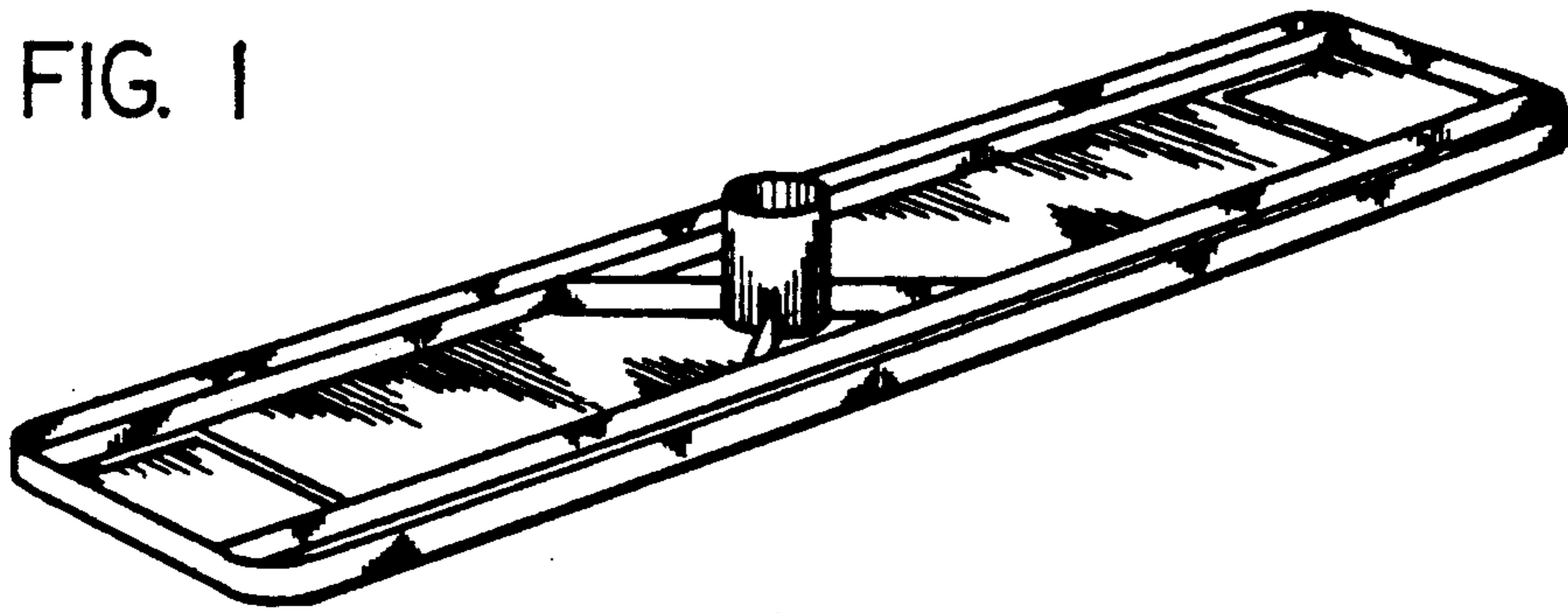


FIG. 2

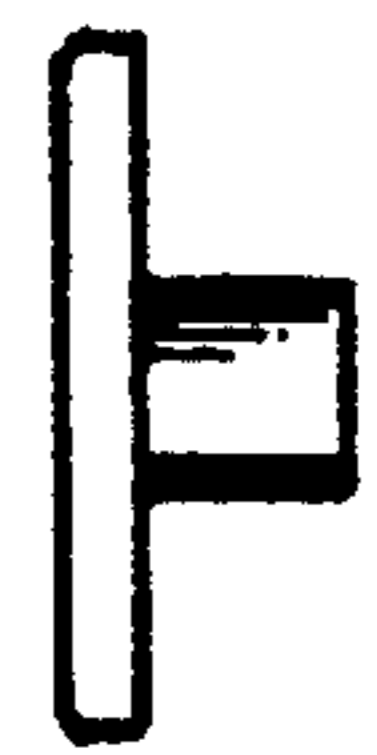


FIG. 3



FIG. 4

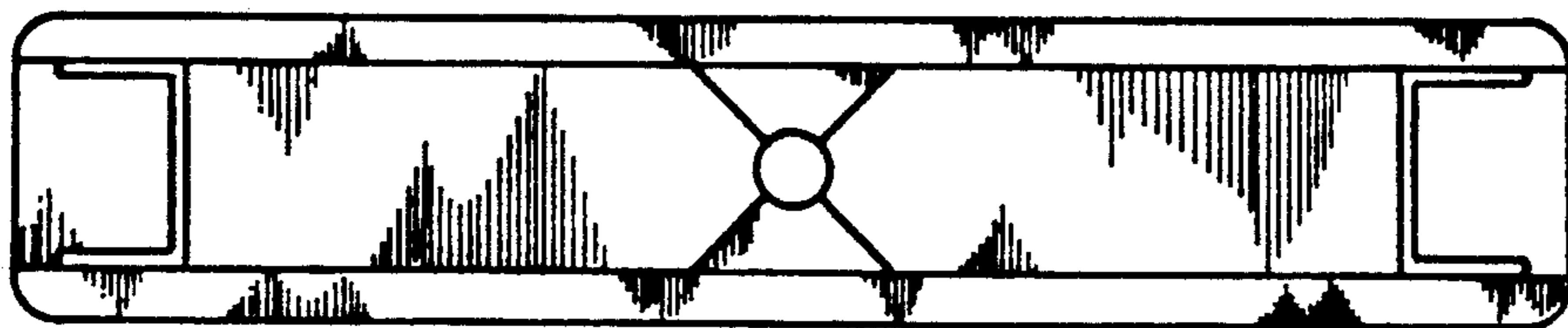


FIG. 5