



US00D344484S

United States Patent [19]
Allen

[11] **Patent Number: Des. 344,484**

[45] **Date of Patent: ** Feb. 22, 1994**

[54] **STEERING WHEEL ASSEMBLY WITH COMMUNICATION KEYBOARD**

[76] **Inventor: Dillis V. Allen, 1080 Nerge Rd., Ste. 205, Elk Grove Village, Ill. 60007**

[**] **Term: 14 Years**

[21] **Appl. No.: 702,713**

[22] **Filed: May 20, 1991**

[52] **U.S. Cl. D12/176**

[58] **Field of Search 74/552, 484 R; D12/175, D12/176**

[56] **References Cited**

U.S. PATENT DOCUMENTS

- 4,625,578 12/1986 Hishijima 74/552
- 4,655,308 4/1987 Kraus et al. 74/552
- 4,946,194 8/1990 Maeda et al. 74/552

FOREIGN PATENT DOCUMENTS

- 3018247 11/1981 Fed. Rep. of Germany 74/484 R
- 171381 7/1990 Japan 74/552

Primary Examiner—James M. Gandy

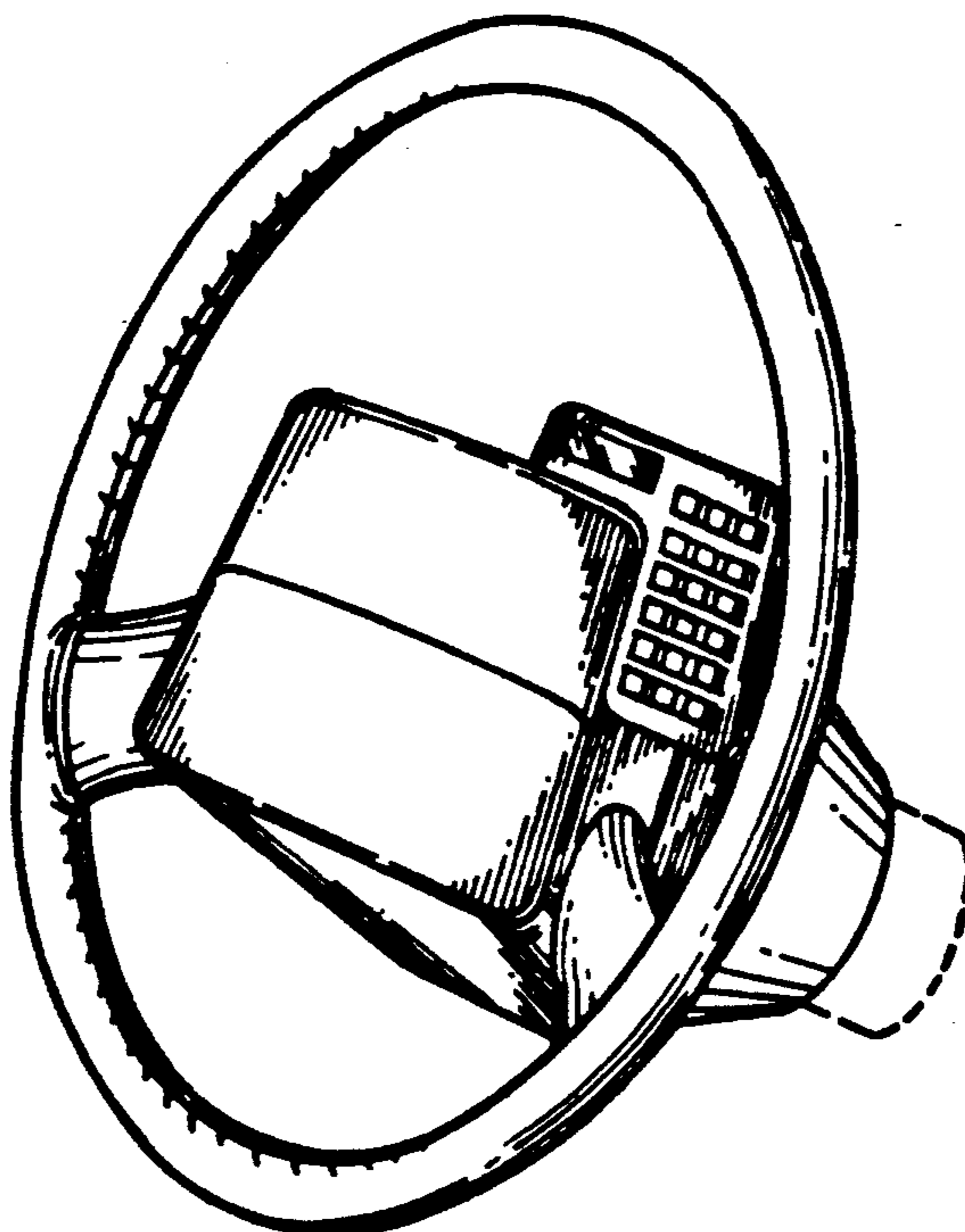
[57] **CLAIM**

The ornamental design for a steering wheel assembly with communication keyboard, as shown and described.

DESCRIPTION

FIG. 1 is a perspective view;
 FIG. 2 is a right side view;
 FIG. 3 is a left side view;
 FIG. 4 is a rear view;
 FIG. 5 is a bottom view;
 FIG. 6 is a top view;
 FIG. 7 is a perspective view of an alternate embodiment;
 FIG. 8 is a right side view of the alternate embodiment;
 FIG. 9 is a left side view of the alternate embodiment;
 FIG. 10 is a rear view of the alternate embodiment;
 FIG. 11 is a bottom view of the alternate embodiment;
 and,
 FIG. 12 is a top view of the alternate embodiment.

The outer rim of the steering wheel assembly is shown in section in FIGS. 2, 3, 8 and 9, and the right and left spokes thereof are omitted in FIGS. 2 and 8 and 3 and 9 of the drawing respectively for clarity of illustration. The broken line showing of a fragmentary portion of a steering column in the drawing is for illustrative purposes only and forms no part of the claimed design.



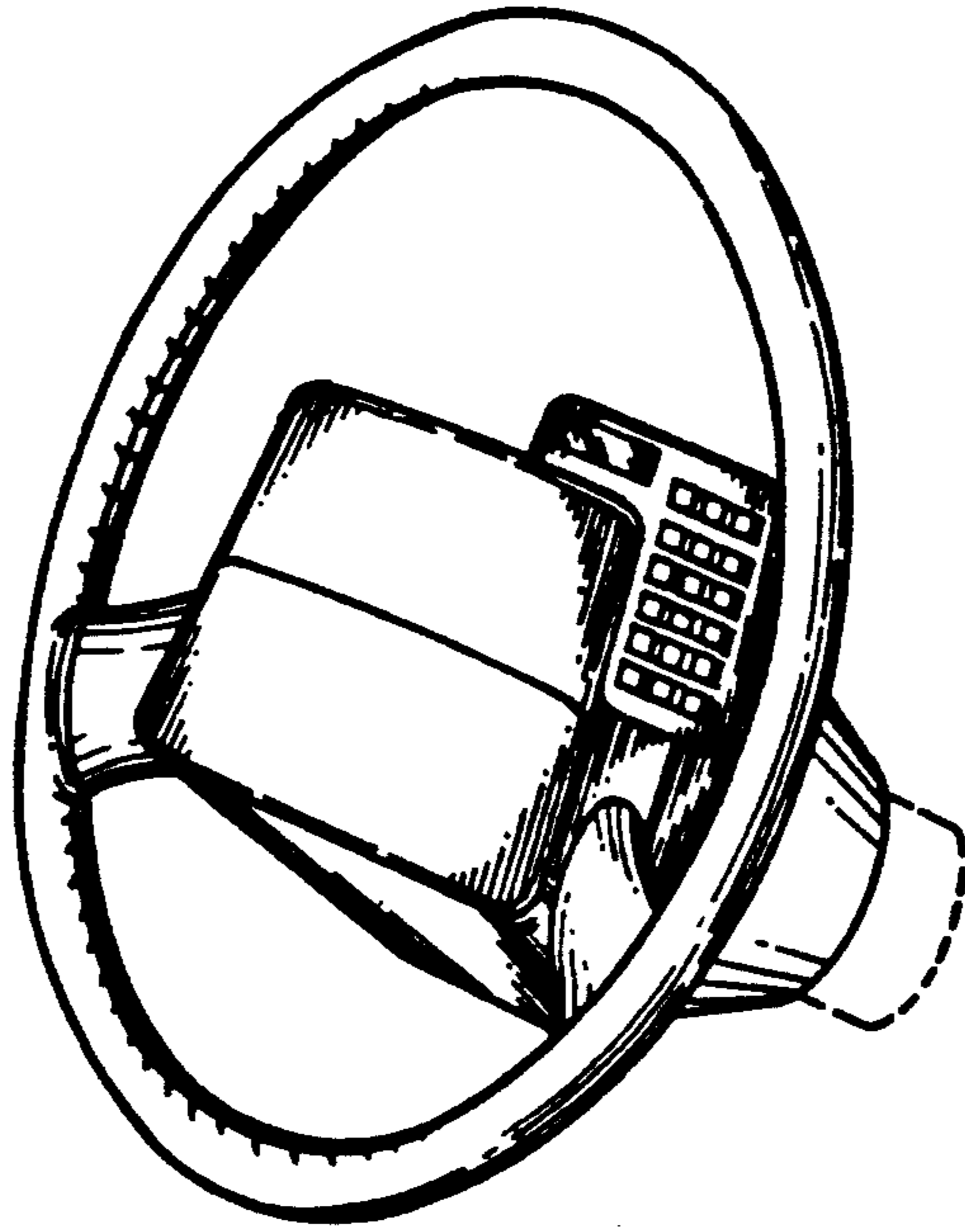


Fig. 1

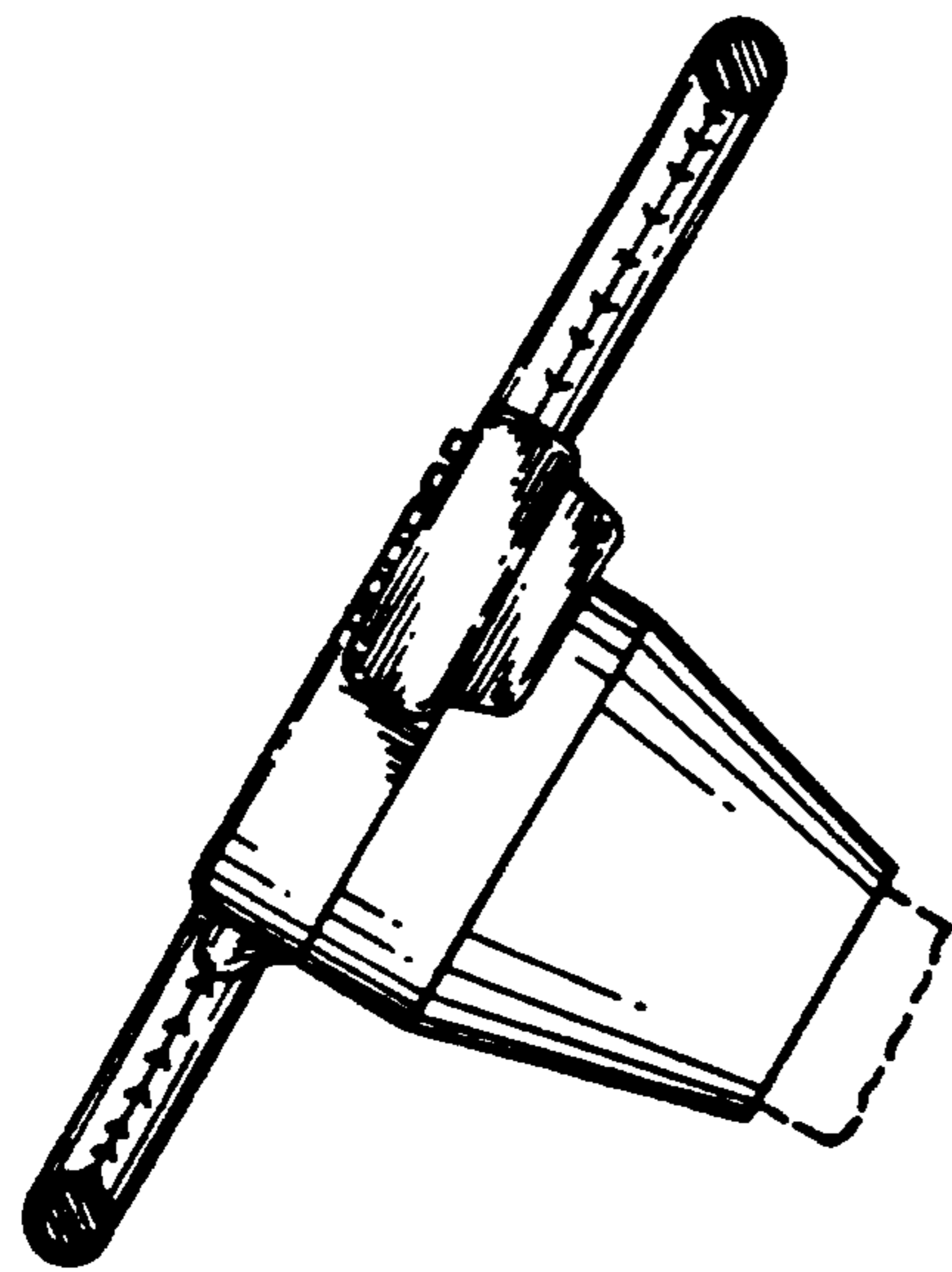


Fig. 2

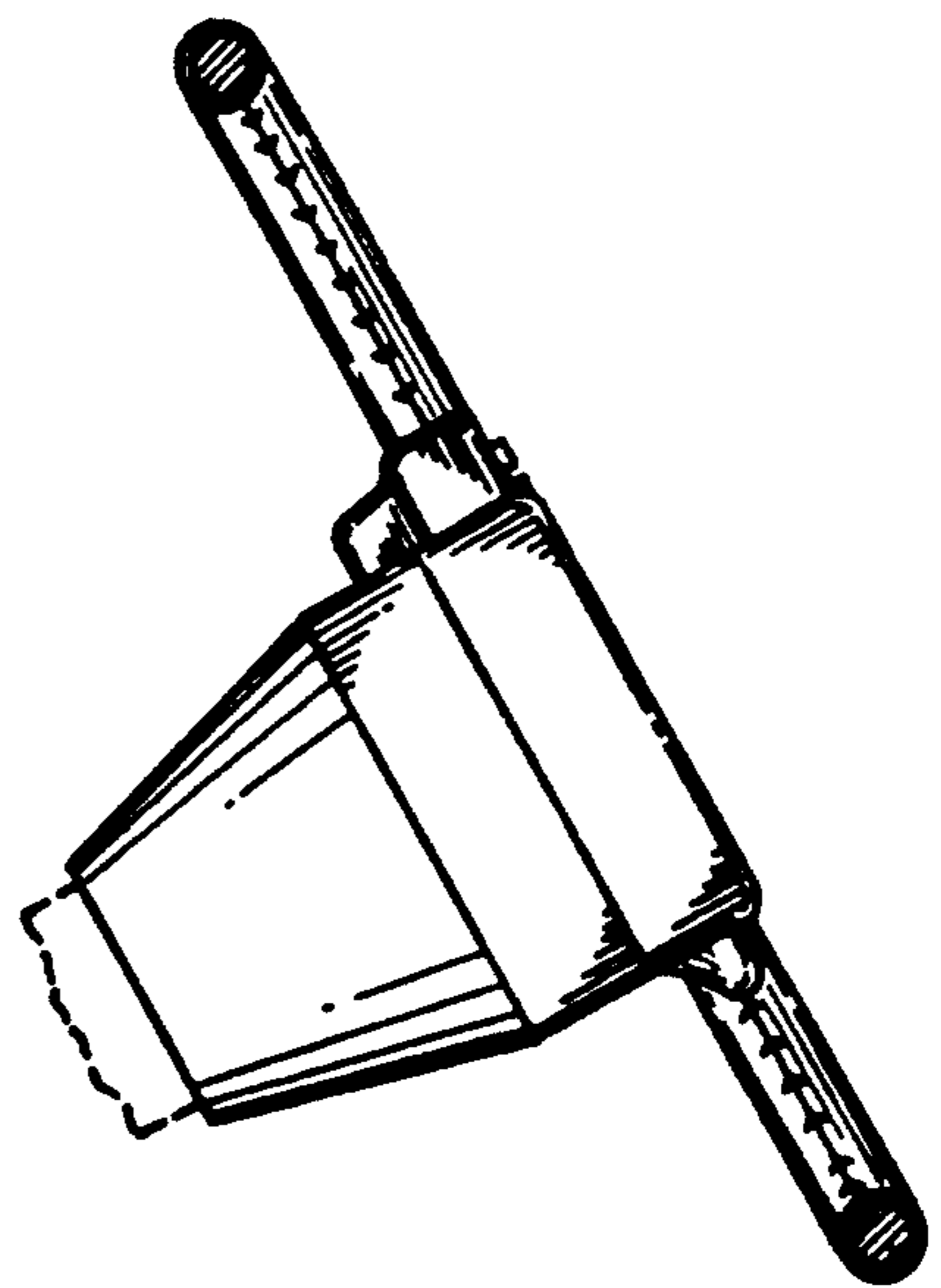


Fig. 3

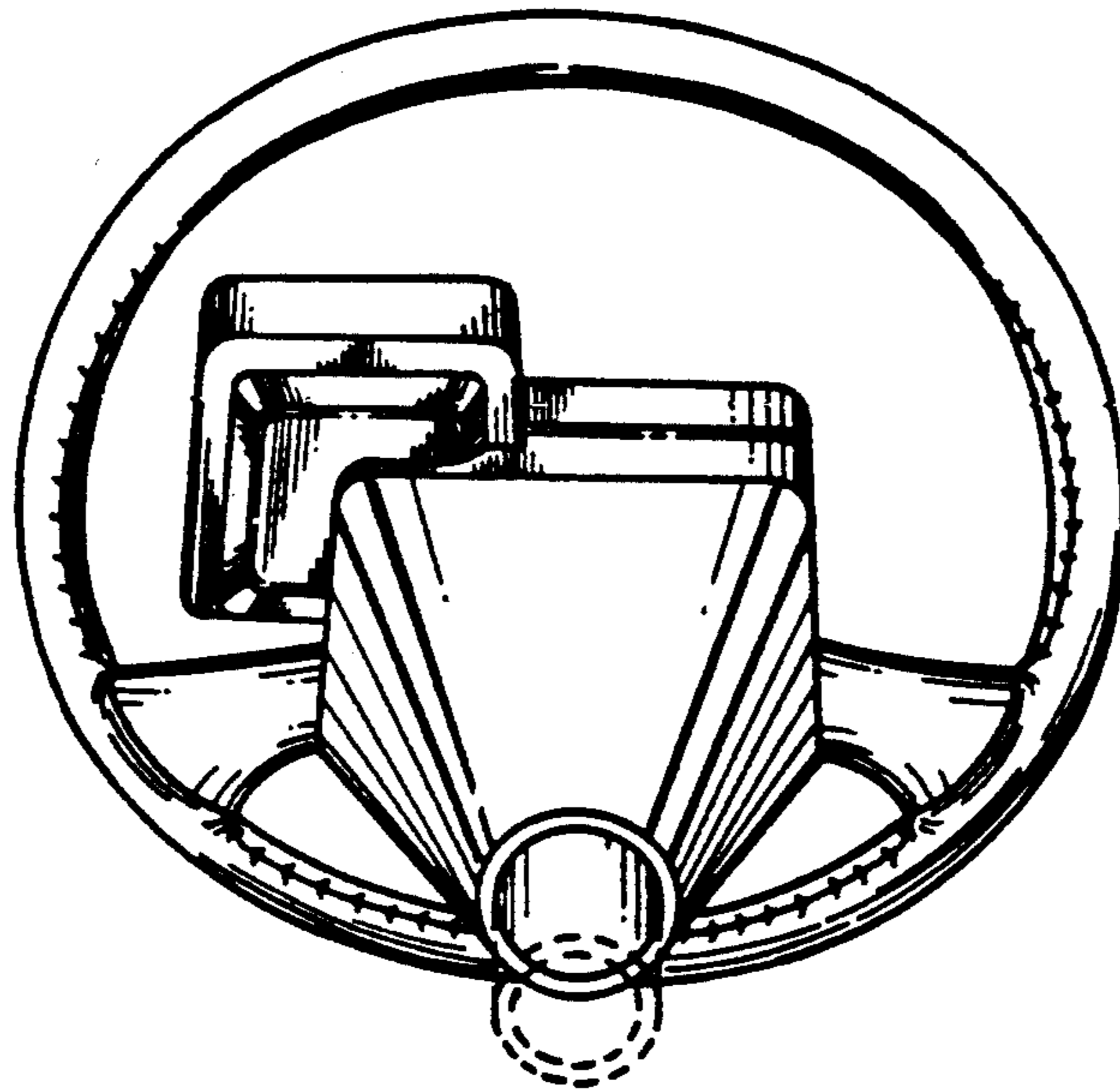


Fig. 4

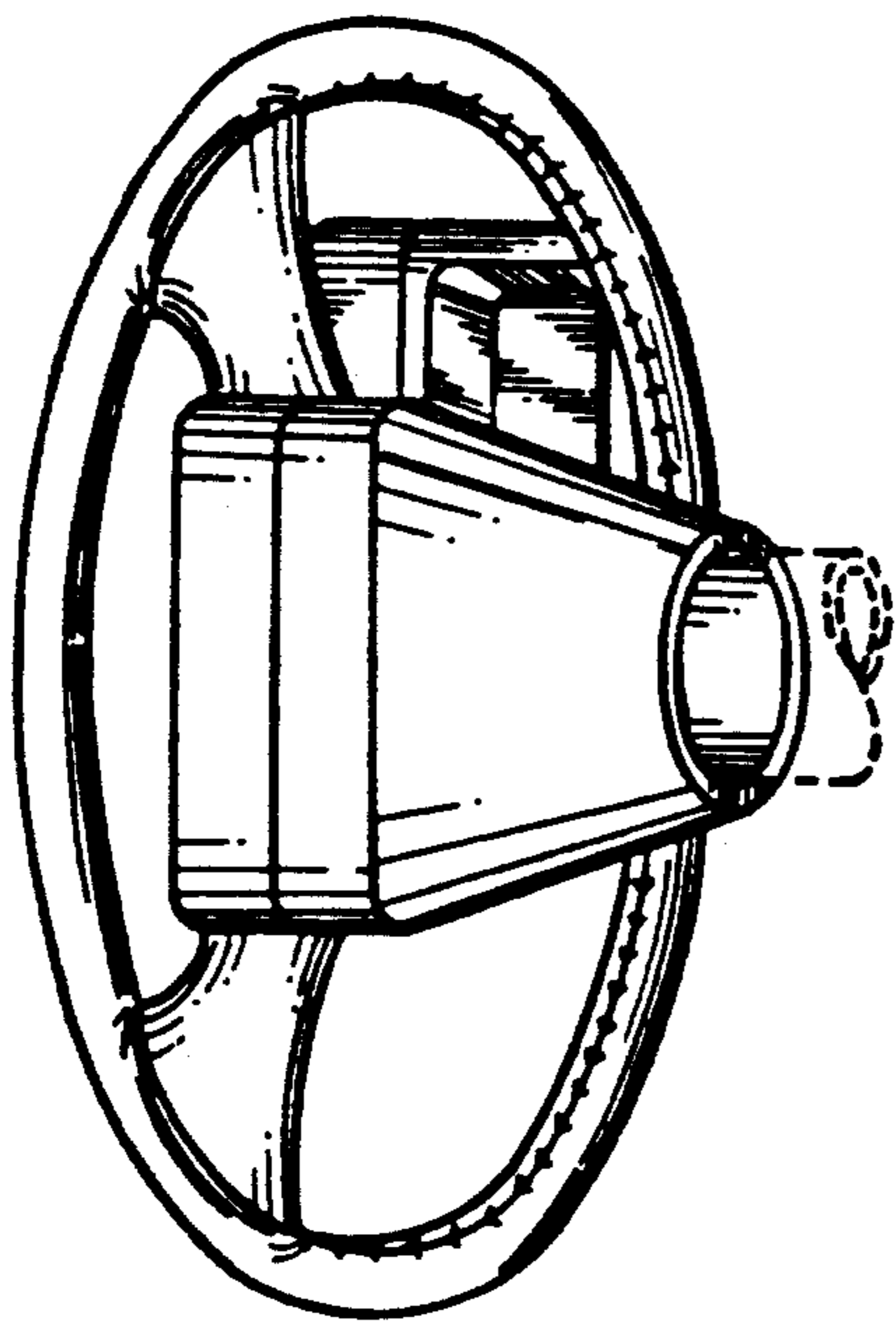


Fig. 5

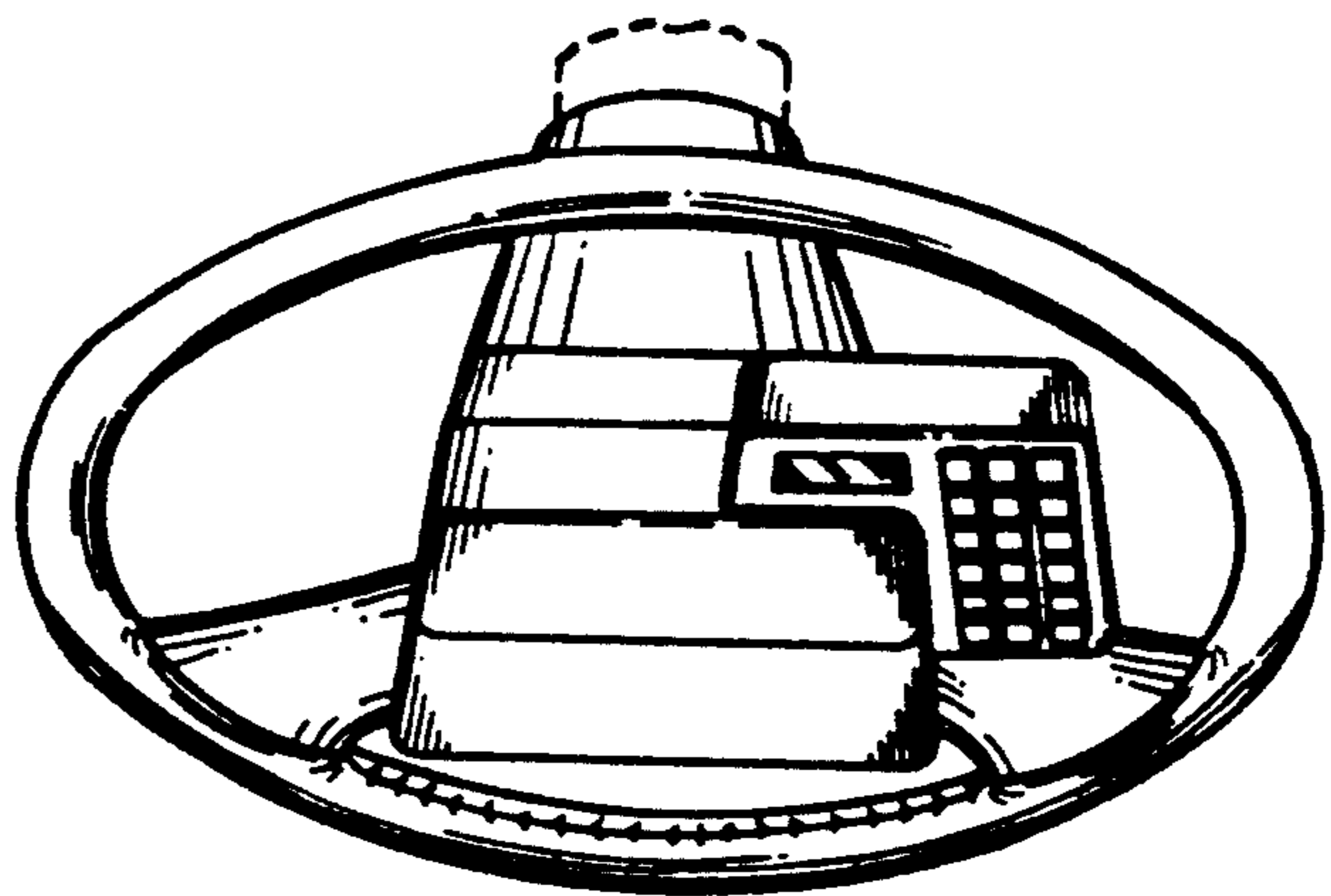


Fig. 6

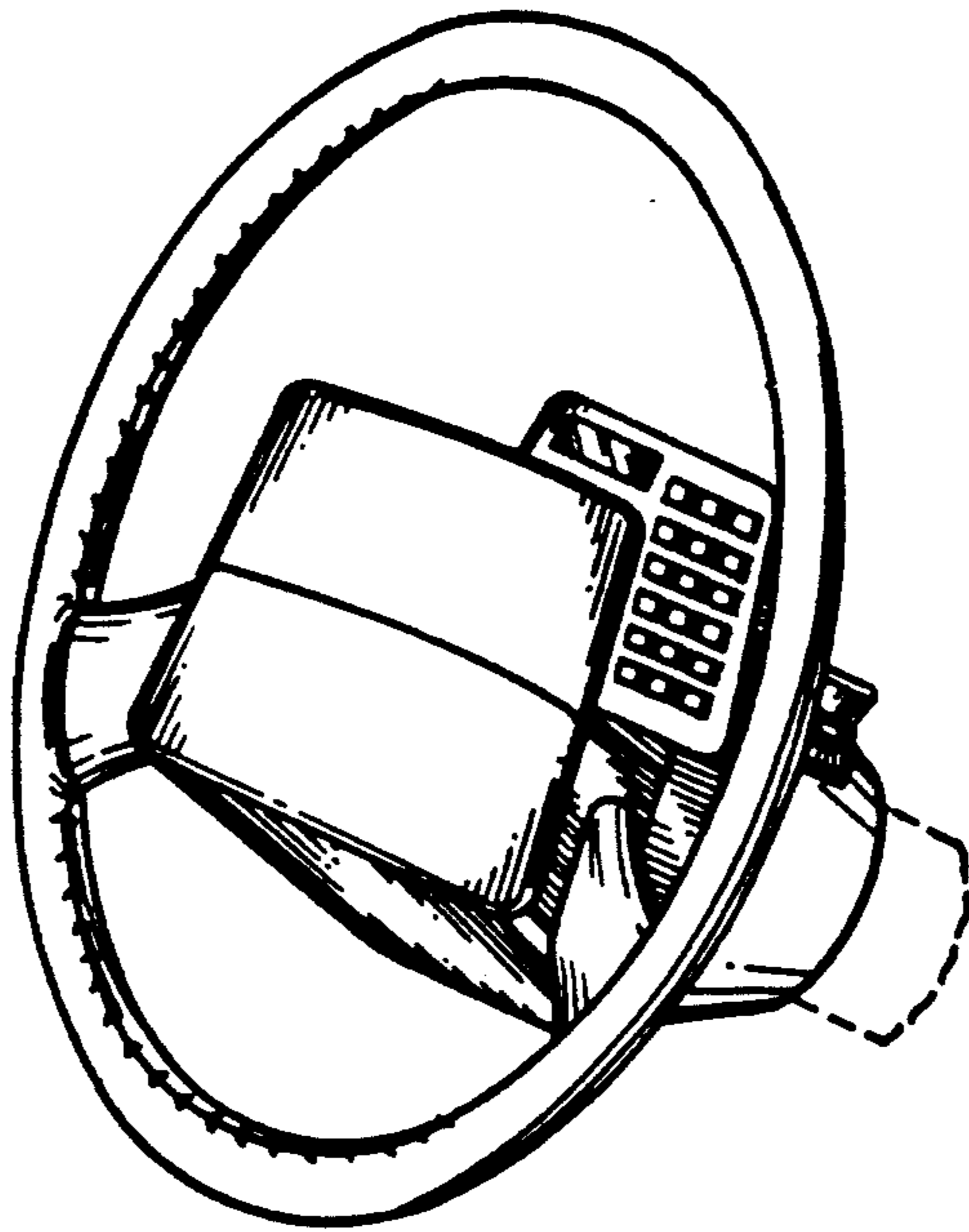


Fig. 7

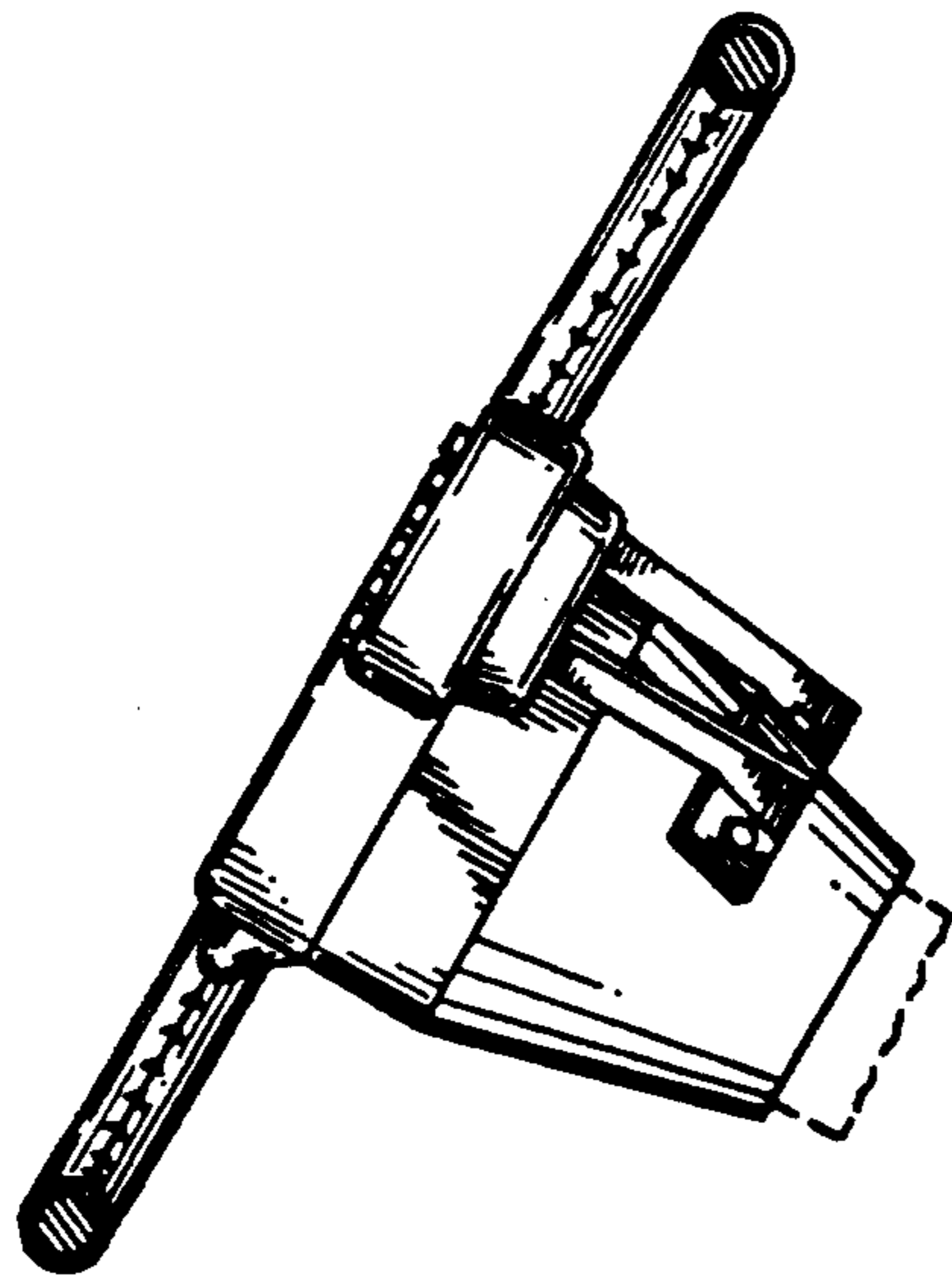


Fig. 8

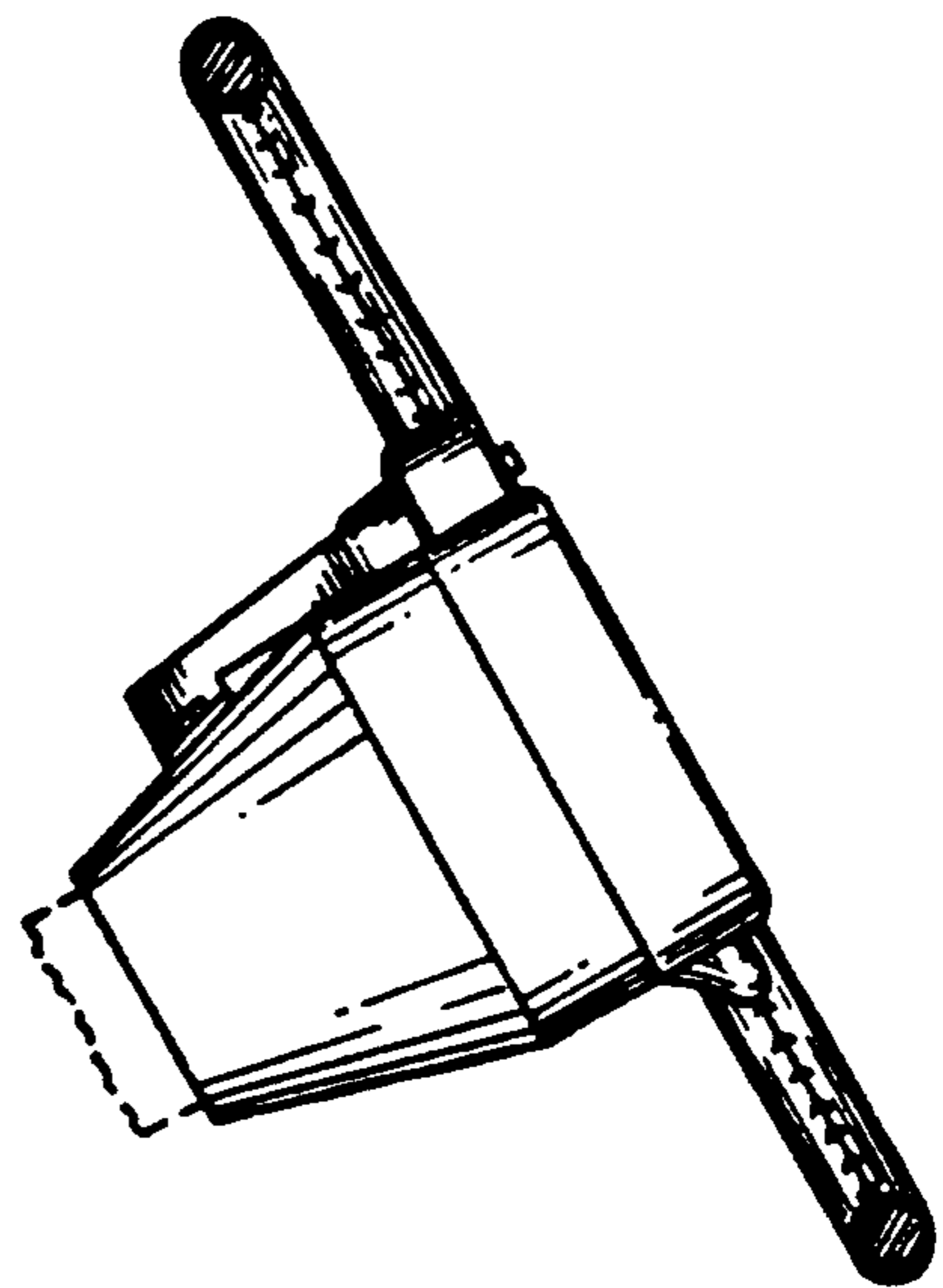


Fig. 9

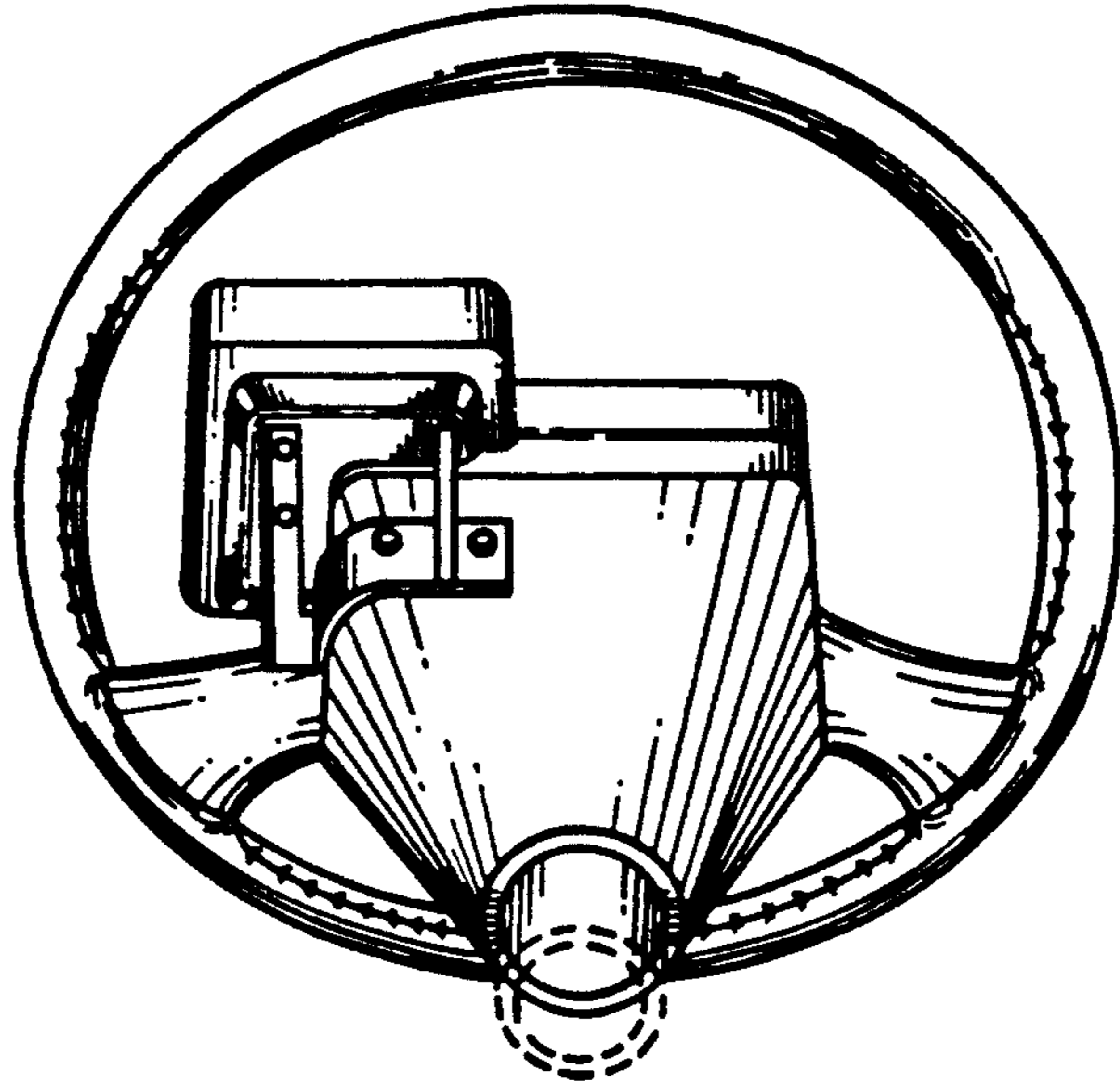


Fig. 10

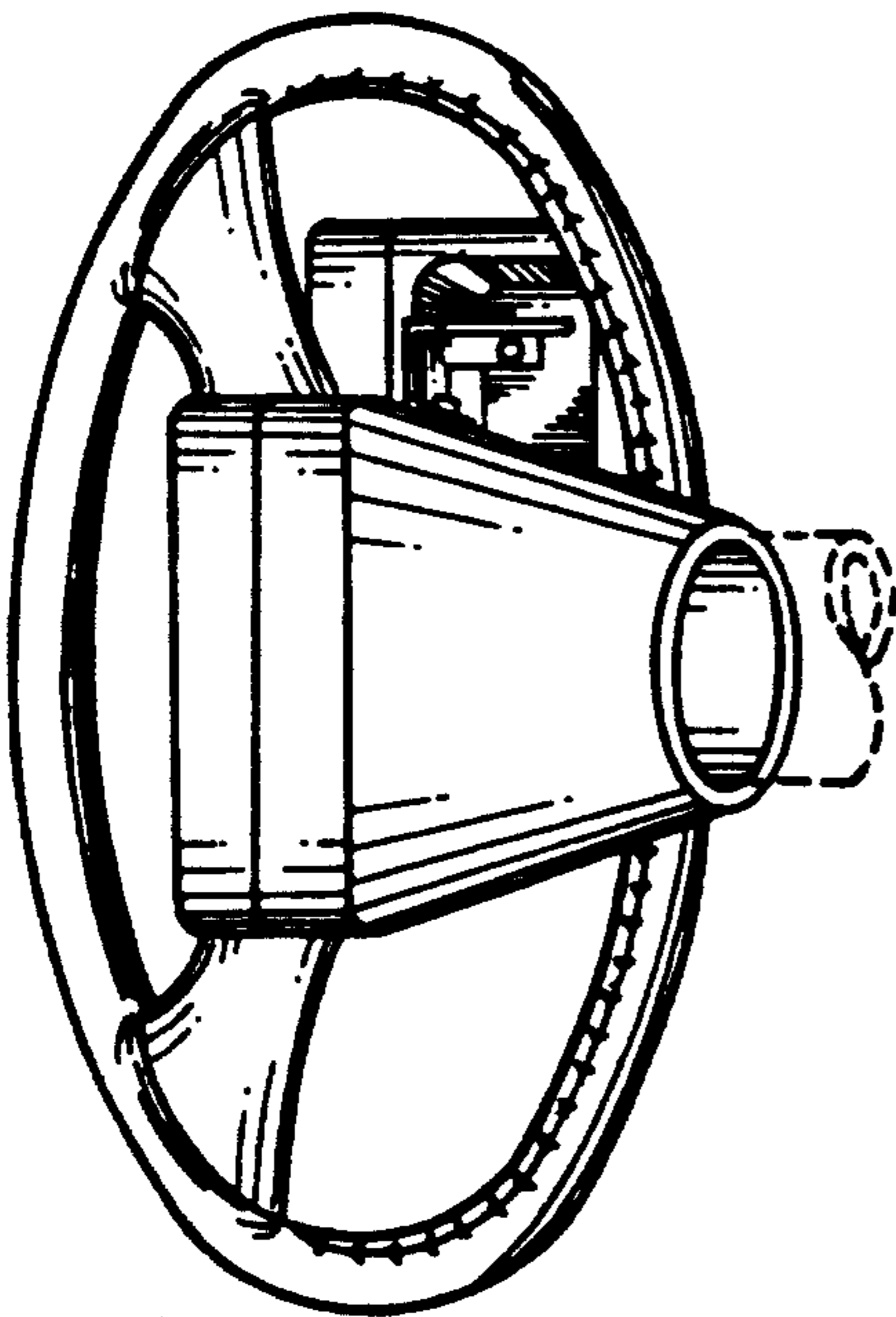


Fig. 11

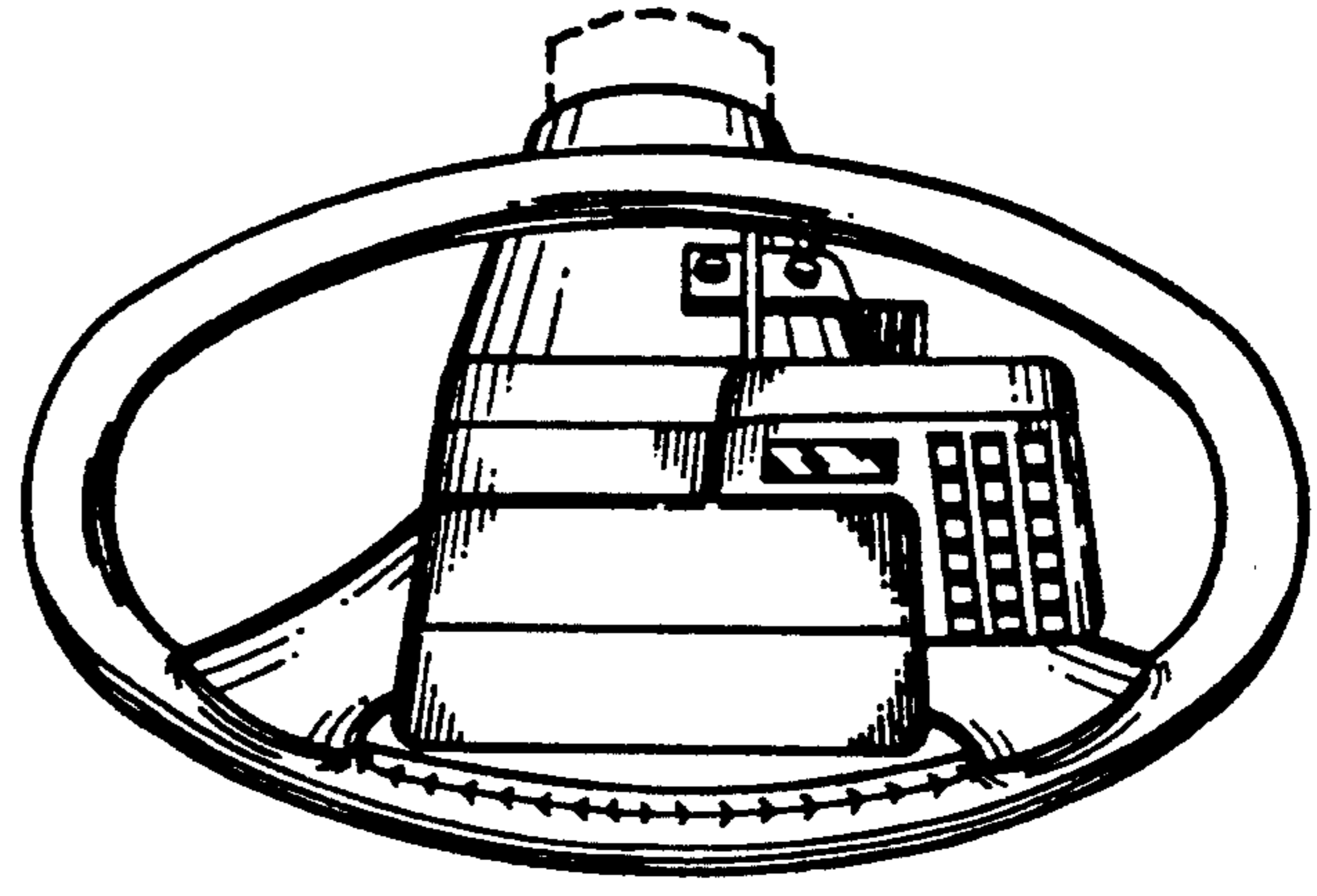


Fig. 12