



US00D344480S

United States Patent [19]
Hamilton

[11] **Patent Number: Des. 344,480**

[45] **Date of Patent: ** Feb. 22, 1994**

[54] **INTERIOR CARGO COVER FOR MOTOR VEHICLES**

D. 333,117 2/1993 Hamilton D12/155
D. 335,849 5/1993 Hamilton D12/155

[75] **Inventor: Thomas F. Hamilton, 1634 Ixias Ct., San Jose, Calif. 95124**

Primary Examiner—James M. Gandy

[73] **Assignee: Thomas F. Hamilton, San Jose, Calif.**

[57] **CLAIM**

[**] **Term: 14 Years**

The ornamental design for an interior cargo cover for motor vehicles, as shown and described.

[21] **Appl. No.: 2,145**

DESCRIPTION

[22] **Filed: Nov. 30, 1992**

FIG. 1 is a perspective view of an interior cargo cover for motor vehicles showing my new design;

[52] **U.S. Cl. D12/221**

FIG. 2 is a top plan view thereof;

[58] **Field of Search 296/39.1, 39.3; 280/770; D12/155**

FIG. 3 is a bottom plan view thereof;

FIG. 4 is a left side elevational view thereof;

FIG. 5 is a right elevational view thereof;

FIG. 6 is a front elevational view thereof; and,

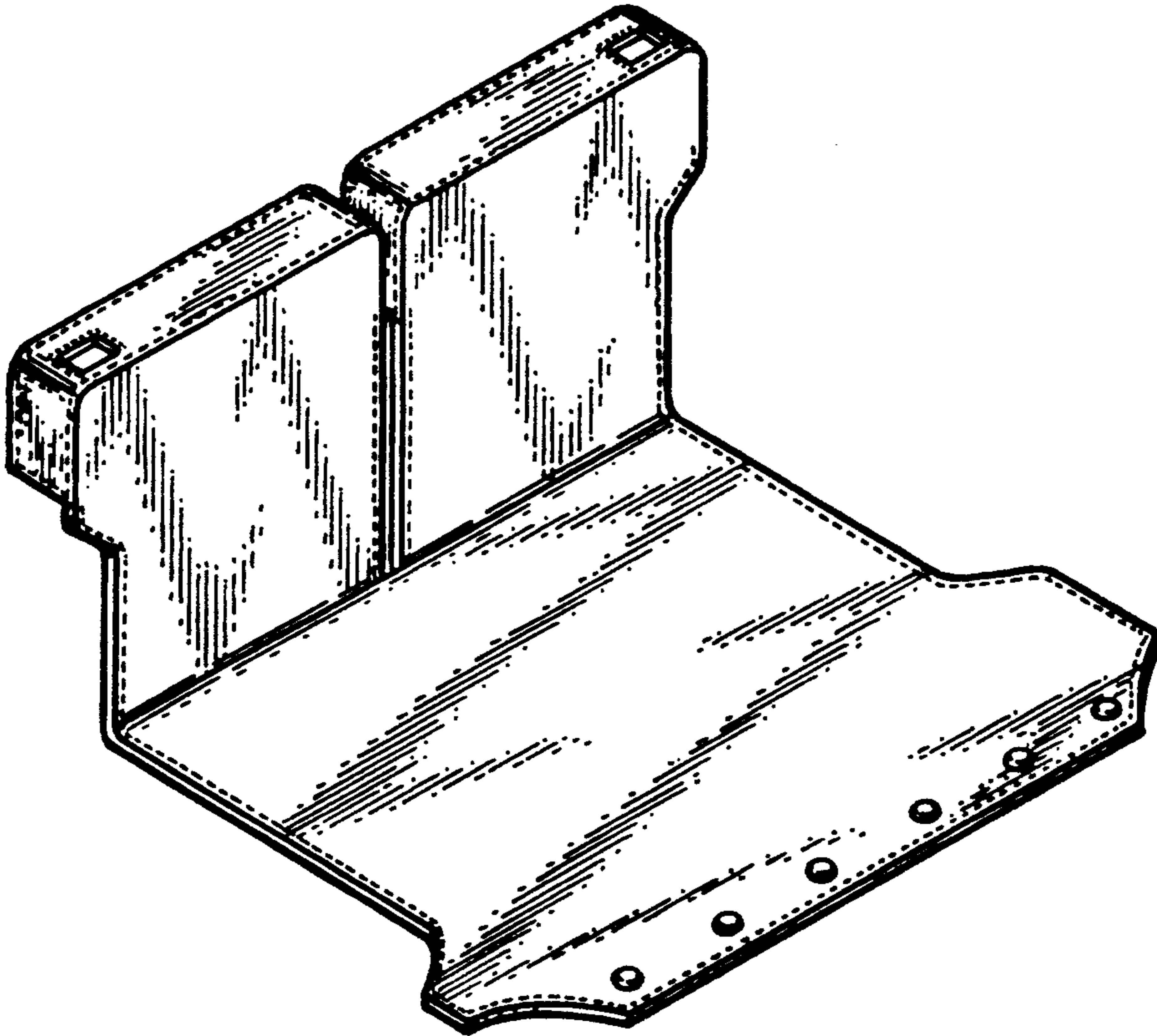
FIG. 7 is a back elevational view thereof.

The broken lines in the drawing are understood to represent stitching.

[56] **References Cited**

U.S. PATENT DOCUMENTS

D. 298,817 12/1988 Hamilton D12/155



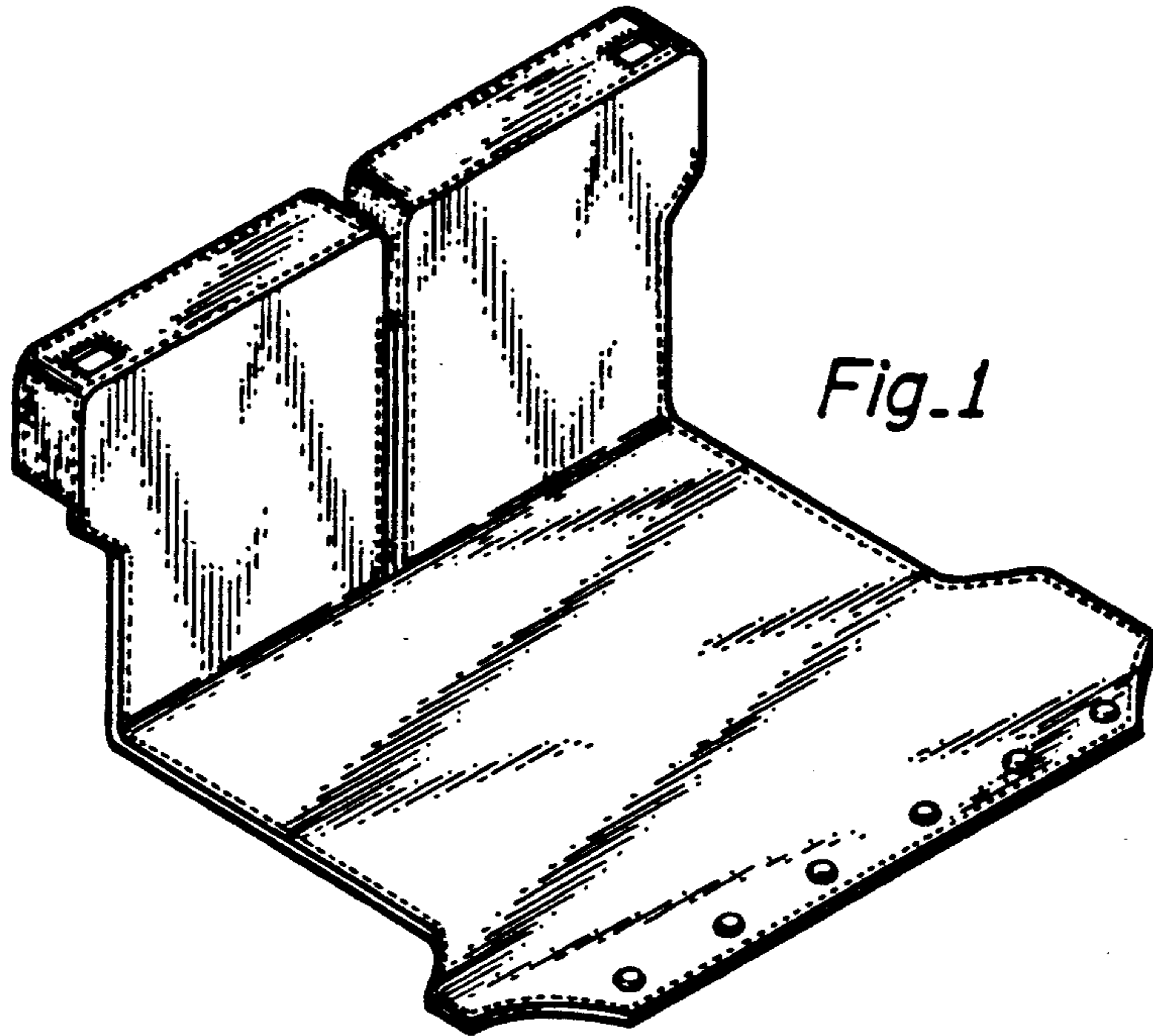


Fig. 1

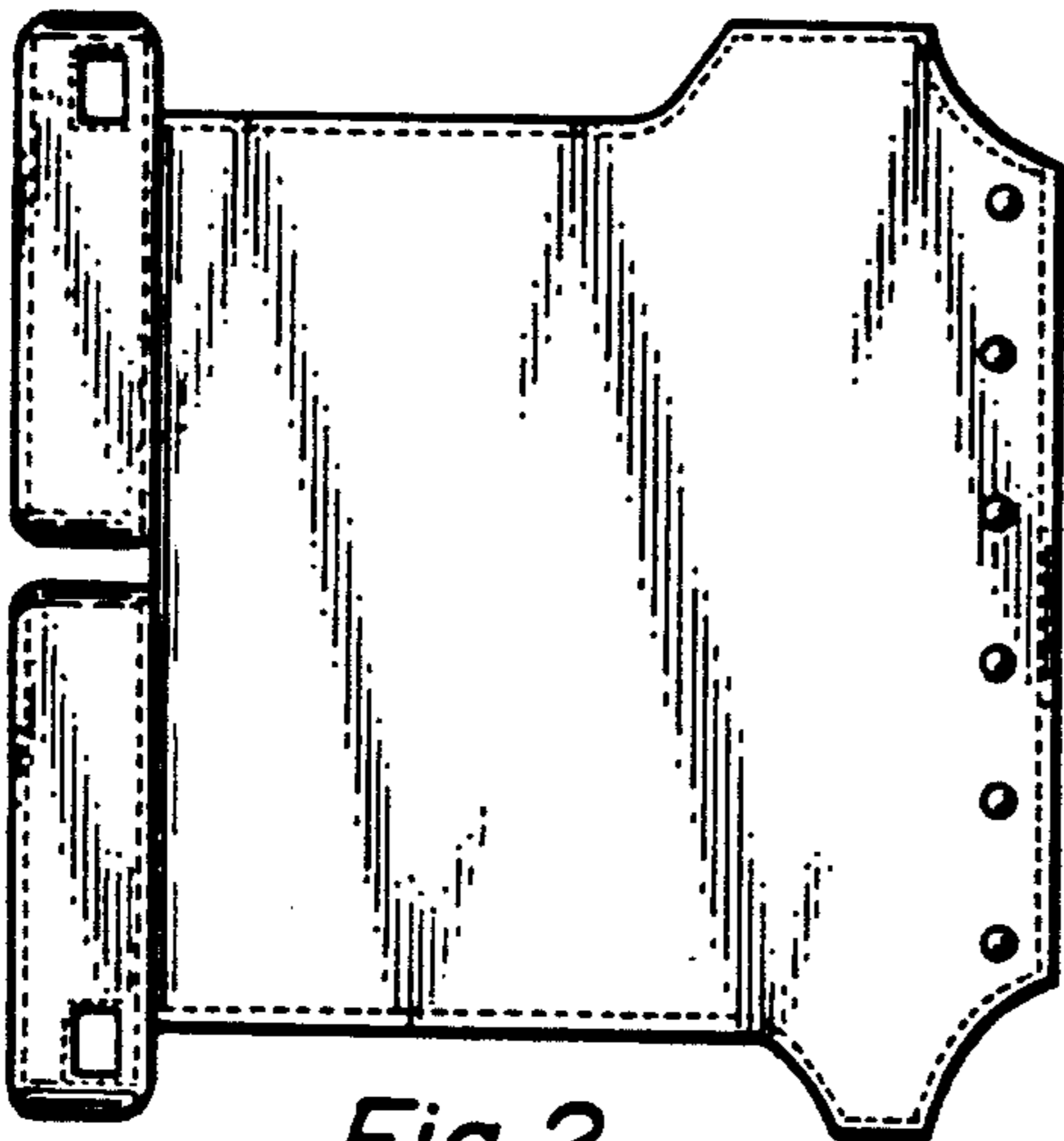


Fig. 2

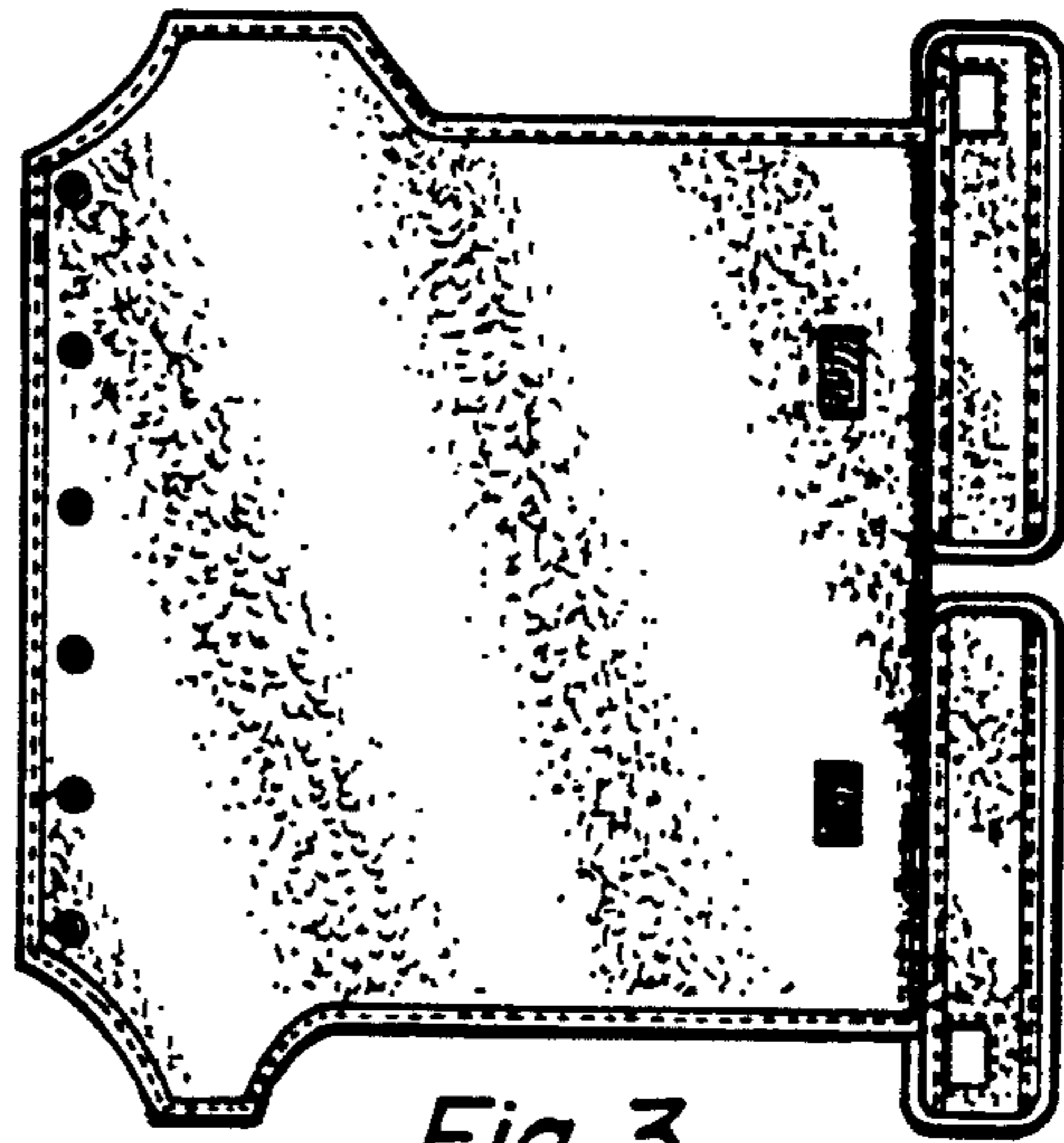


Fig. 3

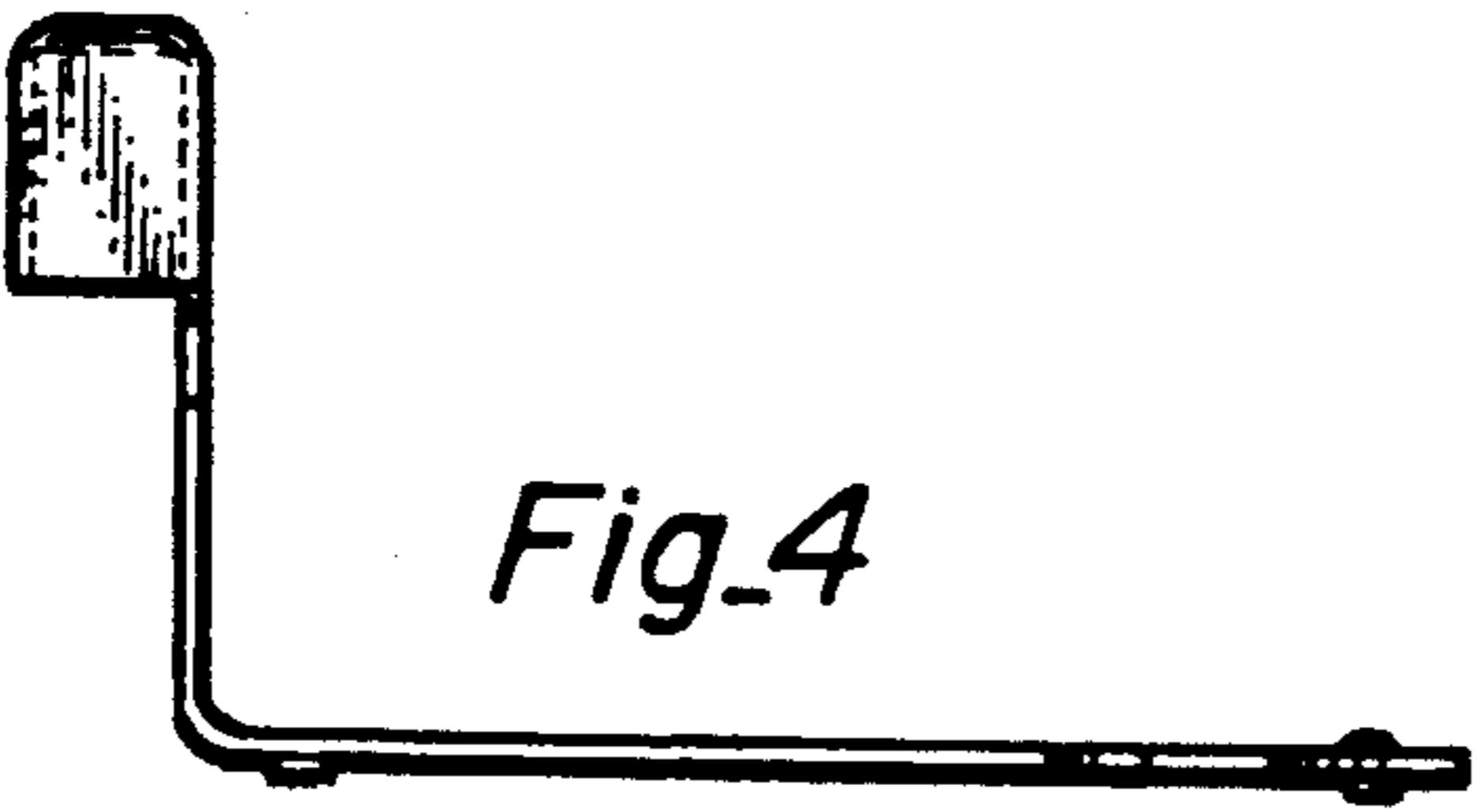


Fig. 4

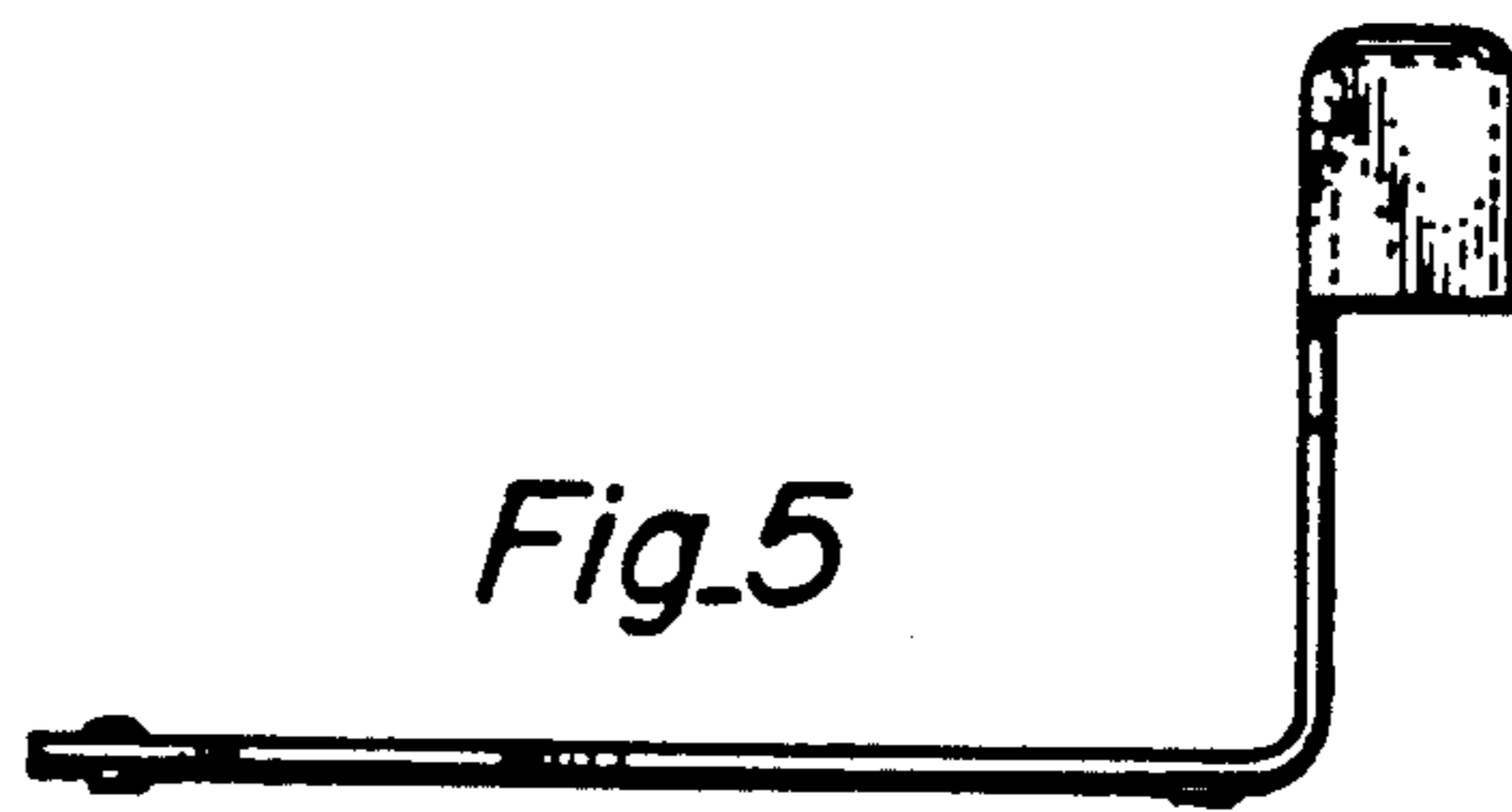


Fig. 5



Fig. 6

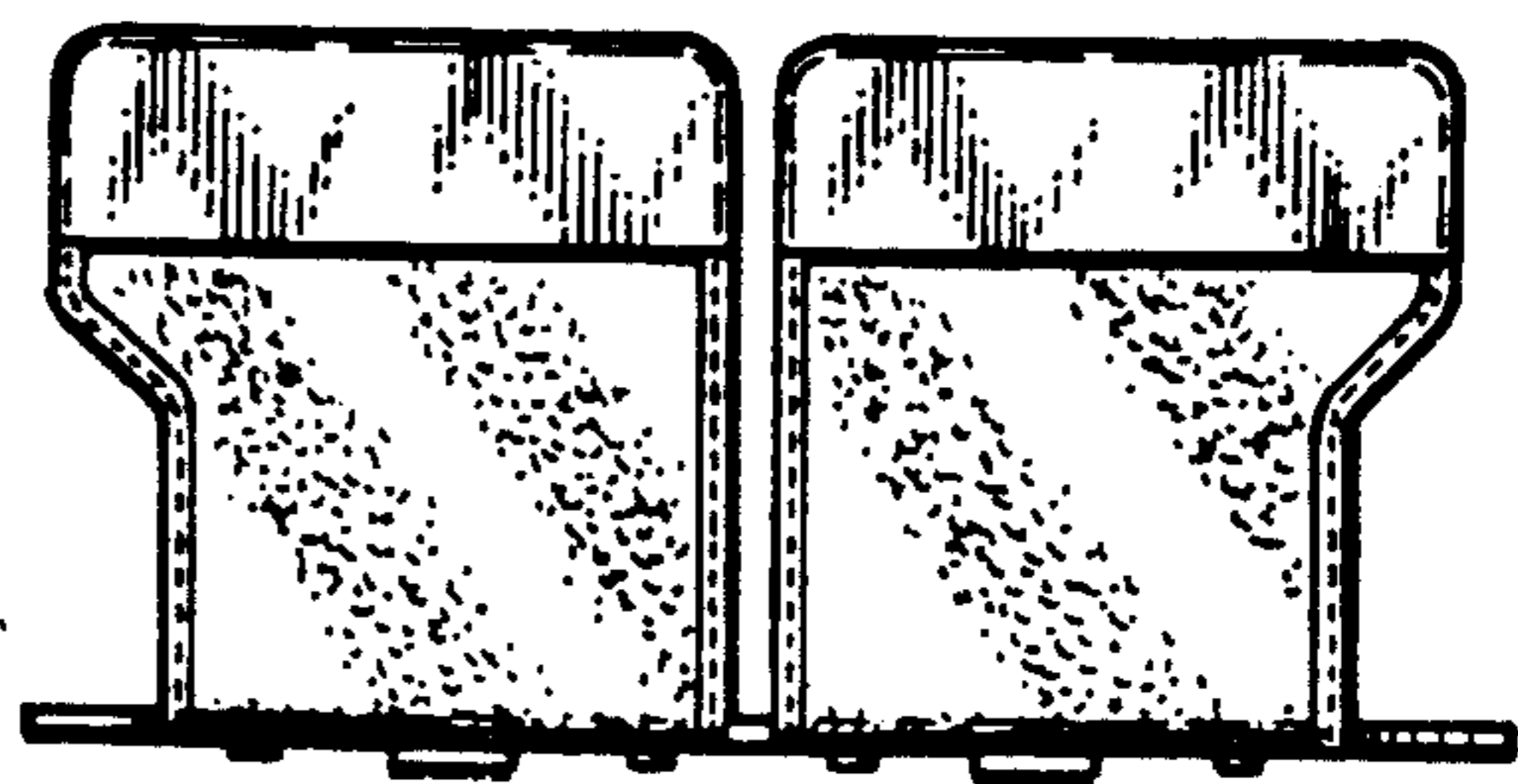


Fig. 7