



US00D344477S

United States Patent [19] Lardo

[11] Patent Number: **Des. 344,477**

[45] Date of Patent: **** Feb. 22, 1994**

[54] TIRE TREAD

[75] Inventor: **Claude Lardo, Luxembourg, Luxembourg**

[73] Assignee: **The Goodyear Tire & Rubber Company, Akron, Ohio**

[**] Term: **14 Years**

[21] Appl. No.: **936,543**

[22] Filed: **Aug. 31, 1992**

[52] U.S. Cl. **D12/146**

[58] Field of Search **152/209 R, 209 D; D12/136, 138, 140, 141, 145-148**

[56] References Cited

U.S. PATENT DOCUMENTS

- D. 298,115 10/1988 Kuroda D12/146
- D. 318,831 8/1991 Guermandi et al. D12/147

OTHER PUBLICATIONS

1991 Tread Design Guide, p. 44, Marshal Power p. 765 Tire, bottom left side of page.

1992 Tread Design Guide, p. 29, Cornell Futura G/T HR (HR Rated) Tire, second row down from top, right side of page.

Primary Examiner—James M. Gandy

Attorney, Agent, or Firm—T. P. Lewandowski

[57] CLAIM

The ornamental design for a tire tread, as shown and described.

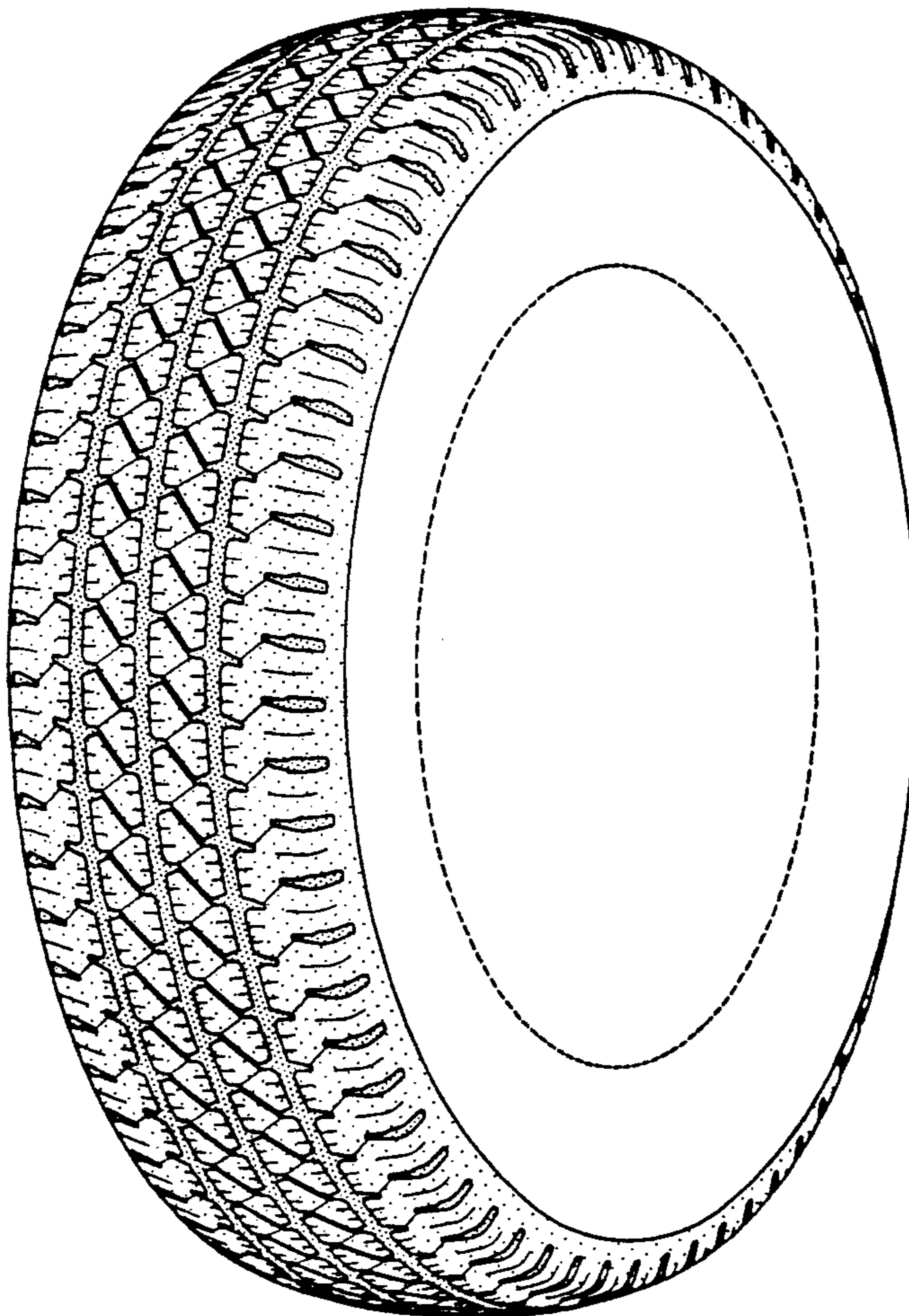
DESCRIPTION

FIG. 1 is a perspective view of a tire tread showing my new design, it being understood that the pattern is repeated throughout the circumference thereof;

FIG. 2 is a front elevational view thereof; and,

FIG. 3 is a side elevational view thereof.

The broken line showing of the tire sidewall in FIGS. 1 and 3 of the drawing is for illustrative purposes only and forms no part of the claimed design.



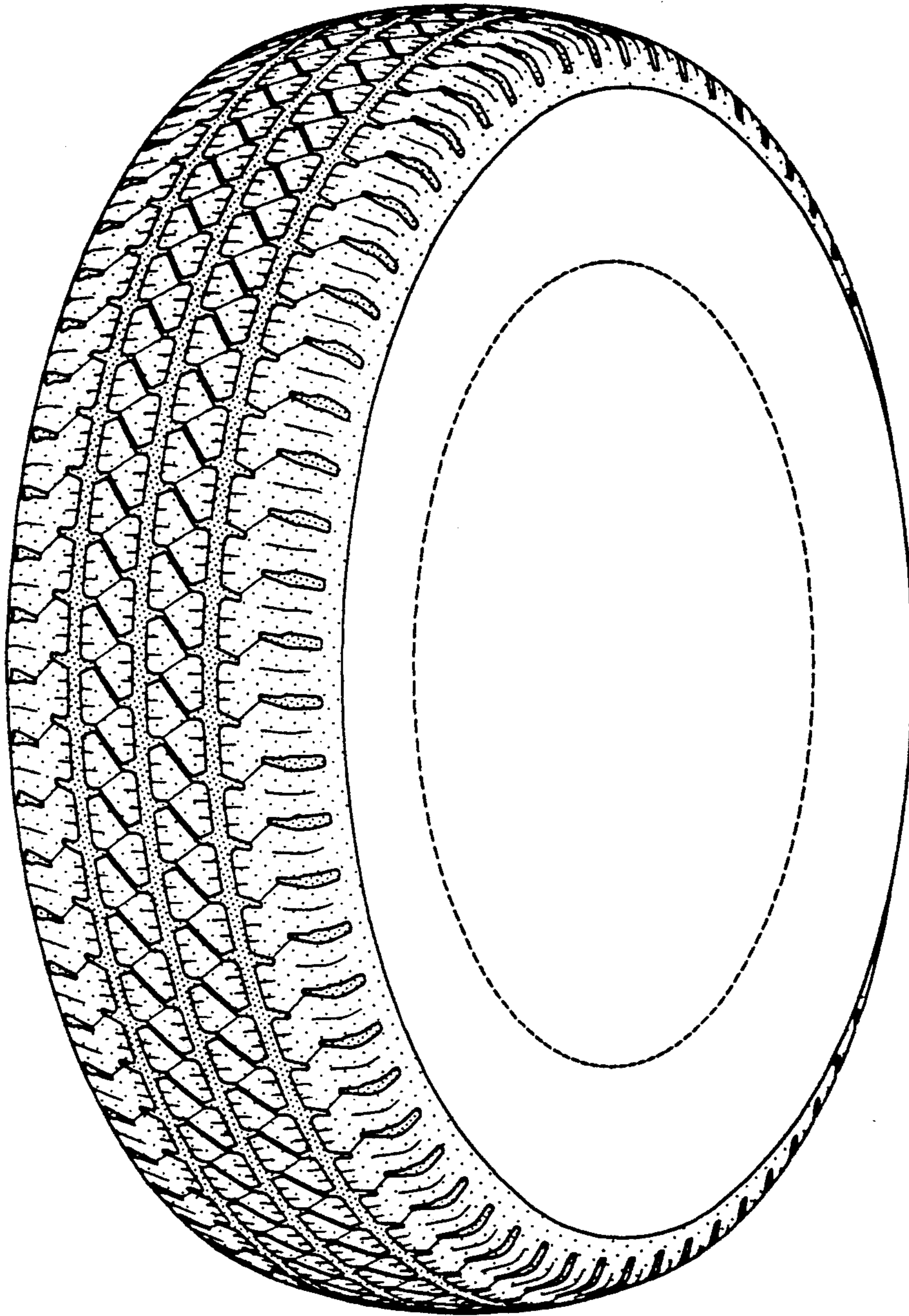


FIG-1

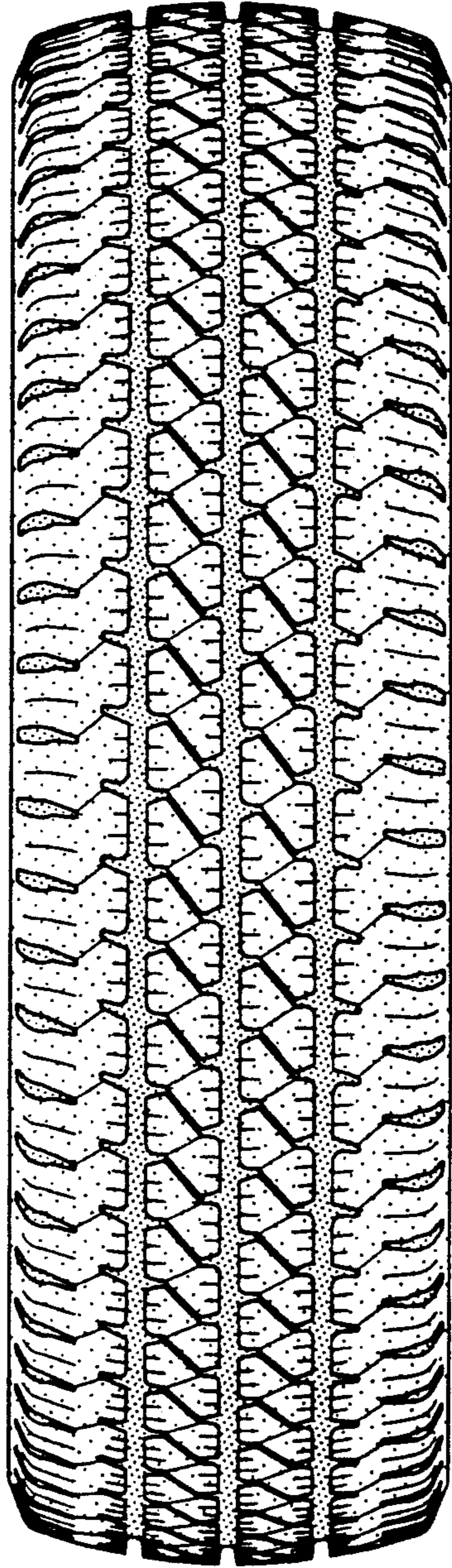


FIG-2

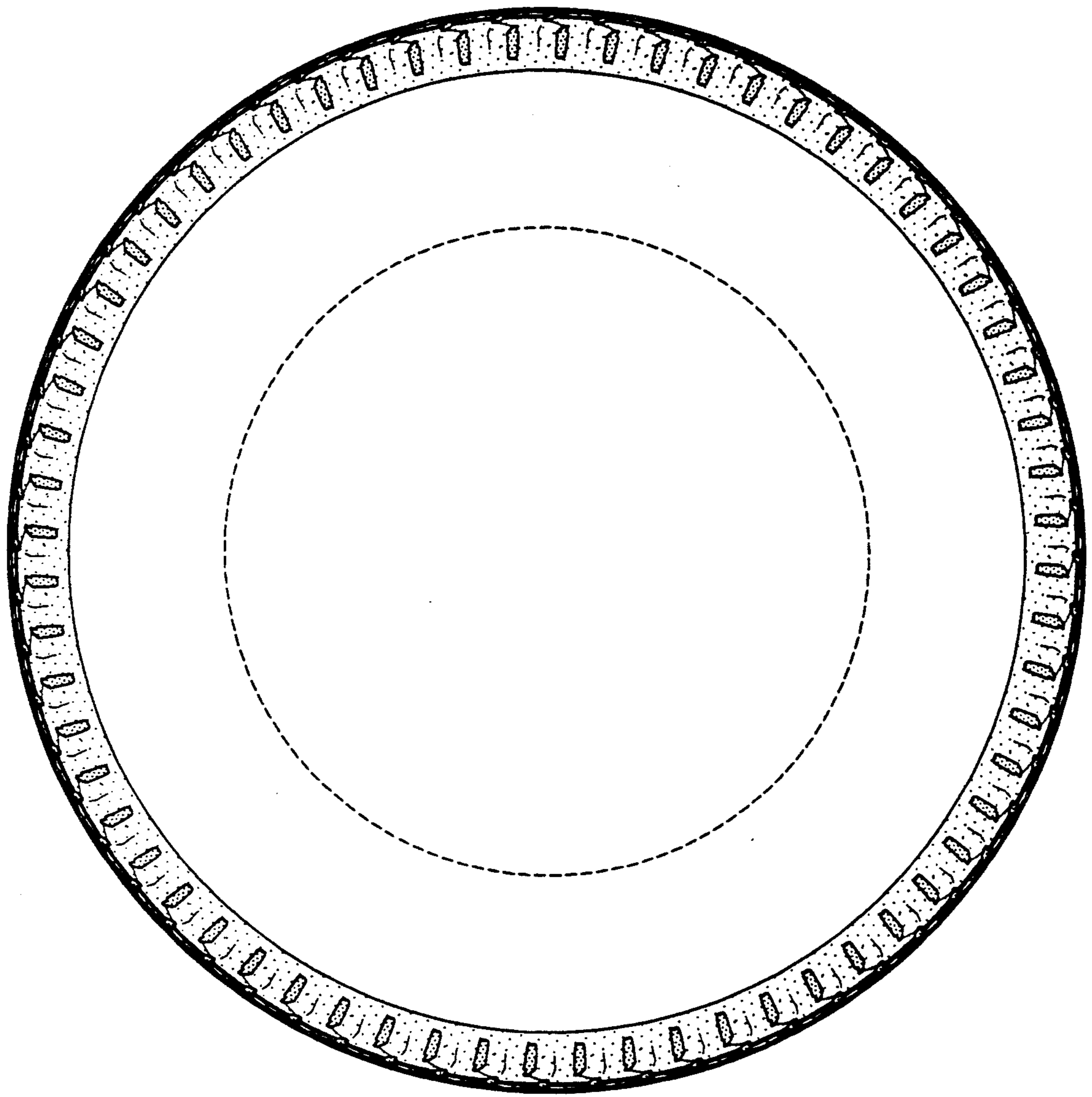


FIG-3